



|  |  |  |  |
|--|--|--|--|
|  | <p><b>4" Duct (Standard):</b><br/>80 CFM/0.8 Sones @ 0.1 SP, 10.5 Watts<br/>64 CFM/1.5 Sones @ 0.25 SP, 12.5 Watts</p> |  |  |
|--|--|--|--|

**Description**

Low noise ceiling/wall mount ventilating fan rated for continuous running. Fan is ENERGY STAR® qualified, HVI, UL, and cUL certified, and can be used to comply with ASHRAE 62.2 (local and whole building continuous and intermittent operation), CA Title 24, and CALGreen requirements.

**DC Motor/Blower**

- Power rating of 120 volts/60Hz
- DC Brushless motor engineered to run continuously
- Motor equipped with thermal cutoff fuse
- Removable with permanently lubricated plug-in motor
- Built-in soft start function to increase bearings' life
- Automatically powers OFF when impeller is locked abnormally
- Self-compensating motor speed for intended airflow when static pressure is encountered

**Housing**

- Galvanized steel body
- Detachable 4" diameter duct adapter
- Built-in back-draft damper
- Hanger bars included
- Easy installation

**Grille**

- Attractive design using ABS material
- Attaches directly to housing with torsion springs

**LED Indicator**

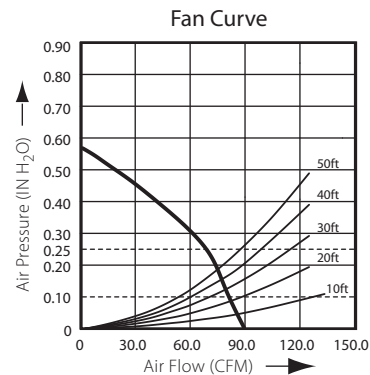
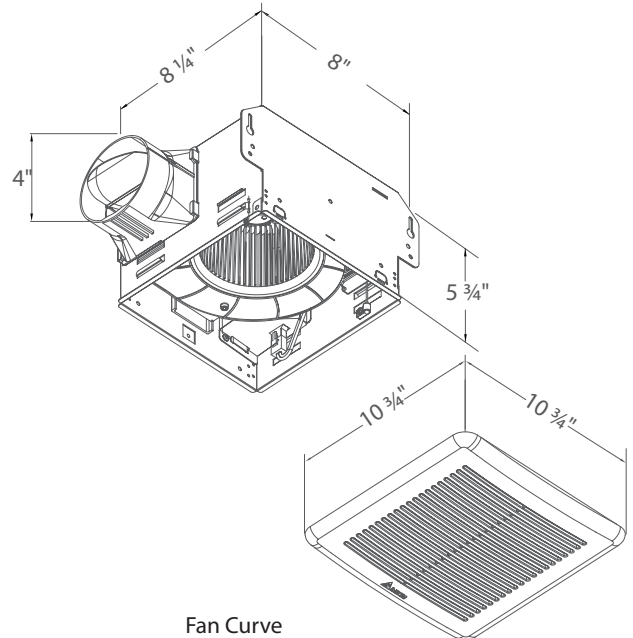
- Turn the power switch on/off to operate on/off.  
LED indicator will be green when power is on

**Warranty**

- 3-year limited warranty

**TYPICAL SPECIFICATION**

Ventilation fan shall be Delta Breez model GBR80; ENERGY STAR qualified with DC brushless motor engineered to run continuously for a minimum 70,000 hours; airflow rating of 80 CFM and loudness rating of 0.8 Sones at 0.1 static pressure as certified by the Home Ventilating Institute (HVI); power consumption of 10.5 Watts with efficiency rating of 7.6 CFM/Watt at 0.1" static pressure; fan will feature LED indicator running light, motor lock protection and self-compensating motor speed for intended airflow when static pressure is encountered. UL and cUL listed for tub/shower enclosure when used with GFCI-protected branch circuit wiring.



| <b>BreezGreenBuilder GBR80</b> | 4" Duct (Standard) |      |
|--------------------------------|--------------------|------|
| Static Pressure (inches w.g.)  | 0.1                | 0.25 |
| Air Flow (CFM)                 | 80                 | 64   |
| Sones                          | 0.8                | 1.5  |
| Power Consumption (Watts)      | 10.5               | 12.5 |
| Energy Efficiency (CFM/Watt)   | 7.6                | 5.1  |
| Current (Amps)                 | 0.21 Max           |      |
| Power Rating (V/Hz)            | 120 / 60           |      |

| Model | Quantity | Comments | Project:      |
|-------|----------|----------|---------------|
|       |          |          | Location:     |
|       |          |          | Architect:    |
|       |          |          | Engineer:     |
|       |          |          | Contractor:   |
|       |          |          | Submitted by: |
|       |          |          | Date:         |