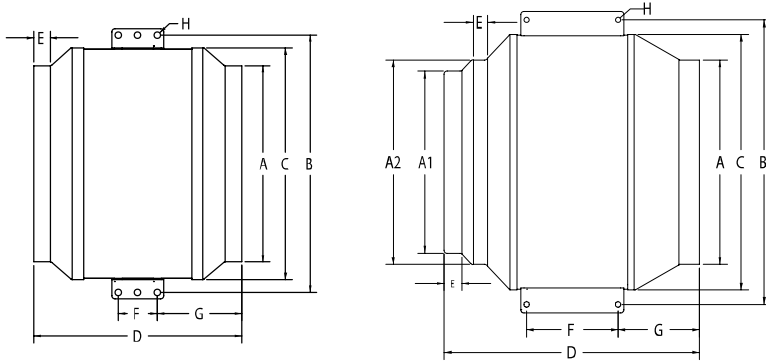


Submittal Sheet

Item #: 450368
Rev Date: 2022-02-14

FKD Series

Inline Centrifugal Fans



STANDARD FEATURES

- Galvanized steel housing with a prewired electrical box
- Powered by external rotor motorized mixed flow impeller
- Permanently lubricated sealed ball bearings
- 100% speed controllable
- Automatic reset thermal overload protection
- Five-year factory warranty



Fantech Inc. certifies that the FKD Series shown herein is licensed to bear the AMCA Seal. The ratings shown are based on tests and procedures performed in accordance with AMCA Publication 211 and AMCA Publication 311 and comply with the requirements of the AMCA Certified Ratings Program.

Model	A	A1	A2	B	C	D	E	F	G	H	Metal Gauge	Weight
FKD 8XL	8	-	-	14	12 1/2	14 5/8	1	2 3/8	6 1/8	3/8	18	15
FKD 10	10	-	-	14	12 1/2	12 1/4	1	2 3/8	5	3/8	18	15
FKD 10XL	10	-	-	15 5/8	14	15	1	2 3/8	6 3/8	3/8	18	21
FKD 12	12	-	-	15 5/8	14	12 1/2	1	2 3/8	5 1/8	3/8	18	20
FKD 12XL	12	12	14	20 3/8	17 7/8	18 7/8	1 3/8	4	8 1/2	3/8	18	38
FKD 14	14	12	14	20 3/8	17 7/8	17 1/4	1 1/4	4	6 3/4	3/8	18	37
FKD 14XL	14	14	15 5/8	22 3/8	19 3/4	20 1/4	1 1/2	4	8 3/4	3/8	18	45
FKD 16	15 5/8	14	15 5/8	22 3/8	19 3/4	18 3/4	1 1/2	4	7 1/8	3/8	18	44
FKD 16XL	15 5/8	15 5/8	17 5/8	24 1/2	22 1/8	23 3/4	1 1/4	7 1/8	8 1/2	1/2	18	75
FKD 18	17 5/8	15 5/8	17 5/8	24 1/2	22 1/8	21 3/4	1 1/4	7 1/8	7	1/2	18	74
FKD 18XL	17 5/8	17 5/8	19 5/8	28 1/2	26	27 1/4	1 3/4	7 1/8	10 1/2	1/2	18	98
FKD 20	19 5/8	17 5/8	19 5/8	28 1/2	26	27 1/4	1 3/4	7 1/8	10 1/2	1/2	18	99

All dimensions in inches. Weights in pounds.

Fan Specifications							Motor Specifications				
Line	Qty	Model No.	Tag	CFM	SP	Fan RPM	Watts	Volts	Phase	Hertz	Encl
1											
2											
3											
4											

Accessory Items	1	2	3	4	Accessory Items	1	2	3	4
<input type="checkbox"/>					<input type="checkbox"/>				
<input type="checkbox"/>					<input type="checkbox"/>				
<input type="checkbox"/>					<input type="checkbox"/>				

Project: _____ Submitted: _____
 Customer: _____ Approved: _____
 Location: _____

United States 10048 Industrial Blvd. • Lenexa, KS 66215 • 1.800.747.1762 • www.fantech.net
 Canada 50 Kanalfakt Way • Bouctouche, NB E4S 3M5 • 1.800.565.3548 • www.fantech.net

Fantech reserves the right to make technical changes.
 For updated documentation please refer to www.fantech.net

