

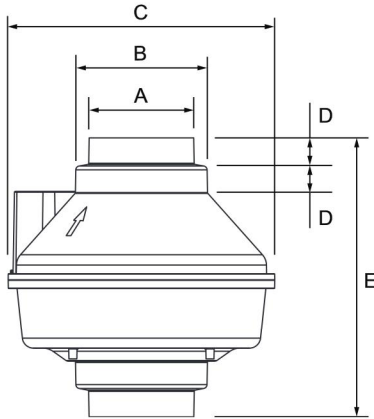
FR Series

Inline Centrifugal Fans

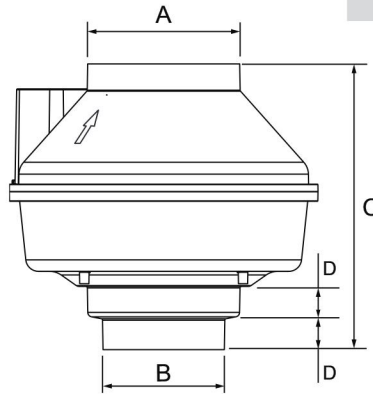


STANDARD FEATURES

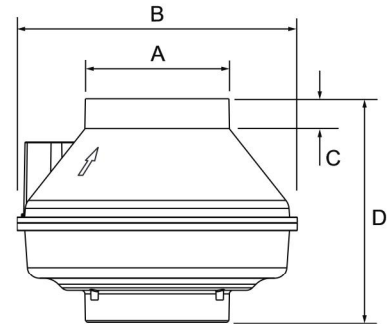
- Airflow up to 650 cfm
- Vibration welded seam ensures leak proof housing
- Approved for wet locations
- Air stream temperatures up to 140°F
- Not designed for nor should be used in radon applications
- Five-year factory warranty



FR 100 / 110 / 200 / 225



FR 125



FR 140 / 150 / 160 / 250

Model	A	B	C	D	E	Weight	ENERGY STAR
FR 100 / 110	3 ³¹ / ₃₂	4 ³¹ / ₃₂	10	1	10 ⁹ / ₁₆	6 / 7	YES / NO
FR 125	5 ³¹ / ₃₂	3 ³¹ / ₃₂	9 ³ / ₈	1	-	6	YES
FR 200 / 225	8	10	13 ¹ / ₄	1 ¹ / ₂	12 ¹ / ₄	10	NO

Model	A	B	C	D	Weight	ENERGY STAR
FR 140 / 150	5 ⁷ / ₈	11 ¹ / ₂	1 ¹ / ₄	9 ¹ / ₄	8	NO / YES
FR 160	5 ⁷ / ₈	11 ¹ / ₂	1 ¹ / ₄	9 ¹ / ₄	8	NO
FR 250	10	13 ¹ / ₄	1 ¹ / ₂	9 ¹ / ₄	12	NO

All dimensions in inches. Weights in pounds.

Fan Specifications							Motor Specifications				
Line	Qty	Model No.	Tag	CFM	SP	Fan RPM	Watts	Volts	Phase	Hertz	Encl
1											
2											
3											
4											

Accessory Items	1	2	3	4	Accessory Items	1	2	3	4

Project: _____ Submitted: _____
 Customer: _____ Approved: _____
 Location: _____

United States 10048 Industrial Blvd. • Lenexa, KS 66215 • 1.800.747.1762 • www.fantech.net
 Canada 50 Kanalfakt Way • Bouctouche, NB E4S 3M5 • 1.800.565.3548 • www.fantech.net

Fantech reserves the right to make technical changes.
 For updated documentation please refer to www.fantech.net

