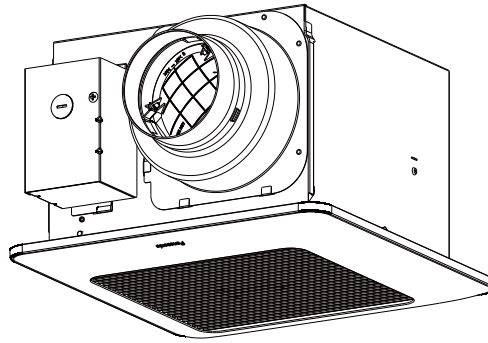


Service Manual

Ventilating Fan
(North America Market)



FV-0511VQ1

⚠ WARNING

This service information is designed for experienced repair technicians only and is not designed for use by the general public. It does not contain warnings or cautions to advise non-technical individuals of potential dangers in attempting to service a product. Products powered by electricity should be serviced or repaired only by experienced professional technicians. Any attempt to service or repair the product or products dealt with in this service information by anyone else could result in serious injury or death.

IMPORTANT SAFETY NOTICE

There are special components used in this equipment which are important for safety. These parts are marked by in the Schematic Diagrams, Exploded Views and Replacement Parts List. It is essential that these critical parts should be replaced with manufacturer's specified parts to prevent shock, fire or other hazards. Do not modify the original design without the manufacturer's approval.

Please have a static electricity depletion process in place before handling these components..

Please use gloves when handling PCB parts during the repair process..

CONTENTS	PAGE
1.Specifiaction	1
2.Parts Identification	2~4
3.Wiring Diagram	5
4.Parts List	6~7

1. Specification

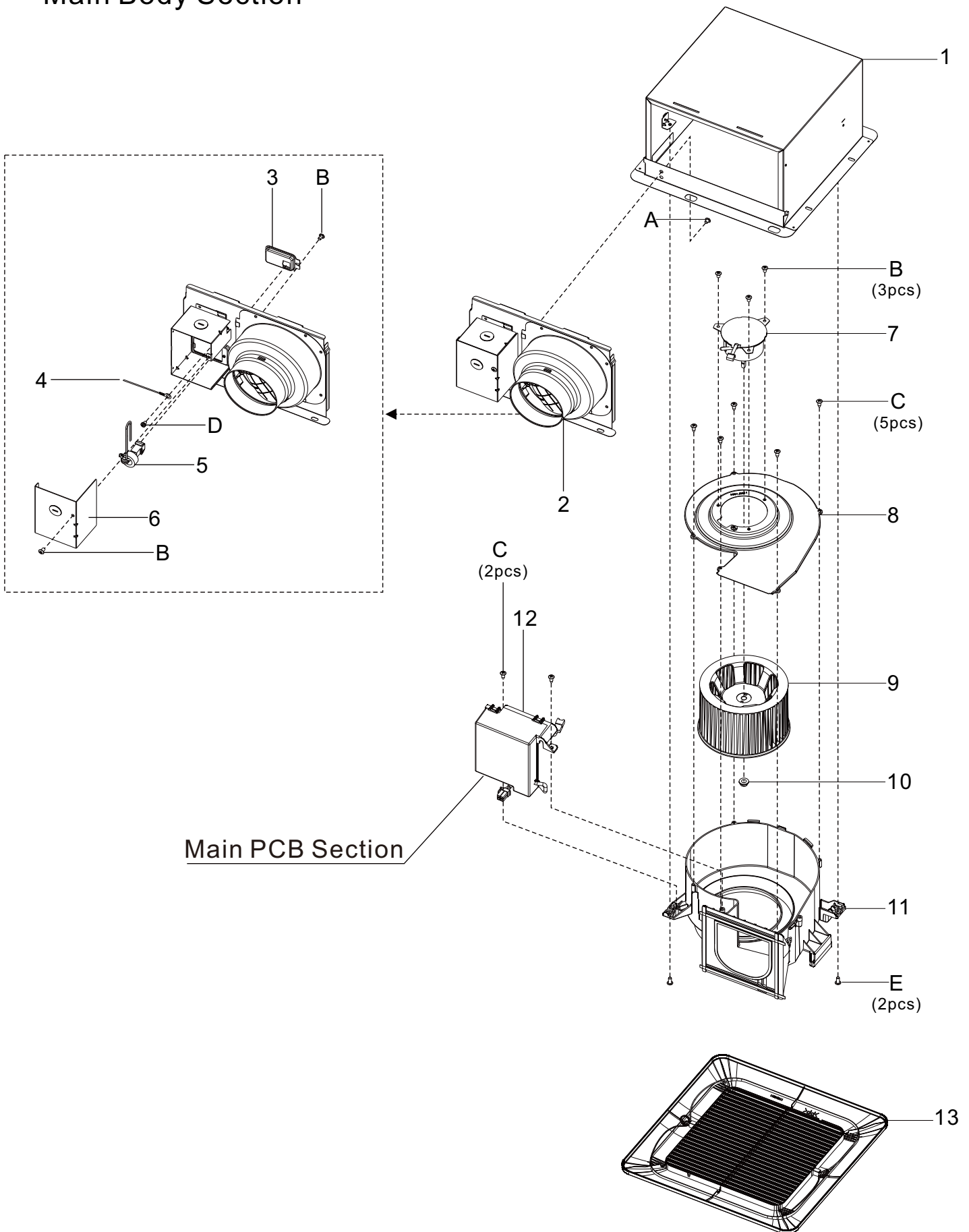
Model No.	Air direction	Voltage (V)	Frequency (Hz)	Duct diameter (Inches)	Air volume at 0.1"WG (CFM)	Noise (sones)	Speed (rpm)	Power (W)	Weight lb. (kg)
FV-0511VQ1	Exhaust	120	60	4 or 6	50	< 0.3	756	4.1	9.3 (4.2)
					80	< 0.3	821	6.0	
					110	< 0.3	957	10.8	

HVI Certified performance based on HVI Procedures 915, 916, and 920.

1. Parts Identification

FV-0511VQ1

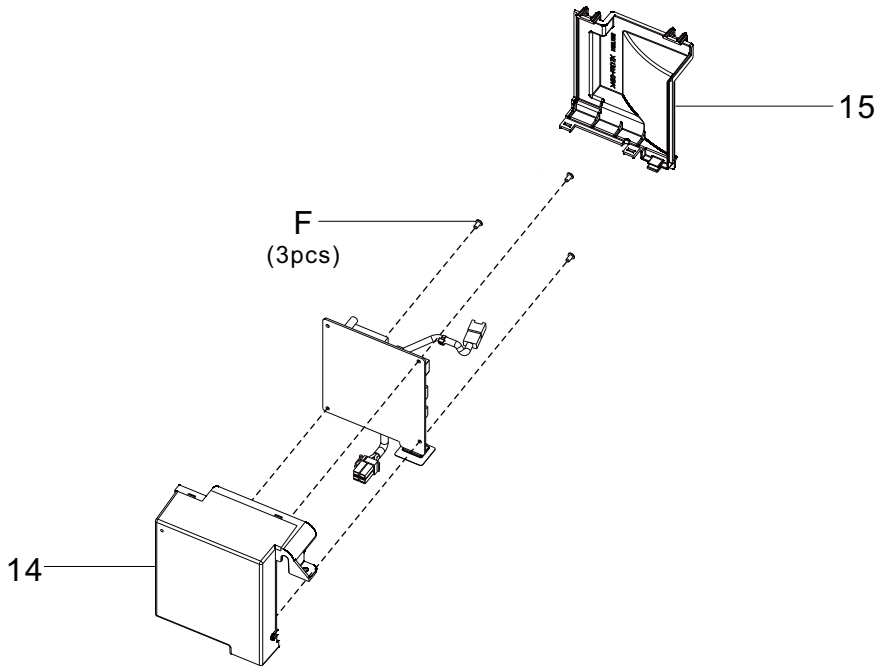
Main Body Section



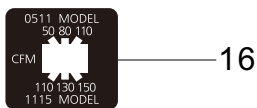
2. Parts Identification

FV-0511VQ1

Main PCB Section



Main Label



WARNING:
 1. Before service or cleaning unit, switch power off at service panel and lock service panel to prevent power from being switched on accidentally.
 2. Acceptable for use over a bathtub or shower when installed in a GFCI protected branch circuit.
CAUTION:
 To reduce the risk of injury to persons, install fan at least 2.1m/7 feet above the floor.
ATTENTION:
 1. Pour l'entretien ou le nettoyage, mettre l'appareil hors tension au niveau de la façade des commandes et du panneau de verrouillage des commandes afin d'éviter toute mise sous tension accidentelle.
 2. Convient pour utilisation au-dessus d'une baignoire ou d'une douche si raccordé à un circuit de dérivation protégé aux normes GFCI.
 3. Afin de réduire les risques de blessures corporelles, installer le ventilateur à au moins 2,1m/7 pieds du sol.

19



For grounding, please keep the screw firmly
 Pour la mise à la terre veuillez visser fermement

20

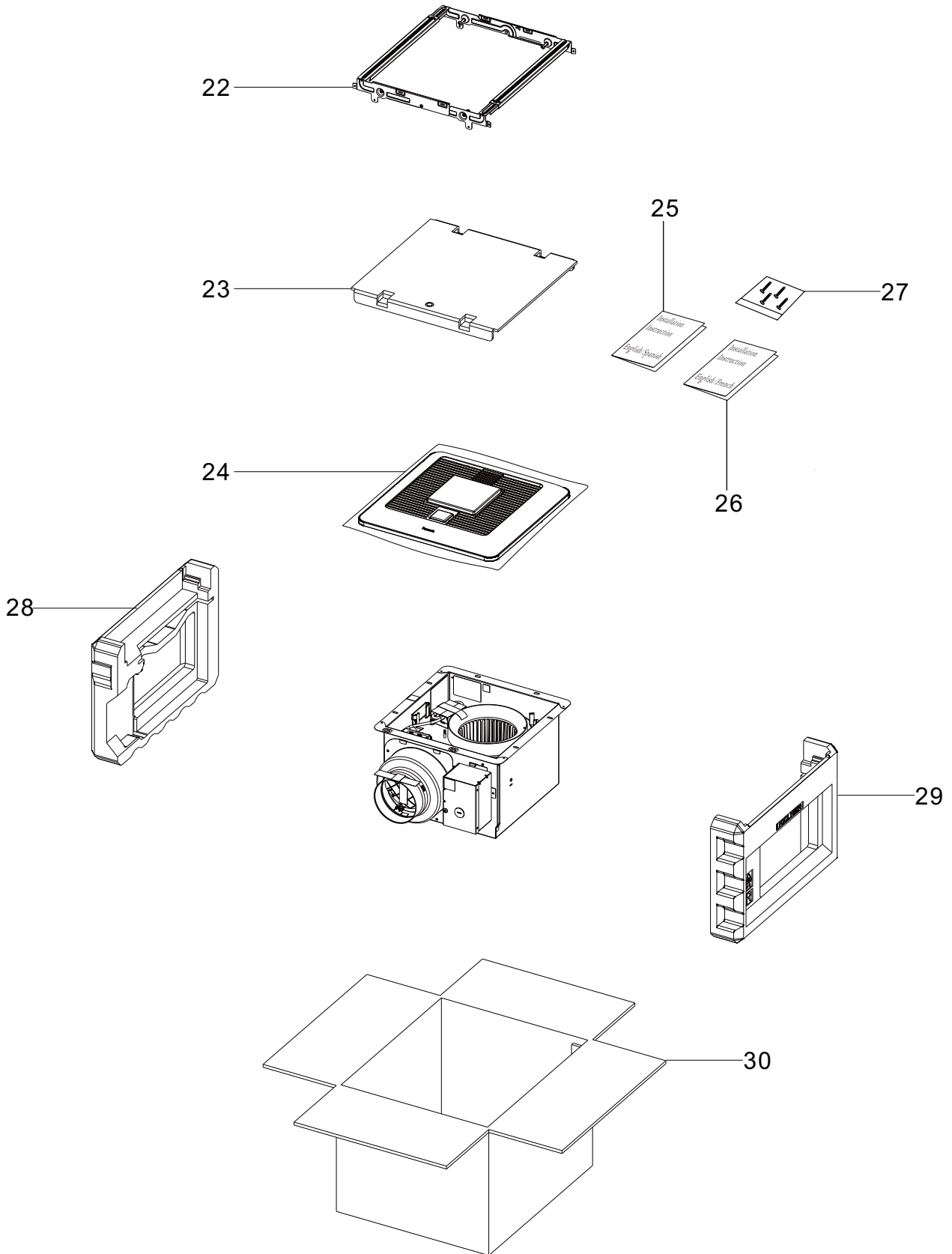
18



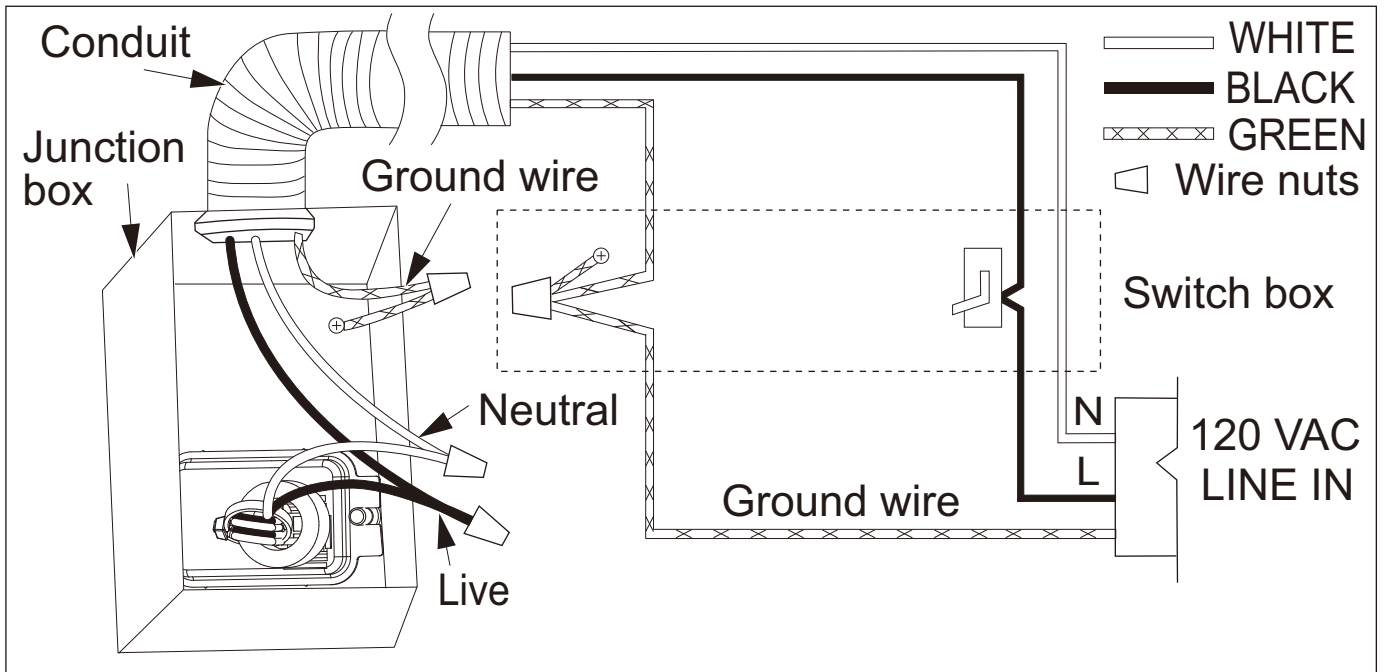
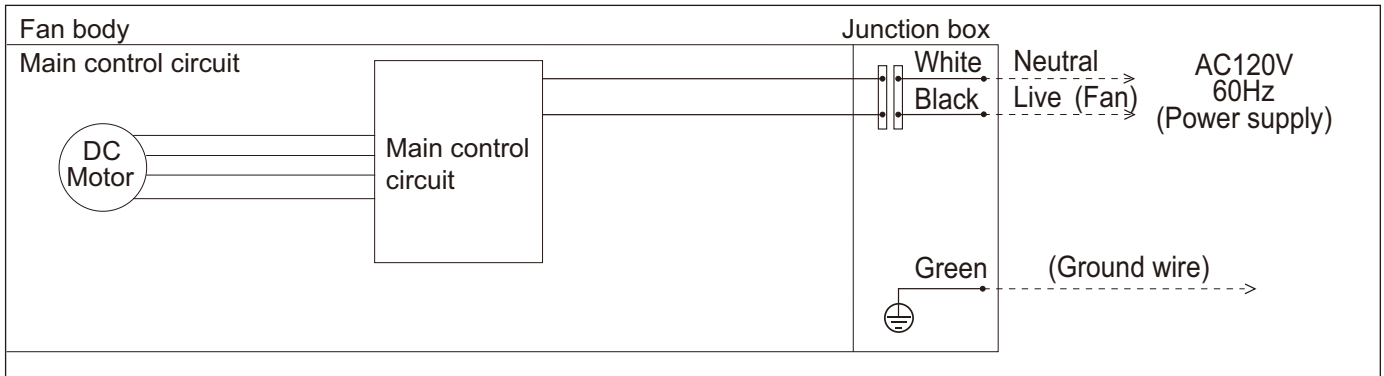
2. Parts Identification

FV-0511VQ1

Packing Section



3. Wiring Diagram



4. Parts List

FV-0511VQ1

Main Body Section

No.	Part No.	Part Name	Q'ty	Remark
1	FFV11QCL1900A	Frame Assembly	1	
2	FFV11VQC1910	Adapter Assembly	1	
3	FFV08VKS3M915	Connector Plate	1	
4	FFV11QCL1331	Ground Wire	1	
5	FFV11QCL1301A	Connector Assy	1	
6	FFV11QCL1912A	Junction Cover	1	
7	FFV11QCL1M20A	Motor	1	
8	FFV11QCL1904C	Motor Support	1	
9	FFVM11KSL1802B	Blade	1	
10	FFV25RG50810A	Nut	1	
11	FFV11QCL1906B	Casing	1	
12	FFV0511VQL1UPCB	Main PCB section	1	
13	FFV1115VQ1A	Grill Assembly	1	
A	FFVXYM4-E8FJ	Screw (M4-8)	1	
B	FFVXTT4-8FFJ	Screw (ST4-8)	5	
C	FFVXTT4-12GFJ	Screw (ST4-12)	7	
D	FFVXYM4DC8BN	Screw w/washer (M4-8)	1	
E	FFVXSB4-12FJ	Screw (M4-12)	2	

Main PCB Section

No.	Part No.	Part Name	Q'ty	Remark
14	FFV15VQ10991D	Main PCB Box	1	
15	FFV11QCL1992C	MAIN PCB Cover	1	
F	FFVXTN3-8GFJ	Screw (M3-8)	3	

4. Parts List

FV-0511VQ1

Main Label

No.	Part No.	Part Name	Q'ty	Remark
16	FFV11QCL1012A	CFM Label	1	
17	FFV11VQ10050	Name Plate	1	
18	FFV08VSL3M082A	Caution Label 1	1	
19	FFV08VQ3M0082A	Caution Label	1	
20	FFV08VQL5M051A	Warning Label	1	
21	FFV11KSL1M020	Holograph Label	1	

Packing Section

No.	Part No.	Part Name	Q'ty	Remark
22	FFV11QCL1920	Hanger Assy	1	
23	FFV08VQ3M0137A	Grill Pad Assy	1	
24	FFV11VK1M0010	Poly Cover	1	
25	FFV15VQ10420A	Installation Inst	1	English / Spanish For USA Market
26	FFV15VQ10421	Installation Inst	1	English / French For CANADA Market
27	FFV11KSL1M031A	Accessory A	1	
28	FFV11QCL1891	Left Pad	1	
29	FFV11QCL1892	Right Pad	1	
30	FFV11VQ10400A	Packing Case Assy	1	