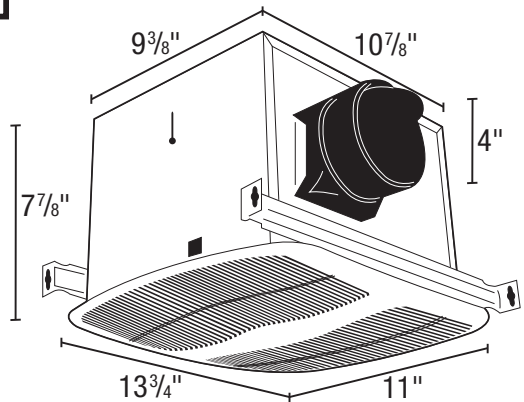




SPECIFICATIONS  
**AK110PN**  
 EXHAUST FAN

**HVI 2100 CERTIFIED** 100 CFM/2.0 Sones @ 0.10" SP.  
 83 CFM @ 0.25 SP.



- **Grill**  
 White, polymeric grill secured in place with torsion springs; easily removed if necessary, dimensions - 11" x 13 3/4".
- **Blower Wheel**  
 One piece polymeric centrifugal blower wheel, 5 7/32" diameter, 2 29/32" wide, with 30 paddles.
- **Motor**  
 Heavy duty, permanently split capacitor, plug-in, 4 pole motor, life time lubrication, suitable for continuous operation. Rated 120 volts, 60 hz.
- **Fan Housing**  
 23 gauge galvanized steel housing.  
 Dimensions: 10 7/8" x 9 3/8" x 7 7/8".
- **Duct Collar**  
 Plastic collar for 4" duct connection, comes complete with built in non-metallic back draft damper for quiet operation.
- **Ventilating Area**  
 For bathrooms up to 100 sq. ft. For other rooms up to 125 sq. ft.
- **Electrical Connections**  
 1/2" electrical knockouts provided.
- **Single Pack Shipping Info**  
 Box Dim Box Dim: 16" x 14 3/8" x 9 7/8"  
 UPC: 0-8316221012-8  
 Shipping Weight: 12 lbs.

Acceptable for use over tub or shower when installed in a GFCI protected branch circuit.



- **Unit Mounting**  
 The housing will mount in ceilings with at least 8" of clearance and through drywall thickness up to 3/4", with a rough-in opening of 11" x 9 1/2". The housing will mount either between 16" or 24" on center joists, using the 4 supplied housing mounting rails. The housing mounting rails can be adapted for overhead mounting (hardware not provided).

| EXPANDED PERFORMANCE  |                                  |      |     |       |      |     |      |               |               |                   |      |
|-----------------------|----------------------------------|------|-----|-------|------|-----|------|---------------|---------------|-------------------|------|
|                       | Static Pressure (inches of w.g.) |      |     |       |      |     |      | Sones @ .1 SP | Fan Speed RPM | Maximum Fan Watts | Amps |
|                       | 0                                | 0.05 | 0.1 | 0.125 | 0.15 | 0.2 | 0.25 |               |               |                   |      |
| <b>Air Flow - CFM</b> | 104                              | 102  | 100 | 99    | 98   | 95  | 83   | 2.0           | 1106          | 26.4              | 0.3  |

| <b>PROJECT</b>    |              |     |         |     |       |      | <b>ARCHITECT</b>    |     |                              |             |  |
|-------------------|--------------|-----|---------|-----|-------|------|---------------------|-----|------------------------------|-------------|--|
| <b>LOCATION</b>   |              |     |         |     |       |      | <b>ENGINEER</b>     |     |                              |             |  |
| <b>CONTRACTOR</b> |              |     |         |     |       |      | <b>SUBMITTED BY</b> |     |                              | <b>DATE</b> |  |
| FAN NUMBER        | MODEL NUMBER | CFM | IN W.G. | RPM | WATTS | AMPS | SONES               | QTY | OPTIONAL EQUIPMENT & REMARKS |             |  |
|                   |              |     |         |     |       |      |                     |     |                              |             |  |



**U.S.:** 820 Lincoln Avenue  
 West Chester, Pennsylvania 19380-4466  
 Tel: (610) 692-7400 • 877-304-3785  
 Fax: (610) 696-8048

**Canada:**  
 Brampton, Ontario  
 Tel: 905-456-2033  
 Fax: (905) 456-1015