



FIRST CO.
P.O. BOX 270969 - DALLAS, TEXAS 75227
PH. (214) 388-5751 | FAX (214) 388-2255
WWW.FIRSTCO.COM

CEILING ACCESS PANELS

Solid or Louvered



CEILING ACCESS PANELS

Steel construction

Captive screws

Louvered or non-louvered



First Co. access panels are available in three different styles and three sizes and are used for service access only (solid) or service/return air (louvered).

CEILING ACCESS PANELS



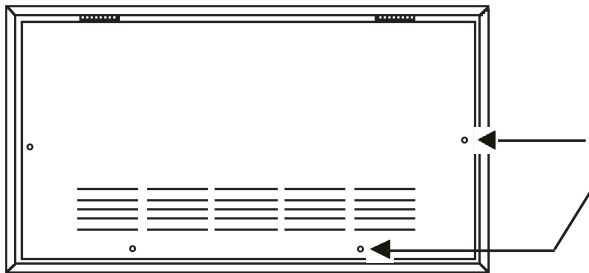
LOUVERED

(965, 966, 967, 967-4, 967-6, 967-8)



SOLID

(965-1, 966-1, 967-1, 963-1, 964-1, 967-5, 967-7)



**captive screws now on all panels
(screws stay in panel when opened)**

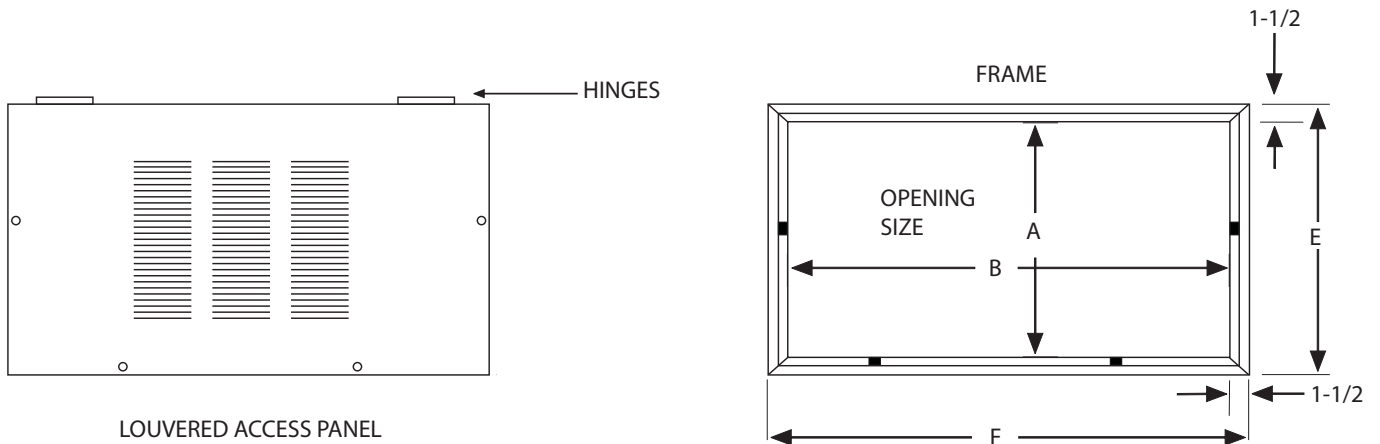
FEATURES:

- 1) **Louvered** models available for bottom return air.
- 2) **Hinged** panel is removable from frame and can be reversed for better clearance.
- 3) **Surface mount** - does not have to perfectly match opening.
- 4) **No frame screws** show after installation.
- 5) Heavy gauge **galvanized steel**.
- 6) Attractive **baked on white epoxy** coating can be latex painted in the field.
- 7) **Filter clips** on 965, 966 and 967, accept a 20 x 20 x 1 field-provided filter. 967-8 accepts 25 x 20 x 1 field-provided filter. 967-4 has a factory installed 10 x 65 x 1 filter (permanent)

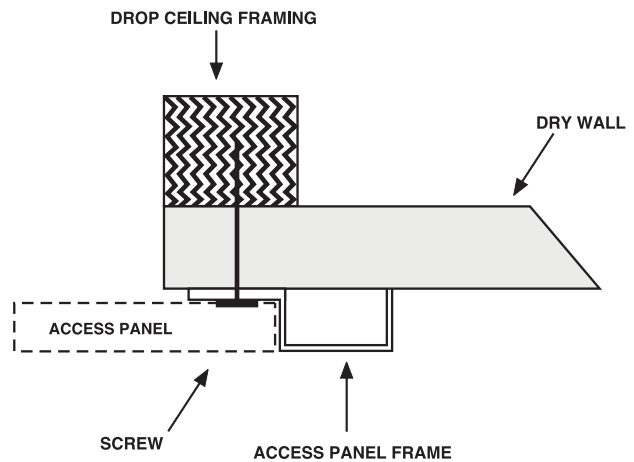
CEILING ACCESS PANELS

PHYSICAL DATA

FOR FIRST CO. FAN COIL MODEL	DESCRIPTION (LOUVERED OR SOLID)	PANEL NUMBER	FRAME DIMENSIONS (OPENING)		FRAME DIMENSIONS (OUTSIDE)	
			A	B	E	F
18,19,24HX(C), 3-6HBC, 3-6PHBC, 3HH-8HH	LOUVERED	965	24-1/2	40	27-1/2	43
	SOLID	965-1				
20,25,30HX(C), 18/19CDX-HW(C), 18/19CDX- Q(C), 8HBC, 8PHBC, 10HH	LOUVERED	966	24-1/2	46	27-1/2	49
	SOLID	966-1				
26,31,36HX(C), 24/25CDX-HW(C), 10HBC, 10PHBC, 12HH, 24/25CDX- Q(C)	LOUVERED	967	24-1/2	52-1/2	27-1/2	55-1/2
	SOLID	967-1				
30CDXQ, 36CDXQ, 13HBC, 13PHBC, 30CDX-HW, 36CDX-HW	LOUVERED	967-4	24-1/2	67	27-1/2	70
	SOLID	967-5				
30CDX-HW-C, 30CDXQ-C 32,37HX(C)	LOUVERED	967-6	24-1/2	60	27-1/2	63
	SOLID	967-7				
36/37CDX-HW-C, 36/37CDXQ-C	LOUVERED	967-8	24-1/2	67	27-1/2	70
	SOLID	967-5				



ACCESS PANEL FRAME INSTALLATION DETAIL



In keeping with its policy of continuous progress and product improvement, First Co. reserves the right to make changes without notice. Maintenance for all First Co. products is available under "Product Maintenance" at www.firstco.com.



FIRST CO.
P.O. BOX 270969 - DALLAS, TEXAS 75227
PH. (214) 388-5751 | SALES@FIRSTCO.COM
WWW.FIRSTCO.COM