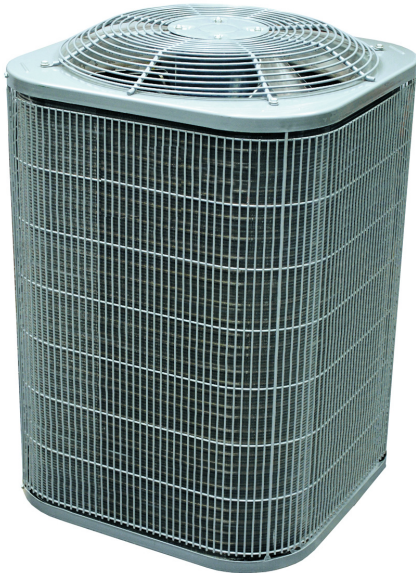


**GA4S**  
**Single-Stage Air Conditioner**  
**with Puron® Refrigerant**  
**1-1/2 To 5 Tons**



**Product**



This unit has been designed utilizing 's Puron refrigerant. The environmentally sound refrigerant allows you to make a responsible decision in the protection of the earth's ozone layer.

**NOTE:** Ratings contained in this document are subject to change at any time. Always refer to the AHRI directory ([www.ahridirectory.org](http://www.ahridirectory.org)) for the most up-to-date ratings information.

**Features / Benefits**

**Efficiency**

- 13.4 - 16.0 SEER2 (13.5 - 16.5 SEER) / 11.0 – 13.5 EER2 (11.0 - 14.5 EER)
- Indoor air quality accessories available

**Reliability**

- Puron refrigerant - environmentally sound, won't deplete the ozone layer and low lifetime service cost.
- Scroll compressor
- Internal pressure relief valve
- Internal thermal overload
- Filter drier

**Durability**

Protection Package:

- Solid, durable sheet metal construction
- Dense wire coil guard

**Applications**

- Long-line – up to 250 feet (76.20 m) total equivalent length, up to 200 feet (60.96 m) condenser above evaporator, or up to 80 ft. (24.4 m) evaporator above condenser (See Long Line Guide for more information.)
- Low ambient cooling (down to 0°F / -18°C ) with approved low ambient accessory kits.

**STANDARD FEATURES**

Features	18	24	30	36	42	48	60
Puron Refrigerant	X	X	X	X	X	X	X
SEER2 (Range depending on indoor combination)	13.4 - 16.0	13.4 - 16.0	13.4 - 16.0	13.4 - 15.0	13.4 - 15.5	13.4 - 15.2	13.4 - 14.0
Scroll Compressor	X	X	X	X	X	X	X
Field Installed Filter Drier	X	X	X	X	X	X	X
Front Seating Service Valves	X	X	X	X	X	X	X
Internal Pressure Relief Valve	X	X	X	X	X	X	X
Internal Thermal Overload	X	X	X	X	X	X	X
Long Line Capability	X	X	X	X	X	X	X
Low Ambient Capability with Kit	X	X	X	X	X	X	X

## MODEL NUMBER NOMENCLATURE

1	2	3	4	5	6	7	8, 9	10	11	12
<b>G</b>	<b>A</b>	<b>5</b>	<b>S</b>	<b>A</b>	<b>N</b>	<b>4</b>	<b>24</b>	<b>0</b>	<b>0</b>	<b>N</b>
<b>Branding</b>	<b>OD Type</b>	<b>SEER2</b>	<b>OD Design Type</b>	<b>Major Series</b>	<b>Voltage</b>	<b>Refrigerant</b>	<b>Nominal Capacity</b>	<b>Feature</b>	<b>Special Feature</b>	<b>Region</b>
<b>G</b> = Generic	<b>A</b> = AC	<b>4</b> = 13.4 SEER2	<b>S</b> =Single-Stage	<b>A-Z</b> = Major Iteration	<b>N</b> = 208-230-1 or 208/230-1 <b>P</b> = 208-230-3 or 208/230-3 <b>E</b> = 460-3	<b>4</b> = R410A	<b>18</b> = 18,000 BTUH (1.5 Tons) <b>24</b> = 24,000 BTUH (2 Tons) <b>30</b> = 30,000 BTUH (2.5 Tons) <b>36</b> = 36,000 BTUH (3 Tons) <b>42</b> = 42,000 BTUH (3.5Tons) <b>48</b> = 48,000 BTUH (4 Tons) <b>60</b> = 60,000 BTUH (5 Tons)	<b>0</b> = Standard	<b>0</b> =Standard	<b>N</b> = Standard North AC

## CATALOG ORDERING NUMBERS

Size	Model Number
18	GA4SAN41800N
24	GA4SAN42400N
30	GA4SAN43000N
36	GA4SAN43600N
42	GA4SAN44200N
48	GA4SAN44800N
60	GA4SAN46000N



Use of the AHRI Certified TM Mark indicates a manufacturer's participation in the program. For verification of certification for individual products, go to [www.ahridirectory.org](http://www.ahridirectory.org).



Quality  
ISO 9001

SAI GLOBAL



## Physical Data

UNIT SIZE	18	24	30	36	42	48	60
<b>Compressor Type</b>	Scroll						
<b>REFRIGERANT</b>	Puron® (R-410A)						
Control	TXV (Puron Hard Shutoff)						
Factory Charge lb (kg)*	5.5 (2.49)	4.40 (2.00)	6.00 (2.72)	5.20 (2.36)	7.90 (3.58)	8.90 (4.04)	9.10 (4.13)
<b>COND FAN</b>	Propeller Type, Direct Drive						
Air Discharge	Vertical						
Air Qty (CFM)	1600	1800	2500	2750	4100	3850	4000
Motor HP	1/12	1/12	1/10	1/5	1/4	1/4	1/4
Motor RPM	1100	1100	1100	1100	1100	1100	1100
<b>COND COIL</b>							
Face Area (Sq ft)	8.4	9.8	17.1	12.9	23.6	15.0	19.3
Fins per In.	25	25	25	20	25	20	20
Rows	1	1	1	1	1	2	2
Circuits	3	5	4	5	7	6	9
<b>VALVE CONNECT. (In. ID)</b>							
Vapor	3/4	3/4	3/4	7/8	7/8	7/8	7/8
Liquid	3/8"						
<b>REFRIGERANT TUBES* (In. OD)</b>							
Rated Vapor†	3/4	3/4	3/4	7/8	7/8	7/8	1-1/8
Rated Liquid Line‡	3/8"						

\*.For 15 ft. lineset

†.Units are rated with 25 ft (7.6 m) of lineset length. See Vapor Line Sizing and Cooling Capacity Loss table when using other sizes and lengths of lineset.

‡.See Liquid Line Sizing For Cooling Only Systems with Puron Refrigerant tables.

Note: See unit Installation Instruction for proper installation.

## REFRIGERANT PIPING LENGTH LIMITATIONS

### Liquid Line Sizing and Maximum Total Equivalent Lengths for Cooling Only Systems with Puron® Refrigerant:

The maximum allowable length of a residential split system depends on the liquid line diameter and vertical separation between indoor and outdoor units.

See Table below for liquid line sizing and maximum lengths :

**Table 1 – Maximum Total Equivalent Length\*  
Outdoor Unit BELOW Indoor Unit**

Size	Liquid Line Connection	Liquid Line Diam. w/ TXV	AC with Puron Refrigerant Maximum Total Equivalent Length†: Outdoor unit BELOW Indoor Vertical Separation ft (m)								
			0-5 (0-1.5)	6-10 (1.8-3.0)	11-20 (3.4-6.1)	21-30 (6.4-9.1)	31-40 (9.4-12.2)	41-50 (12.5-15.2)	51-60 (15.5-18.3)	61-70 (18.6-21.3)	71-80 (21.6-24.4)
18000	3/8	1/4	150	150	125	100	100	75	--	--	--
		5/16	250*	250*	250*	250*	250*	250*	250*	225*	150
		3/8	250*	250*	250*	250*	250*	250*	250*	250*	250*
24000	3/8	1/4	75	75	75	50	50	--	--	--	--
		5/16	250*	250*	250*	250*	250*	225*	175	125	100
		3/8	250*	250*	250*	250*	250*	250*	250*	250*	250*
30000	3/8	1/4	30	--	--	--	--	--	--	--	--
		5/16	175	225*	200	175	125	100	75	--	--
		3/8	250*	250*	250*	250*	250*	250*	250*	250*	250*
36000	3/8	5/16	175	150	150	100	100	100	75	--	--
		3/8	250*	250*	250*	250*	250*	250*	250*	250*	250*
42000	3/8	5/16	125	100	100	75	75	50	--	--	--
		3/8	250*	250*	250*	250*	250*	250*	250*	250*	150
48000	3/8	3/8	250*	250*	250*	250*	250*	250*	230	160	--
60000	3/8	3/8	250*	250*	250*	225*	190	150	110	--	--

\*.Maximum actual length not to exceed 200 ft (61 m)

†.Total equivalent length accounts for losses due to elbows or fitting. See the Long Line Guideline for details.

-- = outside acceptable range

**Table 2 – Maximum\* Total Equivalent Length  
Outdoor Unit ABOVE Indoor Unit**

Size	Liquid Line Connection	Liquid Line Diam. w/ TXV	AC with Puron Refrigerant Maximum Total Equivalent Length†: Outdoor unit ABOVE Indoor Vertical Separation ft (m)								
			25 (7.6)	26-50 (7.9-15.2)	51-75 (15.5-22.9)	76-100 (23.2-30.5)	101-125 (30.8-38.1)	126-150 (38.4-45.7)	151-175 (46.0-53.3)	176-200 (53.6-61.0)	
18000	3/8	1/4	175	250*	250*	250*	250*	250*	250*	250*	250*
		5/16	250*	250*	250*	250*	250*	250*	250*	250*	250*
		3/8	250*	250*	250*	250*	250*	250*	250*	250*	250*
24000	3/8	1/4	100	125	175	200	225*	250*	250*	250*	250*
		5/16	250*	250*	250*	250*	250*	250*	250*	250*	250*
		3/8	250*	250*	250*	250*	250*	250*	250*	250*	250*
30000	3/8	1/4	30	--	--	--	--	--	--	--	--
		5/16	250*	250*	250*	250*	250*	250*	250*	250*	250*
		3/8	250*	250*	250*	250*	250*	250*	250*	250*	250*
36000	3/8	5/16	225*	250*	250*	250*	250*	250*	250*	250*	250*
		3/8	250*	250*	250*	250*	250*	250*	250*	250*	250*
42000	3/8	5/16	175	200	250*	250*	250*	250*	250*	250*	250*
		3/8	250*	250*	250*	250*	250*	250*	250*	250*	250*
48000	3/8	3/8	250*	250*	250*	250*	250*	250*	250*	250*	250*
60000	3/8	3/8	250*	250*	250*	250*	250*	250*	250*	250*	250*

\*.Maximum actual length not to exceed 200 ft (61 m)

†.Total equivalent length accounts for losses due to elbows or fitting. See the Long Line Guideline for details.

-- = Outside acceptable range

**Table 3 – Refrigerant Charge Adjustments**

Liquid Line Size	Puron Charge oz/ft (g/m)
3/8	0.60 (17.74) (Factory charge for lineset = 9 oz / 266.16 g)
5/16	0.40 (11.83)
1/4	0.27 (7.98)

Units are factory charged for 15 ft (4.6 m) of 3/8" liquid line. The factory charge for 3/8" lineset 9 oz.(266.16 g). When using other length or diameter liquid lines, charge adjustments are required per the chart above.

**Charging Formula:**

[(Lineset oz/ft X total length) – (factory charge for lineset)] = charge adjustment

**Example 1:** System has 15 ft of lineset\* using existing 1/4" liquid line. What charge adjustment is required?

Formula:(.27 oz/ft X 15ft) – (9 oz) = (-4.95) oz.

Net result is to remove 4.95 oz of refrigerant from the system

**Example 2:** System has 45 ft of existing 5/16" liquid line. What is the charge adjustment?

Formula:(.40 oz/ft. X 45ft) – (9 oz.) = 9 oz.

Net result is to add 9 oz of refrigerant to the system

**NOTE:** Conditions must be favorable for charging by subcooling method. Indoor temperature must be 70°F to 80°F (21°C to 27°C), and outdoor temperature must be 70°F to 100°F (21°C to 38°C). If outside these conditions, adjust charge for long linesets by weigh-in method.

\* When applicable. Refer to Physical Data Table in this PD and to the Installation Instructions for more information.

**Long Line Applications**

An application is considered Long Line, when the refrigerant level in the system requires the use of accessories to maintain acceptable refrigerant management for systems reliability. See Accessory Usage Guideline table for required accessories. Defining a system as long line depends on the liquid line diameter, actual length of the tubing, and vertical separation between the indoor and outdoor units.

For Air Conditioner systems, the chart below shows when an application is considered Long Line.

**Table 4 – AC with Puron® Refrigerant Long Line Description ft (m) Beyond these lengths, a TXV is required**

Total Length	Outdoor Unit Above or Below Indoor Unit
TXV required beyond 50 ft. (15.2 m)	TXV required beyond 20 ft. (6.1 m)

**Table 5 – AC with Puron® Refrigerant Long Line Description ft (m) (Beyond these lengths, long line accessories are required)**

Liquid Line Size	Units On Same Level	Outdoor Below Indoor	Outdoor Above Indoor
1/4 + TXV	No accessories needed within allowed lengths	No accessories needed within allowed lengths	175 (53.3)
5/16 + TXV	120 (36.6)	50 (15.2) vertical or 120 (36.6) total	120 (36.6)
3/8 + TXV	80 (24.4)	35 (10.7) vertical or 80 (24.4) total	80 (24.4)

Note: See Residential Piping and Long Line Guideline for details

## VAPOR LINE SIZING AND COOLING CAPACITY LOSS

Acceptable vapor line diameters provide adequate oil return to the compressor while avoiding excessive capacity loss. The suction line diameters shown in the chart below are acceptable for AC systems with **Puron®** refrigerant:

**Table 6 – Vapor Line Sizing and Cooling Capacity Losses — Puron® Refrigerant 1-Stage Air Conditioner Applications**

Unit Nominal Size (Btuh)	Maximum Liquid Line Diameters (In. OD)	Vapor Line Diameters (In. OD)	Cooling Capacity Loss (%) Total Equivalent Line Length ft. (m) 1-Stage AC with								
			26-50 (7.9-15.2)	51-80 (15.5-24.4)	81-100 (24.7-30.5)	101-125 (30.8-38.1)	126-150 (38.4-45.7)	151-175 (46.0-53.3)	176-200 (53.6-61.0)	201-225 (61.3-68.6)	226-250 (68.9-76.2)
			18	3/8	1/2	1	2	3	5	6	7
		5/8	0	1	1	1	2	2	2	3	3
		3/4	0	0	0	0	1	1	1	1	1
24	3/8	5/8	0	1	2	2	3	3	4	5	5
		3/4	0	0	1	1	1	1	1	2	2
		7/8	0	0	0	0	0	1	1	1	1
30	3/8	5/8	1	2	3	3	4	5	6	7	8
		3/4	0	0	1	1	1	2	2	2	3
		7/8	0	0	0	0	1	1	1	1	1
36	3/8	5/8	1	2	4	5	6	8	9	10	12
		3/4	0	1	1	2	2	3	3	4	4
		7/8	0	0	0	1	1	1	1	2	2
42	3/8	3/4	0	1	2	2	3	4	4	5	6
		7/8	0	0	1	1	1	2	2	2	3
		1 1/8	0	0	0	0	0	0	0	0	0
48	3/8	3/4	0	1	2	3	4	5	5	6	7
		7/8	0	0	1	1	2	2	2	3	3
		1 1/8	0	0	0	0	0	0	0	1	1
60	3/8	3/4	1	2	4	5	6	7	9	10	11
		7/8	0	1	2	2	3	4	4	5	5
		1 1/8	0	0	0	1	1	1	1	1	1

Applications in this area may be long line and may have height restrictions. See the Residential Piping and Long Line Guideline.

**ACCESSORIES**

<b>KIT NUMBER</b>	<b>KIT NAME</b>	<b>18</b>	<b>24</b>	<b>30</b>	<b>36</b>	<b>42</b>	<b>48</b>	<b>60</b>
KSAFT0101AAA	FRZ THERM KIT	X	X	X	X	X	X	X
KAATD0101TDR	TIME DELAY KIT (90 second TDR)	X	X	X	X	X	X	X
KAATD0201TDR	TIME DELAY KIT (30 second TDR)	X	X	X	X	X	X	X
KSALA0301410	LOW AMBIENT COOLING KIT	X	X	X	X	X	X	X
KSALA1001AAA	MOTORMASTER KIT	X	X	X	X	X	X	X
KSAHS2501AAA	HARD START KIT	X	X	X	X	X	X	X
KSACY0101AAA	CYCLE PROTR KIT	X	X	X	X	X	X	X
KSASF0201AAA	SPRT FEET KIT	X	X	X	X	X	X	X
KAALS0201LLS*	SOL VALVE KIT	X	X	X	X	X	X	X
KAAWS0101AAA	WINTER ST KIT	X	X	X	X	X	X	X
KAALP0401PUR	LOW PRESSURE SW KIT	X	X	X	X	X	X	X
KAAHI0501PUR	HIGH PRESSURE SW KIT	X	X	X	X	X	X	X
KAACH1701AAA	CRKC HTR KIT	X	X	X	X			
KAACH1601AAA	CRKC HTR KIT					X	X	X
KSATX0201PUR	TXV KIT (For use with copper coils)	X	X	X				
KSATX0301PUR	TXV KIT (For use with copper coils)				X	X		
KSATX0401PUR	TXV KIT (For use with copper coils)						X	X
KSBTX0201PUR	TXV KIT (For use with aluminum coils)	X	X	X				
KSBTX0301PUR	TXV KIT (For use with aluminum coils)				X	X		
KSBTX0401PUR	TXV KIT (For use with aluminum coils)						X	X
KSASH2301COP	SOUND BLKT KIT	X	X	X	X			
KSASH2401COP	SOUND BLKT KIT					X	X	X

X = Accessory

## ACCESSORY USAGE GUIDELINE

ACCESSORY	REQUIRED FOR LOW-AMBIENT COOLING APPLICATIONS (Below 55°F/12.8°C)	REQUIRED FOR LONG LINE APPLICATIONS*	REQUIRED FOR SEA COAST APPLICATIONS (Within 2 miles/3.22 km)
Ball Bearing Fan Motor	Standard	Standard	Standard
Compressor Start Assist Capacitor and Relay	Yes	Yes	No
Crankcase Heater	Yes	Yes	No
Evaporator Freeze Thermostat	Yes	No	No
Hard Shut-Off TXV	Yes	Yes	No
Liquid Line Solenoid Valve	No	See Long Line Guideline	No
MotorMaster® Control or Low-ambient Pressure Switch	Yes	No	No
Support Feet	Recommended	No	Recommended
Winter Start Control	Yes†	No	No

\*.For tubing set lengths between 80 and 200 ft. (24 and 61 m) horizontal or 35 ft. (10.7 m) vertical differential (total equivalent length), refer to the Residential Split-System Long Line Application Guideline.

†.Required if Low Pressure Switch is factory or field installed.

### Accessory Description and Usage (Listed Alphabetically)

#### 1. Ball-Bearing Fan Motor

A fan motor with ball bearings which permits speed reduction while maintaining bearing lubrication.

Usage Guideline:

Required on all units when MotorMaster® is used.

#### 2. Compressor Start Assist - Capacitor and Relay

Start capacitor and relay gives a "hard" boost to compressor motor at each start up.

Usage Guideline:

Required for single-phase scroll compressors in the following applications:

Long line

Low ambient cooling

Suggested for all compressors in areas with a history of low voltage problems.

#### 3. Crankcase Heater

An electric resistance heater which mounts to the base of the compressor to keep the lubricant warm during off cycles. Improves compressor lubrication on restart and minimizes the chance of liquid slugging.

Usage Guideline:

Required in low ambient cooling applications.

Required in long line applications.

Suggested in all commercial applications.

#### 4. Cycle Protector

The cycle protector is designed to prevent compressor short cycling. This control provides an approximate 5-minute delay after power to the compressor has been interrupted for any reason, including power outage, protector control trip, thermostat jiggling, or normal cycling.

#### 5. Evaporator Freeze Thermostat

An SPST temperature-actuated switch that stops unit operation when evaporator reaches freeze-up conditions.

Usage Guideline:

Required when low ambient kit has been added.

#### 6. Low-Ambient Pressure Switch Kit

A long life pressure switch which is mounted to outdoor unit service valve. It is designed to cycle the outdoor fan motor in order to maintain head pressure within normal operating limits (approximately 100 psig to 225 psig). The control will maintain working head pressure at low-ambient temperatures down to 0°F (-18°C) when properly installed and also using wind baffles. Instructions provided in accessory kit.

Usage Guideline:

A Low-Ambient Pressure Switch or MotorMaster® Low-Ambient Controller must be used when cooling operation is used at outdoor temperatures below 55°F (12.8°C).

#### 7. MotorMaster® Low-Ambient Controller

A fan-speed control device activated by a temperature sensor, designed to control condenser fan motor speed in response to the saturated, condensing temperature during operation in cooling mode only. For outdoor temperatures down to -10°F/-23.3°C, it maintains condensing temperature at 100°F ±10°F (37.8°C ±5.5°C).

Usage Guideline:

A MotorMaster® Low Ambient Controller or Low-Ambient Pressure Switch must be used when cooling operation is used at outdoor temperatures below 55°F (12.8°C).

Suggested for all commercial applications.

#### 8. Outdoor Air Temperature Sensor

This device enables the thermostat to display the outdoor temperature. This device is also required to enable special thermostat features such as auxiliary heat lock out.

Usage Guideline:

Suggested for use with compatible thermostats.

#### 9. Sound Hood

Wraparound sound reducing cover for the compressor. Reduces the sound level of the compressor.

Usage Guideline:

Suggested when unit is installed closer than 15 ft (4.57 m) to quiet areas, bedrooms, etc.

Suggested when unit is installed between two houses less than 10 ft (3 m) apart.

## Accessory Description and Usage (Listed Alphabetically) Continued

### 10. Support Feet

Four or five stick-on plastic feet that raise the unit 4 in. (101.6 mm) above the mounting pad. This allows sand, dirt, and other debris to be flushed from the unit base, minimizing corrosion.

Usage Guideline:

Suggested in the following applications:

- Coastal installations.
- Windy areas or where debris is normally circulating.
- Rooftop installations.
- For improved sound ratings.

### 11. Thermostatic Expansion Valve (TXV)

A modulating flow-control valve which meters refrigerant liquid flow rate into the evaporator in response to the superheat of the refrigerant gas leaving the evaporator.

Kit includes valve, adapter tubes, and external equalizer tube. Hard shut off types are available.

Usage Guideline:

- Required to achieve AHRI ratings in certain equipment combinations. Refer to combination ratings.
- Hard shut off TXV or LLS required in air conditioner long line applications.
- Required for use on all zoning systems.

### 12. Time-Delay Relay

An SPST delay relay which briefly continues operation of indoor blower motor to provide additional cooling after the compressor cycles off.

**NOTE:** Most indoor unit controls include this feature. For those that do not, use the guideline below.

Usage Guideline:

For improved efficiency ratings for certain combinations of indoor and outdoor units. Refer to AHRI Directory of Certified Product Performance (AHRI Directory).

When a Time-Delay Relay (TDR) is called for in the AHRI Directory, use a 30 second TDR for MicroChannel Indoor units and use a 90 second TDR for Round Tube Plate Fin Indoor units.

### 13. Winter Start Control

This control is designed to alleviate nuisance opening of the low-pressure switch by bypassing it for the first 3 minutes of operation.



## AHRI RATINGS

For AHRI ratings certificates, please refer to the AHRI directory [www.ahridirectory.org](http://www.ahridirectory.org)

Additional ratings and system combinations can be accessed via the Ratings Database here: [wMyBryantRatings](#)

## Electrical Data

UNIT SIZE	V/PH	OPER VOLTS*		COMPR		FAN	MCA	MAX FUSE† or CKT BRK AMPS
		MAX	MIN	LRA	RLA	FLA		
18	208-230/1	253	197	48.0	8.00	0.40	10.4	15
24				59.5	11.70	0.50	15.1	25
30				64.3	11.80	0.75	15.6	25
36				80.1	12.20	1.05	16.4	25
42				110.2	17.70	1.40	23.5	40
48				124.0	18.50	1.40	24.5	40
60				150.0	25.60	1.52	33.5	50

\*.Permissible limits of the voltage range at which the unit will operate satisfactorily

†.Time-Delay fuse.

FLA- Full Load Amps

LRA - Locked Rotor Amps

MCA- Minimum Circuit Amps

RLA- Rated Load Amps

NOTE:Control circuit is 24V on all units and requires external power source. Copper wire must be used from service disconnect to unit.

All motors/compressors contain internal overload protection.

Complies with requirements of ASHRAE Standards 90.1

## Sound Power Level without sound shield

UNIT SIZE	STANDARD RATING (dBA)	TYPICAL OCTAVE BAND SPECTRUM (without tone adjustment) (dB)						
		125	250	500	1000	2000	4000	8000
18	75	68.9	65.3	65.6	71.4	68.4	63.8	61.2
24	74	66.9	72.6	70.0	70.7	66.6	62.7	59.2
30	73	69.5	68.9	68.9	68.5	62.8	60.0	57.4
36	75	70.8	73.6	71.5	69.5	66.1	63.6	58.1
42	73	73.9	72.6	70.3	68.2	64.3	61.2	57.3
48	76	72.3	74.1	71.2	70.6	63.8	61.6	55.9
60	76	70.0	75.0	71.9	73.7	66.0	61.7	56.3

NOTE: Tested in compliance with AHRI 270 but not listed with AHRI.

## Sound Power Level with Accessory sound shield

UNIT SIZE	STANDARD RATING (dBA)	TYPICAL OCTAVE BAND SPECTRUM (without tone adjustment) (dB)						
		125	250	500	1000	2000	4000	8000
18	75	66.4	67.0	66.1	71.5	66.6	62.5	61.1
24	74	68.4	72.2	70.4	70.2	66.0	62.3	58.5
30	72	69.3	69.7	68.8	68.0	62.4	59.5	55.7
36	75	71.0	73.7	71.2	69.0	65.4	63.0	57.7
42	73	75.3	71.7	70.0	68.1	63.9	60.2	55.3
48	74	73.3	74.2	71.6	69.9	63.8	60.4	54.7
60	75	70.2	73.9	71.8	72.4	64.2	60.4	54.6

NOTE: Tested in compliance with AHRI 270 but not listed with AHRI.

## Charging Subcooling (TXV-Type Expansion Device)

UNIT SIZE	REQUIRED SUBCOOLING (F)	Indoor
18	14	TXV
24	10	
30	10	
36	10	
42	11	
48	12	
60	12	

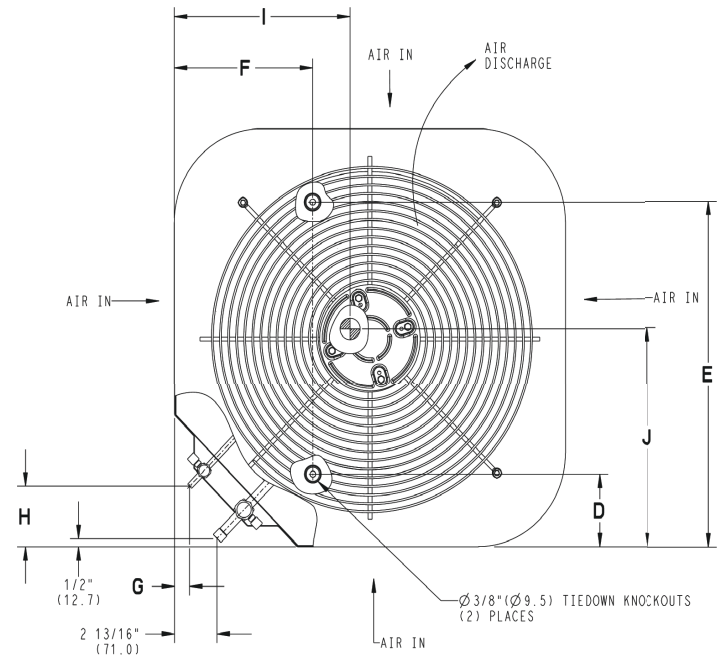
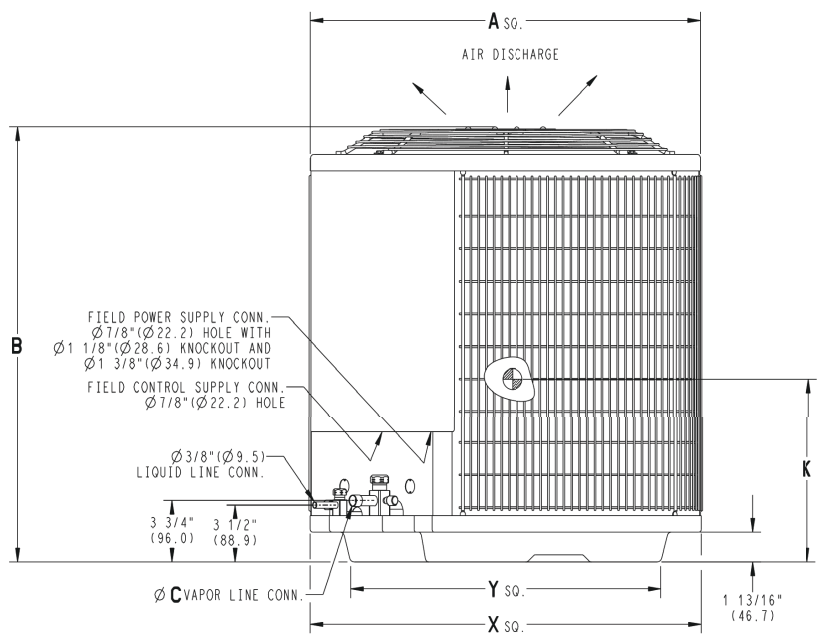
# DIMENSIONS

UNIT	SERIES	ELECTRICAL CHARACTERISTICS				A		B		C		D		E		F		G		H		I		J		K		OPERATING WEIGHT		SHIPPING WEIGHT		SHIPPING LENGTH / WIDTH (Sq.)		SHIPPING HEIGHT	
						INCH	MM	INCH	MM	INCH	MM	INCH	MM	INCH	MM	INCH	MM	INCH	MM	INCH	MM	INCH	MM	INCH	MM	INCH	MM	INCH	MM	Lbs	Kgs	Lbs	Kgs	INCH	MM
GA4SA*41800N	A	Y	N	N	N	23 1/8	587.3	24 7/8	631.6	3/4	19.1	4 7/16	113.0	18 1/16	459.0	7 13/16	197.9	5/16	7.9	3	76.2	11	279.4	10 1/2	266.7	10 1/4	260.4	100	45.4	109	49.4	24 1/8	612.7	26 7/16	672.1
GA4SA*42400N	A	Y	N	N	N	25 3/4	654.0	25 5/16	642.4	3/4	19.1	4 7/16	113.0	21 1/4	539.9	9 1/8	231.3	5/16	7.9	3	76.2	13 1/2	342.9	13	330.2	12 1/2	317.5	111	50.3	121	54.9	26 3/4	679.9	26 15/16	684.8
GA4SA*43000N	A	Y	N	N	N	31 3/16	792.5	31 11/16	804.3	3/4	19.1	6 9/16	166.1	24 11/16	626.3	9 1/8	231.3	5/16	7.9	3	76.2	15	381.0	15 3/4	400.1	16	406.4	138	62.6	160	72.6	32 3/16	817.9	33 1/4	844.9
GA4SA*43600N	A	Y	N	N	N	31 3/16	792.5	24 7/8	631.6	7/8	22.2	6 9/16	166.1	24 11/16	626.3	9 1/8	231.3	5/16	7.9	3	76.2	14 1/2	368.3	15	381.0	11 1/2	292.1	131	59.4	144	65.3	32 3/16	817.9	26 7/16	672.1
GA4SA*44200N	A	Y	N	N	N	31 3/16	792.5	41 7/8	1063.4	7/8	22.2	6 9/16	166.1	24 11/16	626.3	9 1/8	231.3	5/16	7.9	3	76.2	17	431.8	15 1/2	393.7	22 1/2	571.5	180	81.6	202	91.6	32 3/16	817.9	43 7/16	1104.1
GA4SA*44800N	A	Y	N	N	N	31 3/16	792.5	28 1/4	718.0	7/8	22.2	6 9/16	166.1	24 11/16	626.3	9 1/8	231.3	5/16	7.9	3	76.2	14 1/2	368.3	14 1/2	368.3	12 1/2	317.5	170	77.1	188	85.3	32 3/16	817.9	29 7/8	758.5
GA4SA*46000N	A	Y	N	N	N	31 3/16	792.5	35 1/16	890.7	7/8	22.2	6 9/16	166.1	24 11/16	626.3	9 1/8	231.3	5/16	7.9	3	76.2	15 1/2	393.7	16	406.4	18 1/2	469.9	189	85.7	204	92.5	32 3/16	817.9	36 11/16	931.3

208-230-1-60	Y=YES N=NO
208/230-3-60	
480-3-60	
575-3-60	

**NOTES:**

1. CENTER OF GRAVITY



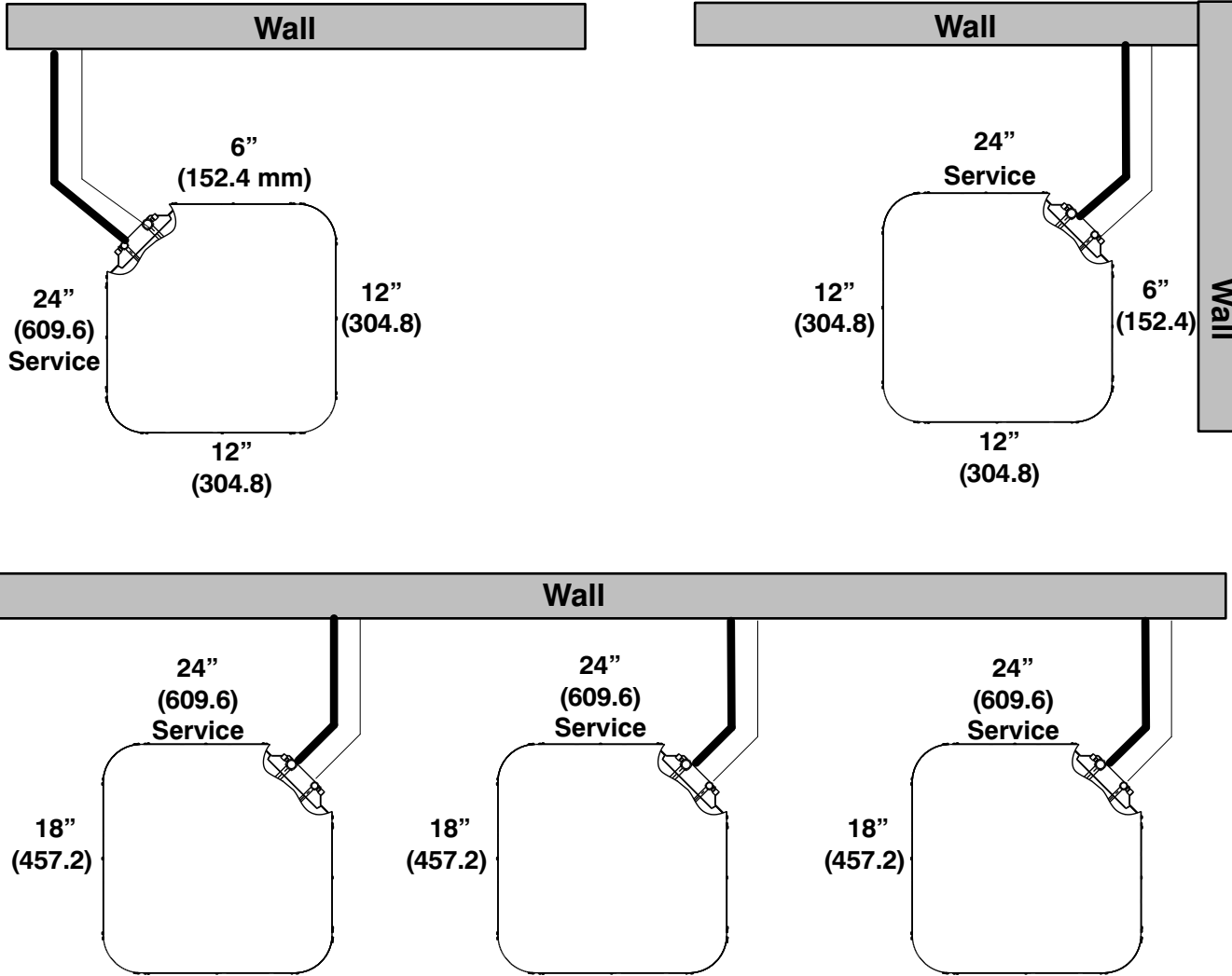
NOTE: ALL DIMENSIONS IN INCH (MM)

U.S. ECCN: Not Subject to Regulation (N.S.R.)

Manufacturer reserves the right to change, at any time, specifications and designs without notice and without obligations.

# CLEARANCES

## Clearances (various examples)



**Note: Numbers in ( ) = mm**  
**Allow 48" above unit**

**IMPORTANT:** When installing multiple units in an alcove, roof well, or partially enclosed area, ensure there is adequate ventilation to prevent re-circulation of discharge air.

# DETAILED COOLING CAPACITIES

EVAPORATOR AIR		CONDENSER ENTERING AIR TEMPERATURES °F (°C)																			
		75 (23.9)				85 (29.4)				95 (35)			105 (40.6)			115 (46.1)			125 (51.7)		
		CFM	EWB	Capacity MBtuh		Total Sys.	Capacity MBtuh		Total Sys.	Capacity MBtuh		Total Sys.	Capacity MBtuh		Total Sys.	Capacity MBtuh		Total Sys.	Capacity MBtuh		Total Sys.
Total	Sens†			kW**	Total	Sens†	kW**	Total	Sens†	kW**	Total	Sens†	kW**	Total	Sens†	kW**	Total	Sens†	kW**		
<b>GA4SAN41800N Outdoor Section With CAP**1917AL* Indoor Section</b>																					
525	72 (22.2)	21.70	10.46	1.25	20.88	10.18	1.39	19.91	9.85	1.56	18.79	9.48	1.74	17.55	9.08	1.95	16.21	8.64	2.20		
	67 (19.4)	19.75	12.90	1.25	18.95	12.60	1.40	18.00	12.25	1.56	16.92	11.85	1.74	15.76	11.43	1.96	14.51	10.99	2.22		
	63 (17.2)††	18.34	12.41	1.25	17.55	12.09	1.40	16.62	11.72	1.56	15.58	11.32	1.75	14.48	10.88	1.97	13.31	10.44	2.23		
	62 (16.7)	17.96	15.27	1.25	17.19	14.94	1.40	16.29	14.55	1.56	15.40	15.40	1.75	14.54	14.54	1.96	13.62	13.62	2.22		
	57 (13.9)	17.50	17.50	1.25	16.89	16.89	1.40	16.17	16.17	1.56	15.38	15.38	1.75	14.51	14.51	1.96	13.59	13.59	2.23		
600	72 (22.2)	22.06	11.03	1.28	21.21	10.75	1.43	20.21	10.42	1.59	19.06	10.05	1.77	17.78	9.64	1.99	16.39	9.21	2.24		
	67 (19.4)	20.10	13.82	1.28	19.27	13.52	1.43	18.30	13.17	1.59	17.20	12.77	1.78	16.00	12.34	1.99	14.71	11.89	2.25		
	63 (17.2)††	18.69	13.28	1.29	17.87	12.95	1.43	16.92	12.58	1.60	15.85	12.16	1.78	14.70	11.73	2.00	13.50	11.27	2.26		
	62 (16.7)	18.38	18.38	1.29	17.67	17.67	1.43	16.91	16.91	1.59	16.07	16.07	1.78	15.15	15.15	1.99	14.16	14.16	2.25		
	57 (13.9)	18.28	18.28	1.29	17.64	17.64	1.43	16.88	16.88	1.59	16.04	16.04	1.78	15.12	15.12	1.99	14.13	14.13	2.25		
675	72 (22.2)	22.31	11.59	1.32	21.44	11.31	1.47	20.41	10.98	1.63	19.23	10.60	1.81	17.93	10.20	2.02	16.51	9.76	2.27		
	67 (19.4)	20.34	14.72	1.32	19.51	14.42	1.47	18.52	14.06	1.63	17.39	13.66	1.81	16.16	13.23	2.03	14.86	12.76	2.28		
	63 (17.2)††	18.94	14.11	1.32	18.11	13.79	1.47	17.13	13.41	1.63	16.03	12.99	1.82	14.87	12.54	2.03	13.65	12.05	2.30		
	62 (16.7)	18.95	18.95	1.32	18.29	18.29	1.47	17.50	17.50	1.63	16.62	16.62	1.81	15.65	15.65	2.03	14.60	14.60	2.28		
	57 (13.9)	18.93	18.93	1.32	18.26	18.26	1.47	17.48	17.48	1.63	16.59	16.59	1.81	15.62	15.62	2.03	14.58	14.58	2.28		
<b>GA4SAN42400N Outdoor Section With CSPVA2414XMC* Indoor Section</b>																					
700	72 (22.2)	27.12	13.79	1.58	26.00	13.38	1.76	24.79	12.92	1.96	23.58	12.43	2.19	22.15	11.88	2.46	20.56	11.27	2.76		
	67 (19.4)	24.86	16.90	1.59	23.89	16.45	1.77	22.79	15.97	1.97	21.51	15.43	2.20	20.19	14.83	2.48	18.69	14.18	2.79		
	63 (17.2)††	23.09	16.32	1.59	22.19	15.88	1.77	21.10	15.38	1.98	19.93	14.79	2.22	18.64	14.19	2.49	17.22	13.52	2.80		
	62 (16.7)	22.57	19.79	1.59	21.76	19.40	1.77	20.76	18.96	1.98	19.56	18.32	2.22	18.39	17.79	2.49	17.32	17.32	2.80		
	57 (13.9)	22.09	22.09	1.60	21.50	21.50	1.78	20.38	20.38	1.98	19.57	19.57	2.22	18.45	18.45	2.49	17.26	17.26	2.80		
805	72 (22.2)	27.54	14.33	1.62	26.39	13.90	1.80	25.30	13.43	2.00	23.98	12.89	2.24	22.47	12.35	2.50	20.75	11.69	2.80		
	67 (19.4)	25.37	17.77	1.63	24.34	17.32	1.81	23.20	16.82	2.02	21.80	16.17	2.24	20.50	15.65	2.52	18.97	14.99	2.83		
	63 (17.2)††	23.58	17.13	1.64	22.58	16.65	1.82	21.52	16.23	2.02	20.09	15.48	2.25	18.94	14.94	2.54	17.47	14.28	2.85		
	62 (16.7)	23.07	21.03	1.64	22.18	20.62	1.82	21.12	20.11	2.03	19.93	17.98	2.26	19.13	19.13	2.53	17.90	17.90	2.85		
	57 (13.9)	23.01	23.01	1.64	22.07	22.07	1.82	21.13	21.13	2.03	20.28	20.28	2.26	19.09	19.09	2.54	17.83	17.83	2.84		
900	72 (22.2)	27.81	14.76	1.66	26.65	14.31	1.84	25.58	13.83	2.04	24.30	13.30	2.28	22.68	12.74	2.54	21.00	12.11	2.85		
	67 (19.4)	25.70	18.49	1.68	24.63	18.03	1.85	23.44	17.51	2.06	22.14	16.94	2.29	20.70	16.35	2.56	19.12	15.69	2.87		
	63 (17.2)††	23.95	17.84	1.68	22.89	17.33	1.86	21.75	16.80	2.07	20.49	16.21	2.30	19.13	15.58	2.58	17.61	14.90	2.89		
	62 (16.7)	23.47	22.13	1.68	22.96	21.92	1.86	21.56	21.56	2.07	20.53	20.53	2.29	19.56	19.56	2.57	18.17	18.17	2.87		
	57 (13.9)	23.63	23.63	1.68	22.77	22.77	1.86	21.69	21.69	2.07	20.71	20.71	2.30	19.56	19.56	2.58	18.18	18.18	2.88		
<b>GA4SAN43000N Outdoor Section With CAP**3721AL* Indoor Section</b>																					
875	72 (22.2)	34.39	17.38	1.99	32.89	16.86	2.20	31.29	16.31	2.44	29.57	15.72	2.72	27.69	15.09	3.05	25.62	14.41	3.43		
	67 (19.4)	31.24	21.52	2.00	29.86	20.98	2.21	28.39	20.42	2.45	26.82	19.83	2.73	25.09	19.18	3.06	23.18	18.47	3.44		
	63 (17.2)††	29.00	20.68	2.01	27.71	20.14	2.22	26.34	19.58	2.46	24.85	18.97	2.74	23.23	18.32	3.07	21.41	17.59	3.46		
	62 (16.7)	28.48	25.54	2.01	27.24	24.97	2.22	25.99	25.99	2.46	24.73	24.73	2.76	23.45	23.45	3.07	21.92	21.92	3.54		
	57 (13.9)	27.96	27.96	2.01	26.96	26.96	2.22	25.89	25.89	2.46	24.71	24.71	2.75	23.41	23.41	3.07	21.95	21.95	3.45		
1000	72 (22.2)	34.92	18.35	2.05	33.36	17.82	2.25	31.70	17.27	2.49	29.96	16.72	2.79	27.97	16.03	3.11	25.83	15.34	3.49		
	67 (19.4)	31.76	23.06	2.06	30.32	22.52	2.26	28.80	21.95	2.50	27.22	21.35	2.80	25.39	20.68	3.12	23.43	19.96	3.50		
	63 (17.2)††	29.51	22.12	2.07	28.16	21.56	2.27	26.74	20.99	2.51	25.19	20.35	2.82	23.52	19.70	3.13	21.69	18.97	3.51		
	62 (16.7)	29.20	29.20	2.07	28.12	28.12	2.27	26.96	26.96	2.51	25.70	25.70	2.79	24.31	24.31	3.12	22.75	22.75	3.50		
	57 (13.9)	29.16	29.16	2.07	28.07	28.07	2.27	26.92	26.92	2.51	25.67	25.67	2.80	24.27	24.27	3.12	22.72	22.72	3.50		
1125	72 (22.2)	35.29	19.30	2.10	33.68	18.77	2.31	31.97	18.21	2.55	30.14	17.61	2.83	28.14	16.96	3.16	25.95	16.25	3.54		
	67 (19.4)	32.14	24.57	2.12	30.66	24.01	2.32	29.10	23.43	2.56	27.45	22.81	2.85	25.61	22.13	3.17	23.66	21.36	3.57		
	63 (17.2)††	29.88	23.51	2.13	28.49	22.95	2.33	27.03	22.36	2.57	25.46	21.73	2.85	23.75	21.03	3.18	21.90	20.22	3.56		
	62 (16.7)	30.19	30.19	2.12	29.04	29.04	2.33	27.81	27.81	2.57	26.50	26.50	2.86	25.01	25.01	3.18	23.37	23.37	3.55		
	57 (13.9)	30.14	30.14	2.12	29.00	29.00	2.33	27.77	27.77	2.57	26.46	26.46	2.85	24.98	24.98	3.18	23.34	23.34	3.55		

Manufacturer reserves the right to change, at any time, specifications and designs without notice and without obligations.

# DETAILED COOLING CAPACITIES

EVAPORATOR AIR		CONDENSER ENTERING AIR TEMPERATURES °F (°C)																							
		75 (23.9)				85 (29.4)				95 (35)				105 (40.6)				115 (46.1)				125 (51.7)			
		CFM	EWB	Capacity MBtuh		Total Sys. kW**	Capacity MBtuh		Total Sys. kW**	Capacity MBtuh		Total Sys. kW**	Capacity MBtuh		Total Sys. kW**	Capacity MBtuh		Total Sys. kW**	Capacity MBtuh		Total Sys. kW**				
Total	Sens†			Total	Sens†		Total	Sens†		Total	Sens†		Total	Sens†		Total	Sens†		Total	Sens†					
<b>GA4SAN43600N Outdoor Section With CVPVA3721XMC* Indoor Section</b>																									
1090	72 (22.2)	40.69	19.90	2.41	38.81	19.27	2.66	36.90	18.55	2.93	34.80	17.74	3.24	32.32	16.95	3.61	29.76	16.06	4.05						
	67 (19.4)	37.24	24.64	2.42	35.72	23.66	2.67	33.80	23.24	2.94	31.87	22.38	3.25	29.66	21.55	3.61	27.24	20.62	4.06						
	63 (17.2)††	34.67	23.82	2.41	33.26	23.01	2.67	31.46	22.47	2.94	29.62	21.58	3.25	27.60	20.72	3.61	25.33	19.76	4.04						
	62 (16.7)	34.01	29.13	2.41	32.44	28.47	2.67	30.82	27.76	2.94	29.10	27.01	3.25	27.71	27.71	3.61	25.82	25.82	4.05						
	57 (13.9)	33.39	33.39	2.41	32.23	32.23	2.67	30.78	30.78	2.94	29.37	29.37	3.25	27.60	27.60	3.60	25.78	25.78	4.05						
1200	72 (22.2)	41.15	20.46	2.46	39.22	19.82	2.71	37.24	19.05	2.98	35.04	18.27	3.29	32.56	17.45	3.66	29.93	16.53	4.10						
	67 (19.4)	37.72	25.54	2.46	36.08	24.90	2.72	34.15	24.09	2.99	32.09	23.27	3.30	29.90	22.38	3.66	27.42	21.47	4.10						
	63 (17.2)††	35.02	23.92	2.47	33.56	23.97	2.72	31.80	23.19	2.99	29.92	22.39	3.30	27.84	21.51	3.66	25.50	20.53	4.10						
	62 (16.7)	34.48	30.45	2.47	32.90	29.75	2.72	31.91	29.92	2.99	30.06	30.06	3.30	28.26	28.26	3.66	26.48	26.48	4.10						
	57 (13.9)	34.26	34.26	2.47	33.05	33.05	2.72	31.54	31.54	2.99	30.03	30.03	3.30	28.25	28.25	3.67	26.28	26.28	4.10						
1350	72 (22.2)	41.63	21.14	2.52	39.74	20.44	2.78	37.66	19.72	3.05	35.34	18.92	3.36	32.83	18.06	3.73	30.09	17.10	4.17						
	67 (19.4)	38.24	26.68	2.53	36.46	25.96	2.78	34.51	25.20	3.06	32.34	24.42	3.37	30.09	23.49	3.73	27.57	22.55	4.17						
	63 (17.2)††	35.61	25.70	2.53	33.97	25.00	2.79	32.14	24.21	3.06	30.10	23.35	3.36	28.07	22.60	3.73	25.65	21.51	4.16						
	62 (16.7)	36.30	29.92	2.54	34.32	32.06	2.79	32.34	32.34	3.06	30.75	30.75	3.37	28.95	28.95	3.73	26.86	26.86	4.17						
	57 (13.9)	35.27	35.27	2.53	33.95	33.95	2.79	32.44	32.44	3.06	30.72	30.72	3.37	28.85	28.85	3.73	26.83	26.83	4.17						
<b>GA4SAN44200N Outdoor Section With CAP**6124AL* Indoor Section</b>																									
1225	72 (22.2)	46.39	23.82	2.89	44.31	23.00	3.17	42.29	22.15	3.47	40.04	21.26	3.82	37.65	20.36	4.21	35.07	19.31	4.64						
	67 (19.4)	42.01	28.83	2.89	40.38	28.12	3.16	38.40	27.16	3.47	36.33	26.24	3.81	34.14	25.28	4.20	31.79	24.24	4.64						
	63 (17.2)††	38.81	27.78	2.89	37.18	26.96	3.16	35.44	26.12	3.46	33.55	25.22	3.81	31.50	24.24	4.19	29.30	23.18	4.62						
	62 (16.7)	38.00	33.69	2.89	36.43	32.85	3.16	34.78	32.08	3.46	32.89	31.10	3.80	30.92	30.17	4.19	29.16	29.16	4.62						
	57 (13.9)	36.62	36.62	2.89	35.50	35.50	3.16	34.20	34.20	3.46	32.74	32.74	3.80	31.07	31.07	4.19	29.26	29.26	4.62						
1380	72 (22.2)	47.19	24.61	2.97	45.21	23.77	3.24	43.00	22.90	3.55	40.67	21.99	3.90	38.13	21.02	4.29	35.43	19.99	4.72						
	67 (19.4)	42.84	30.07	2.97	40.94	29.23	3.24	39.00	28.34	3.55	36.87	27.42	3.89	34.60	26.43	4.28	32.13	25.38	4.71						
	63 (17.2)††	39.55	28.93	2.97	37.86	28.10	3.24	36.04	27.39	3.54	34.06	26.28	3.88	31.94	25.30	4.27	29.63	24.25	4.70						
	62 (16.7)	38.77	35.39	2.96	37.09	34.54	3.23	35.35	33.69	3.54	33.87	30.17	3.89	31.31	32.28	4.26	30.14	30.14	4.72						
	57 (13.9)	37.87	37.87	2.96	36.72	36.72	3.23	35.32	35.32	3.54	33.71	33.71	3.88	32.00	32.00	4.28	29.94	29.94	4.66						
1575	72 (22.2)	48.16	25.44	3.06	45.96	24.63	3.34	43.73	23.76	3.65	41.29	22.81	3.99	38.61	21.81	4.38	35.78	20.70	4.82						
	67 (19.4)	43.67	31.54	3.06	41.70	30.65	3.33	39.63	29.77	3.64	37.39	28.81	3.98	35.02	27.80	4.38	32.47	26.73	4.81						
	63 (17.2)††	40.32	30.30	3.06	38.53	29.42	3.33	36.60	28.54	3.63	34.54	27.57	3.98	32.33	26.53	4.35	29.94	25.45	4.80						
	62 (16.7)	39.54	37.49	3.06	37.80	36.67	3.33	36.70	35.79	3.63	34.71	34.71	3.98	32.91	32.91	4.36	30.96	30.96	4.80						
	57 (13.9)	39.24	39.24	3.06	38.00	38.00	3.33	36.36	36.36	3.63	34.72	34.72	3.98	32.80	32.80	4.36	30.90	30.90	4.80						
<b>GA4SAN44800N Outdoor Section With CVPVA4821XMC* Indoor Section</b>																									
1400	72 (22.2)	54.25	27.28	3.40	51.97	26.48	3.71	49.55	25.64	4.08	46.97	24.75	4.50	44.19	23.81	4.97	41.16	22.81	5.50						
	67 (19.4)	49.34	33.66	3.39	47.24	32.84	3.70	45.01	31.98	4.06	42.64	31.08	4.48	40.14	30.09	4.95	37.32	29.08	5.47						
	63 (17.2)††	45.82	32.37	3.39	43.85	31.54	3.69	41.76	30.68	4.05	39.55	29.76	4.46	37.16	28.79	4.93	34.57	27.75	5.45						
	62 (16.7)	45.10	39.88	3.38	43.21	39.02	3.69	41.23	38.08	4.05	39.25	39.25	4.46	37.33	37.33	4.93	35.21	35.21	5.46						
	57 (13.9)	44.11	44.11	3.38	42.58	42.58	3.69	40.95	40.95	4.05	39.19	39.19	4.46	37.23	37.23	4.93	35.15	35.15	5.46						
1545	72 (22.2)	54.89	28.36	3.47	52.54	27.56	3.78	50.05	26.71	4.15	47.40	25.81	4.57	44.55	24.86	5.05	41.45	23.84	5.57						
	67 (19.4)	49.97	35.37	3.46	47.80	34.54	3.77	45.50	33.67	4.14	43.10	32.76	4.55	40.48	31.78	5.02	37.65	30.72	5.55						
	63 (17.2)††	46.43	33.96	3.46	44.39	33.12	3.76	42.25	32.25	4.12	39.98	31.32	4.54	37.53	30.33	5.00	34.88	29.26	5.53						
	62 (16.7)	45.90	42.13	3.46	44.13	40.89	3.76	42.23	42.23	4.12	40.37	40.37	4.54	38.35	38.35	5.01	36.12	36.12	5.54						
	57 (13.9)	45.51	45.51	3.45	43.89	43.89	3.76	42.17	42.17	4.12	40.32	40.32	4.54	38.30	38.30	5.01	36.08	36.08	5.53						
1800	72 (22.2)	55.69	30.18	3.59	53.24	29.36	3.91	50.66	28.50	4.28	47.90	27.59	4.70	44.95	26.62	5.17	41.75	25.59	5.70						
	67 (19.4)	50.78	38.29	3.58	48.53	37.44	3.90	46.16	36.55	4.26	43.68	35.62	4.68	40.98	34.60	5.15	38.09	33.48	5.67						
	63 (17.2)††	47.22	36.66	3.58	45.11	37.80	3.89	42.89	34.90	4.25	40.54	33.94	4.66	38.03	32.91	5.13	35.33	31.77	5.65						
	62 (16.7)	47.61	47.61	3.58	45.85	45.85	3.89	43.99	43.99	4.25	41.98	41.98	4.67	39.82	39.82	5.14	37.43	37.43	5.67						
	57 (13.9)	47.54	47.54	3.58	45.79	45.79	3.89	43.93	43.93	4.25	41.93	41.93	4.67	39.76	39.76	5.14	37.38	37.38	5.67						

Manufacturer reserves the right to change, at any time, specifications and designs without notice and without obligations.

# DETAILED COOLING CAPACITIES

EVAPORATOR AIR		CONDENSER ENTERING AIR TEMPERATURES °F (°C)																							
		75 (23.9)				85 (29.4)				95 (35)				105 (40.6)				115 (46.1)				125 (51.7)			
		CFM	EWB	Capacity MBtuh		Total Sys. kW**	Capacity MBtuh		Total Sys. kW**	Capacity MBtuh		Total Sys. kW**	Capacity MBtuh		Total Sys. kW**	Capacity MBtuh		Total Sys. kW**	Capacity MBtuh		Total Sys. kW**				
Total	Sens†			Total	Sens‡		Total	Sens‡		Total	Sens‡		Total	Sens‡		Total	Sens‡		Total	Sens‡					
<b>GA4SAN46000N Outdoor Section With CVPVA6124XMC* Indoor Section</b>																									
1800	72 (22.2)	67.31	34.72	4.23	64.05	33.52	4.62	60.65	32.23	5.08	57.21	30.87	5.60	53.30	29.42	6.18	49.09	27.91	6.83						
	67 (19.4)	61.11	42.71	4.20	58.80	41.29	4.60	55.50	40.17	5.05	52.26	38.78	5.56	48.75	37.20	6.15	44.88	35.62	6.80						
	63 (17.2)††	56.68	41.19	4.18	54.40	39.82	4.57	51.47	38.70	5.02	48.47	37.27	5.53	45.19	35.74	6.11	41.62	34.01	6.76						
	62 (16.7)	55.62	50.35	4.18	53.08	49.09	4.56	50.52	47.91	5.01	48.10	44.25	5.53	45.71	45.84	6.12	42.28	42.28	6.77						
	57 (13.9)	54.39	54.39	4.17	52.57	52.57	4.56	50.12	50.12	5.01	47.19	47.19	5.51	45.17	45.17	6.11	42.19	42.19	6.77						
2000	72 (22.2)	68.24	35.82	4.32	64.89	34.59	4.72	61.59	33.27	5.18	58.04	31.85	5.70	53.80	30.40	6.28	49.46	28.73	6.93						
	67 (19.4)	62.05	44.42	4.30	59.30	43.20	4.70	56.18	41.84	5.15	52.79	40.37	5.66	49.21	38.84	6.25	45.24	37.14	6.90						
	63 (17.2)††	57.57	42.78	4.28	55.01	41.58	4.67	52.14	40.25	5.12	49.05	38.77	5.63	45.57	37.20	6.21	41.97	35.50	6.87						
	62 (16.7)	56.53	52.71	4.28	53.95	51.52	4.67	51.65	51.12	5.12	49.59	49.78	5.64	46.26	46.26	6.23	43.14	43.14	6.88						
	57 (13.9)	56.01	56.01	4.28	54.04	54.04	4.67	51.66	51.66	5.12	49.06	49.06	5.64	46.24	46.24	6.22	43.14	43.14	6.88						
2250	72 (22.2)	69.18	37.06	4.45	65.68	35.81	4.84	62.30	34.45	5.30	58.62	32.97	5.82	54.40	31.51	6.41	49.78	29.76	7.06						
	67 (19.4)	63.10	46.47	4.43	60.12	45.28	4.82	56.89	43.78	5.27	53.36	42.31	5.79	49.61	40.75	6.37	45.50	38.87	7.02						
	63 (17.2)††	58.44	44.65	4.41	55.77	43.41	4.80	52.78	42.04	5.24	49.56	40.56	5.76	46.04	38.93	6.34	42.20	37.06	6.99						
	62 (16.7)	57.39	55.65	4.40	55.86	54.50	4.80	52.98	52.98	5.25	50.47	50.47	5.77	47.44	47.44	6.36	44.15	44.15	7.01						
	57 (13.9)	57.74	57.74	4.41	55.59	55.59	4.80	53.12	53.12	5.25	50.41	50.41	5.77	47.36	47.36	6.35	44.11	44.11	7.01						

† Total and sensible capacities are net capacities based on 25 feet line set at DOE Appendix M1 test levels.  
 ‡ Sensible capacities shown are based on 80°F (27°C) entering air at the indoor coil. For sensible capacities at other than 80°F (27°C), deduct 835 Btuh (245 kW) per 1000 CFM (480 L/S) of indoor coil air for each degree below 80°F (27°C), or add 835 Btuh (245 kW) per 1000 CFM (480 L/S) of indoor coil air per degree above 80°F (27°C).  
 # Detailed cooling capacities are based on indoor and outdoor unit at the same elevation per AHRI standard 210/240-2023. If additional tubing length and/or indoor unit is located above outdoor unit, a slight variation in capacity may occur.  
 \*\* System kw is total of indoor and outdoor unit kilowatts.  
 †† At TVA rating indoor condition (75°F edb/63°F ewb). All other indoor air temperatures are at 80°F edb.  
**NOTE:** When the required data falls between the published data, interpolation may be performed. Extrapolation is not an acceptable practice.  
**EWB** — Entering Wet Bulb

14 Manufacturer reserves the right to change, at any time, specifications and designs without notice and without obligations.

## CONDENSER ONLY RATINGS

SST °F (°C)		CONDENSER ENTERING AIR TEMPERATURES °F (°C)						
		55.0 (12.8)	65.0 (18.3)	75.0 (23.9)	85.0 (29.4)	95.0 (35.0)	105.0 (40.6)	115.0 (46.1)
<b>GA4SAN41800N</b>								
30.0 (-1.1)	TCG	15.10	14.10	13.10	12.20	11.30	10.40	9.50
	SDT	70.40	79.80	89.20	98.70	108.30	117.80	127.30
	KW	0.80	0.91	1.02	1.15	1.30	1.46	1.65
35.0 (1.7)	TCG	16.60	15.60	14.60	13.60	12.70	11.70	10.60
	SDT	71.50	80.80	90.30	99.70	109.20	118.70	128.20
	KW	0.80	0.91	1.02	1.15	1.30	1.47	1.66
40.0 (4.4)	TCG	18.30	17.20	16.10	15.10	14.10	13.00	11.90
	SDT	72.50	81.90	91.30	100.80	110.20	119.60	129.10
	KW	0.79	0.90	1.02	1.15	1.30	1.47	1.66
45.0 (7.2)	TCG	20.00	18.80	17.80	16.70	15.60	14.50	13.30
	SDT	73.70	83.00	92.40	101.90	111.20	120.70	130.10
	KW	0.78	0.89	1.02	1.15	1.30	1.47	1.67
50.0 (10.0)	TCG	21.80	20.70	19.50	18.40	17.30	16.10	14.80
	SDT	74.90	84.20	93.50	103.00	112.40	121.70	131.10
	KW	0.77	0.89	1.01	1.15	1.30	1.48	1.67
55.0 (12.8)	TCG	23.80	22.60	21.40	20.20	19.00	17.70	16.40
	SDT	76.10	85.40	94.80	104.20	113.60	122.90	132.10
	KW	0.76	0.88	1.00	1.15	1.30	1.48	1.68
<b>GA4SAN42400N</b>								
30.0 (-1.1)	TCG	19.34	18.30	17.26	16.17	15.01	13.77	12.40
	SDT	73.94	83.52	93.16	102.71	112.14	121.57	130.96
	KW	0.98	1.12	1.29	1.47	1.68	1.92	2.20
35.0 (1.7)	TCG	21.38	20.26	19.13	17.96	16.72	15.37	13.93
	SDT	75.24	84.81	94.38	103.89	113.31	122.73	132.06
	KW	0.98	1.13	1.29	1.47	1.68	1.92	2.20
40.0 (4.4)	TCG	23.58	22.37	21.16	19.90	18.57	17.13	15.58
	SDT	76.62	86.14	95.61	105.11	114.51	123.92	133.17
	KW	0.98	1.13	1.29	1.47	1.68	1.92	2.20
45.0 (7.2)	TCG	25.95	24.65	23.35	22.00	20.56	19.03	17.39
	SDT	78.08	87.51	96.97	106.34	115.79	125.11	134.39
	KW	0.98	1.13	1.29	1.47	1.68	1.92	2.19
50.0 (10.0)	TCG	28.48	27.09	25.69	24.26	22.72	21.08	19.32
	SDT	79.73	89.10	98.46	107.57	116.94	126.28	135.58
	KW	0.98	1.13	1.28	1.46	1.67	1.91	2.19
55.0 (12.8)	TCG	31.22	29.72	28.21	26.66	25.02	23.26	21.38
	SDT	81.37	90.71	100.00	109.14	118.21	127.54	136.81
	KW	0.98	1.12	1.28	1.45	1.65	1.89	2.17
<b>GA4SAN43000N</b>								
30.0 (-1.1)	TCG	23.36	22.09	20.86	19.60	18.26	16.80	15.18
	SDT	77.76	87.66	97.65	107.75	117.95	128.31	138.89
	KW	1.20	1.35	1.53	1.74	1.99	2.28	2.64
35.0 (1.7)	TCG	25.77	24.41	23.07	21.70	20.25	18.65	16.96
	SDT	79.48	89.29	99.26	109.32	119.51	129.88	140.34
	KW	1.21	1.36	1.54	1.75	2.01	2.31	2.67
40.0 (4.4)	TCG	28.37	26.91	25.46	23.98	22.39	20.67	18.83
	SDT	81.25	91.02	100.97	110.97	121.09	131.37	141.69
	KW	1.22	1.37	1.55	1.77	2.02	2.33	2.69
45.0 (7.2)	TCG	31.18	29.61	28.04	26.43	24.70	22.83	20.81
	SDT	83.07	92.90	102.76	112.64	122.70	132.94	143.15
	KW	1.23	1.38	1.56	1.78	2.04	2.35	2.72
50.0 (10.0)	TCG	34.21	32.51	30.81	29.05	27.19	25.16	22.98
	SDT	85.18	94.87	104.65	114.51	124.32	134.42	144.49
	KW	1.24	1.39	1.57	1.80	2.06	2.37	2.74
55.0 (12.8)	TCG	37.46	35.63	33.78	31.87	29.86	27.66	25.32
	SDT	87.34	96.88	106.60	116.34	125.94	135.92	145.81
	KW	1.24	1.40	1.58	1.81	2.07	2.39	2.75

Manufacturer reserves the right to change, at any time, specifications and designs without notice and without obligations.

**CONDENSER ONLY RATINGS (Continued)**

SST °F (°C)		CONDENSER ENTERING AIR TEMPERATURES °F (°C)						
		55.0 (12.8)	65.0 (18.3)	75.0 (23.9)	85.0 (29.4)	95.0 (35.0)	105.0 (40.6)	115.0 (46.1)
<b>GA4SAN43600N</b>								
30.0 (-1.1)	TCG	30.00	28.36	26.78	25.19	23.53	21.80	19.97
	SDT	75.41	84.88	94.32	103.73	113.17	122.50	131.71
	KW	1.39	1.66	1.90	2.14	2.39	2.66	2.98
35.0 (1.7)	TCG	33.10	31.32	29.60	27.86	26.04	24.12	22.12
	SDT	76.81	86.28	95.69	105.00	114.37	123.69	132.82
	KW	1.41	1.68	1.92	2.16	2.41	2.70	3.03
40.0 (4.4)	TCG	36.40	34.50	32.61	30.66	28.71	26.61	24.41
	SDT	78.36	87.68	97.07	106.39	115.63	124.86	133.91
	KW	1.43	1.69	1.93	2.17	2.43	2.73	3.07
45.0 (7.2)	TCG	39.90	37.87	35.82	33.74	31.53	29.24	26.79
	SDT	80.19	89.25	98.51	107.73	116.97	126.07	135.21
	KW	1.46	1.70	1.94	2.18	2.45	2.75	3.12
50.0 (10.0)	TCG	43.65	41.42	39.21	36.90	34.51	32.00	29.36
	SDT	81.93	91.11	99.94	109.21	118.32	127.31	136.24
	KW	1.47	1.72	1.94	2.19	2.46	2.77	3.14
55.0 (12.8)	TCG	47.55	45.19	42.78	40.26	37.63	34.90	32.03
	SDT	84.02	92.82	101.95	110.58	119.68	128.54	137.29
	KW	1.48	1.72	1.95	2.19	2.47	2.78	3.15
<b>GA4SAN44200N</b>								
30.0 (-1.1)	TCG	33.37	31.78	30.15	28.45	26.69	24.84	22.89
	SDT	69.65	79.17	88.69	98.22	107.73	117.17	126.59
	KW	1.86	2.07	2.31	2.58	2.87	3.21	3.58
35.0 (1.7)	TCG	36.81	35.06	33.26	31.40	29.46	27.44	25.34
	SDT	70.90	80.29	89.76	99.21	108.68	118.11	127.43
	KW	1.87	2.08	2.32	2.59	2.89	3.22	3.60
40.0 (4.4)	TCG	40.55	38.61	36.62	34.56	32.45	30.26	27.97
	SDT	72.12	81.47	90.89	100.36	109.73	119.04	128.37
	KW	1.88	2.09	2.33	2.60	2.90	3.24	3.62
45.0 (7.2)	TCG	44.61	42.45	40.25	37.99	35.72	33.31	30.81
	SDT	73.45	82.79	92.17	101.54	110.71	120.07	129.36
	KW	1.88	2.10	2.34	2.61	2.91	3.26	3.64
50.0 (10.0)	TCG	49.00	46.61	44.20	41.72	39.18	36.60	33.89
	SDT	74.85	84.11	93.40	102.71	112.06	121.16	130.34
	KW	1.89	2.10	2.35	2.62	2.93	3.27	3.66
55.0 (12.8)	TCG	53.74	51.14	48.46	45.75	42.97	40.14	37.20
	SDT	76.40	85.41	94.76	104.00	113.27	122.31	131.40
	KW	1.89	2.11	2.35	2.63	2.94	3.29	3.68
<b>GA4SAN44800N</b>								
30.0 (-1.1)	TCG	38.05	36.11	34.19	32.26	30.26	28.17	25.97
	SDT	70.62	79.92	89.27	98.66	108.06	117.49	126.92
	KW	2.25	2.45	2.70	3.00	3.34	3.75	4.21
35.0 (1.7)	TCG	41.87	39.78	37.70	35.60	33.43	31.17	28.79
	SDT	72.00	81.22	90.51	99.85	109.22	118.60	127.96
	KW	2.26	2.46	2.72	3.02	3.37	3.77	4.24
40.0 (4.4)	TCG	46.02	43.75	41.49	39.20	36.85	34.40	31.71
	SDT	73.48	82.63	91.89	101.17	110.47	119.77	129.03
	KW	2.26	2.47	2.73	3.04	3.39	3.80	4.27
45.0 (7.2)	TCG	50.50	48.04	45.58	43.10	40.54	37.88	35.10
	SDT	75.10	84.21	93.39	102.59	111.81	121.04	130.22
	KW	2.27	2.48	2.75	3.06	3.42	3.83	4.30
50.0 (10.0)	TCG	55.39	52.67	50.00	47.30	44.52	41.64	38.62
	SDT	76.95	85.90	94.99	104.12	113.25	122.35	131.43
	KW	2.27	2.49	2.76	3.08	3.45	3.86	4.34
55.0 (12.8)	TCG	60.58	57.73	54.77	51.83	48.81	45.68	42.41
	SDT	78.82	87.79	96.72	105.73	114.73	123.74	132.72
	KW	2.27	2.51	2.78	3.10	3.47	3.89	4.37

Manufacturer reserves the right to change, at any time, specifications and designs without notice and without obligations.



**CONDENSER ONLY RATINGS (Continued)**

SST °F (°C)		CONDENSER ENTERING AIR TEMPERATURES °F (°C)						
		55.0 (12.8)	65.0 (18.3)	75.0 (23.9)	85.0 (29.4)	95.0 (35.0)	105.0 (40.6)	115.0 (46.1)
<b>GA4SAN46000N</b>								
<b>30.0</b> <b>(-1.1)</b>	TCG	48.86	46.38	43.92	41.41	38.79	36.02	33.09
	SDT	71.15	80.38	89.65	98.97	108.25	117.49	126.66
	KW	2.73	2.99	3.30	3.67	4.10	4.59	5.16
<b>35.0</b> <b>(1.7)</b>	TCG	53.79	51.10	48.43	45.70	42.85	39.87	36.67
	SDT	72.64	81.80	91.01	100.26	109.46	118.64	127.76
	KW	2.75	3.01	3.33	3.70	4.14	4.64	5.21
<b>40.0</b> <b>(4.4)</b>	TCG	59.10	56.19	53.28	50.30	47.20	43.95	40.47
	SDT	74.25	83.34	92.49	101.64	110.78	119.88	128.91
	KW	2.77	3.04	3.36	3.74	4.18	4.69	5.27
<b>45.0</b> <b>(7.2)</b>	TCG	64.80	61.64	58.47	55.23	51.85	48.30	44.54
	SDT	75.99	84.99	94.06	103.14	112.20	121.20	130.14
	KW	2.78	3.06	3.39	3.78	4.23	4.74	5.32
<b>50.0</b> <b>(10.0)</b>	TCG	70.91	67.48	64.02	60.48	56.80	52.92	48.82
	SDT	77.86	86.77	95.77	104.76	113.70	122.61	131.43
	KW	2.79	3.08	3.42	3.81	4.27	4.79	5.37
<b>55.0</b> <b>(12.8)</b>	TCG	77.45	73.70	69.92	66.05	62.03	57.81	53.36
	SDT	79.90	88.70	97.59	106.47	115.30	124.08	132.77
	KW	2.81	3.10	3.44	3.85	4.31	4.83	5.42

**KW** - Outdoor Unit Kilowatts Only.  
**SDT** -Saturated Temperature Leaving Compressor (°F)  
**SST** -Saturated Temperature Entering Compressor (°F/°C)  
**TCG** -Gross Cooling Capacity (1000 Btuh)  
**KW** - Outdoor Unit Kilowatts Only.  
**SDT** -Saturated Temperature Leaving Compressor (°F)  
**SST** -Saturated Temperature Entering Compressor (°F/°C)  
**TCG** -Gross Cooling Capacity (1000 Btuh)

## GUIDE SPECIFICATIONS GENERAL

### System Description

Outdoor-mounted, air-cooled, split-system air conditioner unit suitable for ground or rooftop installation. Unit consists of a hermetic compressor, an air-cooled coil, propeller-type condenser fan, and a control box. Unit will discharge supply air upward as shown on contract drawings. Unit will be used in a refrigeration circuit to match up to a packaged fan coil or coil unit.

### Quality Assurance

- Unit will be rated in accordance with the latest edition of AHRI Standard 210/240.
- Unit will be certified for capacity and efficiency, and listed in AHRI directory.
- Unit construction will comply with latest edition of ANSI/ASHRAE and with NEC.
- Unit will be constructed in accordance with UL standards and will carry the UL label of approval. Unit will have c-UL-us approval.
- Unit cabinet will be capable of withstanding Federal Test Method Standard No. 141 (Method 6061) 500-hr salt spray test.
- Air-cooled condenser coils will be leak tested at 150 psig and pressure tested at 470 psig.
- Unit constructed in ISO9001 approved facility.

### Delivery, Storage, and Handling

- Unit will be shipped as single package only and is stored and handled per unit manufacturer's recommendations.

### Warranty (for inclusion by specifying engineer)

- U.S. and Canada only.

## PRODUCTS

### Equipment

Factory assembled, single piece, air-cooled air conditioner unit. Contained within the unit enclosure is all factory wiring, piping, controls, compressor, refrigerant charge R-410A, and special features required prior to field start-up.

### Unit Cabinet

- Unit cabinet will be constructed of galvanized steel, bonderized, and coated with a pre-paint.

### Fans

- Condenser fan will be direct-drive propeller type, discharging air upward.
- Condenser fan motors will be totally enclosed, 1-phase type with class B insulation and permanently lubricated bearings. Shafts will be corrosion resistant.
- Fan blades will be statically and dynamically balanced.
- Condenser fan openings will be equipped with coated steel wire safety guards.

## Air-cooled, split-system air conditioner GA4S

### 1-1/2 to 5 nominal tons

### Compressor

- Compressor will be hermetically sealed.
- Compressor will be mounted on rubber vibration isolators.

### Condenser Coil

- Condenser coil will be air cooled.
- Coil will be constructed of aluminum fins mechanically bonded to copper or aluminum tubes which are then cleaned, dehydrated, and sealed.

### Refrigeration Components

- Refrigeration circuit components will include liquid-line shutoff valve with sweat connections, vapor-line shutoff valve with sweat connections, system charge of R-410A refrigerant, and compressor oil.
- Unit will be shipped with filter drier for R-410A refrigerant.

### Operating Characteristics

- The capacity of the unit will meet or exceed \_\_\_\_\_ Btuh at a suction temperature of \_\_\_\_\_ °F/°C. The power consumption at full load will not exceed \_\_\_\_\_ kW.
- Combination of the unit and the evaporator or fan coil unit will have a total net cooling capacity of \_\_\_\_\_ Btuh or greater at conditions of \_\_\_\_\_ CFM entering air temperature at the evaporator at \_\_\_\_\_ °F/°C wet bulb and \_\_\_\_\_ °F/°C dry bulb, and air entering the unit at \_\_\_\_\_ °F/°C.
- The system will have a SEER2 of \_\_\_\_\_ Btuh/watt or greater at DOE conditions.

### Electrical Requirements

- Nominal unit electrical characteristics will be \_\_\_\_\_ v, single phase, 60 Hz. The unit will be capable of satisfactory operation within voltage limits of \_\_\_\_\_ v to \_\_\_\_\_ v.
- Nominal unit electrical characteristics will be \_\_\_\_\_ v, three phase, 60 Hz. The unit will be capable of satisfactory operation within voltage limits of \_\_\_\_\_ v to \_\_\_\_\_ v.
- Unit electrical power will be single point connection.
- Control circuit will be 24v.

### Special Features

- Refer to section of this literature identifying accessories and descriptions for specific features and available enhancements.