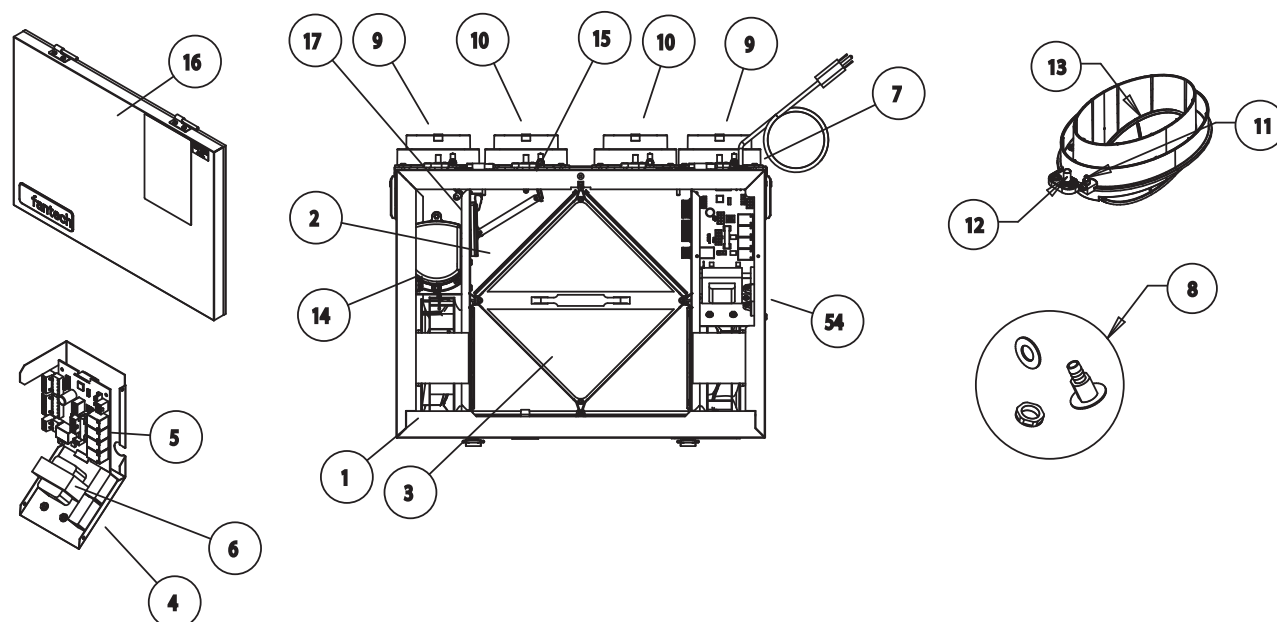


VER 100 - 463235



BOM #	Description	VER 100 (463235)
1	LXFB2E190 Repl. motor kit	463995
2	Electrostatic Filters Kit	405577
3	Energy Recovery Cell 8.5" x 8.5" x 12"	427928
4	Capacitors 8uF,250V,REC	410012
5	Kit,PCB Replacement,Board,AC	428252
6	Auto-Transformer	411963
7	Control Switch	410213
8	Kit Drain Plug	40315
9	Collar 5", Oval, w/Stop	412826
10	Collar 5", Oval, wo/Stop	412827
11	Screw, Set, Slotted, 8-32 x 5/16"	412836
12	Cap, w/Tab, Plastic, Tapered	412839
13	Damper, 5", Oval	412831
14	Temperature Probe	40286
15	Door Assembly	428470
	Kit, Chain	404261
	Kit, Wall Bracket	428471
	KIT,FILTER,2XMERV6, 8.4"X12.4"	414645
	Wiring Diagram	428464
	Installation Manual	428465