

**549J**

**PREFERRED™ SERIES**

**SINGLE PACKAGED ROOFTOP HEAT PUMP UNITS**



## Product Data

*Preferred*™  
**SERIES**



549J 04, 05, 06, 07, 08, 09, 12  
Unit shown with optional hail guards.

# Features/Benefits

Bryant Preferred™ Series 3 to 10 Ton rooftop unit (RTU) was designed by customers for customers. With “no-strip” screw collars, handled access panels, and more, we’ve made your unit easy to install, easy to maintain, easy to use and reliable.

## Easy to install:

All Preferred™ Series units are field-convertible to horizontal air flow with no special kit required on sizes 04-09. Supply duct kit is required for size 12 only. Convertible airflow design makes it easy to adjust to unexpected job site complications. Lighter units make easy replacement. Bryant 3 to 10 ton 549J rooftops fit on existing Bryant curbs dating back to 1989. Also, our large control box gives you room to work and room to mount Bryant accessory controls.

## Easy to maintain:

Easy access handles by Bryant provide quick and easy access to all normally serviced components. Our “no-strip” screw system has superior holding power and guides screws into position while preventing the screw from stripping the unit’s metal.

## Easy to use:

The central terminal board puts all your connections and troubleshooting points in one convenient place, standard. Most low voltage connections are made to the same board and make it easy to find what you’re looking for and easy to access it.

## Reliable:

Each unit comes with precision sized and tested scroll compressor that is internally protected from over temperature and pressures. Each refrigerant circuit is further protected with a high pressure, loss of charge and freeze protection switch. In addition, a liquid line filter drier and suction line accumulator protects each circuit. Each unit is factory tested prior to shipment to help ensure unit operation once properly installed.

## Key features:

- Up to 28% lighter than similar industry units. Lighter rooftops make easier replacement jobs.
- SEER up to 15.8, EER up to 12.8.
- IEER up to 14.0 with single speed indoor fan motor and up to 15.6 with 2-speed/VFD indoor fan motor.
- 3 to 10 ton units fit on existing Bryant rooftop curbs, which saves time and money on replacement jobs.
- Standardized components and layout. Standardized components and controls make service and stocking parts easier.
- Scroll compressors on all units. This makes service, stocking parts, replacement, and troubleshooting easier.
- Crankcase heater on all models (except 04 size) provides added protection in all applications.
- Precision-sized refrigerant suction line accumulator provides high reliability by preventing liquid from entering the compressor during low ambient conditions and reverse cycle switch over.
- Field convertible from vertical to horizontal airflow on all models. No special kits required on size 04-09 models. Supply duct kit required for size 12 model only.
- 4-way reversing valve rapidly changes the flow of refrigerant to quickly changeover from cooling to heating and heating to cooling.
- Easy-adjust, belt drive motor available on all sizes. Bryant provides a factory-solution for most points in the fan performance table. There’s no need for field-supplied drives or motors.
- 3 to 5 ton models come standard with a Direct Drive X13, 5 speed/torque motor to provide exact performance in many applications. Belt drive motor optional on all three phase voltage models.
- Provisions for bottom or side condensate drain.
- Capable of thru-the-base or thru-the-curb electrical routing.

# Table of contents

	Page
Features/Benefits . . . . .	2
Model Number Nomenclature . . . . .	4
Capacity Ratings . . . . .	5
Physical Data . . . . .	7
Options and Accessories . . . . .	9
Dimensions . . . . .	13
Application Data . . . . .	29
Performance Data . . . . .	30
Fan Data . . . . .	46
Typical Wiring Schematics . . . . .	55
Electrical Data . . . . .	59
Controls . . . . .	104
Guide Specifications . . . . .	106

- Dependable time/temperature defrost logic provides a defrost cycle, if needed, every 30, 60, 90 or 120 minutes and is adjustable.
- Single-point electrical connection.
- Sloped, composite drain pan sheds water, and won't rust.
- Standardized controls and control box layout. Standardized components and controls make stocking parts and service easier.
- Clean, large, easy to use control box.
- Standard coils are copper round tube, aluminum plate fin with optional coil coatings and copper fin design.
- Large, laminated wiring and power wiring drawings which are affixed to unit make troubleshooting easy.
- Single, central terminal board for test and wiring connections.
- Fast-access, handled panels for easy access to the blower and blower motor, control box, and compressors.
- "No-strip" screw system guides screws into the panel and captures them tightly without stripping the screw, the panel, or the unit.
- Exclusive, newly-designed indoor refrigerant header for easier maintenance and replacement.
- Standard mechanical cooling (125°F to 30°F or 52°C to -1°C).
- 2-in. (51mm) disposable filters on all units.
- High capacity refrigerant filter drier and TXV metering device on each circuit.
- High pressure switch, loss of charge switch and freeze protection adds greater unit reliability.
- Optional 2-Speed Indoor Fan Motor System utilizes a Variable Frequency Drive (VFD) to automatically adjust the indoor fan motor speed between cooling stages. Available on 2-stage cooling model sizes 07-12 with electro-mechanical controls or RTU Open controller.

# Model number nomenclature

## 549J MODEL NUMBER NOMENCLATURE (EXAMPLE)

Position:	1	2	3	4	5	6	7	8	9	10	11	12	13	14	15	16	17
Example:	5	4	9	J	P	0	8	D	0	0	0	A	1	B	0	A	A

### Unit Type

549 - High-Efficiency  
Packaged Heat Pump  
with optional electric heat

### Model

J - Puron® (R-410A) Refrigerant

### Voltage

E = 460-3-60  
J = 208/230-1-60  
P = 208/230-3-60  
T = 575-3-60

### Cooling Tons

04 = 3 ton  
05 = 4 ton  
06 = 5 ton  
07 = 6 ton  
08 = 7.5 ton  
09 = 8.5 ton  
12 = 10 ton

### Refrigerant System Options

A = One-Stage cooling models  
D = Two-Stage cooling models

### Heat Level

(Field installed electric heaters available)  
000 = No Heat

### Coil Options (Outdoor – Indoor – Hail Guard)

A = Al/Cu – Al/Cu  
B = Precoat Al/Cu – Al/Cu  
C = E-coat Al/Cu – Al/Cu  
D = E-coat Al/Cu – E-coat Al/Cu  
E = Cu/Cu – Al/Cu  
F = Cu/Cu – Cu/Cu  
M = Al/Cu – Al/Cu – Louvered Hail Guard  
N = Precoat Al/Cu – Al/Cu – Louvered Hail Guard  
P = E-coat Al/Cu – Al/Cu – Louvered Hail Guard  
Q = E-coat Al/Cu – E-coat Al/Cu – Louvered Hail Guard  
R = Cu/Cu – Al/Cu – Louvered Hail Guard  
S = Cu/Cu – Cu/Cu – Louvered Hail Guard

### Packaging, Controls & Indoor Fan Motor Speed Options

A = Standard Packaging, electro-mechanical controls that require W7212 EconoMi\$er® IV  
B = LTL Packaging, electro-mechanical controls that require W7212 EconoMi\$er IV  
C = Standard Packaging, electro-mechanical controls that require W7220 EconoMi\$er X  
D = Standard Packaging and 2 speed indoor fan motor  
E = LTL Packaging and 2 speed indoor fan motor  
F = LTL Packaging, electro mech. controls that require W7220 EconoMi\$er X

### Factory Installed Options

0A = None

**NOTE:** See the 549J 3 to 10 ton Price Pages for a complete list of factory installed options.

### Outdoor Air Options

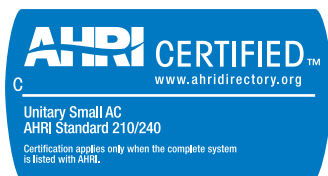
A = None  
B = Temperature Economizer, Barometric Relief, Standard Leak (W7212 or W7220)  
E = Temperature Economizer, Barometric Relief, Standard Leak w/CO<sub>2</sub>, (W7212 or W7220)  
H = Enthalpy Economizer, Barometric Relief, Standard Leak, (W7212 or W7220)  
L = Enthalpy Economizer, Barometric Relief, Standard Leak w/CO<sub>2</sub>, (W7212 or W7220)  
Q = Motorized 2 Position Damper  
U = Temperature Economizer, Barometric Relief, Ultra Low Leak, (W7220)  
W = Enthalpy Economizer, Barometric Relief, Ultra Low Leak, (W7220)

### Indoor Fan Options

0 = Electric Drive X13 Motor (04-06)  
1 = Standard Static Option - Belt Drive  
2 = Medium Static Option - Belt Drive  
3 = High Static/ Option - Belt Drive  
C = High Static Option with High Efficiency Motor - Belt Drive (12 size only)

**Note: On single phase (-J voltage code) models, the following are not available as a factory-installed option:**

- Coated Coils or Cu Fin Coils
- Louvered Hail Guards
- Economizer or 2 Position Damper
- Powered 115 Volt Convenience Outlet



# Capacity ratings

## AHRI COOLING RATINGS

549J UNIT	COOLING STAGES	NOM. CAPACITY (TONS)	NET COOLING CAPACITY (MBH)	TOTAL POWER (kW)	SEER	EER	IEER
04A	1	3.0	36,400	2.8	15.60	12.70	N/A
05A	1	4.0	47,000	3.6	15.80	12.80	N/A
06A	1	5.0	58,500	4.6	15.00	11.70	N/A
07A	1	6.0	72,000	6.0	N/A	12.00	12.8

549J UNIT	COOLING STAGES	NOM. CAPACITY (TONS)	NET COOLING CAPACITY (MBH)	TOTAL POWER (kW)	SEER	EER	IEER WITH SINGLE SPEED INDOOR FAN MOTOR	IEER WITH 2-SPEED INDOOR FAN MOTOR
07D	2	6.0	70,000	5.8	N/A	12.00	14.0	15.6
08D	2	7.5	90,000	7.4	N/A	12.10	12.8	13.7
09D	2	8.5	100,000	8.3	N/A	12.00	12.5	12.9
12D	2	10.0	119,000	9.6	N/A	12.30	13.0	13.6

## HEATING RATINGS

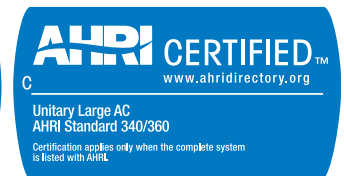
549J UNIT	HSPF	HEATING, LOW AT 17°F (-8°C) AMBIENT		HEATING, HIGH AT 47°F (8°C) AMBIENT	
		CAPACITY (BTUH)	COP	CAPACITY (BTUH)	COP
04A	8.00	18,400	N/A	34,000	N/A
05A	8.10	23,800	N/A	46,000	N/A
06A	8.20	28,600	N/A	55,000	N/A
07A	N/A	39,000	2.40	70,000	3.40
07D	N/A	38,000	2.40	69,000	3.40
08D	N/A	47,000	2.40	84,000	3.50
09D	N/A	56,000	2.26	100,000	3.40
12D	N/A	65,000	2.40	116,000	3.50

### LEGEND

<b>AHRI</b>	— Air-Conditioning, Heating and Refrigeration Institute
<b>ASHRAE</b>	— American Society of Heating, Refrigerating and Air-Conditioning Engineers
<b>COP</b>	— Coefficient of Performance
<b>EER</b>	— Energy Efficiency Ratio
<b>HSPF</b>	— Heating Seasonal Performance Factor
<b>IECC</b>	— International Energy Conservation Code
<b>IEER</b>	— Integrated Energy Efficiency Ratio
<b>N/A</b>	— Not applicable
<b>SEER</b>	— Seasonal Energy Efficiency Ratio

### NOTES:

- Rated and certified under AHRI Standard 210/240 or 340/360, as appropriate.
- Ratings are based on:  
**Cooling Standard:** 80°F (27°C) db, 67°F (19°C) wb indoor air temp and 95°F db outdoor air temp.  
**IEER Standard:** A measure that expresses cooling partload EER efficiency for commercial unitary air conditioning and heat pump equipment on the basis of weighted operation at variable load capacities.
- All 549J units comply with ASHRAE 90.1-2016, DOE-2018 and IECC<sup>1</sup> 2015 minimum efficiency requirements when equipped with the 2-Speed Indoor Fan Motor System option.



1. IECC is a registered trademark of International Code Council, Inc.

# Capacity ratings (cont)

## MINIMUM - MAXIMUM AIRFLOWS (CFM) COOLING AND ELECTRIC HEAT

UNIT	COOLING			ELECTRIC HEATERS		
	Minimum CFM	Minimum CFM 2-Speed Fan Motor (at High Speed)	Minimum CFM 2-Speed Fan Motor (at Low Speed)	Maximum CFM	Minimum CFM	Maximum CFM
549J04A	900	N/A	N/A	1500	900	1500
549J05A	1200	N/A	N/A	2000	1200	2000
549J06A	1500	N/A	N/A	2500	1500	2500
549J07A	1800	N/A	N/A	3000	1800	3000
549J07D	1800	1800	1200	3000	1800	3000
549J08D	2250	2250	1500	3750	2250*	3750
549J09D	2550	2873	1915	4250	2252*	4250
549J12D	3000	3380	2253	5000	3000*	5000

\* Minimum electric heat CFM exceptions:

UNIT	UNIT VOLTAGE	HEATER kW	UNIT CONFIGURATION	REQUIRED MINIMUM CFM
549J08D 549J09D	575	17.0	Horizontal or Vertical	2800
		34.0		2350
549J12D	230	50.0	Vertical	3550
		50.0	Horizontal	3420
		43.5	Horizontal or Vertical	3040
	575	50.0	Vertical	3150
		33.5	Vertical	3520
		33.5	Horizontal	3420
		26.5	Vertical	3610

## SOUND PERFORMANCE

549J UNIT	OUTDOOR SOUND (dB) AT 60Hz								
	A-Weighted	63	125	250	500	1000	2000	4000	8000
04A	76	51.8	69	64.6	67.8	70.7	63.8	60.9	59
05A	79	56.1	69.6	68.7	72.5	72.8	68.9	65	61.2
06A	79	57.7	66.6	68.7	72.9	74.5	71.1	67.6	62.6
07A	81	86.7	82.7	79.1	78.4	75.4	71.2	67.8	62.9
07D	81	86.7	82.7	79.1	78.4	75.4	71.2	67.8	62.9
08D	83	87.3	81.6	79.7	80.6	79.0	73.5	69.2	66.1
09D	87	61.7	74.7	77.4	82.6	84.9	81.9	78.8	75.9
12D	83	61.0	67.3	75.1	77.7	78.1	75.5	71.2	66.7

### LEGEND

dB — Decibel

### NOTES:

1. Outdoor sound data is measure in accordance with AHRI standard 270.
2. Measurements are expressed in terms of sound power. Do not compare these values to sound pressure values because sound pressure depends on specific environmental factors which normally do not match individual applications. Sound power values are independent of the environment and therefore more accurate.
3. A-weighted sound ratings filter out very high and very low frequencies, to better approximate the response of "average" human ear. A-weighted measurements for Bryant units are taken in accordance with AHRI standard 270.

# Physical data

## PHYSICAL DATA (COOLING) — 3-6 TONS

	549J04A	549J05A	549J06A	549J07A	549J07D	
<b>REFRIGERATION SYSTEM</b>						
# Circuits / # Comp. / Type	1 / 1 / Scroll	1 / 1 / Scroll	1 / 1 / 1-Stage Scroll	1 / 1 / 1-Stage Scroll	1 / 1 / 2-Stage Scroll	
Puron® (R-410A) Refrigerant Charge per circuit A/B (lbs-oz)	12 - 8 / -	15 - 8 / -	17 - 8 / -	15 - 8 / -	18 - 8 / -	
Metering device	TXV	TXV	TXV	TXV	TXV	
High-press. Trip / Reset (psig)	630 / 505	630 / 505	630 / 505	630 / 505	630 / 505	
Loss of Charge Press. Trip / Reset (psig)	27 / 44	27 / 44	27 / 44	27 / 44	27 / 44	
<b>EVAP. COIL</b>						
Material - Tube / Fin	Cu / Al	Cu / Al	Cu / Al	Cu / Al	Cu / Al	
Coil Type (Tube Dia.)	3/8-in. RTPF	3/8-in. RTPF	3/8-in. RTPF	3/8-in. RTPF	3/8-in. RTPF	
Rows / FPI	3 / 15	3 / 15	3 / 15	3 / 15	3 / 15	
Total face area (ft²)	5.5	7.3	7.3	8.9	8.9	
Condensate drain conn. size	3/4-in.	3/4-in.	3/4-in.	3/4-in.	3/4-in.	
<b>EVAPORATOR FAN AND MOTOR</b>						
<b>Standard Static 1-Phase</b>	Motor Qty. / Driver Type	1 / Direct	1 / Direct	1 / Direct	—	—
	Max BHP	1.0	1.0	1.0	—	—
	RPM range	600-1200	600-1200	600-1200	—	—
	Motor frame size	48	48	48	—	—
	Fan Qty. / Type	1 / Centrifugal	1 / Centrifugal	1 / Centrifugal	—	—
Fan Dia. x Length (in.)	10 x 10	10 x 10	10 x 11	—	—	
<b>Standard Static 3-Phase</b>	Motor Qty. / Driver Type	1 / Direct	1 / Direct	1 / Direct	1 / Belt	1 / Belt
	Max BHP	1.0	1.0	1.0	1.2	1.2
	RPM range	600-1200	600-1200	600-1200	489-747	489-652
	Motor frame size	48	48	48	56	56
	Fan Qty. / Type	1 / Centrifugal	1 / Centrifugal	1 / Centrifugal	1 / Centrifugal	1 / Centrifugal
Fan Dia. x Length (in.)	10 x 10	10 x 10	11 x 10	15 x 15	15 x 15	
<b>Medium Static 3-Phase</b>	Motor Qty. / Driver Type	1 / Belt	1 / Belt	1 / Belt	1 / Belt	1 / Belt
	Max BHP	1.5	1.5	2.0	2.9	2.9
	RPM range	819-1251	920-1303	1066-1380	733-949	591-838
	Motor frame size	56	56	56	56	56
	Fan Qty. / Type	1 / Centrifugal	1 / Centrifugal	1 / Centrifugal	1 / Centrifugal	1 / Centrifugal
Fan Dia. x Length (in.)	10 x 10	10 x 10	10 x 10	15 x 15	15 x 15	
<b>High Static 3-Phase</b>	Motor Qty. / Driver Type	1 / Belt	1 / Belt	1 / Belt	1 / Belt	1 / Belt
	Max BHP	2.0	2.0	2.9	4.0	2.9
	RPM range	1035-1466	1035-1466	1208-1550	909-1102	838-1084
	Motor frame size	56	56	56	45	145
	Fan Qty. / Type	1 / Centrifugal	1 / Centrifugal	1 / Centrifugal	1 / Centrifugal	1 / Centrifugal
Fan Dia. x Length (in.)	10 x 10	10 x 10	10 x 10	15 x 15	15 x 15	
<b>CONDENSER COIL</b>						
Material (Tube/Fin)	Cu / Al	Cu / Al	Cu / Al	Cu / Al	Cu / Al	
Coil type	3/8-in. RTPF	3/8-in. RTPF	3/8-in. RTPF	3/8-in. RTPF	3/8-in. RTPF	
Rows / FPI	2 / 17	2 / 17	2 / 17	2 / 17	2 / 17	
Total Face Area (ft²)	16.5	21.3	21.3	20.5	20.5	
<b>COND. FAN / MOTOR</b>						
Qty / Motor Drive Type	1 / direct	1 / direct	1 / direct	2 / direct	2 / direct	
Motor HP / RPM	1/8 / 825	1/4 / 1100	1/4 / 1100	1/4 / 1100	1/4 / 1100	
Fan diameter (in.)	22	22	22	22	22	
<b>FILTERS</b>						
RA Filter # / Size (in.)	2 / 16 x 25 x 2	4 / 16 x 16 x 2	4 / 16 x 16 x 2	4 / 16 x 20 x 2	4 / 16 x 20 x 2	
OA inlet screen # / Size (in.)	1 / 20 x 24 x 1	1 / 20 x 24 x 1	1 / 20 x 24 x 1	1 / 20 x 36 x 1	1 / 20 x 36 x 1	

# Physical data (cont)

## PHYSICAL DATA (COOLING) — 7.5-10 TONS

		549J08D	549J09D	549J12D
<b>REFRIGERATION SYSTEM</b>				
# Circuits / # Comp. / Type		2 / 2 / Scroll	2 / 2 / Scroll	2 / 2 / Scroll
Puron® (R-410A) Refrigerant Charge per circuit A/B (lbs-oz)		11 - 12 / 11 - 12	14-1/14-4	16-3/17-3
Metering device		TXV	TXV	TXV
High-press. Trip / Reset (psig)		630 / 505	630 / 505	630 / 505
Loss of Charge Press. Trip / Reset (psig)		27 / 44	27 / 44	27 / 44
Compressor Capacity Staging (%)		50 / 100	50 / 100	50 / 100
<b>EVAP. COIL</b>				
Material - Tube / Fin		Cu / Al	Cu / Al	Cu / Al
Coil Type (Tube Dia.)		$\frac{3}{8}$ -in. RTPF	$\frac{3}{8}$ -in. RTPF	$\frac{3}{8}$ -in. RTPF
Rows / FPI		4 / 15	4 / 15	3 / 15
Total face area (ft <sup>2</sup> )		11.1	11.1	17.3
Condensate drain conn. size		$\frac{3}{4}$ -in.	$\frac{3}{4}$ -in.	$\frac{3}{4}$ -in.
<b>EVAPORATOR FAN AND MOTOR</b>				
<b>Standard Static 3-Phase</b>	Motor Qty. / Driver Type	1 / Belt	1 / Belt	1 / Belt
	Max BHP	1.2	1.7	1.9
	RPM range	518-733	460-652	440-609
	Motor frame size	56	56	56
	Fan Qty. / Type	1 / Centrifugal	1 / Centrifugal	1 / Centrifugal
Fan Dia. x Length (in.)		15 x 15	15 x 15	18 x 18
<b>Medium Static 3-Phase</b>	Motor Qty. / Driver Type	1 / Belt	1 / Belt	1 / Belt
	Max BHP	1.7	2.9	2.9
	RPM range	690-936	591-838	547-757
	Motor frame size	56	56	56
	Fan Qty. / Type	1 / Centrifugal	1 / Centrifugal	1 / Centrifugal
Fan Dia. x Length (in.)		15 x 15	15 x 15	18 x 18
<b>High Static 3-Phase</b>	Motor Qty. / Driver Type	1 / Belt	1 / Belt	1 / Belt
	Max BHP	2.8	2.8	6.1
	RPM range	838-1084	838-1084	762-963
	Motor frame size	56	56	S184T
	Fan Qty. / Type	1 / Centrifugal	1 / Centrifugal	1 / Centrifugal
Fan Dia. x Length (in.)		15 x 15	15 x 15	18 x 18
<b>High Static High Efficiency 3-Phase</b>	Motor Qty. / Driver Type	—	—	1 / Belt
	Max BHP	—	—	6.5/6.9/7.0/8.3*
	RPM range	—	—	762-963
	Motor frame size	—	—	S184T
	Fan Qty. / Type	—	—	1 / Centrifugal
Fan Dia. x Length (in.)		—	—	18 x 18
<b>CONDENSER COIL</b>				
Material (Tube/Fin)		Cu / Al	Cu / Al	Cu / Al
Coil type		$\frac{3}{8}$ -in. RTPF	$\frac{3}{8}$ -in. RTPF	$\frac{3}{8}$ -in. RTPF
Rows / FPI		2 / 17	3 / 17	2 / 17
Total Face Area (ft <sup>2</sup> )		25.1	25.1	46.2
<b>COND. FAN / MOTOR</b>				
Qty / Motor Drive Type		2 / direct	1 / direct	3 / direct
Motor HP / RPM		$\frac{1}{4}$ / 1100	1 / 1175	1 / 1100
Fan diameter (in.)		22	30	22
<b>FILTERS</b>				
RA Filter # / Size (in.)		4 / 20 x 20 x 2	4 / 20 x 20 x 2	6 / 18 x 24 x 2
OA inlet screen # / Size (in.)		1 / 20 x 24 x 1	1 / 20 x 24 x 1	2 / 24 x 27 x 1 (Vert) 1 / 30 x 39 x 1 (Horiz)

\* On Size 12 units, Max BHP for the High Static motor varies with the motor's voltage; see the table below.

Voltage	BHP	Voltage	BHP
208	6.5	460	7.0
230	6.9	575	8.3



# Options and accessories

## FACTORY-INSTALLED AND FIELD-INSTALLED ACCESSORIES

CATEGORY	ITEM	FACTORY INSTALLED OPTION	FIELD INSTALLED ACCESSORY
<b>CABINET</b>	Hinged access doors	X	
	Thru-the-base electrical connections	X	X
	Supply duct kit-Horizontal air applications (size 12 only)		X
<b>COIL OPTIONS</b>	Cu/Cu indoor and/or outdoor coils <sup>5</sup>	X	
	Pre-coated outdoor coils <sup>5</sup>	X	
	Premium, E-coated outdoor coils <sup>5</sup>	X	
<b>CONDENSER PROTECTION</b>	Condenser coil hail guard (louvered design) <sup>5</sup>	X	X
<b>CONTROLS</b>	Thermostats, temperature sensors, and subbases		X
	RTU Open Multi-protocol controller	X	
	Smoke detector (supply and/or return air)	X	
	Horn/Strobe Annunciator <sup>8</sup>		X
	Time Guard II compressor delay control circuit		X
	Phase Monitor		X
	Condensate Overflow switch	X	X
<b>ECONOMIZERS &amp; OUTDOOR AIR DAMPERS</b>	EconoMiser IV for electro-mechanical controls – Non FDD (Standard air leak damper models) <sup>5,6</sup>	X	X
	EconoMiser2 for DDC controls, complies with FDD (Standard and Ultra Low Leak air damper models) <sup>5,7</sup>	X	X
	Motorized 2 position outdoor air damper <sup>5,9</sup>	X	X
	Manual outdoor air damper (25% and 50%) <sup>9</sup>		X
	Barometric relief <sup>1</sup>	X	X
	Power exhaust		X
	EconoMiser X for electro-mechanical controls, complies with FDD (Standard and Ultra Low Leak air damper models) <sup>5,6</sup>	X	X
<b>ECONOMIZER SENSORS &amp; IAQ DEVICES</b>	Single dry bulb temperature sensors <sup>2</sup>	X	X
	Differential dry bulb temperature sensors <sup>2</sup>		X
	Single enthalpy sensors <sup>2</sup>	X	X
	Differential enthalpy sensors <sup>2</sup>		X
	CO <sub>2</sub> sensor (wall, duct, or unit mounted) <sup>2</sup>	X	X
<b>ELECTRIC HEAT</b>	Electric Resistance Heaters		X
	Single Point Kit		X
<b>INDOOR MOTOR &amp; DRIVE</b>	Multiple motor and belt drive packages	X	
	Electric Drive, X13, 5-speed/torque (3-5 ton)	X	
	2-speed indoor fan system with VFD controller (2-stage cool only with electrical mechanical and RTU Open controls)	X	
	Display Kit for 2-Speed Indoor Fan Motor System with VFD		X
<b>LOW AMBIENT CONTROL</b>	Motormaster® head pressure controller <sup>3</sup>		X
<b>POWER OPTIONS</b>	Convenience outlet (powered) <sup>5</sup>	X	
	Convenience outlet (unpowered): 15 amp factory-installed 20 amp field-installed	X	X
	Non-fused disconnect <sup>4</sup>	X	
<b>ROOF CURBS</b>	Roof curb 14-in. (356 mm)		X
	Roof curb 24-in. (610 mm)		X

NOTES:

- Included with economizer.
- Sensors for optimizing economizer.
- See application data for assistance.
- Non-fused disconnect switch cannot be used when unit electrical rating exceeds:  
04-09 sizes: 208-230/1/60 and 208-230/3/60 = 80 amps (FLA)  
460/3/60 and 575/3/60 = 80 amps (FLA)  
12 size: 208-230/3/60 = 115 amps (MCA)  
460/3/60 and 575/3/60 = 100 amps (FLA)  
Bryant RTUBuilder automatically selects the amps limitations.
- Not available as a factory-installed option on single phase (208-230/1/60) models. Use field-install accessory where available.
- FDD (Fault Detection and Diagnostic) capability per California Title 24 section 120.2.
- Models with RTU Open DDC controller comply with California Title 24 Fault Detection and Diagnostic (FDD).
- Requires a field-supplied 24V transformer for each application. See price pages for details.
- Not available with 2-speed indoor fan motor.

# Options and accessories (cont)

## Economizer

Economizers can reduce operating costs. They bring in fresh, outside air for ventilation; and provide cool outside air to cool your building. This also is the preferred method of low ambient cooling. When coupled to CO<sub>2</sub> sensors, economizers can limit the ventilation air to only the amount required.

Economizers are available, installed and tested by the factory, with either enthalpy or temperature dry-bulb inputs. There are also models for electro-mechanical, direct digital controllers and single speed fan or 2-speed indoor fan motors. Additional sensors are available as accessories to optimize the economizer.

Economizers include gravity-controlled barometric relief that helps equalize building pressure and ambient air pressures. This can be a cost effective solution to prevent building pressurization. Economizers are available in Ultra Low Leak and standard low leak versions.

## CO<sub>2</sub> sensor

The CO<sub>2</sub> sensor works with the economizer to intake only the correct amount of outside air for ventilation. As occupants fill your building, the CO<sub>2</sub> sensor detects their presence through increasing CO<sub>2</sub> levels, and opens the economizer appropriately.

When the occupants leave, the CO<sub>2</sub> levels decrease, and the sensor appropriately closes the economizer. This intelligent control of the ventilation air, called Demand Controlled Ventilation (DCV), reduces the overall load on the rooftop, saving money.

## Smoke detectors

Trust the experts. Smoke detectors make your application safer and your job easier. Bryant smoke detectors immediately shut down the rooftop unit when smoke is detected. They are available, installed by the factory, for supply air, return air, or both.

## Louvered hail guards

Sleek, louvered panels protect the condenser coil from hail damage, foreign objects, and incidental contact.

## Convenience outlet (powered or unpowered)

Reduce service and/or installation costs by including a convenience outlet in your specification. Bryant will install this service feature at our factory. Provides a convenient, 15 amp, 115v GFCI receptacle with “Wet in Use” cover. The “powered” option allows the installer to power the outlet from the line side of the disconnect or load side as required by code. The “unpowered” option is to be powered from a separate (non-unit) 115/120v power source. The unpowered convenience outlet is available as a 15 amp factory-installed option or a 20 amp field-installed accessory.

The 20 amp unpowered convenience outlet kit provides a flexible installation method which allows code compliance for height requirements of the GFCI outlet from the finished roof surface as well as the capability to relocate the outlet to a more convenient location, if necessary.

## Non-fused disconnect

This OSHA-compliant, factory-installed, safety switch allows a service technician to locally secure power to the rooftop. When selecting a factory-installed non-fused disconnect, note they are sized for the unit as ordered from the factory. The sizing does not accommodate field-installed items such as power exhaust devices, etc.

## Power exhaust pressure relief

Superior internal building pressure control. This field-installed accessory may eliminate the need for costly, external pressure control fans.

## RTU Open, multi-protocol controller

Connect the rooftop to an existing BAS (building automation system) without needing complicated translators or adapter modules using the RTU Open controller. The RTU Open controller speaks the 4 most common building automation system languages (BACnet<sup>1</sup>, Modbus<sup>2</sup>, N2, and LonWorks<sup>3</sup>). Use this controller when you have an existing BAS. Besides the 4 protocols, it also communicates with a Bryant Open system (VVT®).

## Time guard II control circuit

This accessory protects your compressor by preventing short-cycling in the event of some other failure, prevents the compressor from restarting for 30 seconds after stopping. Not required with RTU Open controller or authorized commercial thermostats.

## Motorized 2-position damper

The new Bryant 2-position, motorized outdoor air damper admits up to 100% outside air. Using reliable, gear-driven technology, the 2-position damper opens to allow ventilation air and closes when the rooftop stops, stopping unwanted infiltration. Not available with 2-Speed Indoor Fan Motor System models.

## Manual OA damper

Manual outdoor air dampers are an economical way to bring in ventilation air. The dampers are available in 25% and 50% versions. Not available with 2-Speed Indoor Fan Motor System models.

## Electric heaters

Bryant offers a full line of field-installed accessory heaters. The heaters are very easy to use and install. All are pre-engineered and certified.

## Hinged access panels

Allows access to unit's major components with specifically designed hinged access panels. Panels are: filter, control box, fan motor and compressor.

## 2-Speed Indoor Fan Motor System

Bryant's 2-Speed Indoor Fan Motor System saves energy and installation time by utilizing a Variable Frequency Drive (VFD) to automatically adjust the indoor fan motor speed in sequence with the units cooling operation. Per ASHRAE 90.1-2016 and IECC-2015 standards, during the first stage of cooling operation the VFD will adjust the fan motor to provide 66% of the total cfm established for the unit. When a call for the second stage of cooling is required, the VFD will allow the total cfm for the unit established (100%). During the heating mode, the VFD will allow total design cfm (100%) operation and during the ventilation mode, the VFD will allow operation to 66% of total cfm.

- 
1. BACnet is a registered trademark of ASHRAE (American Society of Heating, Refrigerating and Air-Conditioning Engineers).
  2. Modbus is a registered trademark of Schneider Electric.
  3. LonWorks is a registered trademark of Echelon Corporation.

Compared to single speed indoor fan motor systems, Bryant's 2-Speed Indoor Fan Motor System can save substantial energy, 25%+, versus single speed indoor fan motor systems.

**IMPORTANT:** Data based on 0.10 (\$/kWh) in an office application utilizing Bryant's HAP 4.6 simulation software program.

The VFD used in Bryant's 2-Speed Indoor Fan Motor System has soft start capabilities to slowly ramp up the speeds, thus eliminating any high inrush air volume during initial start-up. It also has internal over current protection for the fan motor and a field-installed display kit that allows adjustment and in depth diagnostics of the VFD.

This 2-Speed Indoor Fan Motor System is available on models with 2-stage cooling operation with electrical mechanical or RTU Open (multi protocol) controls. Both space sensor and conventional thermostats controls can be used to provide accurate control in any application.

The 2-Speed Indoor Fan Motor System is very flexible for initial fan performance set up and adjustment. The standard factory shipped VFD is pre-programmed to automatically stage the fan speed between the first and second stage of cooling. The unit fan performance static pressure and cfm can be easily adjusted using the traditional means of pulley adjustments. The other means to adjust the unit static and cfm performance is to utilize the field-installed Display Kit and adjust the frequency and voltage in the VFD to required performance requirements. In either case, once set up, the VFD will automatically adjust the speed between the cooling stage operations.

### **Motormaster® head pressure controller**

The Motormaster motor controller is a low ambient, head pressure controller kit that is designed to maintain the unit's condenser head pressure during periods of low ambient cooling operation. This device should be used as an alternative to economizer free cooling when economizer usage is either not appropriate or desired. The Motormaster controller will either cycle the outdoor fan motors or operate them at reduced speed to maintain the unit operation, depending on the model.

### **Alternate motors and drives**

Some applications need larger horsepower motors, some need more airflow, and some need both. Regardless of the case, your Bryant expert has a factory-installed combination to meet your application. A wide selection of motors and pulleys (drives) are available, factory-installed, to handle nearly any application.

### **Thru-the-base connections**

Thru-the-base connections, available as either an accessory or as a factory option, are necessary to ensure proper connection and seal when routing wire and piping through the rooftop's basepan and curb. These couplings eliminate roof penetration and should be considered for main power lines, as well as control power.

### **Condenser overflow switch (factory-installed option)**

This sensor and related controller monitors the condensate level in the drain pan and shuts down compression operation when overflow conditions occur. It includes:

- Indicator light - solid red (more than 10 seconds on water contact - compressors disabled), blinking red (sensor disconnected)
- 10 second delay to break - eliminates nuisance trips from splashing or waves in pan (sensor needs 10 seconds of constant water contact before tripping)
- Disables the compressor(s) operation when condensate plug is detected, but still allows fans to run for economizer.

### **California OSHPD Seismic Certification Label**

Units meet the seismic requirements of the International Code Council Evaluation Service (ICC-ES) document AC156 (Acceptance Criteria for Seismic Qualification by Shake-Table Testing of Nonstructural Components and Systems) and per International Building Code (IBC 2009) at an SDS (g) value of 2.00  $z/h=1.0$ ,  $I_p=1.5$  and certified by independent structural engineers. A certification label is applied to the unit that meets the CA OSHPD Special Seismic Certification pre-approval labeling requirements on the external chassis of the unit.

OSHPD not available on units with factory-installed hail guards.

# Options and accessories (cont)

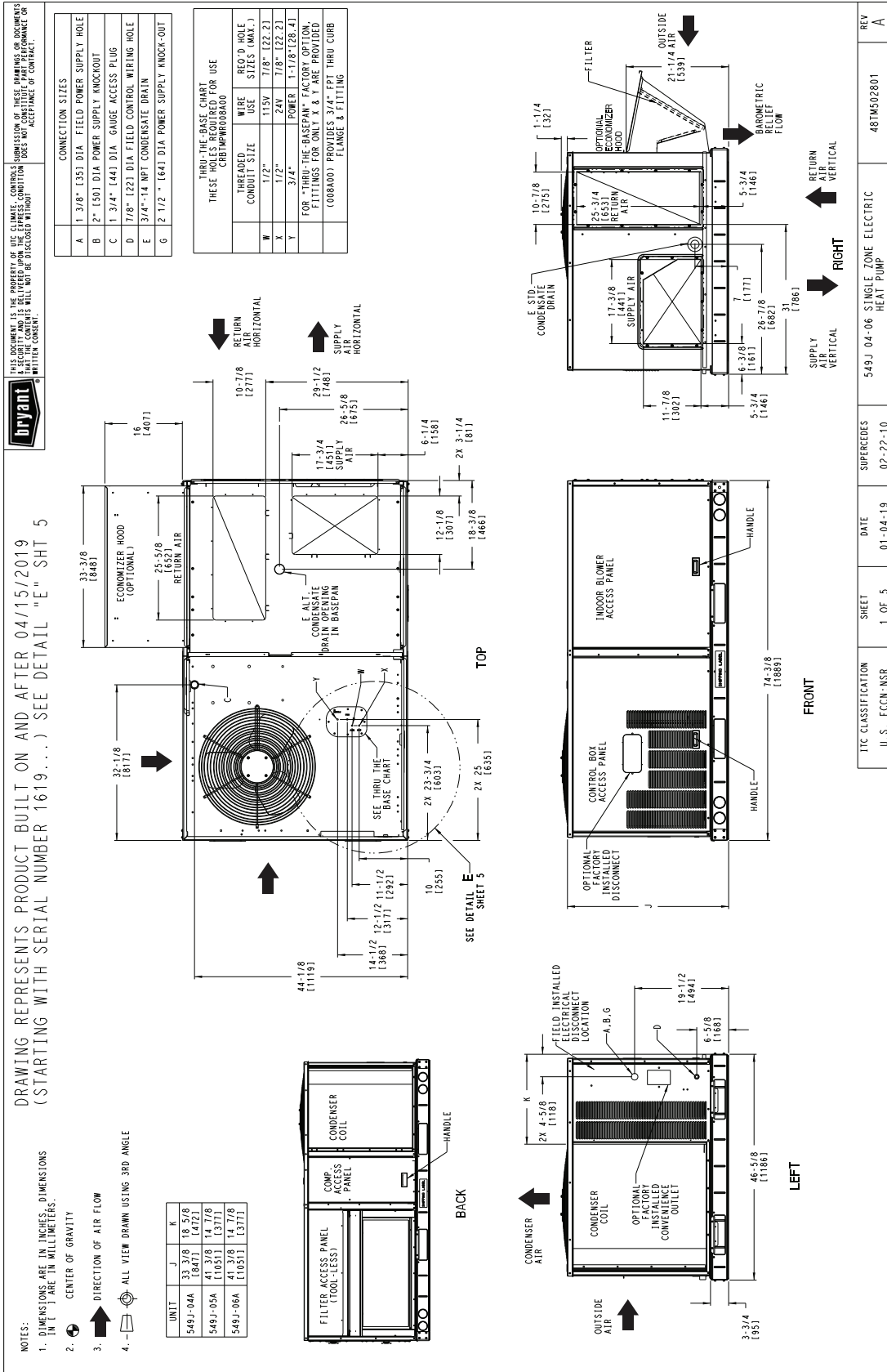
## OPTIONS AND ACCESSORIES — WEIGHT ADDERS

BASE UNIT WITH OPTIONS AND ACCESSORIES (WEIGHT ADDERS)	549J MAX WEIGHT ADDER													
	04		05		06		07		08		09		12	
	lb	kg	lb	kg	lb	kg	lb	kg	lb	kg	lb	kg	lb	kg
Power Exhaust - Vertical	50	23	50	23	50	23	50	23	75	34	75	34	85	39
Power Exhaust - Horizontal	30	14	30	14	30	14	30	14	30	14	30	14	75	34
EconoMiSer® (IV, X, or 2)	50	23	50	23	50	23	50	23	75	34	75	34	115	52
Two Position Damper	39	18	39	18	39	18	39	18	58	26	58	26	65	29
Manual Dampers	12	5	12	5	12	5	12	5	18	8	18	8	25	11
Hail Guard (louvered)	16	7	16	7	16	7	16	7	34	15	34	15	45	20
Cu/Cu Condenser Coil	35	16	35	16	35	16	95	43	95	43	95	43	160	73
Cu/Cu Cond. and Evaporator Coils	60	27	60	27	90	41	165	75	140	64	195	88	280	127
Roof Curb 14-in. (356 mm)	115	52	115	52	115	52	143	65	143	65	143	65	180	82
Roof Curb 24-in. (610 mm)	197	89	197	89	197	89	245	111	245	111	245	111	255	116
CO <sub>2</sub> Sensor	5	2	5	2	5	2	5	2	5	2	5	2	5	2
Electric Heater	30	14	30	14	30	14	30	14	45	20	45	20	25	11
Single Point Kit	10	5	10	5	10	5	10	5	12	5	12	5	25	11
Optional Indoor Motor / Drive	10	5	10	5	10	5	10	5	15	7	15	7	45	20
Motormaster® Controller	35	16	35	16	35	16	35	16	35	16	35	16	35	16
Return Smoke Detector	5	2	5	2	5	2	5	2	5	2	5	2	5	2
Supply Smoke Detector	5	2	5	2	5	2	5	2	5	2	5	2	5	2
Non-Fused Disconnect	15	7	15	7	15	7	15	7	15	7	15	7	15	7
Powered Convenience Outlet	35	16	35	16	35	16	35	16	35	16	35	16	35	16
Non-Powered Convenience Outlet	5	2	5	2	5	2	5	2	5	2	5	2	5	2
Enthalpy Sensor	2	1	2	1	2	1	2	1	2	1	2	1	2	1
Differential Enthalpy Sensor	3	1	3	1	3	1	3	1	3	1	3	1	3	1
2-Speed Indoor Fan Motor System with VFD	—	—	—	—	—	—	20	9	20	9	20	9	20	9

NOTE: Where multiple variations are available, the heaviest combination is listed.

# Dimensions

## UNIT DIMENSIONAL DRAWING - UNIT SIZES 04-06 (UNITS BUILT ON AND AFTER 4/15/2019)



**U.S. ELECTRIC CLASSIFICATION**  
U.S. ECCN: NSR

**SHEET**  
1 OF 5

**DATE**  
01-04-19

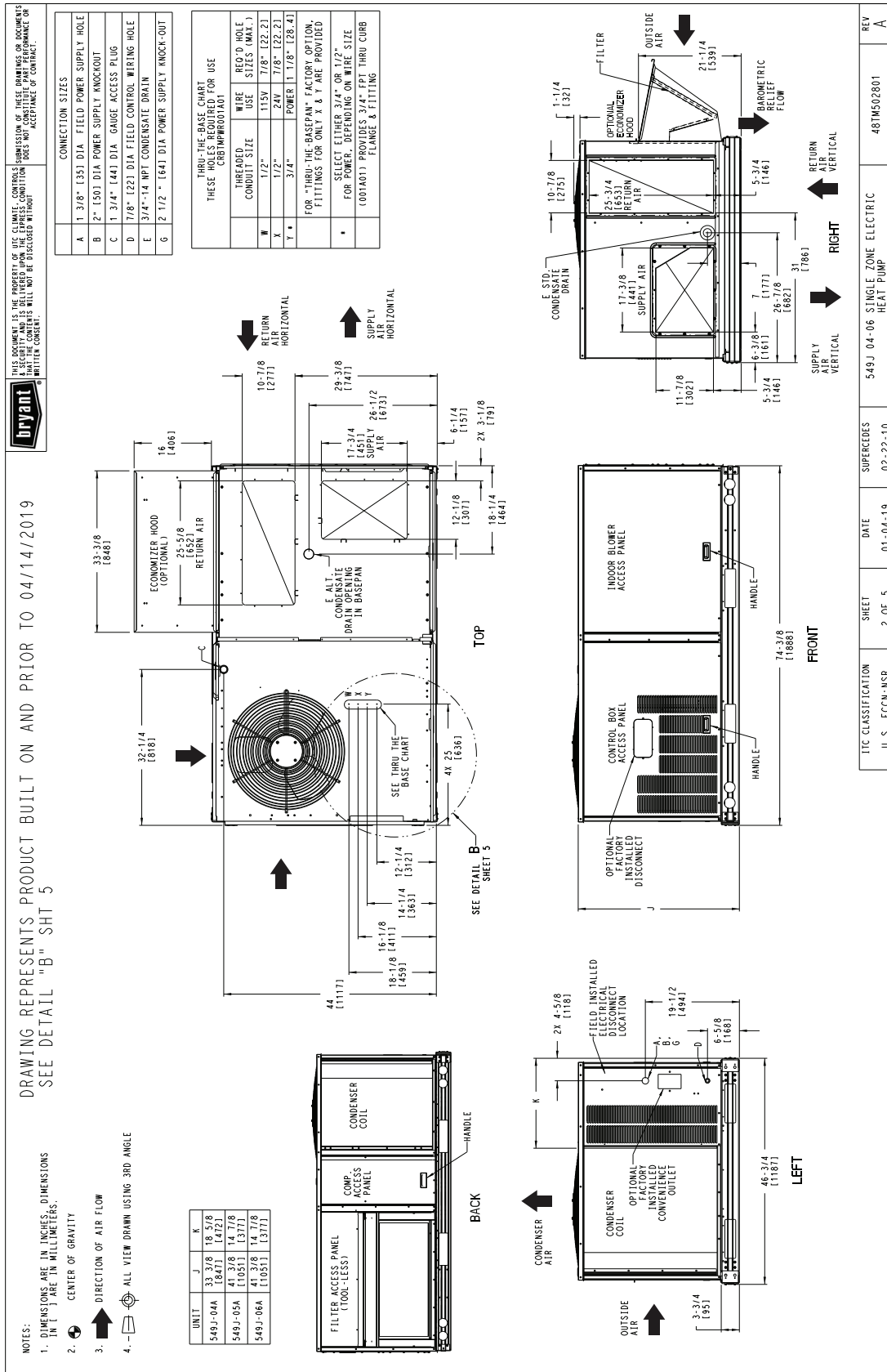
**REV**  
A

**487M502801**

**549J 04-06 SINGLE ZONE ELECTRIC HEAT PUMP**

# Dimensions (cont)

## UNIT DIMENSIONAL DRAWING - UNIT SIZES 04-06 (UNITS BUILT ON AND PRIOR TO 4/14/2019)



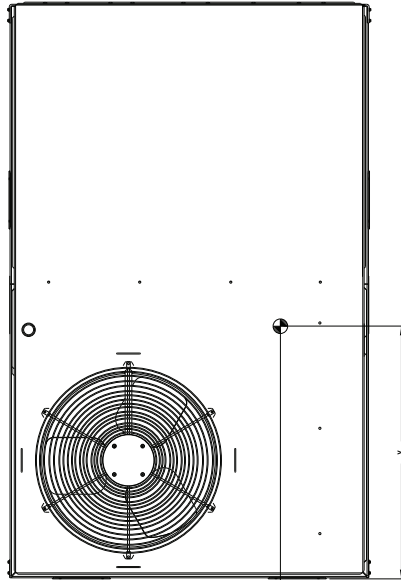
ITC CLASSIFICATION	U.S. ECCN: NSR	SHEET	2 OF 5	DATE	01-04-19	SUPERSEDES	02-22-10	549J 04-06 SINGLE ZONE ELECTRIC HEAT PUMP	48TMS02801	REV	A
--------------------	----------------	-------	--------	------	----------	------------	----------	---	------------	-----	---

# UNIT DIMENSIONAL DRAWING - UNIT SIZES 04-06 (cont)



UNIT	STD. UNIT WEIGHT		CORNER WEIGHT (A)		CORNER WEIGHT (B)		CORNER WEIGHT (C)		CORNER WEIGHT (D)		C.G.			HEIGHT					
	LB.	KG.	LB.	KG.	LB.	KG.	LB.	KG.	LB.	KG.	IN.	MM.	IN.	MM.	IN.	MM.			
545J-04A	495	225	130	59	118	54	118	54	130	59	35	3/8	1893	23	3/8	594	18	3/8	1467
545J-05A	580	263	161	73	147	67	130	59	142	64	35	1/2	1902	21	1/8	536	20	1/2	1321
545J-06A	610	277	163	75	152	69	141	64	152	69	35	3/4	1908	22	1/2	532	20	3/4	1321

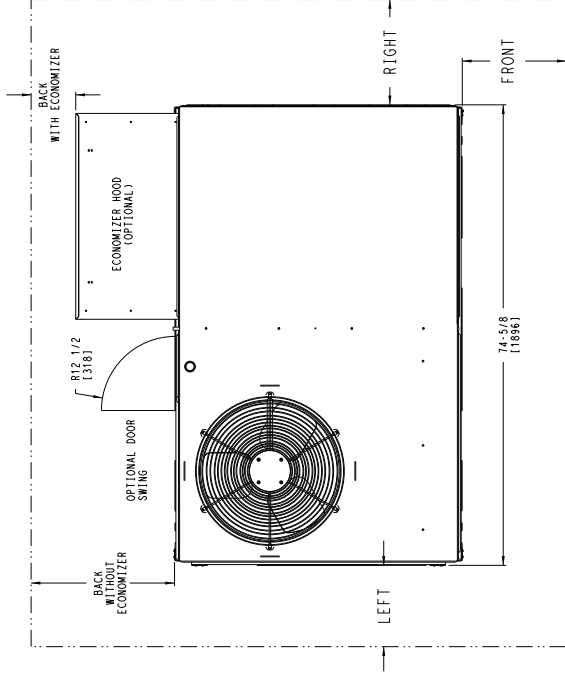
CORNER B



CORNER D

CORNER C

TOP

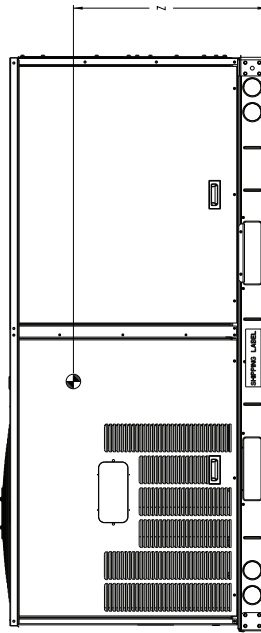


NOTES:

- FOR ALL MINIMUM CLEARANCES LOCAL CODES OR JURISDICTIONS MAY PREVAIL.

SURFACE	CLEARANCE		SERVICE WITH:		OPERATING	
	CONDUCTIVE BARRIER	INDUCTIVE BARRIER	CONDUCTIVE BARRIER	INDUCTIVE BARRIER	CLEARANCE	CLEARANCE
FRONT	48 [1219mm]	36 [914mm]	48 [1219mm]	36 [914mm]	18 [457mm]	18 [457mm]
LEFT	48 [1219mm]	42 [1067mm]	48 [1219mm]	42 [1067mm]	18 [457mm]	18 [457mm]
BACK	48 [1219mm]	42 [1067mm]	48 [1219mm]	42 [1067mm]	18 [457mm]	18 [457mm]
BACK W/HOOD	36 [914mm]	36 [914mm]	36 [914mm]	36 [914mm]	18 [457mm]	18 [457mm]
RIGHT	36 [914mm]	36 [914mm]	36 [914mm]	36 [914mm]	18 [457mm]	18 [457mm]
TOP	72 [1829mm]	72 [1829mm]	72 [1829mm]	72 [1829mm]	72 [1829mm]	72 [1829mm]

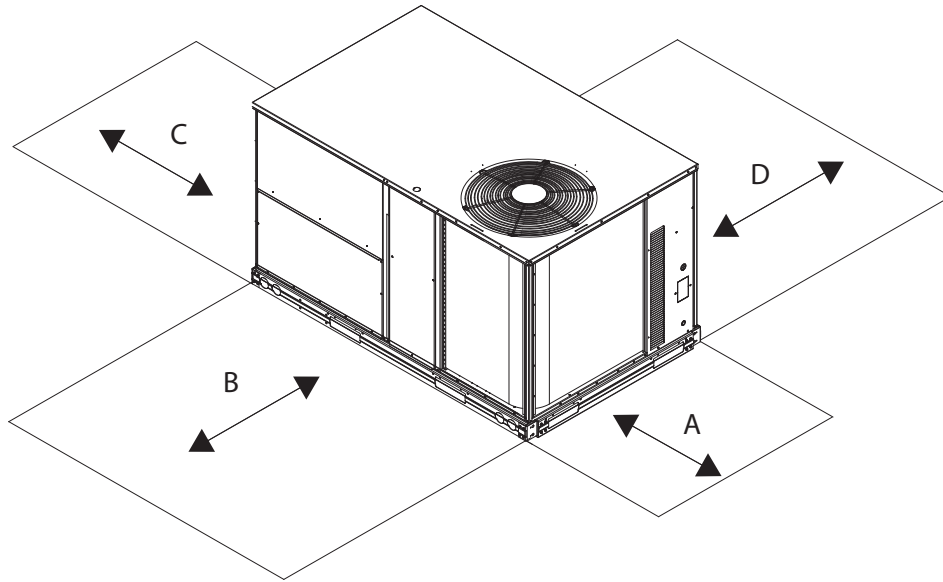
ITC CLASSIFICATION	SHEET	DATE	REV
U.S. ECCN:NSR	3 OF 5	01-04-19	A
SUPERCEDES		549J 04-06 SINGLE ZONE ELECTRIC HEAT PUMP	48TMS02801



FRONT

# Dimensions (cont)

SERVICE CLEARANCE DIMENSIONAL DRAWING - UNIT SIZES 04-06



LOCATION	DIMENSION	CONDITION
<b>A</b>	48-in. (1219 mm) 18-in. (457 mm) 18-in. (457 mm) 12-in. (305 mm)	Unit disconnect is mounted on panel No disconnect, convenience outlet option Recommended service clearance Minimum clearance
<b>B</b>	42-in. (1067 mm) 36-in. (914 mm) Special	Surface behind servicer is grounded (e.g., metal, masonry wall) Surface behind servicer is electrically non-conductive (e.g., wood, fiberglass) Check for sources of flue products within 10-ft of unit fresh air intake hood
<b>C</b>	36-in. (914 mm) 18-in. (457 mm)	Side condensate drain is used Minimum clearance
<b>D</b>	42-in. (1067 mm) 36-in. (914 mm)	Surface behind servicer is grounded (e.g., metal, masonry wall, another unit) Surface behind servicer is electrically non-conductive (e.g., wood, fiberglass)

NOTE: Unit not designed to have overhead obstruction. Contact Application Engineering for guidance on any application planning overhead obstruction or for vertical clearances.



# ROOF CURB DETAILS - UNIT SIZES 04-06

**NOTES:**

1. ROOF CURB ACCESSORY IS SHIPPED DISASSEMBLED.
2. DIMENSIONS IN PARENTHESES ARE IN MILLIMETERS.
3. DIMENSIONS IN [ ] ARE IN MILLIMETERS.
4. ROOF CURB: 18 GAGE STEEL.
5. ATTACH DUCTWORK TO CURB. (FLANGES OF DUCT REST ON CURB).
6. SEAL DUCTWORK TO CURB WITH GASKET ON EACH SIDE.
7. DIRECTION OF AIR FLOW.
8. CONNECTOR PACKAGE CRBTMPWR001A01 IS FOR THRU-THE-CURB GAS TYPE PACKAGE CRBTMPWR002A01 IS FOR THRU-THE-BOTTOM TYPE GAS CONNECTIONS.

**SECTION E-E**  
SCALE 0.25X

**VIEW "B" CORNER DETAIL**

**VIEW "A"**

**SECTION E-E**  
SCALE 0.25X

**VIEW "B"**

**VIEW "A"**

**SECTION E-E**  
SCALE 0.25X

**VIEW "B"**

**VIEW "A"**

**CERTIFIED DRAWING**

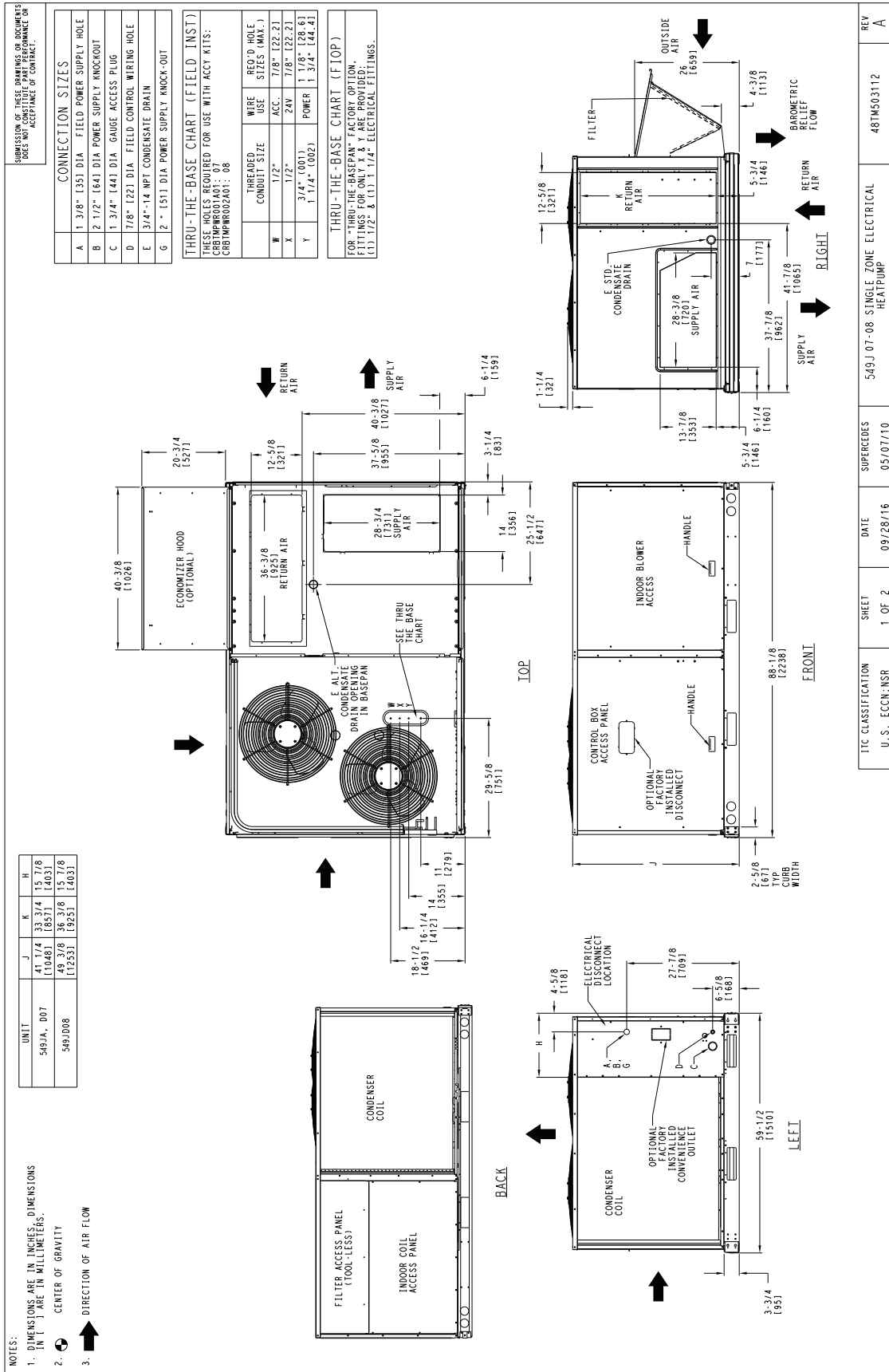
DRAWING RELEASE LEVEL:		PRODUCTION	
THIRD ANGLE PROJECTION	UNLESS OTHERWISE SPECIFIED DIMENSIONS ARE IN INCHES	TOLERANCES ON:	TOLERANCES ON:
MATERIAL	L.DEC	L.DEC	L.DEC
ENGINEERING REQUIREMENTS	E	E	E
T-005, Y-002	E	E	E
SURFACE FINISH	E	E	E
ENGINEERING	E	E	E
MANUFACTURING	E	E	E
AUTHORIZATION NUMBER	E	E	E
1041738	E	E	E
ENGINEERING	E	E	E
MANUFACTURING	E	E	E
DRAWING NUMBER	E	E	E
48TC400427	E	E	E
NEXT DRAWING	E	E	E
SCALE	E	E	E
N/A	E	E	E
DISTRIBUTION	E	E	E
MMC	E	E	E

REV	DESCRIPTION	DATE	BY	CHK'D	APP'D	ECN NO.
A	OVERALL DIM 57-3/8" WAS 67-7/8" 18CA MATERIAL WA 16 GA. NAIL FIELD SUPPLIED WAS WITH CURB	04/22/13	MMC			1087888
	REVISION RECORD					

CONNECTOR PKG. ACC.	GAS CONNECTION TYPE	GAS FITTING	POWER WIRING FITTING	CONTROL WIRING FITTING	ACCESSORY CONVENIENCE OUTLET WIRING CONNECTOR
CRBTMPWR001A01	THRU THE CURB	3/4" [19] NPT	3/4" [19] NPT	1/2" [12.7] NPT	1/2" [12.7] NPT
CRBTMPWR002A01	THRU THE BOTTOM	1/2" [12.7] NPT	1/2" [12.7] NPT	1/2" [12.7] NPT	1/2" [12.7] NPT

# Dimensions (cont)

## UNIT DIMENSIONAL DRAWING - UNIT SIZES 07-08



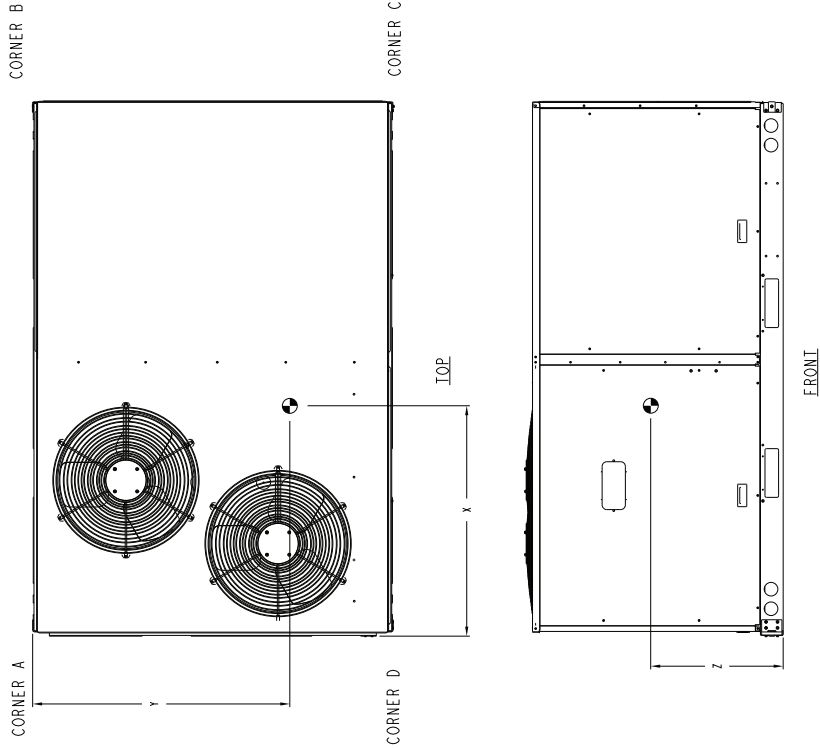
REVISIONS	481M503112	REV	A
549J 07-08 SINGLE ZONE ELECTRICAL HEAT/PUMP			
SUPERCHGERS	05/07/10	DATE	
SHEET	1 OF 2	SHEET	

## UNIT DIMENSIONAL DRAWING - UNIT SIZE 07-08 (cont)

ADMISSION OF THESE DRAWINGS OF PRODUCTS  
 DOES NOT CONSTITUTE AN ENDORSEMENT OR  
 ACCEPTANCE OF CONTRACT.

\* STANDARD UNIT WEIGHT IS WITHOUT ELECTRIC HEAT AND WITHOUT PACKAGING.  
 FOR OTHER OPTIONS AND ACCESSORIES, REFER TO THE PRODUCT DATA CATALOG.

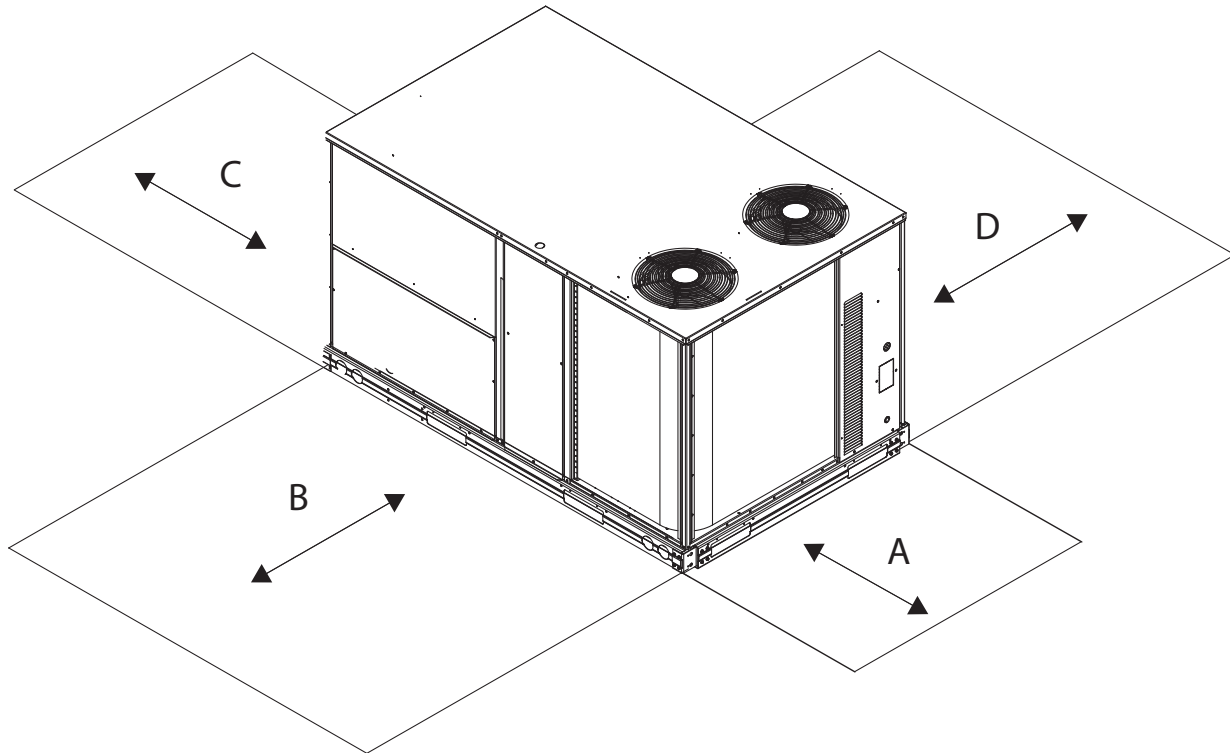
UNIT	CORNER A		CORNER B		CORNER C		CORNER D		C. G.					
	WGT. (KG)	WGT. (LBS.)	WGT. (KG)	WGT. (LBS.)	WGT. (KG)	WGT. (LBS.)	WGT. (KG)	WGT. (LBS.)	X	Y	Z			
549JA_007	110	242	162	357.3	129	283	186	411.6	39	51/8 (1281)	34	1/8 (861)	21	11/4 (1540)
349J006	815	1797	190	418.2	160	352.6	233	514.8	284	178.8	40	110 (16)	34	51/8 (1319)



REV	DESCRIPTION	DATE	SUPERCEDES	TIC CLASSIFICATION	SHEET
A	481M503112	09/28/16	05/07/10	549J_07-08 SINGLE ZONE ELECTRICAL HEATPUMP	2 OF 2

# Dimensions (cont)

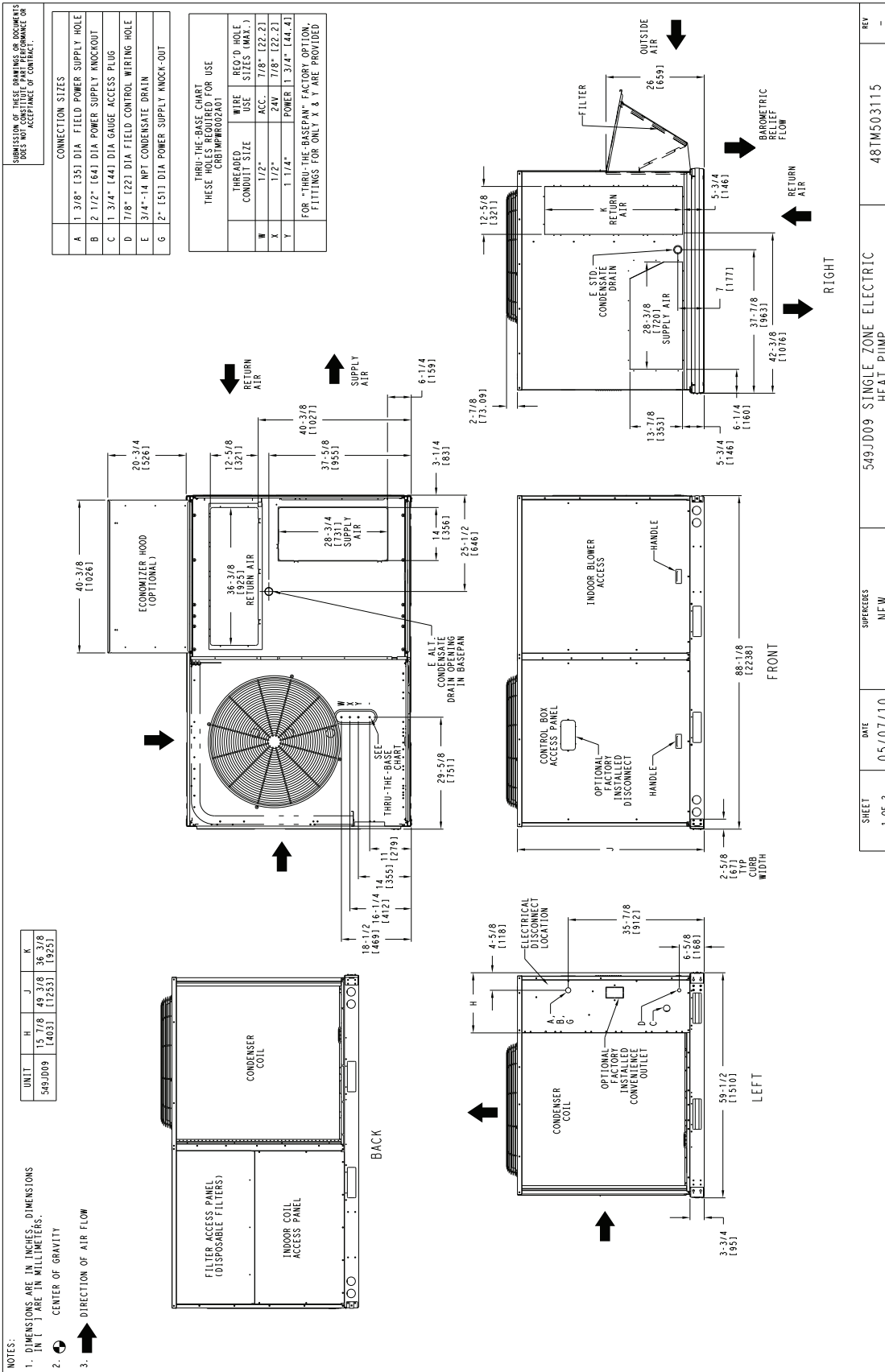
**SERVICE CLEARANCE DIMENSIONAL DRAWING - UNIT SIZES 07-08**



LOCATION	DIMENSION	CONDITION
<b>A</b>	48-in. (1219 mm) 18-in. (457 mm) 18-in. (457 mm) 12-in. (305 mm)	Unit disconnect is mounted on panel No disconnect, convenience outlet option Recommended service clearance Minimum clearance
<b>B</b>	42-in. (1067 mm) 36-in. (914 mm) Special	Surface behind servicer is grounded (e.g., metal, masonry wall) Surface behind servicer is electrically non-conductive (e.g., wood, fiberglass) Check for sources of flue products within 10-ft of unit fresh air intake hood
<b>C</b>	36-in. (914 mm) 18-in. (457 mm)	Side condensate drain is used Minimum clearance
<b>D</b>	42-in. (1067 mm) 36-in. (914 mm)	Surface behind servicer is grounded (e.g., metal, masonry wall, another unit) Surface behind servicer is electrically non-conductive (e.g., wood, fiberglass)

NOTE: Unit not designed to have overhead obstruction. Contact Application Engineering for guidance on any application planning overhead obstruction or for vertical clearances.

# UNIT DIMENSIONAL DRAWING - UNIT SIZE 09



# Dimensions (cont)

## UNIT DIMENSIONAL DRAWING - UNIT SIZE 09 (cont)

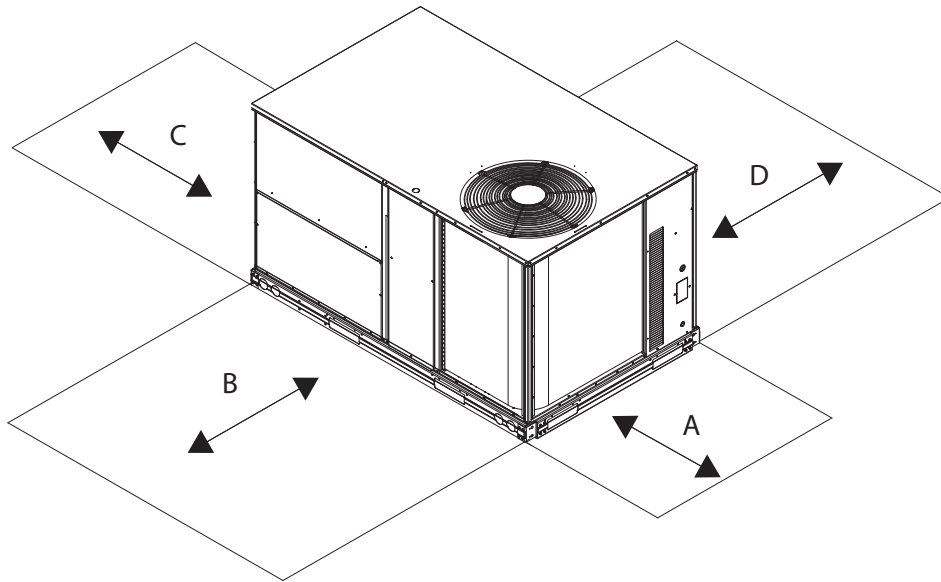
UNIT	STD. UNIT WEIGHT*		CORNER WEIGHT (A)		CORNER WEIGHT (B)		CORNER WEIGHT (C)		CORNER WEIGHT (D)		C.G.					
	LBS.	KG.	LBS.	KG.	LBS.	KG.	LBS.	KG.	LBS.	KG.	X	Y	Z			
549JD09	1020	463	255	115.7	199	90.3	248	112.5	318	144.2	38 1/4	97 1/2	32	81 1/3	24	61 0

\* STANDARD UNIT WEIGHT IS WITHOUT ELECTRIC HEAT AND WITHOUT PACKAGING. FOR OPTIONS AND ACCESSORIES REFER TO THE PRODUCT DATA CATALOG.

SUBMISSION OF THESE DRAWINGS OR DOCUMENTS DOES NOT CONSTITUTE AN OFFER OR ACCEPTANCE OF CONTRACT.

SHEET	DATE	SUPERCERES	549JD09 SINGLE ZONE ELECTRIC HEAT PUMP	48TM503115	REF
2 OF 2	05/07/10	NEW			-

### SERVICE CLEARANCE DIMENSIONAL DRAWING - UNIT SIZE 09



LOCATION	DIMENSION	CONDITION
<b>A</b>	48-in. (1219 mm) 18-in. (457 mm) 18-in. (457 mm) 12-in. (305 mm)	Unit disconnect is mounted on panel No disconnect, convenience outlet option Recommended service clearance Minimum clearance
<b>B</b>	42-in. (1067 mm) 36-in. (914 mm) Special	Surface behind servicer is grounded (e.g., metal, masonry wall) Surface behind servicer is electrically non-conductive (e.g., wood, fiberglass) Check for sources of flue products within 10-ft of unit fresh air intake hood
<b>C</b>	36-in. (914 mm) 18-in. (457 mm)	Side condensate drain is used Minimum clearance
<b>D</b>	42-in. (1067 mm) 36-in. (914 mm)	Surface behind servicer is grounded (e.g., metal, masonry wall, another unit) Surface behind servicer is electrically non-conductive (e.g., wood, fiberglass)

NOTE: Unit not designed to have overhead obstruction. Contact Application Engineering for guidance on any application planning overhead obstruction or for vertical clearances.

# Dimensions (cont)

## ROOF CURB DETAILS - UNIT SIZES 07-09

**ROOF CURB ACCESSORY #**

CRFCURB0030A01	14"	[356]
CRFCURB004A01	24"	[610]

**NOTES:**

1. ROOF CURB ACCESSORY IS SHIPPED DISASSEMBLED.
2. INSULATION IS POLYURETHANE FOAM, 4.5 1"-3/4" # DENSITY.
3. DIMENSIONS IN [ ] ARE IN MILLIMETERS.
4. ROOF CURB: 18 GAGE STEEL.
5. ATTACH DUCTWORK TO CURB. (FLANGES OF DUCT REST ON CURB).
6. INSULATE CURB FROM EACH SIDE.
7. DIRECTION OF AIR FLOW.
8. CONNECTOR OR PACKAGE CRBTMPWR002A01 IS FOR THRU-THE-CURB GAS TYPE PACKAGE CRBTMPWR004A01 IS FOR THRU-THE-BOTTOM TYPE GAS CONNECTIONS.

SECTION THRU SIDE

VIEW "B" CORNER DETAIL

TOP VIEW

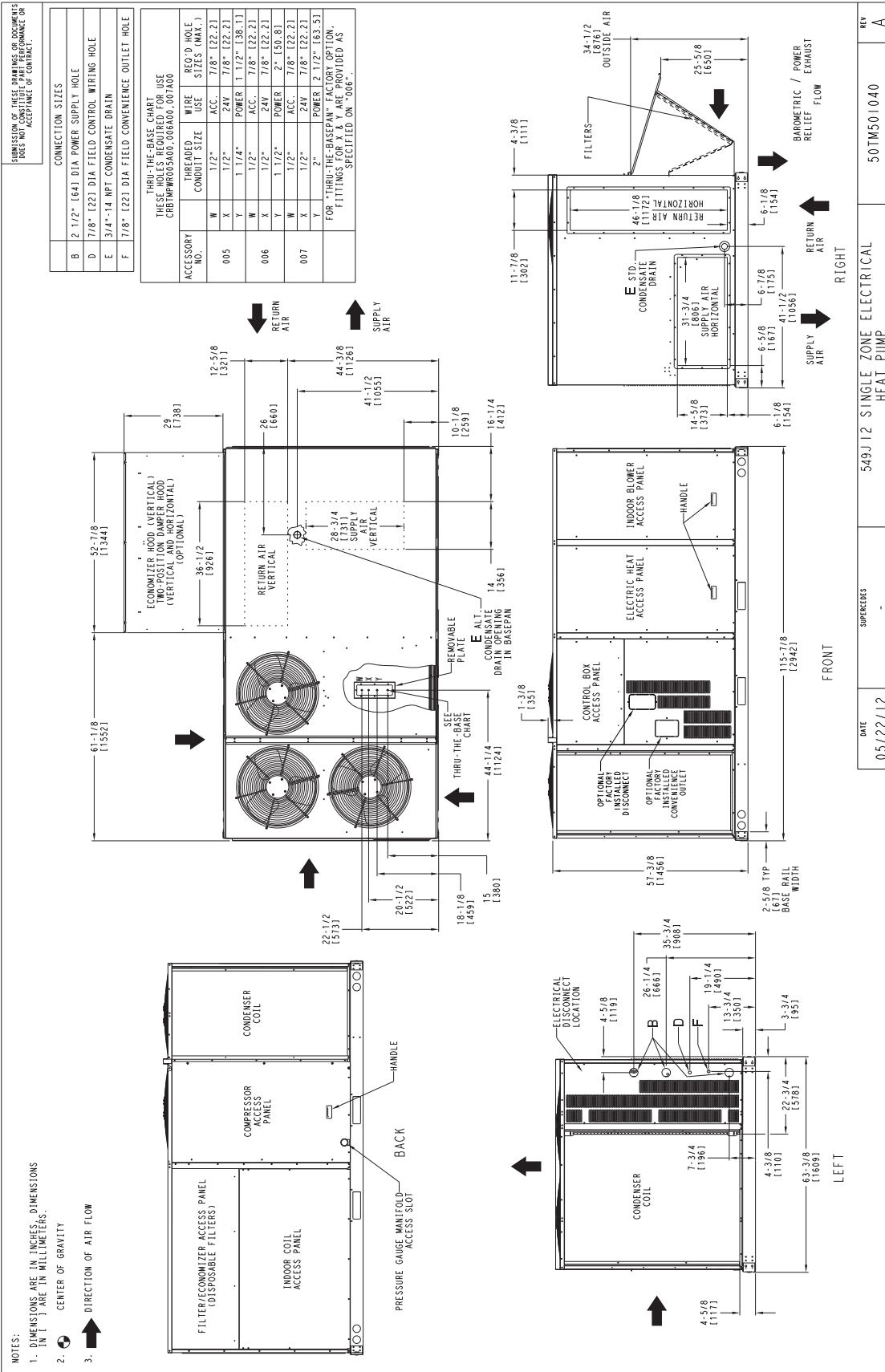
MAIN PERSPECTIVE VIEW

**CERTIFIED DRAWING**

DRAWING RELEASE LEVEL: PRODUCTION		UNLESS OTHERWISE SPECIFIED DIMENSIONS ARE TO BE TAKEN FROM THE DIMENSION LINES	
THIRD ANGLE PROJECTION	UNLESS OTHERWISE SPECIFIED DIMENSIONS ARE TO BE TAKEN FROM THE DIMENSION LINES	1 DEC ±	2 DEC ±
MATERIAL	MANUFACTURING	3 DEC ±	4 DEC ±
ENGINEERING REQUIREMENTS	ENGINEERING	5 DEC ±	6 DEC ±
DATE	MANUFACTURING	7 DEC ±	8 DEC ±
BY	MANUFACTURING	9 DEC ±	10 DEC ±
CHKD	MANUFACTURING	11 DEC ±	12 DEC ±
APPD	MANUFACTURING	13 DEC ±	14 DEC ±
ECN NO.	MANUFACTURING	15 DEC ±	16 DEC ±
REV	MANUFACTURING	17 DEC ±	18 DEC ±

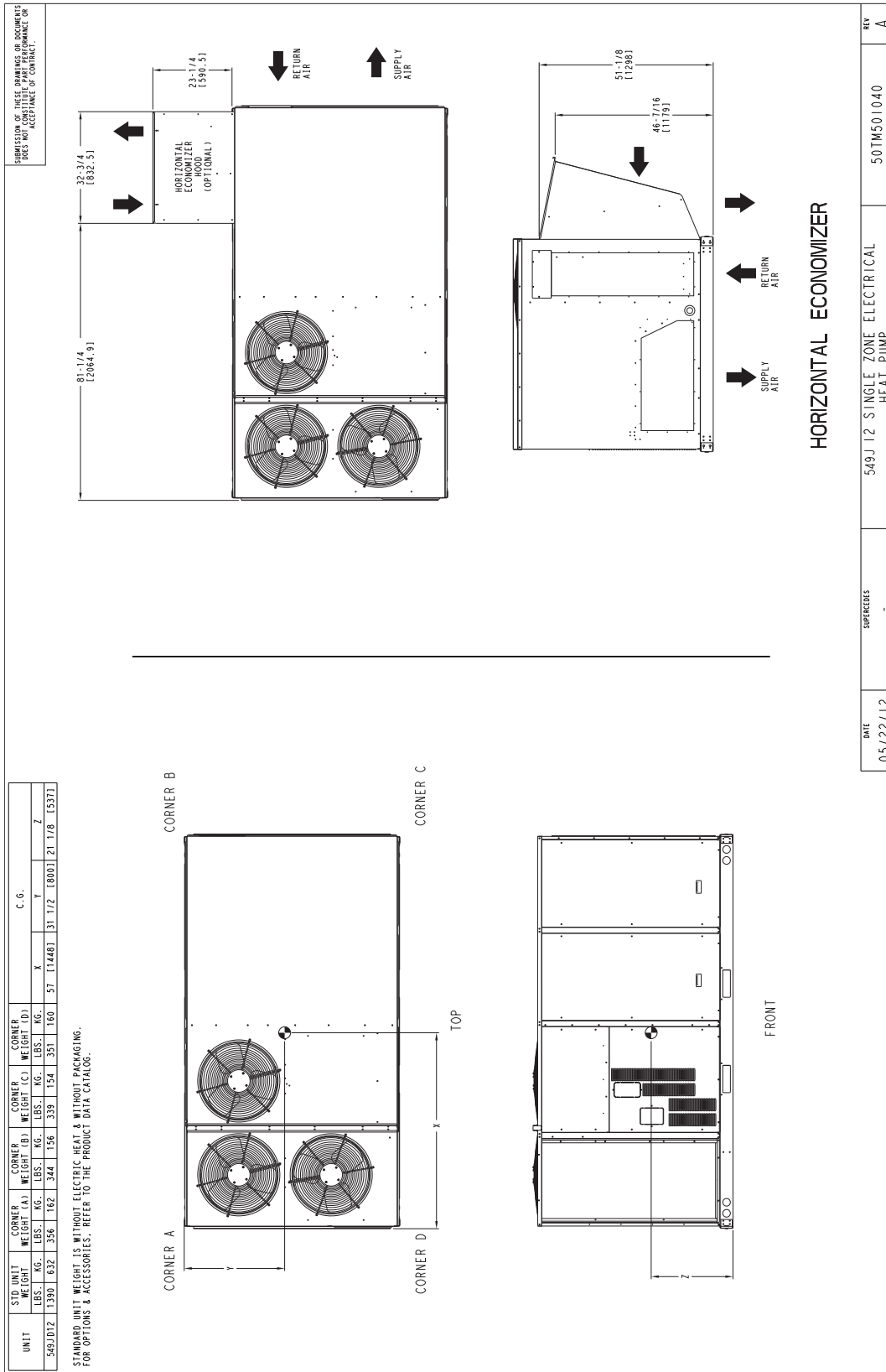


# UNIT DIMENSIONAL DRAWING - UNIT SIZE 12

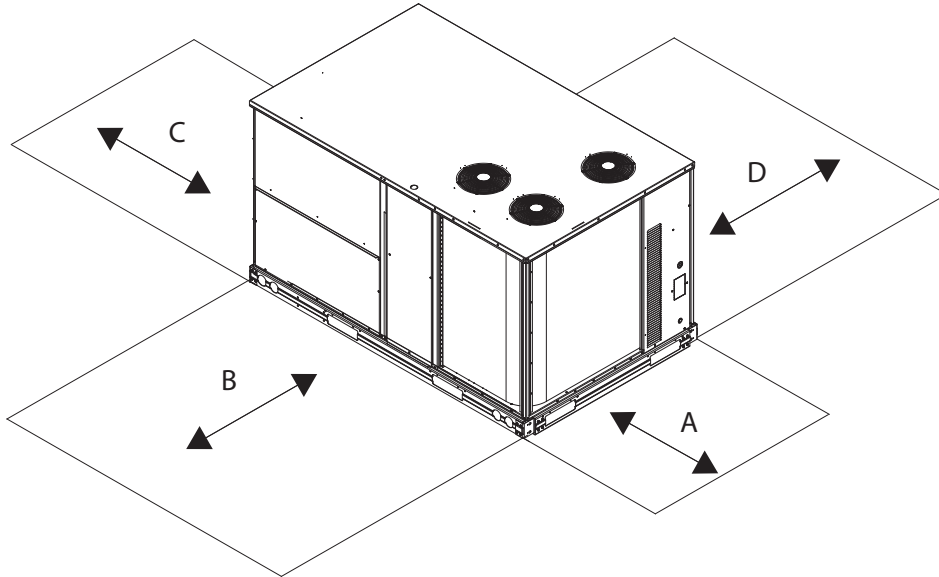


# Dimensions (cont)

## UNIT DIMENSIONAL DRAWING - UNIT SIZE 12 (cont)



### SERVICE CLEARANCE DIMENSIONAL DRAWING - UNIT SIZE 12

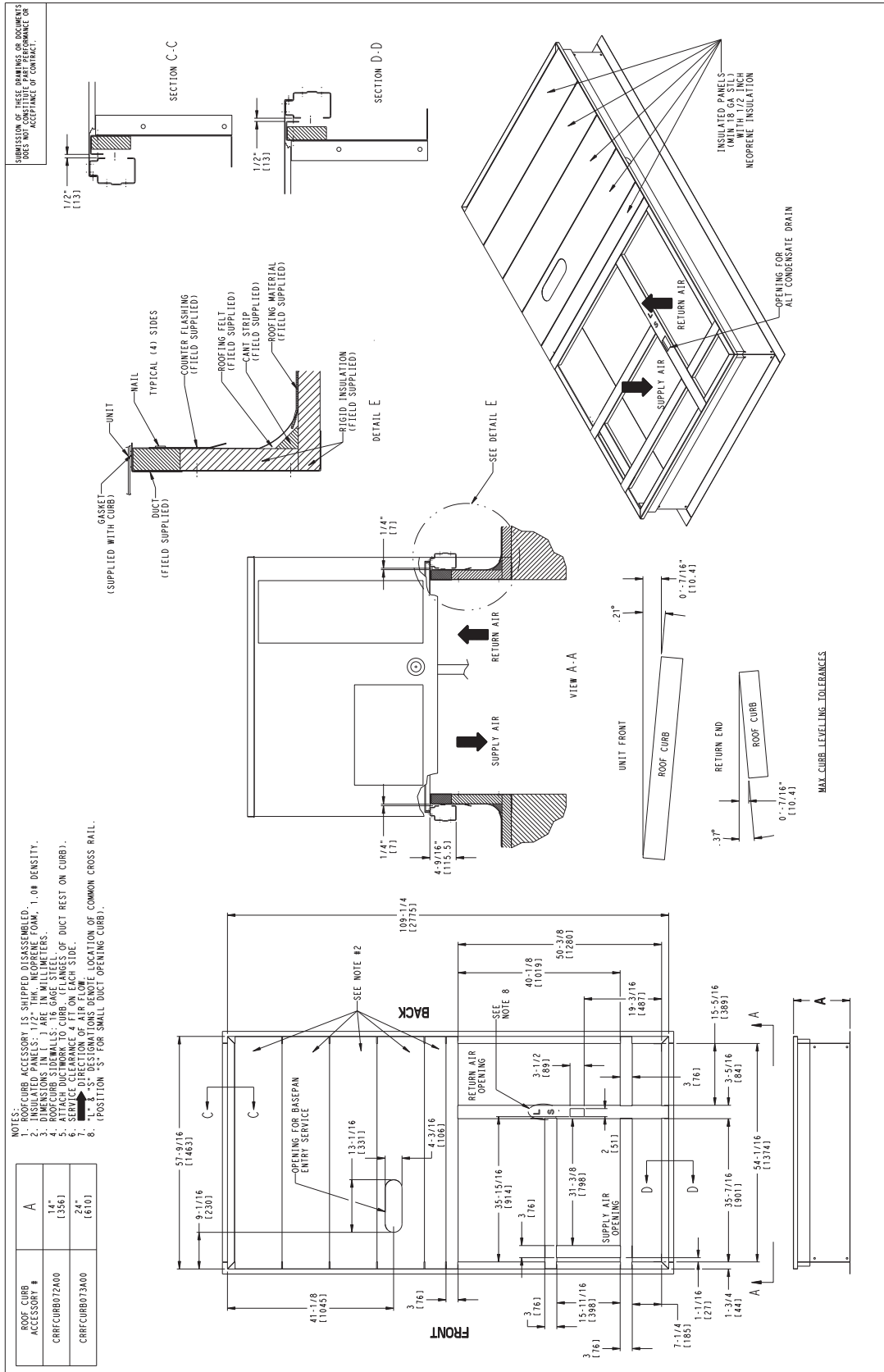


LOCATION	DIMENSION	CONDITION
<b>A</b>	48-in. (1219 mm) 18-in. (457 mm) 18-in. (457 mm) 12-in. (305 mm)	Unit disconnect is mounted on panel No disconnect, convenience outlet option Recommended service clearance Minimum clearance
<b>B</b>	42-in. (1067 mm) 36-in. (914 mm) Special	Surface behind servicer is grounded (e.g., metal, masonry wall) Surface behind servicer is electrically non-conductive (e.g., wood, fiberglass) Check for sources of flue products within 10-ft of unit fresh air intake hood
<b>C</b>	36-in. (914 mm) 18-in. (457 mm)	Side condensate drain is used Minimum clearance
<b>D</b>	42-in. (1067 mm) 36-in. (914 mm)	Surface behind servicer is grounded (e.g., metal, masonry wall, another unit) Surface behind servicer is electrically non-conductive (e.g., wood, fiberglass)

NOTE: Unit not designed to have overhead obstruction. Contact Application Engineering for guidance on any application planning overhead obstruction or for vertical clearances.

# Dimensions (cont)

## ROOF CURB DETAILS - UNIT SIZE 12



# Application data

## Min operating ambient temp (cooling)

In mechanical cooling mode, your Bryant rooftop can safely operate down to an outdoor ambient temperature of 30°F (-1°C). It is possible to provide cooling at lower outdoor ambient temperatures by using less outside air, economizers, and/or accessory low ambient kits.

## Max operating ambient temp (cooling)

The maximum operating ambient temperature for cooling mode is 125°F (52°C). While cooling operation above 125°F (52°C) may be possible, it could cause either a reduction in performance, reliability, or a protective action by the unit's internal safety devices.

## Min and max airflow (cooling and heating mode)

To maintain safe and reliable operation of your rooftop, operate within the cooling airflow limits. Operating above the max may cause blow-off, undesired airflow noise, or airflow related problems with the rooftop unit. Operating below the min may cause problems with coil freeze-up. For proper minimum-maximum CFM values, see the table on page 6.

## Airflow

All units are draw-through in cooling mode.

## Outdoor air application strategies

Economizers reduce operating expenses and compressor run time by providing a free source of cooling and a means of ventilation to match application changing needs. In fact, they should be considered for most applications. Also, consider the various economizer control methods and their benefits, as well as sensors required to accomplish your application goals. Please contact your local Bryant representative for assistance.

## Motor limits, break horsepower (BHP)

Due to Bryant's internal unit design, air path, and specially designed motors, the full horsepower (maximum continuous BHP) band, as listed in this manual, can be used with the utmost confidence. There is no need for extra safety factors, as Bryant's motors are designed and rigorously tested to use the entire listed BHP range without either nuisance tripping or premature motor failure.

## Sizing a rooftop

Bigger isn't necessarily better. While an air conditioner needs to have enough capacity to meet the load, it doesn't need excess capacity. In fact, having excess capacity typically results in very poor part load performance and humidity control.

Using higher design temperatures than ASHRAE recommends for your location, adding "safety factors" to the calculated load, and rounding up to the next largest unit, are all signs of oversizing air conditioners. Oversizing can cause short-cycling, and short cycling leads to poor humidity control, reduced efficiency, higher utility bills, drastic indoor temperature swings, excessive noise, and increased wear and tear on the air conditioner.

Rather than oversizing an air conditioner, wise contractors and engineers "right-size" or even slightly undersize air conditioners. Correctly sizing an air conditioner controls humidity better; promotes efficiency; reduces utility bills; extends equipment life, and maintains even, comfortable temperatures.

## Low ambient applications

When equipped with a Bryant economizer, your rooftop unit can cool your space by bringing in fresh, cool outside air. In fact, when so equipped, an accessory low ambient kit may not be necessary. In low ambient conditions, unless the outdoor air is excessively humid or contaminated, economizer-based "free cooling" is the preferred less costly and energy conscious method.

In low ambient applications where outside air might not be desired (such as contaminated or excessively humid outdoor environments), your Bryant rooftop can operate at ambient temperatures down to -20°F (-29°C) using the recommended accessory Motormaster® low ambient controller.

## Application/Selection Option

Selection software by Bryant saves time by calculating performance in the selection process. Contact your Bryant sales representative for assistance.

## 2-Speed Indoor Fan Motor System with Variable Frequency Drive (VFD)

Bryant's 2-Speed Indoor Fan Motor System utilizes a Variable Frequency Drive (VFD) to automatically adjust the indoor fan motor speed in sequence with the units cooling operation. Per ASHRAE 90.1-2016 and IECC-2015 standards, during the first stage of cooling operation the VFD will adjust the fan motor to provide 66% of the total cfm established for the unit. When a call for the second stage of cooling is required, the VFD will allow the total cfm for the unit established (100%). During the heating mode, the VFD will allow total design cfm (100%) operation and during the ventilation mode the VFD will allow operation to 66% of total cfm.

The VFD used in Bryant's 2-Speed Indoor Fan Motor System has soft start capabilities to slowly ramp up the speeds, thus eliminating any high inrush air volume during initial start-up. It also has internal over current protection for the fan motor and a field-installed display kit that allows adjustment and in depth diagnostics of the VFD.

This 2-Speed Indoor Fan Motor System is available on models with 2-stage cooling operation with electrical mechanical or RTU Open (multi Protocol) controls. Both space sensor and conventional thermostat controls can be used to provide accurate control in any application.

The 2-Speed Indoor Fan Motor System is very flexible for initial fan performance set up and adjustment. The standard factory shipped VFD is pre-programmed to automatically stage the fan speed between the first and second stage of cooling. The unit fan performance static pressure and cfm can be easily adjusted using the traditional means of pulley adjustments. The other means to adjust the unit static and cfm performance is to utilize the field-installed display module and adjust the frequency and voltage in the VFD to required performance requirements. In either case, once set up the VFD will automatically adjust the speed between the cooling stage operations.

# Performance data

## 549J - 2-SPEED INDOOR FAN MOTOR SYSTEM - VARIABLE FREQUENCY DRIVE (VFD) HP RATING

UNIT SIZE	STATIC OPTION	VOLTAGE	VFD HP RATING
07	STD	208/230, 460, 575	3
	MED	208/230, 460	3
		575	5
	HIGH	208/230, 460, 575	7.5
08	STD	208/230, 460, 575	3
	MED	208/230, 460, 575	3
	HIGH	208/230, 460, 575	5
09	STD	208/230, 460, 575	3
	MED	208/230, 460	3
		575	5
	HIGH	208/230, 460, 575	5
12	STD	208/230, 460, 575	3
	MED	208/230, 460	3
		575	5
	HIGH	208/230, 460, 575	7.5

**COOLING CAPACITIES 1-STAGE COOLING, 3 TONS**

549J04A				AMBIENT TEMPERATURE (F)															
				85			95			105			115			125			
				EAT (db)			EAT (db)			EAT (db)			EAT (db)			EAT (db)			
				75	80	85	75	80	85	75	80	85	75	80	85	75	80	85	
900 Cfm	EAT (wb)	58	TC	31.8	31.8	36.0	30.5	30.5	34.5	29.0	29.0	32.9	27.5	27.5	31.1	25.7	25.7	29.2	
			SHC	27.5	31.8	36.0	26.4	30.5	34.5	25.2	29.0	32.9	23.8	27.5	31.1	22.3	25.7	29.2	
		62	TC	33.5	33.5	34.2	31.8	31.8	33.4	30.0	30.0	32.5	28.0	28.0	31.4	25.9	25.9	30.2	
			SHC	24.9	29.5	34.2	24.0	28.7	33.4	23.2	27.8	32.5	22.2	26.8	31.4	21.1	25.7	30.2	
		67	TC	36.8	36.8	36.8	34.9	34.9	34.9	32.9	32.9	32.9	30.8	30.8	30.8	28.4	28.4	28.4	
			SHC	20.6	25.2	29.9	19.8	24.4	29.1	18.9	23.6	28.3	18.0	22.7	27.4	17.0	21.7	26.4	
	72	TC	40.4	40.4	40.4	38.4	38.4	38.4	36.2	36.2	36.2	33.8	33.8	33.8	31.3	31.3	31.3		
		SHC	16.1	20.9	25.6	15.4	20.1	24.8	14.5	19.2	24.0	13.6	18.3	23.0	12.7	17.4	22.1		
	76	TC	—	43.4	43.4	—	41.2	41.2	—	38.9	38.9	—	36.4	36.4	—	33.7	33.7		
		SHC	—	17.3	22.2	—	16.5	21.5	—	15.7	20.6	—	14.8	19.6	—	13.9	18.7		
	1050 Cfm	EAT (wb)	58	TC	33.5	33.5	38.0	32.1	32.1	36.4	30.6	30.6	34.7	28.9	28.9	32.7	27.0	27.0	30.6
				SHC	29.0	33.5	38.0	27.8	32.1	36.4	26.5	30.6	34.7	25.0	28.9	32.7	23.4	27.0	30.6
62			TC	34.6	34.6	37.4	32.8	32.8	36.5	30.9	30.9	35.5	28.9	28.9	34.1	27.0	27.0	31.9	
			SHC	26.7	32.1	37.4	25.9	31.2	36.5	24.9	30.2	35.5	23.8	28.9	34.1	22.2	27.0	31.9	
67			TC	37.9	37.9	37.9	35.9	35.9	35.9	33.8	33.8	33.8	31.5	31.5	31.5	29.0	29.0	29.0	
			SHC	21.8	27.2	32.6	21.0	26.4	31.8	20.1	25.5	30.9	19.2	24.6	29.9	18.2	23.6	28.9	
72		TC	41.5	41.5	41.5	39.4	39.4	39.4	37.1	37.1	37.1	34.6	34.6	34.6	31.9	31.9	31.9		
		SHC	16.7	22.1	27.6	15.9	21.3	26.7	15.0	20.4	25.9	14.1	19.5	24.9	13.1	18.6	24.0		
76		TC	—	44.6	44.6	—	42.3	42.3	—	39.8	39.8	—	37.2	37.2	—	34.4	34.4		
		SHC	—	18.0	23.6	—	17.2	22.8	—	16.3	21.9	—	15.4	21.0	—	14.5	20.0		
1200 Cfm		EAT (wb)	58	TC	35.0	35.0	39.7	33.5	33.5	38.0	31.8	31.8	36.1	30.0	30.0	34.0	28.1	28.1	31.8
				SHC	30.3	35.0	39.7	29.0	33.5	38.0	27.6	31.8	36.1	26.0	30.0	34.0	24.3	28.1	31.8
	62		TC	35.5	35.5	40.4	33.7	33.7	39.3	31.9	31.9	37.6	30.1	30.1	35.4	28.1	28.1	33.1	
			SHC	28.4	34.4	40.4	27.4	33.3	39.3	26.2	31.9	37.6	24.7	30.1	35.4	23.1	28.1	33.1	
	67		TC	38.7	38.7	38.7	36.7	36.7	36.7	34.5	34.5	34.5	32.1	32.1	32.4	29.5	29.5	31.4	
			SHC	22.9	29.0	35.1	22.1	28.2	34.3	21.2	27.3	33.4	20.3	26.3	32.4	19.2	25.3	31.4	
	72	TC	42.4	42.4	42.4	40.2	40.2	40.2	37.8	37.8	37.8	35.2	35.2	35.2	32.5	32.5	32.5		
		SHC	17.1	23.3	29.4	16.3	22.5	28.6	15.5	21.6	27.7	14.5	20.7	26.8	13.6	19.7	25.8		
	76	TC	—	45.5	45.5	—	43.1	43.1	—	40.6	40.6	—	37.8	37.8	—	34.9	34.9		
		SHC	—	18.6	25.0	—	17.8	24.1	—	17.0	23.2	—	16.0	22.3	—	15.1	21.3		
	1350 Cfm	EAT (wb)	58	TC	36.2	36.2	41.1	34.6	34.6	39.3	32.9	32.9	37.3	31.0	31.0	35.1	28.9	28.9	32.8
				SHC	31.4	36.2	41.1	30.0	34.6	39.3	28.5	32.9	37.3	26.9	31.0	35.1	25.1	28.9	32.8
62			TC	36.3	36.3	42.8	34.7	34.7	40.9	32.9	32.9	38.8	31.0	31.0	36.6	29.0	29.0	34.1	
			SHC	29.8	36.3	42.8	28.5	34.7	40.9	27.1	32.9	38.8	25.5	31.0	36.6	23.8	29.0	34.1	
67			TC	39.4	39.4	39.4	37.3	37.3	37.3	35.0	35.0	35.8	32.5	32.5	34.8	29.9	29.9	33.7	
			SHC	24.0	30.8	37.6	23.2	30.0	36.8	22.3	29.1	35.8	21.3	28.1	34.8	20.3	27.0	33.7	
72		TC	43.1	43.1	43.1	40.8	40.8	40.8	38.3	38.3	38.3	35.7	35.7	35.7	32.9	32.9	32.9		
		SHC	17.6	24.4	31.3	16.8	23.6	30.4	15.9	22.7	29.5	14.9	21.8	28.6	14.0	20.8	27.6		
76		TC	—	46.2	46.2	—	43.8	43.8	—	41.1	41.1	—	38.3	38.3	—	35.3	35.3		
		SHC	—	19.2	26.2	—	18.4	25.4	—	17.5	24.5	—	16.6	23.5	—	15.6	22.5		
1500 Cfm		EAT (wb)	58	TC	37.3	37.3	42.3	35.6	35.6	40.4	33.8	33.8	38.3	31.8	31.8	36.1	29.7	29.7	33.6
				SHC	32.3	37.3	42.3	30.9	35.6	40.4	29.3	33.8	38.3	27.6	31.8	36.1	25.7	29.7	33.6
	62		TC	37.3	37.3	44.0	35.7	35.7	42.0	33.9	33.9	39.9	31.9	31.9	37.5	29.7	29.7	35.0	
			SHC	30.7	37.3	44.0	29.3	35.7	42.0	27.8	33.9	39.9	26.2	31.9	37.5	24.4	29.7	35.0	
	67		TC	39.9	39.9	40.0	37.8	37.8	39.1	35.4	35.4	38.1	32.9	32.9	37.1	30.3	30.3	35.9	
			SHC	25.1	32.5	40.0	24.2	31.7	39.1	23.3	30.7	38.1	22.3	29.7	37.1	21.2	28.5	35.9	
	72	TC	43.7	43.7	43.7	41.3	41.3	41.3	38.8	38.8	38.8	36.1	36.1	36.1	33.2	33.2	33.2		
		SHC	18.0	25.5	33.0	17.2	24.7	32.1	16.3	23.8	31.2	15.3	22.8	30.3	14.3	21.8	29.3		
	76	TC	—	46.8	46.8	—	44.3	44.3	—	41.6	41.6	—	38.7	38.7	—	35.6	35.6		
		SHC	—	19.8	27.4	—	19.0	26.6	—	18.1	25.7	—	17.1	24.7	—	16.1	23.7		

**LEGEND**

- Do Not Operate
- CFM** — Cubic Feet Per Minute (Supply Air)
- EAT (db)** — Entering Air Temperature (Dry Bulb)
- EAT (wb)** — Entering Air Temperature (Wet Bulb)
- SHC** — Sensible Heat Capacity (1000 Btuh) Gross
- TC** — Total Capacity (1000 Btuh) Gross

# Performance data (cont)

## COOLING CAPACITIES 1-STAGE COOLING, 4 TONS

549J05A				AMBIENT TEMPERATURE (F)															
				85			95			105			115			125			
				EAT (db)			EAT (db)			EAT (db)			EAT (db)			EAT (db)			
				75	80	85	75	80	85	75	80	85	75	80	85	75	80	85	
1200 Cfm	EAT (wb)	58	TC	41.1	41.1	46.6	39.5	39.5	44.8	37.7	37.7	42.7	35.8	35.8	40.6	33.7	33.7	38.2	
			SHC	35.6	41.1	46.6	34.2	39.5	44.8	32.7	37.7	42.7	31.0	35.8	40.6	29.2	33.7	38.2	
		62	TC	43.1	43.1	44.7	41.0	41.0	43.6	38.7	38.7	42.5	36.3	36.3	41.2	33.8	33.8	39.8	
			SHC	32.3	38.5	44.7	31.3	37.5	43.6	30.2	36.3	42.5	29.0	35.1	41.2	27.8	33.8	39.8	
		67	TC	47.4	47.4	47.4	45.1	45.1	45.1	42.6	42.6	42.6	39.9	39.9	39.9	37.1	37.1	37.1	
			SHC	26.7	32.9	39.1	25.7	31.9	38.0	24.6	30.8	37.0	23.5	29.7	35.9	22.4	28.5	34.7	
	72	TC	52.1	52.1	52.1	49.6	49.6	49.6	46.8	46.8	46.8	43.9	43.9	43.9	40.8	40.8	40.8		
		SHC	20.8	27.1	33.4	19.9	26.1	32.3	18.8	25.1	31.3	17.7	24.0	30.2	16.6	22.8	29.0		
	76	TC	—	56.1	56.1	—	53.3	53.3	—	50.4	50.4	—	47.3	47.3	—	44.0	44.0		
		SHC	—	22.4	29.0	—	21.4	28.0	—	20.4	26.9	—	19.3	25.7	—	18.2	24.6		
	1400 Cfm	EAT (wb)	58	TC	43.3	43.3	49.1	41.6	41.6	47.1	39.6	39.6	44.9	37.6	37.6	42.6	35.4	35.4	40.1
				SHC	37.5	43.3	49.1	36.0	41.6	47.1	34.4	39.6	44.9	32.6	37.6	42.6	30.6	35.4	40.1
62			TC	44.5	44.5	48.9	42.3	42.3	47.7	39.9	39.9	46.3	37.7	37.7	44.4	35.4	35.4	41.7	
			SHC	34.7	41.8	48.9	33.6	40.7	47.7	32.4	39.4	46.3	30.9	37.7	44.4	29.1	35.4	41.7	
67			TC	48.8	48.8	48.8	46.3	46.3	46.3	43.7	43.7	43.7	40.9	40.9	40.9	37.9	37.9	38.1	
			SHC	28.3	35.4	42.5	27.2	34.4	41.5	26.2	33.3	40.4	25.0	32.2	39.3	23.8	31.0	38.1	
72		TC	53.6	53.6	53.6	50.9	50.9	50.9	48.0	48.0	48.0	45.0	45.0	45.0	41.7	41.7	41.7		
		SHC	21.6	28.7	35.9	20.5	27.7	34.9	19.5	26.6	33.8	18.4	25.5	32.7	17.2	24.3	31.5		
76		TC	—	57.6	57.6	—	54.7	54.7	—	51.6	51.6	—	48.4	48.4	—	44.9	44.9		
		SHC	—	23.3	30.9	—	22.3	29.8	—	21.3	28.7	—	20.1	27.5	—	19.0	26.3		
1600 Cfm		EAT (wb)	58	TC	45.2	45.2	51.3	43.3	43.3	49.1	41.3	41.3	46.8	39.1	39.1	44.3	36.7	36.7	41.6
				SHC	39.2	45.2	51.3	37.5	43.3	49.1	35.8	41.3	46.8	33.9	39.1	44.3	31.8	36.7	41.6
	62		TC	46.1	46.1	50.5	43.4	43.4	51.1	41.3	41.3	48.7	39.1	39.1	46.1	36.7	36.7	43.3	
			SHC	36.0	43.3	50.5	35.7	43.4	51.1	33.9	41.3	48.7	32.1	39.1	46.1	30.2	36.7	43.3	
	67		TC	49.9	49.9	49.9	47.3	47.3	47.3	44.6	44.6	44.6	41.6	41.6	42.6	38.6	38.6	41.3	
			SHC	29.8	37.8	45.9	28.7	36.8	44.8	27.6	35.7	43.7	26.5	34.5	42.6	25.2	33.3	41.3	
	72	TC	54.7	54.7	54.7	51.9	51.9	51.9	48.9	48.9	48.9	45.7	45.7	45.7	42.4	42.4	42.4		
		SHC	22.2	30.3	38.4	21.2	29.2	37.3	20.1	28.2	36.2	18.9	27.0	35.1	17.7	25.8	33.9		
	76	TC	—	58.8	58.8	—	55.8	55.8	—	52.6	52.6	—	49.2	49.2	—	45.6	45.6		
		SHC	—	24.2	32.6	—	23.1	31.5	—	22.1	30.3	—	20.9	29.1	—	19.7	27.9		
	1800 Cfm	EAT (wb)	58	TC	46.8	46.8	53.1	44.8	44.8	50.8	42.7	42.7	48.3	40.3	40.3	45.7	37.8	37.8	42.9
				SHC	40.6	46.8	53.1	38.8	44.8	50.8	37.0	42.7	48.3	34.9	40.3	45.7	32.8	37.8	42.9
62			TC	46.9	46.9	55.2	44.8	44.8	52.8	42.7	42.7	50.3	40.4	40.4	47.6	37.9	37.9	44.6	
			SHC	38.5	46.9	55.2	36.8	44.8	52.8	35.1	42.7	50.3	33.2	40.4	47.6	31.1	37.9	44.6	
67			TC	50.8	50.8	50.8	48.1	48.1	48.1	45.2	45.2	46.9	42.2	42.2	45.7	39.1	39.1	44.3	
			SHC	31.2	40.2	49.1	30.1	39.1	48.0	29.0	37.9	46.9	27.8	36.7	45.7	26.6	35.4	44.3	
72		TC	55.7	55.7	55.7	52.7	52.7	52.7	49.6	49.6	49.6	46.4	46.4	46.4	42.9	42.9	42.9		
		SHC	22.8	31.8	40.8	21.7	30.7	39.7	20.6	29.6	38.6	19.5	28.4	37.4	18.3	27.2	36.2		
76		TC	—	59.7	59.7	—	56.6	56.6	—	53.3	53.3	—	49.8	49.8	—	46.1	46.1		
		SHC	—	25.0	34.2	—	23.9	33.1	—	22.8	31.9	—	21.6	30.7	—	20.4	29.5		
2000 Cfm		EAT (wb)	58	TC	48.2	48.2	54.6	46.1	46.1	52.2	43.8	43.8	49.7	41.4	41.4	46.9	38.8	38.8	44.0
				SHC	41.8	48.2	54.6	39.9	46.1	52.2	38.0	43.8	49.7	35.9	41.4	46.9	33.6	38.8	44.0
	62		TC	48.2	48.2	56.8	46.1	46.1	54.4	43.9	43.9	51.7	41.4	41.4	48.8	38.8	38.8	45.7	
			SHC	39.6	48.2	56.8	37.9	46.1	54.4	36.0	43.9	51.7	34.0	41.4	48.8	31.9	38.8	45.7	
	67		TC	51.4	51.4	52.2	48.7	48.7	51.1	45.8	45.8	49.9	42.7	42.7	48.6	39.5	39.5	47.1	
			SHC	32.6	42.4	52.2	31.5	41.3	51.1	30.3	40.1	49.9	29.1	38.8	48.6	27.8	37.4	47.1	
	72	TC	56.4	56.4	56.4	53.4	53.4	53.4	50.2	50.2	50.2	46.9	46.9	46.9	43.3	43.3	43.3		
		SHC	23.3	33.2	43.0	22.2	32.1	41.9	21.1	31.0	40.8	20.0	29.8	39.6	18.8	28.6	38.4		
	76	TC	—	60.4	60.4	—	57.2	57.2	—	53.9	53.9	—	50.3	50.3	—	46.5	46.5		
		SHC	—	25.7	35.7	—	24.6	34.6	—	23.5	33.5	—	22.3	32.2	—	21.1	31.0		

### LEGEND

- Do Not Operate
- CFM — Cubic Feet Per Minute (Supply Air)
- EAT (db) — Entering Air Temperature (Dry Bulb)
- EAT (wb) — Entering Air Temperature (Wet Bulb)
- SHC — Sensible Heat Capacity (1000 Btuh) Gross
- TC — Total Capacity (1000 Btuh) Gross



**COOLING CAPACITIES 1-STAGE COOLING, 5 TONS**

549J06A				AMBIENT TEMPERATURE (F)															
				85			95			105			115			125			
				EAT (db)			EAT (db)			EAT (db)			EAT (db)			EAT (db)			
				75	80	85	75	80	85	75	80	85	75	80	85	75	80	85	
1500 Cfm	EAT (wb)	58	TC	53.8	53.8	60.7	51.7	51.7	58.3	49.4	49.4	55.8	46.9	46.9	53.0	44.2	44.2	49.9	
			SHC	46.9	53.8	60.7	45.0	51.7	58.3	43.0	49.4	55.8	40.9	46.9	53.0	38.5	44.2	49.9	
		62	TC	56.2	56.2	58.3	53.5	53.5	57.0	50.6	50.6	55.5	47.5	47.5	53.9	44.2	44.2	51.8	
			SHC	42.6	50.5	58.3	41.3	49.1	57.0	39.9	47.7	55.5	38.4	46.2	53.9	36.6	44.2	51.8	
		67	TC	61.7	61.7	61.7	58.7	58.7	58.7	55.5	55.5	55.5	52.0	52.0	52.0	48.2	48.2	48.2	
			SHC	35.1	43.0	50.9	33.8	41.7	49.6	32.5	40.4	48.3	31.1	38.9	46.8	29.5	37.4	45.3	
	72	TC	67.7	67.7	67.7	64.4	64.4	64.4	60.9	60.9	60.9	57.1	57.1	57.1	53.0	53.0	53.0		
		SHC	27.4	35.3	43.3	26.1	34.1	42.0	24.8	32.7	40.7	23.4	31.3	39.2	21.9	29.8	37.7		
	76	TC	—	72.7	72.7	—	69.2	69.2	—	65.4	65.4	—	61.3	61.3	—	56.9	56.9		
		SHC	—	29.0	37.3	—	27.8	36.1	—	26.5	34.7	—	25.1	33.2	—	23.5	31.6		
	1750 Cfm	EAT (wb)	58	TC	56.7	56.7	64.0	54.4	54.4	61.4	51.9	51.9	58.6	49.2	49.2	55.6	46.2	46.2	52.2
				SHC	49.4	56.7	64.0	47.4	54.4	61.4	45.2	51.9	58.6	42.9	49.2	55.6	40.3	46.2	52.2
62			TC	58.0	58.0	63.8	55.2	55.2	62.3	52.2	52.2	60.5	49.3	49.3	57.8	46.3	46.3	54.2	
			SHC	45.9	54.8	63.8	44.5	53.4	62.3	42.9	51.7	60.5	40.8	49.3	57.8	38.3	46.3	54.2	
67			TC	63.4	63.4	63.4	60.3	60.3	60.3	56.9	56.9	56.9	53.2	53.2	53.2	49.3	49.3	49.7	
			SHC	37.3	46.4	55.5	36.0	45.1	54.2	34.6	43.7	52.8	33.1	42.2	51.3	31.5	40.6	49.7	
72		TC	69.5	69.5	69.5	66.0	66.0	66.0	62.4	62.4	62.4	58.3	58.3	58.3	54.0	54.0	54.0		
		SHC	28.3	37.5	46.7	27.0	36.2	45.4	25.7	34.8	44.0	24.2	33.4	42.5	22.7	31.8	41.0		
76		TC	—	74.5	74.5	—	70.9	70.9	—	66.9	66.9	—	62.6	62.6	—	58.0	58.0		
		SHC	—	30.2	39.7	—	29.0	38.4	—	27.6	37.0	—	26.2	35.5	—	24.6	33.9		
2000 Cfm		EAT (wb)	58	TC	59.1	59.1	66.7	56.7	56.7	64.0	54.0	54.0	61.0	51.1	51.1	57.7	48.0	48.0	54.1
				SHC	51.5	59.1	66.7	49.4	56.7	64.0	47.1	54.0	61.0	44.5	51.1	57.7	41.8	48.0	54.1
	62		TC	59.5	59.5	68.7	56.7	56.7	66.5	54.1	54.1	63.4	51.2	51.2	60.0	48.0	48.0	56.2	
			SHC	48.7	58.7	68.7	47.0	56.7	66.5	44.8	54.1	63.4	42.4	51.2	60.0	39.7	48.0	56.2	
	67		TC	64.7	64.7	64.7	61.5	61.5	61.5	57.9	57.9	57.9	54.1	54.1	55.6	50.1	50.1	53.9	
			SHC	39.3	49.6	59.9	38.0	48.3	58.6	36.6	46.9	57.2	35.0	45.3	55.6	33.4	43.7	53.9	
	72	TC	70.9	70.9	70.9	67.3	67.3	67.3	63.4	63.4	63.4	59.3	59.3	59.3	54.8	54.8	54.8		
		SHC	29.2	39.5	49.9	27.9	38.2	48.6	26.5	36.8	47.2	25.0	35.3	45.7	23.4	33.8	44.1		
	76	TC	—	75.9	75.9	—	72.1	72.1	—	68.0	68.0	—	63.6	63.6	—	58.8	58.8		
		SHC	—	31.3	41.9	—	30.0	40.6	—	28.7	39.2	—	27.2	37.6	—	25.6	36.0		
	2250 Cfm	EAT (wb)	58	TC	61.2	61.2	69.1	58.6	58.6	66.1	55.8	55.8	63.0	52.7	52.7	59.5	49.4	49.4	55.7
				SHC	53.3	61.2	69.1	51.0	58.6	66.1	48.6	55.8	63.0	45.9	52.7	59.5	43.0	49.4	55.7
62			TC	61.2	61.2	71.8	58.6	58.6	68.7	55.8	55.8	65.4	52.8	52.8	61.9	49.4	49.4	57.9	
			SHC	50.7	61.2	71.8	48.6	58.6	68.7	46.2	55.8	65.4	43.7	52.8	61.9	40.9	49.4	57.9	
67			TC	65.8	65.8	65.8	62.4	62.4	62.8	58.8	58.8	61.3	54.9	54.9	59.7	50.7	50.7	57.9	
			SHC	41.2	52.7	64.2	39.9	51.3	62.8	38.4	49.9	61.3	36.9	48.3	59.7	35.2	46.5	57.9	
72		TC	72.0	72.0	72.0	68.3	68.3	68.3	64.3	64.3	64.3	60.0	60.0	60.0	55.4	55.4	55.4		
		SHC	30.0	41.5	53.0	28.6	40.1	51.6	27.2	38.7	50.2	25.8	37.2	48.7	24.2	35.6	47.1		
76		TC	—	77.0	77.0	—	73.1	73.1	—	68.9	68.9	—	64.3	64.3	—	59.5	59.5		
		SHC	—	32.3	44.1	—	31.0	42.7	—	29.6	41.3	—	28.1	39.7	—	26.6	38.1		
2500 Cfm		EAT (wb)	58	TC	62.9	62.9	71.1	60.2	60.2	68.0	57.3	57.3	64.7	54.1	54.1	61.1	50.6	50.6	57.1
				SHC	54.8	62.9	71.1	52.5	60.2	68.0	49.9	57.3	64.7	47.1	54.1	61.1	44.1	50.6	57.1
	62		TC	63.0	63.0	73.8	60.3	60.3	70.6	57.3	57.3	67.2	54.1	54.1	63.4	50.6	50.6	59.3	
			SHC	52.2	63.0	73.8	49.9	60.3	70.6	47.5	57.3	67.2	44.8	54.1	63.4	41.9	50.6	59.3	
	67		TC	66.6	66.6	68.2	63.2	63.2	66.8	59.5	59.5	65.2	55.5	55.5	63.5	51.3	51.3	61.5	
			SHC	43.1	55.6	68.2	41.7	54.2	66.8	40.2	52.7	65.2	38.6	51.0	63.5	36.8	49.1	61.5	
	72	TC	72.8	72.8	72.8	69.0	69.0	69.0	65.0	65.0	65.0	60.6	60.6	60.6	55.9	55.9	55.9		
		SHC	30.7	43.3	56.0	29.4	42.0	54.6	28.0	40.6	53.2	26.5	39.1	51.7	24.9	37.5	50.1		
	76	TC	—	77.9	77.9	—	73.9	73.9	—	69.5	69.5	—	64.9	64.9	—	59.9	59.9		
		SHC	—	33.3	46.1	—	32.0	44.7	—	30.6	43.3	—	29.1	41.7	—	27.5	40.1		

**LEGEND**

- Do Not Operate
- CFM** — Cubic Feet Per Minute (Supply Air)
- EAT (db)** — Entering Air Temperature (Dry Bulb)
- EAT (wb)** — Entering Air Temperature (Wet Bulb)
- SHC** — Sensible Heat Capacity (1000 Btuh) Gross
- TC** — Total Capacity (1000 Btuh) Gross

# Performance data (cont)

## COOLING CAPACITIES 1-STAGE COOLING, 6 TONS

549J07A				AMBIENT TEMPERATURE (F)															
				85			95			105			115			125			
				EAT (db)			EAT (db)			EAT (db)			EAT (db)			EAT (db)			
				75	80	85	75	80	85	75	80	85	75	80	85	75	80	85	
1800 Cfm	EAT (wb)	58	TC	63.5	63.5	71.7	60.1	60.1	67.9	56.4	56.4	63.7	52.3	52.3	59.1	47.8	47.8	54.0	
			SHC	55.2	63.5	71.7	52.3	60.1	67.9	49.1	56.4	63.7	45.5	52.3	59.1	41.6	47.8	54.0	
		62	TC	66.5	66.5	68.9	62.1	62.1	66.9	57.4	57.4	64.6	52.4	52.4	61.4	47.9	47.9	56.2	
			SHC	50.2	59.5	68.9	48.1	57.5	66.9	45.9	55.2	64.6	43.3	52.4	61.4	39.6	47.9	56.2	
		67	TC	73.9	73.9	73.9	69.9	69.9	69.9	64.6	64.6	64.6	59.0	59.0	59.0	52.8	52.8	52.8	
			SHC	40.7	50.0	59.4	39.2	48.7	58.1	37.2	46.6	56.0	35.0	44.5	53.9	32.7	42.1	51.6	
	72	TC	78.2	78.2	78.2	76.9	76.9	76.9	73.1	73.1	73.1	67.5	67.5	67.5	61.0	61.0	61.0		
		SHC	29.8	38.9	47.9	29.4	38.7	48.0	28.0	37.4	46.8	26.1	35.5	44.9	23.9	33.3	42.7		
	76	TC	—	79.5	79.5	—	79.9	79.9	—	78.1	78.1	—	74.0	74.0	—	68.1	68.1		
		SHC	—	29.8	39.7	—	29.9	39.8	—	29.3	39.1	—	27.9	37.5	—	26.1	35.5		
	2100 Cfm	EAT (wb)	58	TC	67.7	67.7	76.4	64.0	64.0	72.3	60.1	60.1	67.9	55.8	55.8	63.0	51.0	51.0	57.7
				SHC	58.9	67.7	76.4	55.7	64.0	72.3	52.3	60.1	67.9	48.5	55.8	63.0	44.4	51.0	57.7
62			TC	69.2	69.2	75.6	64.7	64.7	73.5	60.2	60.2	70.5	55.8	55.8	65.5	51.1	51.1	60.0	
			SHC	54.2	64.9	75.6	52.2	62.8	73.5	49.7	60.1	70.5	46.2	55.8	65.5	42.2	51.1	60.0	
67			TC	75.6	75.6	75.6	72.1	72.1	72.1	66.9	66.9	66.9	60.9	60.9	60.9	54.5	54.5	56.9	
			SHC	42.8	53.4	63.9	41.8	52.6	63.3	39.9	50.7	61.6	37.6	48.5	59.3	35.3	46.1	56.9	
72		TC	78.9	78.9	78.9	78.2	78.2	78.2	75.0	75.0	75.0	69.6	69.6	69.6	63.0	63.0	63.0		
		SHC	30.2	40.2	50.2	30.1	40.6	51.0	29.1	39.8	50.5	27.3	38.1	48.9	25.1	35.9	46.7		
76		TC	—	79.7	79.7	—	80.5	80.5	—	79.1	79.1	—	75.5	75.5	—	69.8	69.8		
		SHC	—	30.7	42.3	—	30.8	42.1	—	30.3	41.4	—	29.1	40.1	—	27.4	38.3		
2400 Cfm		EAT (wb)	58	TC	70.8	70.8	80.0	67.3	67.3	76.1	63.1	63.1	71.3	58.6	58.6	66.2	53.7	53.7	60.7
				SHC	61.6	70.8	80.0	58.6	67.3	76.1	54.9	63.1	71.3	51.0	58.6	66.2	46.7	53.7	60.7
	62		TC	71.3	71.3	81.4	67.4	67.4	79.0	63.1	63.1	74.1	58.7	58.7	68.9	53.7	53.7	63.1	
			SHC	57.7	69.6	81.4	55.7	67.4	79.0	52.2	63.1	74.1	48.5	58.7	68.9	44.4	53.7	63.1	
	67		TC	76.7	76.7	76.7	73.7	73.7	73.7	68.5	68.5	68.5	62.4	62.4	64.4	56.0	56.0	62.0	
			SHC	44.7	56.2	67.8	44.1	56.1	68.1	42.3	54.5	66.7	40.1	52.2	64.4	37.8	49.9	62.0	
	72	TC	79.3	79.3	79.3	79.0	79.0	79.0	76.3	76.3	76.3	71.1	71.1	71.1	64.4	64.4	64.4		
		SHC	30.5	41.3	52.1	30.7	42.1	53.6	29.9	41.8	53.8	28.3	40.4	52.5	26.2	38.3	50.5		
	76	TC	—	80.0	80.0	—	80.8	80.8	—	79.8	79.8	—	76.5	76.5	—	71.0	71.0		
		SHC	—	31.2	43.5	—	31.4	43.6	—	31.1	43.3	—	30.2	42.4	—	28.6	40.8		
	2700 Cfm	EAT (wb)	58	TC	73.3	73.3	82.8	70.0	70.0	79.1	65.8	65.8	74.3	61.0	61.0	68.9	55.9	55.9	63.2
				SHC	63.7	73.3	82.8	60.9	70.0	79.1	57.2	65.8	74.3	53.1	61.0	68.9	48.7	55.9	63.2
62			TC	73.3	73.3	85.8	70.1	70.1	82.3	65.8	65.8	77.3	61.1	61.1	71.7	56.0	56.0	65.7	
			SHC	60.5	73.2	85.8	58.0	70.1	82.3	54.4	65.8	77.3	50.5	61.1	71.7	46.3	56.0	65.7	
67			TC	77.5	77.5	77.5	74.9	74.9	74.9	70.0	70.0	71.5	63.7	63.7	69.2	57.2	57.2	66.6	
			SHC	46.1	58.6	71.1	46.1	59.3	72.5	44.7	58.1	71.5	42.4	55.8	69.2	40.0	53.3	66.6	
72		TC	79.6	79.6	79.6	79.5	79.5	79.5	77.2	77.2	77.2	72.3	72.3	72.3	65.6	65.6	65.6		
		SHC	30.8	42.3	53.7	31.1	43.4	55.8	30.7	43.7	56.7	29.2	42.5	55.9	27.2	40.6	54.1		
76		TC	—	80.1	80.1	—	81.1	81.1	—	80.3	80.3	—	77.1	77.1	—	71.9	71.9		
		SHC	—	31.6	44.5	—	32.0	44.9	—	31.8	44.9	—	31.0	44.3	—	29.6	43.0		
3000 Cfm		EAT (wb)	58	TC	75.0	75.0	84.8	72.2	72.2	81.6	68.1	68.1	76.9	63.1	63.1	71.2	57.8	57.8	65.3
				SHC	65.3	75.0	84.8	62.9	72.2	81.6	59.2	68.1	76.9	54.9	63.1	71.2	50.3	57.8	65.3
	62		TC	75.1	75.1	88.1	72.3	72.3	84.8	68.1	68.1	79.9	63.1	63.1	74.1	57.9	57.9	67.9	
			SHC	62.1	75.1	88.1	59.8	72.3	84.8	56.3	68.1	79.9	52.2	63.1	74.1	47.8	57.9	67.9	
	67		TC	77.9	77.9	77.9	75.9	75.9	76.5	71.1	71.1	76.0	65.0	65.0	73.8	58.4	58.4	70.9	
			SHC	47.3	60.6	73.8	48.0	62.2	76.5	46.8	61.4	76.0	44.6	59.2	73.8	42.1	56.5	70.9	
	72	TC	79.3	79.3	79.3	79.9	79.9	79.9	77.9	77.9	77.9	73.2	73.2	73.2	66.5	66.5	66.5		
		SHC	30.9	42.8	54.6	31.6	44.6	57.7	31.3	45.3	59.3	30.0	44.5	59.0	28.1	42.7	57.4		
	76	TC	—	80.1	80.1	—	81.2	81.2	—	80.6	80.6	—	77.6	77.6	—	72.5	72.5		
		SHC	—	32.0	45.4	—	32.4	46.0	—	32.5	46.4	—	31.8	46.1	—	30.6	45.1		

### LEGEND

- Do Not Operate
- CFM — Cubic Feet Per Minute (Supply Air)
- EAT (db) — Entering Air Temperature (Dry Bulb)
- EAT (wb) — Entering Air Temperature (Wet Bulb)
- SHC — Sensible Heat Capacity (1000 Btuh) Gross
- TC — Total Capacity (1000 Btuh) Gross

**COOLING CAPACITIES 2-STAGE COOLING, 6 TONS**

549J07D			AMBIENT TEMPERATURE (F)																
			85			95			105			115			125				
			EAT (db)			EAT (db)			EAT (db)			EAT (db)			EAT (db)				
			75	80	85	75	80	85	75	80	85	75	80	85	75	80	85		
1800 Cfm	EAT (wb)	58	TC	64.5	64.5	72.8	61.9	61.9	69.9	59.1	59.1	66.7	56.0	56.0	63.3	52.7	52.7	59.6	
			SHC	56.1	64.5	72.8	53.8	61.9	69.9	51.4	59.1	66.7	48.7	56.0	63.3	45.8	52.7	59.6	
		62	TC	67.4	67.4	69.3	64.1	64.1	67.5	60.6	60.6	65.7	56.9	56.9	63.7	53.0	53.0	61.4	
			SHC	50.7	60.0	69.3	49.0	58.3	67.5	47.2	56.5	65.7	45.3	54.5	63.7	43.2	52.3	61.4	
		67	TC	73.7	73.7	73.7	70.0	70.0	70.0	66.2	66.2	66.2	62.2	62.2	62.2	57.8	57.8	57.8	
			SHC	41.7	51.0	60.3	40.0	49.3	58.6	38.3	47.6	56.9	36.5	45.8	55.1	34.6	43.9	53.2	
	72	TC	80.6	80.6	80.6	76.8	76.8	76.8	72.7	72.7	72.7	68.3	68.3	68.3	63.6	63.6	63.6		
		SHC	32.4	41.8	51.2	30.8	40.2	49.6	29.1	38.5	47.9	27.4	36.7	46.1	25.5	34.9	44.2		
	76	TC	—	86.6	86.6	—	82.4	82.4	—	78.1	78.1	—	73.4	73.4	—	68.4	68.4		
		SHC	—	34.4	44.3	—	32.8	42.7	—	31.2	40.9	—	29.4	39.1	—	27.6	37.2		
	2100 Cfm	EAT (wb)	58	TC	67.9	67.9	76.7	65.0	65.0	73.5	62.0	62.0	70.1	58.8	58.8	66.4	55.2	55.2	62.5
				SHC	59.1	67.9	76.7	56.6	65.0	73.5	53.9	62.0	70.1	51.1	58.8	66.4	48.0	55.2	62.5
62			TC	69.3	69.3	75.5	66.0	66.0	73.6	62.4	62.4	71.5	58.8	58.8	69.1	55.3	55.3	65.0	
			SHC	54.3	64.9	75.5	52.6	63.1	73.6	50.7	61.1	71.5	48.6	58.8	69.1	45.6	55.3	65.0	
67			TC	75.6	75.6	75.6	71.7	71.7	71.7	67.7	67.7	67.7	63.5	63.5	63.5	59.0	59.0	59.0	
			SHC	44.0	54.7	65.3	42.3	53.0	63.6	40.6	51.2	61.9	38.7	49.4	60.0	36.8	47.5	58.1	
72		TC	82.6	82.6	82.6	78.6	78.6	78.6	74.3	74.3	74.3	69.7	69.7	69.7	64.8	64.8	64.8		
		SHC	33.5	44.2	54.9	31.8	42.5	53.2	30.1	40.8	51.5	28.3	39.0	49.7	26.5	37.1	47.7		
76		TC	—	88.5	88.5	—	84.3	84.3	—	79.7	79.7	—	74.8	74.8	—	69.6	69.6		
		SHC	—	35.7	46.9	—	34.1	45.2	—	32.4	43.5	—	30.6	41.6	—	28.7	39.6		
2400 Cfm		EAT (wb)	58	TC	70.6	70.6	79.7	67.6	67.6	76.3	64.4	64.4	72.7	60.9	60.9	68.9	57.2	57.2	64.7
				SHC	61.5	70.6	79.7	58.8	67.6	76.3	56.0	64.4	72.7	53.0	60.9	68.9	49.7	57.2	64.7
	62		TC	71.1	71.1	81.0	67.9	67.9	78.2	64.4	64.4	75.6	61.0	61.0	71.6	57.3	57.3	67.3	
			SHC	57.6	69.3	81.0	55.4	66.8	78.2	53.3	64.4	75.6	50.4	61.0	71.6	47.3	57.3	67.3	
	67		TC	77.0	77.0	77.0	73.0	73.0	73.0	68.9	68.9	68.9	64.5	64.5	64.6	59.9	59.9	62.6	
			SHC	46.2	58.1	70.0	44.5	56.4	68.3	42.7	54.6	66.5	40.9	52.7	64.6	38.9	50.8	62.6	
	72	TC	84.1	84.1	84.1	79.9	79.9	79.9	75.5	75.5	75.5	70.8	70.8	70.8	65.8	65.8	65.8		
		SHC	34.4	46.4	58.3	32.7	44.7	56.6	31.0	42.9	54.9	29.2	41.1	53.0	27.3	39.2	51.0		
	76	TC	—	90.1	90.1	—	85.6	85.6	—	80.9	80.9	—	75.9	75.9	—	70.5	70.5		
		SHC	—	36.9	49.3	—	35.3	47.6	—	33.5	45.8	—	31.7	43.9	—	29.8	41.9		
	2700 Cfm	EAT (wb)	58	TC	72.8	72.8	82.1	69.6	69.6	78.6	66.3	66.3	74.9	62.7	62.7	70.9	58.8	58.8	66.5
				SHC	63.4	72.8	82.1	60.6	69.6	78.6	57.7	66.3	74.9	54.5	62.7	70.9	51.2	58.8	66.5
62			TC	72.8	72.8	85.3	69.7	69.7	81.7	66.4	66.4	77.9	62.8	62.8	73.7	58.9	58.9	69.2	
			SHC	60.3	72.8	85.3	57.7	69.7	81.7	54.9	66.4	77.9	51.9	62.8	73.7	48.6	58.9	69.2	
67			TC	78.0	78.0	78.0	74.0	74.0	74.0	69.8	69.8	70.9	65.4	65.4	69.0	60.7	60.7	66.9	
			SHC	48.2	61.3	74.4	46.5	59.6	72.7	44.7	57.8	70.9	42.8	55.9	69.0	40.8	53.9	66.9	
72		TC	85.2	85.2	85.2	81.0	81.0	81.0	76.4	76.4	76.4	71.6	71.6	71.6	66.5	66.5	66.5		
		SHC	35.2	48.4	61.5	33.6	46.7	59.8	31.8	44.9	58.0	30.0	43.0	56.1	28.1	41.1	54.1		
76		TC	—	91.2	91.2	—	86.6	86.6	—	81.8	81.8	—	76.7	76.7	—	71.2	71.2		
		SHC	—	38.0	51.5	—	36.3	49.8	—	34.6	47.9	—	32.7	46.0	—	30.8	44.0		
3000 Cfm		EAT (wb)	58	TC	74.8	74.8	84.4	71.4	71.4	80.7	68.0	68.0	76.8	64.2	64.2	72.6	60.2	60.2	68.1
				SHC	65.1	74.8	84.4	62.2	71.4	80.7	59.1	68.0	76.8	55.9	64.2	72.6	52.4	60.2	68.1
	62		TC	74.8	74.8	87.7	71.5	71.5	83.8	68.0	68.0	79.8	64.3	64.3	75.4	60.3	60.3	70.8	
			SHC	62.0	74.8	87.7	59.2	71.5	83.8	56.2	68.0	79.8	53.1	64.3	75.4	49.8	60.3	70.8	
	67		TC	78.9	78.9	78.9	74.9	74.9	76.9	70.6	70.6	75.0	66.1	66.1	73.0	61.4	61.4	70.8	
			SHC	50.1	64.4	78.6	48.4	62.6	76.9	46.6	60.8	75.0	44.7	58.8	73.0	42.6	56.7	70.8	
	72	TC	86.2	86.2	86.2	81.8	81.8	81.8	77.2	77.2	77.2	72.3	72.3	72.3	67.1	67.1	67.1		
		SHC	36.0	50.3	64.5	34.3	48.6	62.8	32.6	46.8	60.9	30.7	44.9	59.0	28.8	42.9	57.0		
	76	TC	—	92.1	92.1	—	87.4	87.4	—	82.5	82.5	—	77.3	77.3	—	71.8	71.8		
		SHC	—	39.0	53.6	—	37.3	51.8	—	35.5	49.9	—	33.6	48.0	—	31.7	45.9		

**LEGEND**

- Do Not Operate
- CFM** — Cubic Feet Per Minute (Supply Air)
- EAT (db)** — Entering Air Temperature (Dry Bulb)
- EAT (wb)** — Entering Air Temperature (Wet Bulb)
- SHC** — Sensible Heat Capacity (1000 Btuh) Gross
- TC** — Total Capacity (1000 Btuh) Gross

# Performance data (cont)

## COOLING CAPACITIES 2-STAGE COOLING, 7.5 TONS

549J08D			AMBIENT TEMPERATURE (F)																
			85			95			105			115			125				
			EAT (db)			EAT (db)			EAT (db)			EAT (db)			EAT (db)				
			75	80	85	75	80	85	75	80	85	75	80	85	75	80	85		
2250 Cfm	EAT (wb)	58	TC	81.1	81.1	92.1	76.4	76.4	86.8	73.0	73.0	82.9	69.3	69.3	78.7	65.2	65.2	74.1	
			SHC	70.1	81.1	92.1	66.0	76.4	86.8	63.1	73.0	82.9	59.8	69.3	78.7	56.4	65.2	74.1	
		62	TC	86.2	86.2	86.2	80.1	80.1	83.0	75.6	75.6	80.9	70.8	70.8	78.6	65.9	65.9	76.1	
			SHC	62.5	74.2	85.9	59.7	71.3	83.0	57.6	69.3	80.9	55.4	67.0	78.6	53.0	64.5	76.1	
		67	TC	94.3	94.3	94.3	87.6	87.6	87.6	82.8	82.8	82.8	77.6	77.6	77.6	72.1	72.1	72.1	
			SHC	51.3	63.0	74.6	48.5	60.1	71.8	46.5	58.1	69.8	44.4	56.0	67.7	42.2	53.8	65.5	
	72	TC	102.9	102.9	102.9	95.6	95.6	95.6	90.3	90.3	90.3	84.7	84.7	84.7	78.7	78.7	78.7		
		SHC	39.6	51.4	63.1	36.9	48.6	60.3	34.9	46.6	58.3	32.9	44.5	56.2	30.7	42.4	54.1		
	76	TC	—	109.9	109.9	—	102.1	102.1	—	96.4	96.4	—	90.5	90.5	—	84.1	84.1		
		SHC	—	41.8	54.2	—	39.1	51.4	—	37.2	49.4	—	35.2	47.2	—	33.1	45.0		
	2625 Cfm	EAT (wb)	58	TC	85.7	85.7	97.3	80.6	80.6	91.5	76.9	76.9	87.3	72.8	72.8	82.7	68.5	68.5	77.8
				SHC	74.0	85.7	97.3	69.6	80.6	91.5	66.4	76.9	87.3	62.9	72.8	82.7	59.2	68.5	77.8
62			TC	89.0	89.0	94.2	82.6	82.6	91.1	78.0	78.0	88.7	73.3	73.3	85.3	68.5	68.5	81.0	
			SHC	67.3	80.7	94.2	64.3	77.7	91.1	62.1	75.4	88.7	59.3	72.3	85.3	56.1	68.5	81.0	
67			TC	97.2	97.2	97.2	90.1	90.1	90.1	85.0	85.0	85.0	79.6	79.6	79.6	73.8	73.8	73.8	
			SHC	54.3	67.8	81.2	51.4	64.9	78.3	49.4	62.8	76.3	47.3	60.7	74.1	45.0	58.5	71.9	
72		TC	105.8	105.8	105.8	98.1	98.1	98.1	92.6	92.6	92.6	86.7	86.7	86.7	80.5	80.5	80.5		
		SHC	40.9	54.4	67.9	38.1	51.5	65.0	36.1	49.5	63.0	34.0	47.4	60.9	31.8	45.3	58.7		
76		TC	—	112.7	112.7	—	104.5	104.5	—	98.6	98.6	—	92.4	92.4	—	85.8	85.8		
		SHC	—	43.5	57.6	—	40.7	54.6	—	38.7	52.5	—	36.7	50.4	—	34.5	48.1		
3000 Cfm		EAT (wb)	58	TC	89.5	89.5	101.6	84.1	84.1	95.5	80.1	80.1	90.9	75.7	75.7	86.0	71.2	71.2	80.8
				SHC	77.3	89.5	101.6	72.6	84.1	95.5	69.2	80.1	90.9	65.5	75.7	86.0	61.5	71.2	80.8
	62		TC	91.3	91.3	101.9	84.8	84.8	97.7	80.3	80.3	94.3	75.8	75.8	89.5	71.2	71.2	84.1	
			SHC	71.7	86.8	101.9	68.2	83.0	97.7	65.5	79.9	94.3	62.1	75.8	89.5	58.3	71.2	84.1	
	67		TC	99.5	99.5	99.5	92.1	92.1	92.1	86.8	86.8	86.8	81.1	81.1	81.1	75.1	75.1	78.2	
			SHC	57.2	72.4	87.5	54.2	69.4	84.6	52.2	67.4	82.6	50.0	65.2	80.4	47.8	63.0	78.2	
	72	TC	108.1	108.1	108.1	100.0	100.0	100.0	94.3	94.3	94.3	88.2	88.2	88.2	81.8	81.8	81.8		
		SHC	42.0	57.2	72.4	39.1	54.3	69.5	37.1	52.3	67.4	35.0	50.2	65.3	32.9	48.0	63.1		
	76	TC	—	114.8	114.8	—	106.3	106.3	—	100.3	100.3	—	93.8	93.8	—	87.0	87.0		
		SHC	—	44.9	60.6	—	42.0	57.6	—	40.1	55.5	—	38.0	53.3	—	35.8	51.0		
	3375 Cfm	EAT (wb)	58	TC	92.8	92.8	105.4	87.0	87.0	98.8	82.8	82.8	94.0	78.2	78.2	88.9	73.4	73.4	83.4
				SHC	80.2	92.8	105.4	75.2	87.0	98.8	71.5	82.8	94.0	67.6	78.2	88.9	63.4	73.4	83.4
62			TC	93.6	93.6	108.0	87.1	87.1	102.8	82.8	82.8	97.8	78.3	78.3	92.5	73.5	73.5	86.8	
			SHC	75.3	91.6	108.0	71.3	87.1	102.8	67.9	82.8	97.8	64.1	78.3	92.5	60.1	73.5	86.8	
67			TC	101.3	101.3	101.3	93.6	93.6	93.6	88.1	88.1	88.6	82.3	82.3	86.4	76.2	76.2	84.0	
			SHC	59.9	76.8	93.6	56.9	73.8	90.7	54.8	71.7	88.6	52.6	69.5	86.4	50.3	67.2	84.0	
72		TC	109.8	109.8	109.8	101.5	101.5	101.5	95.6	95.6	95.6	89.3	89.3	89.3	82.8	82.8	82.8		
		SHC	43.0	59.9	76.7	40.1	56.9	73.8	38.1	54.9	71.7	36.0	52.8	69.6	33.8	50.6	67.4		
76		TC	—	116.4	116.4	—	107.6	107.6	—	101.4	101.4	—	94.8	94.8	—	87.9	87.9		
		SHC	—	46.1	63.3	—	43.2	60.2	—	41.2	58.1	—	39.1	55.9	—	37.0	53.6		
3750 Cfm		EAT (wb)	58	TC	95.6	95.6	108.6	89.5	89.5	101.7	85.1	85.1	96.7	80.4	80.4	91.3	75.3	75.3	85.5
				SHC	82.6	95.6	108.6	77.4	89.5	101.7	73.6	85.1	96.7	69.4	80.4	91.3	65.1	75.3	85.5
	62		TC	95.7	95.7	113.0	89.6	89.6	105.8	85.2	85.2	100.6	80.4	80.4	95.0	75.4	75.4	89.0	
			SHC	78.3	95.7	113.0	73.4	89.6	105.8	69.7	85.2	100.6	65.8	80.4	95.0	61.7	75.4	89.0	
	67		TC	102.7	102.7	102.7	94.8	94.8	96.6	89.2	89.2	94.4	83.3	83.3	92.1	77.1	77.1	89.6	
			SHC	62.5	81.0	99.6	59.5	78.0	96.6	57.4	75.9	94.4	55.1	73.6	92.1	52.8	71.2	89.6	
	72	TC	111.3	111.3	111.3	102.8	102.8	102.8	96.7	96.7	96.7	90.3	90.3	90.3	83.6	83.6	83.6		
		SHC	44.0	62.4	80.8	41.1	59.5	77.9	39.0	57.4	75.8	36.9	55.3	73.7	34.7	53.1	71.5		
	76	TC	—	117.5	117.5	—	108.6	108.6	—	102.3	102.3	—	95.6	95.6	—	88.6	88.6		
		SHC	—	47.2	65.7	—	44.3	62.6	—	42.3	60.5	—	40.2	58.2	—	38.0	55.9		

### LEGEND

- Do Not Operate
- CFM — Cubic Feet Per Minute (Supply Air)
- EAT (db) — Entering Air Temperature (Dry Bulb)
- EAT (wb) — Entering Air Temperature (Wet Bulb)
- SHC — Sensible Heat Capacity (1000 Btuh) Gross
- TC — Total Capacity (1000 Btuh) Gross

**COOLING CAPACITIES 2-STAGE COOLING, 8.5 TONS**

549J09D				AMBIENT TEMPERATURE (F)															
				85			95			105			115			125			
				EAT (db)			EAT (db)			EAT (db)			EAT (db)			EAT (db)			
				75	80	85	75	80	85	75	80	85	75	80	85	75	80	85	
2550 Cfm	EAT (wb)	58	TC	85.8	85.8	97.8	80.9	80.9	91.8	75.7	75.7	85.9	70.2	70.2	79.7	64.4	64.4	73.1	
			SHC	73.9	85.8	97.8	70.0	80.9	91.8	65.5	75.7	85.9	60.7	70.2	79.7	55.7	64.4	73.1	
		62	TC	90.4	90.4	94.5	83.8	83.8	91.4	76.8	76.8	88.0	70.5	70.5	82.7	64.5	64.5	76.1	
			SHC	67.8	81.1	94.5	64.8	78.1	91.4	61.6	74.8	88.0	57.6	70.1	82.7	52.8	64.5	76.1	
		67	TC	101.6	101.6	101.6	95.0	95.0	95.0	87.4	87.4	87.4	79.3	79.3	79.3	71.0	71.0	71.0	
			SHC	55.5	68.7	81.9	52.9	66.3	79.7	49.9	63.3	76.7	46.9	60.3	73.7	43.8	57.2	70.6	
	72	TC	109.3	109.3	109.3	106.0	106.0	106.0	99.6	99.6	99.6	91.4	91.4	91.4	82.7	82.7	82.7		
		SHC	41.1	54.1	67.2	39.9	53.3	66.6	37.7	51.1	64.6	34.9	48.3	61.7	32.0	45.4	58.8		
	76	TC	—	114.5	114.5	—	111.2	111.2	—	107.7	107.7	—	101.0	101.0	—	92.6	92.6		
		SHC	—	42.6	56.7	—	41.6	55.6	—	40.5	54.5	—	38.3	51.9	—	35.6	49.2		
	2975 Cfm	EAT (wb)	58	TC	91.8	91.8	104.5	86.4	86.4	98.0	80.7	80.7	91.6	74.7	74.7	84.8	68.6	68.6	77.8
				SHC	79.1	91.8	104.5	74.7	86.4	98.0	69.8	80.7	91.6	64.6	74.7	84.8	59.3	68.6	77.8
62			TC	94.4	94.4	104.4	87.5	87.5	100.5	81.0	81.0	95.1	74.8	74.8	88.3	68.7	68.7	81.0	
			SHC	73.8	89.1	104.4	70.3	85.4	100.5	66.1	80.6	95.1	61.3	74.8	88.3	56.3	68.7	81.0	
67			TC	104.3	104.3	104.3	98.6	98.6	98.6	90.6	90.6	90.6	82.1	82.1	82.1	73.4	73.4	78.4	
			SHC	58.7	73.7	88.6	56.8	72.3	87.8	53.8	69.3	84.8	50.7	66.1	81.6	47.5	62.9	78.4	
72		TC	111.3	111.3	111.3	108.0	108.0	108.0	102.7	102.7	102.7	94.5	94.5	94.5	85.5	85.5	85.5		
		SHC	42.2	56.7	71.3	41.0	56.1	71.3	39.3	54.8	70.3	36.6	52.1	67.6	33.7	49.2	64.7		
76		TC	—	116.3	116.3	—	112.7	112.7	—	109.2	109.2	—	103.5	103.5	—	95.4	95.4		
		SHC	—	44.3	60.6	—	43.1	59.0	—	41.9	57.7	—	40.2	56.0	—	37.7	53.4		
3400 Cfm		EAT (wb)	58	TC	96.6	96.6	109.9	91.1	91.1	103.4	85.1	85.1	96.6	78.7	78.7	89.3	72.1	72.1	81.8
				SHC	83.3	96.6	109.9	78.8	91.1	103.4	73.6	85.1	96.6	68.1	78.7	89.3	62.4	72.1	81.8
	62		TC	97.7	97.7	112.8	91.7	91.7	106.8	85.3	85.3	100.7	78.8	78.8	93.0	72.2	72.2	85.2	
			SHC	78.6	95.7	112.8	74.4	90.6	106.8	69.9	85.3	100.7	64.6	78.8	93.0	59.2	72.2	85.2	
	67		TC	106.0	106.0	106.0	101.2	101.2	101.2	93.0	93.0	93.0	84.4	84.4	89.2	75.5	75.5	85.8	
			SHC	61.6	78.1	94.7	60.2	77.7	95.1	57.4	74.9	92.4	54.2	71.7	89.2	50.9	68.4	85.8	
	72	TC	112.7	112.7	112.7	109.3	109.3	109.3	104.8	104.8	104.8	96.8	96.8	96.8	87.7	87.7	87.7		
		SHC	43.1	59.0	75.0	41.9	58.5	75.2	40.7	58.0	75.4	38.1	55.7	73.2	35.2	52.8	70.4		
	76	TC	—	117.6	117.6	—	113.9	113.9	—	110.2	110.2	—	105.2	105.2	—	97.2	97.2		
		SHC	—	45.4	63.0	—	44.2	61.5	—	43.1	60.5	—	41.8	59.4	—	39.5	57.2		
	3825 Cfm	EAT (wb)	58	TC	100.5	100.5	114.2	95.1	95.1	107.9	88.9	88.9	100.8	82.2	82.2	93.3	75.3	75.3	85.5
				SHC	86.7	100.5	114.2	82.3	95.1	107.9	76.9	88.9	100.8	71.1	82.2	93.3	65.2	75.3	85.5
62			TC	100.6	100.6	119.0	95.4	95.4	112.5	89.0	89.0	105.0	82.3	82.3	97.1	75.4	75.4	89.0	
			SHC	82.3	100.6	119.0	78.2	95.4	112.5	72.9	89.0	105.0	67.5	82.3	97.1	61.8	75.4	89.0	
67			TC	107.3	107.3	107.3	103.1	103.1	103.1	95.1	95.1	99.8	86.3	86.3	96.4	77.3	77.3	92.6	
			SHC	64.1	82.2	100.2	63.4	82.7	102.0	60.8	80.3	99.8	57.6	77.0	96.4	54.2	73.4	92.6	
72		TC	113.8	113.8	113.8	110.3	110.3	110.3	106.3	106.3	106.3	98.5	98.5	98.5	89.3	89.3	89.3		
		SHC	44.0	61.2	78.3	42.7	60.8	78.9	41.8	61.0	80.1	39.5	59.0	78.5	36.6	56.2	75.7		
76		TC	—	118.6	118.6	—	114.8	114.8	—	110.9	110.9	—	106.3	106.3	—	98.5	98.5		
		SHC	—	46.4	65.1	—	45.2	63.9	—	44.2	63.0	—	43.2	62.5	—	41.1	60.7		
4250 Cfm		EAT (wb)	58	TC	103.2	103.2	117.2	98.5	98.5	111.8	92.2	92.2	104.6	85.3	85.3	96.8	78.1	78.1	88.7
				SHC	89.1	103.2	117.2	85.2	98.5	111.8	79.7	92.2	104.6	73.8	85.3	96.8	67.6	78.1	88.7
	62		TC	103.2	103.2	121.8	98.6	98.6	116.3	92.3	92.3	108.9	85.4	85.4	100.7	78.2	78.2	92.3	
			SHC	84.6	103.2	121.8	80.8	98.6	116.3	75.6	92.3	108.9	70.0	85.4	100.7	64.1	78.2	92.3	
	67		TC	108.3	108.3	108.3	104.5	104.5	108.3	96.8	96.8	106.7	88.0	88.0	103.2	79.3	79.3	97.6	
			SHC	66.5	86.0	105.5	66.3	87.3	108.3	64.0	85.3	106.7	60.7	82.0	103.2	56.6	77.1	97.6	
	72	TC	114.7	114.7	114.7	111.1	111.1	111.1	107.3	107.3	107.3	99.9	99.9	99.9	90.6	90.6	90.6		
		SHC	44.8	63.1	81.5	43.5	62.9	82.3	42.8	63.5	84.2	40.7	62.1	83.5	37.9	59.4	81.0		
	76	TC	—	119.4	119.4	—	115.5	115.5	—	111.4	111.4	—	107.1	107.1	—	99.5	99.5		
		SHC	—	47.3	67.0	—	46.2	66.0	—	45.2	65.3	—	44.5	65.3	—	42.6	63.9		

**LEGEND**

- Do Not Operate
- CFM** — Cubic Feet Per Minute (Supply Air)
- EAT (db)** — Entering Air Temperature (Dry Bulb)
- EAT (wb)** — Entering Air Temperature (Wet Bulb)
- SHC** — Sensible Heat Capacity (1000 Btuh) Gross
- TC** — Total Capacity (1000 Btuh) Gross

# Performance data (cont)

## COOLING CAPACITIES 2-STAGE COOLING, 10 TONS

549J12D				AMBIENT TEMPERATURE (F)															
				85			95			105			115			125			
				EAT (db)			EAT (db)			EAT (db)			EAT (db)			EAT (db)			
				75	80	85	75	80	85	75	80	85	75	80	85	75	80	85	
3000 Cfm	EAT (wb)	58	TC	106.0	106.0	119.9	102.0	102.0	115.3	97.6	97.6	110.4	92.9	92.9	105.0	87.5	87.5	98.9	
			SHC	92.2	106.0	119.9	88.6	102.0	115.3	84.9	97.6	110.4	80.7	92.9	105.0	76.1	87.5	98.9	
		62	TC	112.3	112.3	113.3	107.1	107.1	110.7	101.5	101.5	107.9	95.4	95.4	104.7	88.9	88.9	100.5	
			SHC	83.4	98.3	113.3	80.8	95.8	110.7	78.1	93.0	107.9	75.1	89.9	104.7	71.5	86.0	100.5	
		67	TC	123.3	123.3	123.3	117.6	117.6	117.6	111.4	111.4	111.4	104.5	104.5	104.5	97.0	97.0	97.0	
			SHC	69.2	84.3	99.3	66.7	81.7	96.8	64.1	79.1	94.1	61.2	76.2	91.2	58.0	73.0	88.0	
	72	TC	135.2	135.2	135.2	128.8	128.8	128.8	121.9	121.9	121.9	114.4	114.4	114.4	106.2	106.2	106.2		
		SHC	54.5	69.8	85.0	52.0	67.3	82.5	49.4	64.6	79.8	46.5	61.7	76.8	43.4	58.5	73.6		
	76	TC	—	145.1	145.1	—	138.2	138.2	—	130.7	130.7	—	122.6	122.6	—	113.7	113.7		
		SHC	—	57.9	74.3	—	55.4	71.8	—	52.8	69.1	—	50.0	66.1	—	46.9	62.8		
	3500 Cfm	EAT (wb)	58	TC	111.6	111.6	126.2	107.3	107.3	121.4	102.6	102.6	116.0	97.4	97.4	110.2	91.6	91.6	103.6
				SHC	97.1	111.6	126.2	93.3	107.3	121.4	89.2	102.6	116.0	84.7	97.4	110.2	79.6	91.6	103.6
62			TC	115.9	115.9	123.6	110.5	110.5	120.7	104.6	104.6	117.4	98.6	98.6	112.5	92.1	92.1	106.9	
			SHC	89.4	106.5	123.6	86.7	103.7	120.7	83.7	100.5	117.4	79.8	96.1	112.5	75.4	91.2	106.9	
67			TC	127.0	127.0	127.0	120.9	120.9	120.9	114.3	114.3	114.3	107.1	107.1	107.1	99.2	99.2	99.2	
			SHC	73.2	90.5	107.8	70.7	87.9	105.2	67.9	85.1	102.4	64.9	82.2	99.4	61.7	78.9	96.1	
72		TC	139.1	139.1	139.1	132.3	132.3	132.3	125.0	125.0	125.0	117.0	117.0	117.0	108.4	108.4	108.4		
		SHC	56.4	73.8	91.3	53.8	71.2	88.6	51.1	68.4	85.8	48.1	65.4	82.8	44.9	62.2	79.5		
76		TC	—	149.0	149.0	—	141.7	141.7	—	133.8	133.8	—	125.2	125.2	—	—	—		
		SHC	—	60.3	79.1	—	57.7	76.3	—	54.9	73.3	—	52.0	70.1	—	—	—		
4000 Cfm		EAT (wb)	58	TC	116.5	116.5	131.7	111.8	111.8	126.5	106.8	106.8	120.7	101.2	101.2	114.4	95.0	95.0	107.4
				SHC	101.2	116.5	131.7	97.2	111.8	126.5	92.8	106.8	120.7	88.0	101.2	114.4	82.5	95.0	107.4
	62		TC	118.9	118.9	133.1	113.5	113.5	128.6	107.8	107.8	123.8	101.7	101.7	118.4	95.1	95.1	111.7	
			SHC	94.9	114.0	133.1	91.4	110.0	128.6	87.6	105.7	123.8	83.4	100.9	118.4	78.5	95.1	111.7	
	67		TC	129.9	129.9	129.9	123.5	123.5	123.5	116.6	116.6	116.6	109.1	109.1	109.1	100.9	100.9	103.8	
			SHC	77.0	96.4	115.9	74.4	93.8	113.2	71.5	90.9	110.3	68.5	87.8	107.2	65.2	84.5	103.8	
	72	TC	142.0	142.0	142.0	135.0	135.0	135.0	127.3	127.3	127.3	119.1	119.1	119.1	110.1	110.1	110.1		
		SHC	58.0	77.6	97.2	55.4	74.9	94.5	52.6	72.1	91.6	49.6	69.0	88.5	46.3	65.7	85.1		
	76	TC	—	152.0	152.0	—	144.4	144.4	—	136.2	136.2	—	—	—	—	—	—		
		SHC	—	62.4	83.1	—	59.7	80.2	—	56.9	77.2	—	—	—	—	—	—		
	4500 Cfm	EAT (wb)	58	TC	120.6	120.6	136.3	115.7	115.7	130.8	110.3	110.3	124.7	104.4	104.4	118.0	97.8	97.8	110.5
				SHC	104.8	120.6	136.3	100.5	115.7	130.8	95.9	110.3	124.7	90.7	104.4	118.0	85.0	97.8	110.5
62			TC	122.1	122.1	139.4	116.6	116.6	134.6	110.6	110.6	129.9	104.4	104.4	122.7	97.8	97.8	114.9	
			SHC	98.8	119.1	139.4	95.1	114.9	134.6	91.3	110.6	129.9	86.2	104.4	122.7	80.7	97.8	114.9	
67			TC	132.2	132.2	132.2	125.5	125.5	125.5	118.4	118.4	118.4	110.6	110.6	114.6	102.2	102.2	111.0	
			SHC	80.6	102.1	123.7	77.8	99.4	120.9	74.9	96.4	117.9	71.8	93.2	114.6	68.4	89.7	111.0	
72		TC	144.4	144.4	144.4	137.1	137.1	137.1	129.2	129.2	129.2	120.7	120.7	120.7	111.4	111.4	111.4		
		SHC	59.5	81.2	102.8	56.8	78.4	100.1	54.0	75.5	97.1	50.9	72.4	93.9	47.6	69.1	90.5		
76		TC	—	154.4	154.4	—	146.5	146.5	—	138.0	138.0	—	—	—	—	—	—		
		SHC	—	64.2	86.9	—	61.5	84.0	—	58.7	81.0	—	—	—	—	—	—		
5000 Cfm		EAT (wb)	58	TC	124.1	124.1	140.4	119.0	119.0	134.5	113.3	113.3	128.1	107.1	107.1	121.1	100.1	100.1	113.2
				SHC	107.9	124.1	140.4	103.4	119.0	134.5	98.5	113.3	128.1	93.1	107.1	121.1	87.0	100.1	113.2
	62		TC	124.9	124.9	144.9	119.2	119.2	140.0	113.4	113.4	133.2	107.1	107.1	125.8	100.2	100.2	117.7	
			SHC	102.2	123.6	144.9	98.4	119.2	140.0	93.6	113.4	133.2	88.4	107.1	125.8	82.7	100.2	117.7	
	67		TC	134.0	134.0	134.0	127.2	127.2	128.2	119.8	119.8	125.1	111.9	111.9	121.6	103.3	103.3	117.6	
			SHC	83.9	107.5	131.1	81.1	104.7	128.2	78.2	101.6	125.1	74.9	98.3	121.6	71.3	94.5	117.6	
	72	TC	146.3	146.3	146.3	138.8	138.8	138.8	130.7	130.7	130.7	121.9	121.9	121.9	112.5	112.5	112.5		
		SHC	60.9	84.6	108.3	58.1	81.8	105.4	55.2	78.8	102.4	52.2	75.6	99.1	48.8	72.2	95.6		
	76	TC	—	156.4	156.4	—	148.2	148.2	—	—	—	—	—	—	—	—	—		
		SHC	—	66.0	90.6	—	63.3	87.6	—	—	—	—	—	—	—	—	—		

### LEGEND

- Do Not Operate
- CFM — Cubic Feet Per Minute (Supply Air)
- EAT (db) — Entering Air Temperature (Dry Bulb)
- EAT (wb) — Entering Air Temperature (Wet Bulb)
- SHC — Sensible Heat Capacity (1000 Btuh) Gross
- TC — Total Capacity (1000 Btuh) Gross

### HEATING CAPACITIES, 3 TONS

549J04A											
RETURN AIR (°F db)	CFM (STANDARD AIR)		TEMPERATURE AIR ENTERING OUTDOOR COIL (°F db at 70% RH)								
			-10	0	10	17	30	40	47	50	60
55	900	Capacity Int. Cap		13.3	17.2	20	26	31.3	35.6	37.0	42.7
				12.3	15.8	18.3	22.8	31.3	35.6	37.0	42.7
	1200	Capacity Int. Cap		13.8	17.8	20.8	27.0	32.8	36.9	38.3	44.1
				12.7	16.3	18.9	23.6	32.8	36.9	38.3	45.1
	1500	Capacity Int. Cap		18.7	21.8	28.2	34.0	38.1	39.4	45.1	
				17.2	19.8	24.7	34.0	38.1	39.4	45.1	
70	900	Capacity Int. Cap	7.5	11.0	14.9	17.8	23.6	28.5	32.7	34.2	40.4
			6.9	10.2	13.7	16.2	20.7	28.5	32.7	34.2	40.4
	1200	Capacity Int. Cap	7.9	11.6	15.6	18.6	24.7	29.9	34.6	36.0	41.9
			7.3	10.7	14.3	16.9	21.6	29.9	34.6	36.0	41.9
	1500	Capacity Int. Cap	8.7	12.4	16.5	19.6	25.8	31.3	35.9	37.3	43.1
			8.0	11.4	15.1	17.8	22.6	31.3	35.9	37.3	43.1
80	900	Capacity Int. Cap	5.7	9.3	13.2	16.1	21.9	26.8	30.5	32.1	38.4
			5.3	8.5	12.1	14.7	19.2	26.8	30.5	32.1	38.4
	1200	Capacity Int. Cap	6.1	9.8	13.9	16.9	22.9	28.1	32.3	33.9	40.3
			5.6	9.0	12.7	15.4	20.1	28.1	32.3	33.9	40.3
	1500	Capacity Int. Cap	6.8	10.6	14.8	17.9	24.1	29.4	34.0	35.6	41.6
			6.3	9.8	13.6	16.3	21.1	29.4	34.0	35.6	41.6

**LEGEND**

- Indicates operation not permissible
- Capacity** — Instantaneous Capacity (1000 Btuh) includes indoor fan motor heat at AHRI static conditions
- db** — Dry Bulb
- Int. Cap.** — Integrated Capacity is Instantaneous Capacity minus the effects of frost on the outdoor coil and the heat required to defrost
- RH** — Relative Humidity

### HEATING CAPACITIES, 4 TONS

549J05A											
RETURN AIR (°F db)	CFM (STANDARD AIR)		TEMPERATURE AIR ENTERING OUTDOOR COIL (°F db at 70% RH)								
			-10	0	10	17	30	40	47	50	60
55	1200	Capacity Int. Cap		18.5	23.8	27.7	35.3	41.9	47.6	49.3	56.5
				17.1	21.8	25.2	30.9	41.9	47.6	49.3	56.5
	1600	Capacity Int. Cap		18.8	24.3	28.4	36.1	43.6	48.7	50.4	57.4
				17.3	22.3	25.9	31.6	43.6	48.7	50.4	57.4
	2000	Capacity Int. Cap		19.8	25.3	29.7	37.5	44.9	49.8	51.4	58.0
				18.2	23.2	27.1	32.9	44.9	49.8	51.4	58.0
70	1200	Capacity Int. Cap	10.9	16.2	21.4	25.2	32.8	38.9	44.0	46.0	54.0
			10.1	14.9	19.7	23.0	28.7	38.9	44.0	46.1	54.0
	1600	Capacity Int. Cap	11.2	16.6	22.0	25.9	34.0	40.0	46.1	48.0	55.2
			10.3	15.3	20.2	23.6	29.8	40.0	46.1	48.0	55.2
	2000	Capacity Int. Cap	12.1	17.7	23.2	27.1	35.2	41.8	47.7	49.4	56.2
			11.2	16.2	21.2	24.7	30.9	41.8	47.7	49.4	56.2
80	1200	Capacity Int. Cap	8.9	14.3	19.6	23.3	30.8	37.4	41.8	43.6	51.8
			8.2	13.1	18.0	21.3	27.0	37.4	41.8	43.6	51.8
	1600	Capacity Int. Cap	9.2	14.7	20.2	24.1	31.9	38.4	43.4	45.5	53.5
			8.5	13.6	18.6	22.0	28.0	38.4	43.4	45.5	53.5
	2000	Capacity Int. Cap	10.1	15.8	21.4	25.3	33.4	39.8	45.4	47.4	54.7
			9.4	14.5	19.6	23.1	29.2	39.8	45.4	47.4	54.7

**LEGEND**


- Indicates operation not permissible
- Capacity** — Instantaneous Capacity (1000 Btuh) includes indoor fan motor heat at AHRI static conditions
- db** — Dry Bulb
- Int. Cap.** — Integrated Capacity is Instantaneous Capacity minus the effects of frost on the outdoor coil and the heat required to defrost
- RH** — Relative Humidity

# Performance data (cont)

## HEATING CAPACITIES, 5 TONS

549J06A											
RETURN AIR (°F db)	CFM (STANDARD AIR)		TEMPERATURE AIR ENTERING OUTDOOR COIL (°F db at 70% RH)								
			-10	0	10	17	30	40	47	50	60
55	1500	Capacity Int. Cap		22.0	28.5	33.3	43.5	51.4	58.0	60.1	68.6
				20.3	26.1	30.4	38.1	51.4	58.0	60.1	68.6
	2000	Capacity Int. Cap		23.9	30.5	35.5	45.7	54.1	60.4	62.3	69.9
				22.0	28.0	32.4	40.1	54.1	60.4	62.3	69.9
	2500	Capacity Int. Cap		25.0	31.7	36.9	47.1	55.2	60.7	62.3	68.8
				23.0	29.1	33.6	41.3	55.2	60.7	62.3	68.8
70	1500	Capacity Int. Cap		18.9	25.3	30.1	40.1	48.4	54.8	56.8	65.4
				17.4	23.3	27.5	35.2	48.4	54.8	56.8	65.4
	2000	Capacity Int. Cap		20.7	27.4	32.3	43.0	50.9	57.4	59.3	67.4
				19.1	25.1	29.4	37.7	50.9	57.4	59.3	67.4
	2500	Capacity Int. Cap		21.9	28.6	33.6	44.4	52.5	58.5	60.3	67.3
				20.1	26.3	30.7	38.9	52.5	58.5	60.3	67.3
80	1500	Capacity Int. Cap		10.3	16.5	23.1	27.8	37.4	46.2	52.4	63.2
				9.5	15.2	21.2	25.4	32.8	46.2	52.4	54.7
	2000	Capacity Int. Cap		12.0	18.4	25.1	30.0	40.1	48.9	55.2	65.4
				11.1	16.9	23.0	27.4	35.2	48.9	55.2	57.4
	2500	Capacity Int. Cap		13.0	19.5	26.3	31.4	41.9	50.5	56.6	65.7
				12.0	18.0	24.2	28.6	36.7	50.5	56.6	58.4


### LEGEND

-  Indicates operation not permissible
- Capacity** — Instantaneous Capacity (1000 Btuh) includes indoor fan motor heat at AHRI static conditions
- db** — Dry Bulb
- Int. Cap.** — Integrated Capacity is Instantaneous Capacity minus the effects of frost on the outdoor coil and the heat required to defrost
- RH** — Relative Humidity

## HEATING CAPACITIES, 6 TONS

549J07A												
RETURN AIR (°F db)	CFM (STANDARD AIR)		TEMPERATURE AIR ENTERING OUTDOOR COIL (°F db at 70% RH)									
			-10	0	10	17	30	40	47	50	60	
55	1800	Capacity Int. Cap		20.5	28.2	36.0	41.6	52.8	62.7	71.0	73.5	83.8
				19.0	25.9	33.0	38.0	46.3	62.7	71.0	73.5	83.8
	2400	Capacity Int. Cap		21.2	29.0	37.0	42.8	54.4	65.4	73.0	75.4	86.1
				19.6	26.7	34.0	39.1	47.7	65.4	73.0	75.4	86.1
	3000	Capacity Int. Cap		21.5	29.5	37.6	43.5	55.4	66.4	73.9	76.4	87.2
				19.9	27.1	34.5	39.7	48.5	66.4	73.9	76.4	87.2
70	1800	Capacity Int. Cap		15.8	23.6	31.6	37.3	48.5	57.7	65.5	68.5	79.7
				14.6	21.7	29.0	34.0	42.5	57.7	65.5	68.5	79.7
	2400	Capacity Int. Cap		16.4	24.6	32.8	38.7	50.2	60.1	68.9	71.7	82.3
				15.1	22.6	30.1	35.3	44.0	60.1	68.9	71.7	82.3
	3000	Capacity Int. Cap		16.8	25.1	33.5	39.5	51.3	61.6	70.5	73.0	83.6
				15.5	23.1	30.8	36.1	44.9	61.6	70.5	73.0	83.6
80	1800	Capacity Int. Cap		11.9	20.0	28.1	33.9	45.2	54.3	61.5	64.5	76.1
				11.0	18.4	25.8	30.9	39.6	54.3	61.5	64.5	76.1
	2400	Capacity Int. Cap		12.5	20.9	29.3	35.4	47.0	56.7	64.6	67.7	79.4
				11.5	19.2	26.9	32.3	41.2	56.7	64.6	67.7	79.4
	3000	Capacity Int. Cap		12.8	21.4	30.1	36.2	48.1	57.9	66.5	69.6	80.9
				11.8	19.7	27.6	33.0	42.1	57.9	66.5	69.6	80.9

### LEGEND

-  Indicates standard rating point
- Capacity** — Instantaneous Capacity (1000 Btuh) includes indoor fan motor heat at AHRI static conditions
- db** — Dry Bulb
- Int. Cap.** — Integrated Capacity is Instantaneous Capacity minus the effects of frost on the outdoor coil and the heat required to defrost
- RH** — Relative Humidity



**HEATING CAPACITIES, 6 TONS**

549J07D											
RETURN AIR (°F db)	CFM (STANDARD AIR)		TEMPERATURE AIR ENTERING OUTDOOR COIL (°F db at 70% RH)								
			-10	0	10	17	30	40	47	50	60
55	1500	Capacity Int. Cap	25.6	31.8	39.0	44.4	54.8	63.2	70.0	73.1	83.7
			23.7	29.3	35.8	40.5	48.0	63.2	70.0	73.1	83.7
	2000	Capacity Int. Cap	26.2	32.6	40.3	45.3	55.8	65.1	72.1	75.1	85.0
			24.2	30.0	37.0	41.3	48.9	65.1	72.1	75.1	85.0
	2500	Capacity Int. Cap	26.6	33.0	40.8	45.9	56.7	66.1	72.6	75.3	83.9
			24.6	30.4	37.5	41.9	49.7	66.1	72.6	75.3	83.9
70	1500	Capacity Int. Cap	22.5	28.8	35.5	41.0	51.5	59.8	66.2	69.2	79.8
			20.8	26.5	32.6	37.4	45.1	59.8	66.2	69.2	79.8
	2000	Capacity Int. Cap	23.1	29.6	36.5	42.7	52.9	61.6	68.3	71.5	81.5
			21.4	27.2	33.5	39.0	46.3	61.6	68.3	71.5	81.5
	2500	Capacity Int. Cap	23.5	30.1	37.2	43.4	53.7	62.6	69.4	72.3	81.3
			21.8	27.7	34.1	39.6	47.0	62.6	69.4	72.3	81.3
80	1500	Capacity Int. Cap	20.0	26.3	33.1	38.2	49.4	57.5	63.8	66.5	77.0
			18.5	24.2	30.4	34.8	43.3	57.5	63.8	66.5	77.0
	2000	Capacity Int. Cap	20.7	27.2	34.2	39.6	50.7	59.2	65.7	68.7	78.8
			19.1	25.0	31.4	36.1	44.4	59.2	65.7	68.7	78.8
	2500	Capacity Int. Cap	21.1	27.7	34.8	40.5	51.6	60.3	66.9	69.9	79.1
			19.5	25.5	31.9	36.9	45.2	60.3	66.9	69.9	79.1

LEGEND

- Indicates standard rating point
- Capacity** — Instantaneous Capacity (1000 Btuh) includes indoor fan motor heat at AHRI static conditions
- db** — Dry Bulb
- Int. Cap.** — Integrated Capacity is Instantaneous Capacity minus the effects of frost on the outdoor coil and the heat required to defrost
- RH** — Relative Humidity

**HEATING CAPACITIES, 7.5 TONS**

549J08D											
RETURN AIR (°F db)	CFM (STANDARD AIR)		TEMPERATURE AIR ENTERING OUTDOOR COIL (°F db at 70% RH)								
			-10	0	10	17	30	40	47	50	60
55	2250	Capacity Int. Cap	24.3	33.6	43.4	50.6	66.3	78.0	87.4	90.4	102.6
			22.4	30.9	39.8	46.2	58.1	78.0	87.4	90.4	102.6
	3000	Capacity Int. Cap	24.7	34.2	44.3	51.8	67.8	80.2	89.6	92.5	104.6
			22.8	31.5	40.7	47.3	59.4	80.2	89.6	92.5	104.6
	3750	Capacity Int. Cap	24.9	34.6	44.9	52.6	68.7	81.3	90.4	93.1	104.3
			23.1	31.9	41.2	48.0	60.2	81.3	90.4	93.1	104.3
70	2250	Capacity Int. Cap	20.3	29.6	39.3	46.5	60.8	73.8	82.7	85.9	98.3
			18.7	27.2	36.1	42.4	53.3	73.8	82.7	85.9	98.3
	3000	Capacity Int. Cap	20.8	30.4	40.5	47.9	63.4	75.9	85.4	88.5	100.6
			19.3	28.0	37.2	43.6	55.6	75.9	85.4	88.5	100.6
	3750	Capacity Int. Cap	21.2	31.0	41.2	48.7	64.8	77.2	86.8	89.8	101.4
			19.6	28.5	37.8	44.4	56.7	77.2	86.8	89.8	101.4
80	2250	Capacity Int. Cap	16.8	26.2	36.0	43.2	57.2	70.2	79.5	82.8	95.2
			15.5	24.1	33.0	39.4	50.1	70.2	79.5	82.8	95.2
	3000	Capacity Int. Cap	17.4	27.1	37.2	44.6	59.3	73.0	82.1	85.4	97.7
			16.1	24.9	34.2	40.7	52.0	73.0	82.1	85.4	97.7
	3750	Capacity Int. Cap	17.7	27.6	38.0	45.5	60.6	74.3	83.7	87.0	98.8
			16.4	25.4	34.9	41.5	53.1	74.3	83.7	87.0	98.8

LEGEND


- Indicates standard rating point
- Capacity** — Instantaneous Capacity (1000 Btuh) includes indoor fan motor heat at AHRI static conditions
- db** — Dry Bulb
- Int. Cap.** — Integrated Capacity is Instantaneous Capacity minus the effects of frost on the outdoor coil and the heat required to defrost
- RH** — Relative Humidity

# Performance data (cont)


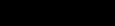
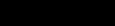
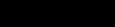
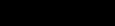
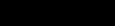
## HEATING CAPACITIES, 8.5 TONS

549J09D											
RETURN AIR (°F db)	CFM (STANDARD AIR)		TEMPERATURE AIR ENTERING OUTDOOR COIL (°F db at 70% RH)								
			-10	0	10	17	30	40	47	50	60
55	2250	Capacity Int. Cap	35.1	37.7	49.0	57.4	74.4	87.8	98.9	102.6	118.3
			32.5	34.7	45.0	52.3	65.2	87.8	98.9	102.6	118.3
	3400	Capacity Int. Cap	32.6	39.1	50.8	59.4	76.8	90.8	102.1	105.7	121.3
			30.1	36.0	46.6	54.1	67.3	90.8	102.1	105.7	121.3
	4250	Capacity Int. Cap	34.4	42.6	54.4	63.3	80.9	95.1	106.1	109.6	125.0
			31.8	39.2	50.0	57.7	70.9	95.1	106.1	109.6	125.0
70	2250	Capacity Int. Cap	35.2	33.3	44.5	52.8	69.3	83.1	93.6	97.3	112.9
			32.6	30.6	40.9	48.1	60.7	83.1	93.6	97.3	112.9
	3400	Capacity Int. Cap	35.6	34.9	46.5	55.0	72.5	86.1	97.1	100.8	116.2
			32.9	32.1	42.7	50.1	63.5	86.1	97.1	100.8	116.2
	4250	Capacity Int. Cap	38.2	38.6	50.3	59.0	76.7	90.5	101.6	105.2	120.2
			35.3	35.5	46.2	53.7	67.2	90.5	101.6	105.2	120.2
80	2250	Capacity Int. Cap	34.6	29.6	40.9	49.1	65.4	79.8	89.9	93.8	109.1
			32.0	27.2	37.5	44.8	57.3	79.8	89.9	93.8	109.1
	3400	Capacity Int. Cap	35.2	31.2	42.8	51.4	68.2	82.7	93.4	97.2	112.5
			32.5	28.7	39.3	46.8	59.8	82.7	93.4	97.2	112.5
	4250	Capacity Int. Cap	38.2	34.9	46.7	55.4	72.7	87.1	98.2	101.8	116.8
			35.3	32.1	42.9	50.5	63.7	87.1	98.2	101.8	116.8



### LEGEND

-  Indicates standard rating point
- Capacity** — Instantaneous Capacity (1000 Btuh) includes indoor fan motor heat at AHRI static conditions
- db** — Dry Bulb
- Int. Cap.** — Integrated Capacity is Instantaneous Capacity minus the effects of frost on the outdoor coil and the heat required to defrost
- RH** — Relative Humidity

## HEATING CAPACITIES, 10 TONS

549J12D											
RETURN AIR (°F db)	CFM (STANDARD AIR)		TEMPERATURE AIR ENTERING OUTDOOR COIL (°F db at 70% RH)								
			-10	0	10	17	30	40	47	50	60
55	3000	Capacity Int. Cap		50.9	62.9	72.7	91.4	106.1	117.2	121.0	136.2
			46.8	57.8	66.3	80.1	106.1	117.2	121.0	136.2	
	4000	Capacity Int. Cap		53.5	66.0	75.9	94.8	109.6	120.7	124.3	139.4
			49.2	60.6	69.2	83.0	109.6	120.7	124.3	139.4	
	5000	Capacity Int. Cap		56.0	69.1	79.1	97.5	112.3	123.0	126.3	140.9
			51.5	63.4	72.1	85.4	112.3	123.0	126.3	140.9	
70	3000	Capacity Int. Cap		45.8	57.9	66.9	86.4	101.6	112.2	116.3	131.2
			42.1	53.1	61.0	75.7	101.6	112.2	116.3	131.2	
	4000	Capacity Int. Cap		48.5	60.9	70.4	90.4	105.1	116.1	120.0	134.8
			44.6	55.9	64.2	79.3	105.1	116.1	120.0	134.8	
	5000	Capacity Int. Cap		51.1	63.7	73.6	93.5	108.0	118.9	122.5	137.0
			47.0	58.4	67.1	81.9	108.0	118.9	122.5	137.0	
80	3000	Capacity Int. Cap	30.4	41.9	54.1	63.1	82.6	98.5	108.9	113.1	127.9
			28.1	38.6	49.6	57.6	72.3	98.5	108.9	113.1	127.9
	4000	Capacity Int. Cap	32.8	44.6	57.1	66.5	86.5	102.1	112.7	116.9	131.5
			30.4	41.1	52.4	60.6	75.8	102.1	112.7	116.9	131.5
	5000	Capacity Int. Cap	35.2	47.2	59.9	69.4	89.8	105.1	115.8	119.6	134.0
			32.6	43.5	55.0	63.3	78.7	105.1	115.8	119.6	134.0

### LEGEND

-  Indicates operation not permissible
-  Indicates standard rating point
- Capacity** — Instantaneous Capacity (1000 Btuh) includes indoor fan motor heat at AHRI static conditions
- db** — Dry Bulb
- Int. Cap.** — Integrated Capacity is Instantaneous Capacity minus the effects of frost on the outdoor coil and the heat required to defrost
- RH** — Relative Humidity

**STATIC PRESSURE ADDERS (IN. WG) — FACTORY OPTIONS AND/OR ACCESSORIES**

**Economizer**

<b>3-5 TONS</b>											
<b>CFM (in. wg)</b>	<b>600</b>	<b>800</b>	<b>1000</b>	<b>1250</b>	<b>1500</b>	<b>1750</b>	<b>2000</b>	<b>2250</b>	<b>2500</b>	<b>2750</b>	<b>3000</b>
<b>Vertical Economizer</b>	0.01	0.02	0.04	0.05	0.07	0.09	0.12	0.15	0.18	0.22	0.26
<b>Horizontal Economizer</b>	0.02	0.03	0.04	0.06	0.08	0.10	0.13	0.15	0.18	0.23	0.28

<b>6-8.5 TONS</b>																
<b>CFM (in. wg)</b>	<b>2250</b>	<b>2500</b>	<b>2750</b>	<b>3000</b>	<b>3250</b>	<b>3500</b>	<b>3750</b>	<b>4000</b>	<b>4250</b>	<b>4500</b>	<b>4750</b>	<b>5000</b>	<b>5250</b>	<b>5500</b>	<b>5750</b>	<b>6000</b>
<b>Vertical Economizer</b>	0.06	0.08	0.09	0.12	0.13	0.15	0.17	0.20	0.22	0.25	0.29	0.33	0.36	0.40	0.44	0.48
<b>Horizontal Economizer</b>	0.08	0.10	0.13	0.15	0.18	0.21	0.25	0.28	0.30	0.34	0.39	0.43	0.47	0.51	0.56	0.60

<b>10 TONS</b>																
<b>CFM (in. wg)</b>	<b>2250</b>	<b>2500</b>	<b>2750</b>	<b>3000</b>	<b>3250</b>	<b>3500</b>	<b>3750</b>	<b>4000</b>	<b>4250</b>	<b>4500</b>	<b>4750</b>	<b>5000</b>	<b>5250</b>	<b>5500</b>	<b>5750</b>	<b>6000</b>
<b>Vertical Economizer</b>	0.01	0.01	0.01	0.01	0.01	0.02	0.02	0.02	0.03	0.03	0.03	0.04	0.04	0.04	0.05	0.06
<b>Horizontal Economizer</b>	0.04	0.04	0.05	0.07	0.08	0.09	0.10	0.12	0.13	0.15	0.17	0.19	0.21	0.23	0.25	0.27

**Electric Heaters**

<b>3-5 TONS</b>										
<b>CFM (in. wg)</b>	<b>600</b>	<b>900</b>	<b>1200</b>	<b>1400</b>	<b>1600</b>	<b>1800</b>	<b>2000</b>	<b>2200</b>	<b>2400</b>	<b>2600</b>
<b>1 Electric Heater Module</b>	0.03	0.05	0.07	0.09	0.09	0.10	0.11	0.11	0.12	0.13
<b>2 Electric Heater Modules</b>	0.13	0.15	0.16	0.16	0.16	0.17	0.17	0.17	0.18	0.18

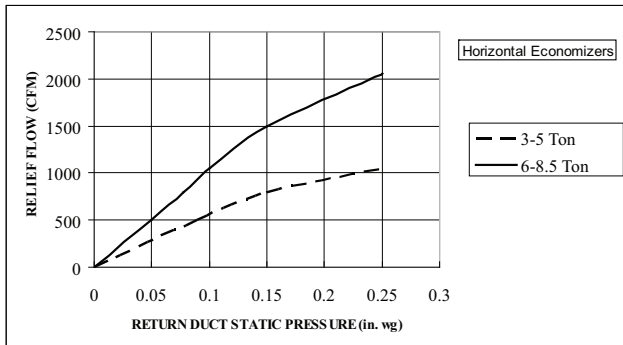
<b>6-8.5 TONS</b>																
<b>CFM (in. wg)</b>	<b>2250</b>	<b>2500</b>	<b>2750</b>	<b>3000</b>	<b>3250</b>	<b>3500</b>	<b>3750</b>	<b>4000</b>	<b>4250</b>	<b>4500</b>	<b>4750</b>	<b>5000</b>	<b>5250</b>	<b>5500</b>	<b>5750</b>	<b>6000</b>
<b>1 Electric Heater Module</b>	0.03	0.04	0.04	0.05	0.06	0.07	0.08	0.09	0.10	0.11	0.12	0.13	0.14	0.15	0.16	0.18
<b>2 Electric Heater Modules</b>	0.04	0.05	0.05	0.06	0.07	0.08	0.09	0.10	0.11	0.12	0.13	0.15	0.16	0.17	0.19	0.20

<b>10 TONS</b>																
<b>CFM (in. wg)</b>	<b>2250</b>	<b>2500</b>	<b>2750</b>	<b>3000</b>	<b>3250</b>	<b>3500</b>	<b>3750</b>	<b>4000</b>	<b>4250</b>	<b>4500</b>	<b>4750</b>	<b>5000</b>	<b>5250</b>	<b>5500</b>	<b>5750</b>	<b>6000</b>
<b>Vertical 1 Electric Heater Module</b>	0.01	0.01	0.01	0.01	0.02	0.02	0.02	0.02	0.02	0.02	0.03	0.03	0.03	0.03	0.03	0.04
<b>Vertical 2 Electric Heater Modules</b>	0.02	0.02	0.02	0.02	0.03	0.03	0.03	0.04	0.04	0.04	0.05	0.05	0.06	0.06	0.07	0.07
<b>Horizontal 1 Electric Heater Module</b>	0.02	0.02	0.03	0.03	0.03	0.04	0.04	0.05	0.05	0.05	0.06	0.06	0.07	0.07	0.08	0.08
<b>Horizontal 2 Electric Heater Modules</b>	0.02	0.02	0.02	0.03	0.03	0.03	0.04	0.04	0.04	0.05	0.05	0.05	0.06	0.06	0.07	0.07

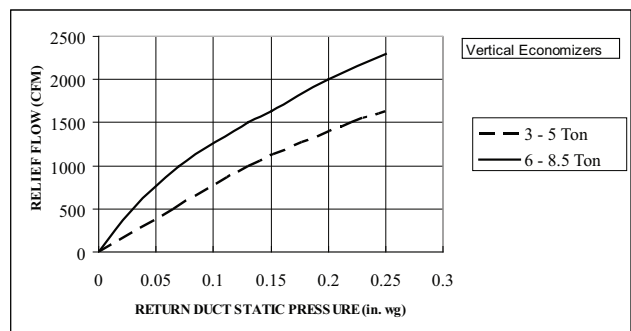
# Performance data (cont)

## ECONOMIZER, BAROMETRIC RELIEF AND PE PERFORMANCE, 3 TO 8.5 TON

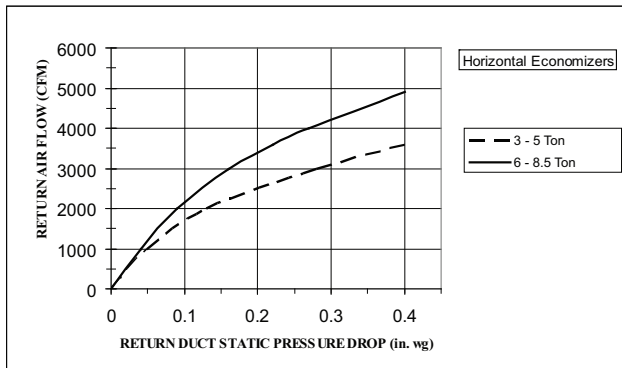
### Barometric Relief Flow Capacity



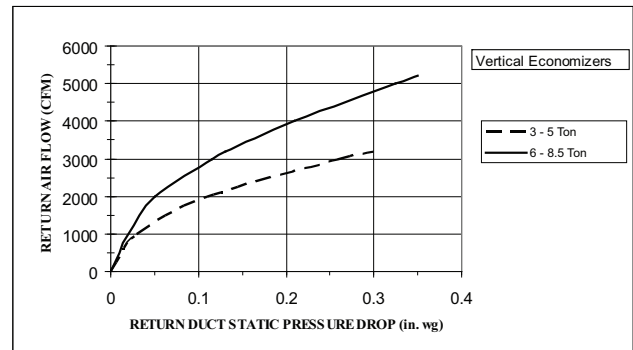
### Barometric Relief Flow Capacity



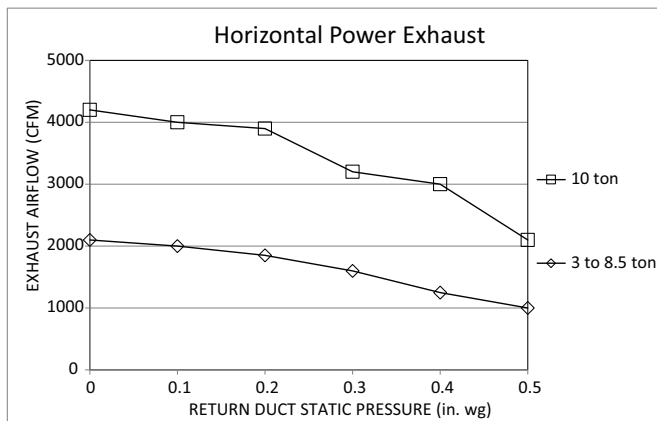
### Return Air Pressure Drop



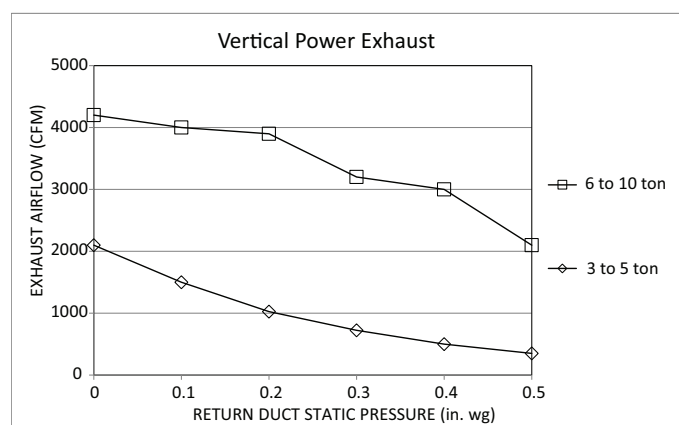
### Return Air Pressure Drop



### Horizontal Power Exhaust Performance

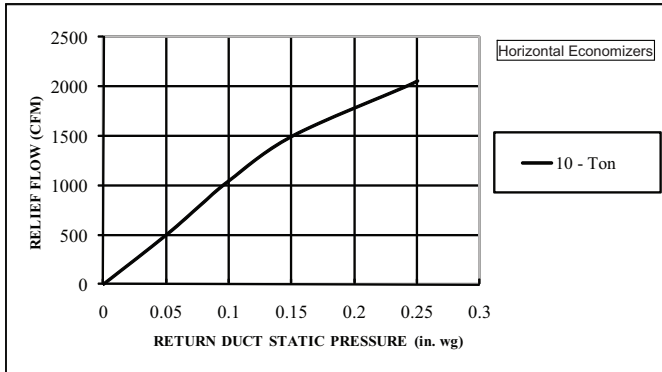


### Vertical Power Exhaust Performance

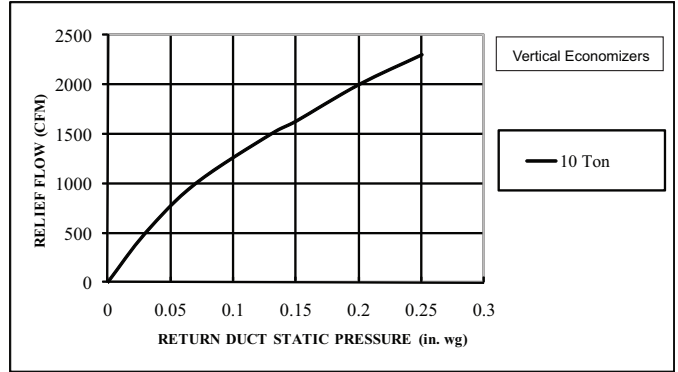


**ECONOMIZER, BAROMETRIC RELIEF AND PE PERFORMANCE, 10 TON**

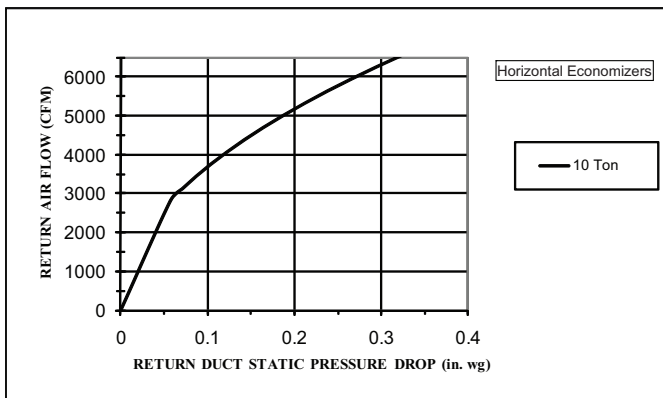
**Barometric Relief Flow Capacity**



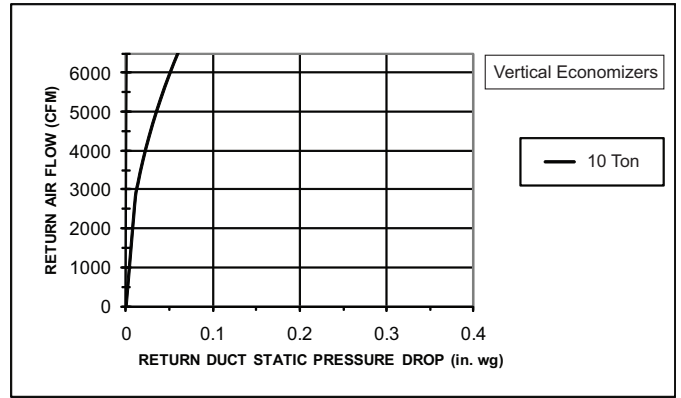
**Barometric Relief Flow Capacity**



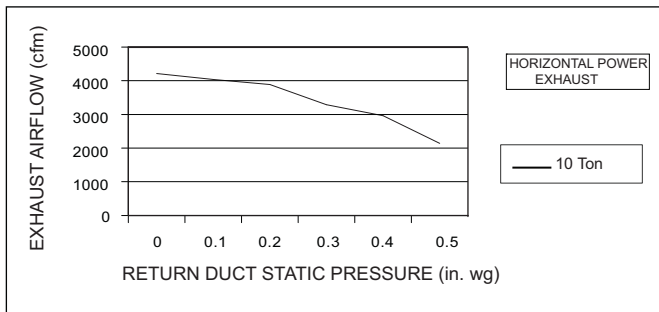
**Return Air Pressure Drop**



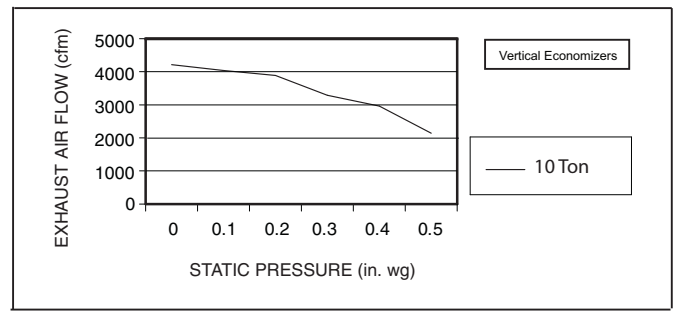
**Return Air Pressure Drop**



**Horizontal Power Exhaust Performance**



**Vertical Power Exhaust Performance**



# Fan data

## GENERAL FAN PERFORMANCE NOTES

1. Interpolation is permissible. Do not extrapolate.
2. External static pressure is the static pressure difference between the return duct and the supply duct plus the static pressure caused by any FIOPs or accessories.
3. Tabular data accounts for pressure loss due to clean filters, unit casing, and wet coils. Factory options and accessories may add static pressure losses, as shown on page 43. Selection software is available, through your salesperson, to help you select the best motor/drive combination for your application.
4. The Fan Performance tables offer motor/drive recommendations. In cases when two motor/drive combinations would work, Bryant recommends the lower horsepower option.
5. For information on the electrical properties of Bryant motors, please see the Electrical Data section of this book.
6. For more information on the performance limits of Bryant motors, see the Application Data section of this book.

### 3 TON UNIT DIRECT DRIVE

SPEED (TORQUE) TAP	HORIZONTAL			VERTICAL		
	CFM	ESP	BHP	CFM	ESP	BHP
1	900	0.57	0.25	900	0.44	0.19
	975	0.47	0.24	975	0.34	0.18
	1050	0.37	0.22	1050	0.24	0.17
	1125	0.27	0.21	1125	0.15	0.16
	1200	0.18	0.20	1200	0.07	0.16
	1275	0.09	0.20	1275	—	—
	1350	—	—	1350	—	—
	1425	—	—	1425	—	—
	1500	—	—	1500	—	—
2	900	0.73	0.30	900	0.60	0.24
	975	0.62	0.29	975	0.49	0.23
	1050	0.51	0.28	1050	0.38	0.22
	1125	0.41	0.27	1125	0.28	0.21
	1200	0.30	0.25	1200	0.18	0.20
	1275	0.19	0.24	1275	0.09	0.19
	1350	0.08	0.22	1350	—	—
	1425	—	—	1425	—	—
	1500	—	—	1500	—	—
3	900	1.04	0.41	900	0.93	0.36
	975	0.93	0.40	975	0.81	0.35
	1050	0.82	0.39	1050	0.70	0.34
	1125	0.70	0.38	1125	0.58	0.33
	1200	0.58	0.36	1200	0.47	0.31
	1275	0.46	0.35	1275	0.36	0.30
	1350	0.34	0.33	1350	0.25	0.29
	1425	0.23	0.31	1425	0.14	0.27
	1500	0.12	0.30	1500	—	—
4	900	1.26	0.49	900	1.15	0.44
	975	1.18	0.50	975	1.07	0.45
	1050	1.09	0.50	1050	0.97	0.46
	1125	0.99	0.50	1125	0.86	0.46
	1200	0.88	0.49	1200	0.74	0.43
	1275	0.76	0.47	1275	0.61	0.41
	1350	0.63	0.46	1350	0.48	0.40
	1425	0.50	0.44	1425	0.35	0.39
	1500	0.37	0.42	1500	0.23	0.37
5	900	1.35	0.52	900	1.24	0.51
	975	1.30	0.54	975	1.19	0.52
	1050	1.26	0.57	1050	1.24	0.54
	1125	1.21	0.59	1125	1.24	0.57
	1200	1.16	0.62	1200	1.03	0.59
	1275	1.12	0.64	1275	0.98	0.61
	1350	1.07	0.67	1350	0.93	0.64
	1425	1.02	0.70	1425	0.88	0.67
	1500	0.97	0.73	1500	0.82	0.69

**4 TON UNIT DIRECT DRIVE**

SPEED (TORQUE) TAP	HORIZONTAL			VERTICAL		
	CFM	ESP	BHP	CFM	ESP	BHP
1	1200	0.93	0.48	1200	0.87	0.43
	1300	0.80	0.46	1300	0.73	0.41
	1400	0.66	0.44	1400	0.59	0.39
	1500	0.51	0.41	1500	0.43	0.37
	1600	0.36	0.39	1600	0.27	0.34
	1700	0.22	0.36	1700	0.12	0.33
	1800	0.08	0.33	1800	—	—
	1900	—	—	1900	—	—
	2000	—	—	2000	—	—
2	1200	1.04	0.53	1200	0.96	0.48
	1300	0.91	0.51	1300	0.84	0.46
	1400	0.76	0.48	1400	0.69	0.44
	1500	0.61	0.46	1500	0.53	0.41
	1600	0.45	0.43	1600	0.37	0.39
	1700	0.30	0.40	1700	0.21	0.36
	1800	0.16	0.38	1800	0.06	0.34
	1900	0.04	0.35	1900	—	—
	2000	—	—	2000	—	—
3	1200	1.18	0.58	1200	1.13	0.53
	1300	1.09	0.59	1300	1.06	0.53
	1400	0.98	0.60	1400	0.98	0.54
	1500	0.86	0.60	1500	0.88	0.56
	1600	0.72	0.57	1600	0.76	0.54
	1700	0.57	0.54	1700	0.62	0.52
	1800	0.42	0.51	1800	0.47	0.50
	1900	0.28	0.48	1900	0.31	0.47
	2000	0.15	0.45	2000	0.15	0.45
4	1200	1.24	0.60	1200	1.16	0.57
	1300	1.18	0.63	1300	1.12	0.59
	1400	1.12	0.66	1400	1.07	0.62
	1500	1.04	0.71	1500	1.00	0.67
	1600	0.95	0.70	1600	0.91	0.66
	1700	0.85	0.71	1700	0.80	0.67
	1800	0.73	0.71	1800	0.67	0.67
	1900	0.60	0.69	1900	0.52	0.63
	2000	0.45	0.65	2000	0.35	0.61
5	1200	1.25	0.61	1200	1.16	0.59
	1300	1.20	0.65	1300	1.11	0.63
	1400	1.12	0.68	1400	1.01	0.67
	1500	1.04	0.68	1500	0.91	0.67
	1600	1.05	0.76	1600	0.96	0.75
	1700	1.01	0.76	1700	0.91	0.75
	1800	0.96	0.84	1800	0.86	0.83
	1900	0.91	0.89	1900	0.80	0.87
	2000	0.87	0.93	2000	0.74	0.91

# Fan data (cont)

## 5 TON UNIT DIRECT DRIVE

SPEED (TORQUE) TAP	HORIZONTAL			VERTICAL		
	CFM	ESP	BHP	CFM	ESP	BHP
1	1500	0.37	0.35	1500	0.27	0.32
	1625	0.22	0.33	1625	0.13	0.30
	1750	0.08	0.31	1750	—	—
	1875	—	—	1875	—	—
	2000	—	—	2000	—	—
	2125	—	—	2125	—	—
	2250	—	—	2250	—	—
	2375	—	—	2375	—	—
2	2500	—	—	2500	—	—
	1500	0.54	0.44	1500	0.42	0.40
	1625	0.37	0.41	1625	0.25	0.37
	1750	0.20	0.38	1750	0.08	0.34
	1875	0.04	0.35	1875	—	—
	2000	—	—	2000	—	—
	2125	—	—	2125	—	—
	2250	—	—	2250	—	—
3	2375	—	—	2375	—	—
	2500	—	—	2500	—	—
	1500	1.28	0.83	1500	1.11	0.79
	1625	1.10	0.81	1625	0.91	0.76
	1750	0.90	0.78	1750	0.70	0.74
	1875	0.68	0.74	1875	0.50	0.70
	2000	0.47	0.70	2000	0.30	0.67
	2125	0.27	0.66	2125	0.12	0.63
4	2250	0.10	0.62	2250	—	—
	2375	—	—	2375	—	—
	2500	—	—	2500	—	—
	1500	1.46	0.94	1500	1.29	0.90
	1625	1.32	0.92	1625	1.13	0.88
	1750	1.16	0.96	1750	0.95	0.91
	1875	0.96	0.95	1875	0.74	0.88
	2000	0.76	0.91	2000	0.52	0.84
5	2125	0.54	0.86	2125	0.30	0.80
	2250	0.33	0.82	2250	0.11	0.77
	2375	0.14	0.78	2375	—	—
	2500	0.00	0.72	2500	—	—
	1500	1.52	0.97	1500	1.36	0.94
	1625	1.42	1.01	1625	1.24	0.99
	1750	1.16	1.05	1750	0.95	1.02
	1875	0.96	1.09	1875	0.74	1.05
5	2000	1.00	1.09	2000	0.74	1.03
	2125	0.82	1.06	2125	0.53	0.99
	2250	0.62	1.02	2250	0.31	0.94
	2375	0.40	0.98	2375	0.08	0.90
	2500	0.16	0.93	2500	-0.14	0.86



549J04A — 3 TON HORIZONTAL SUPPLY

CFM	Available External Static Pressure (in. wg)																			
	0.2		0.4		0.6		0.8		1.0		1.2		1.4		1.6		1.8		2.0	
	RPM	BHP	RPM	BHP	RPM	BHP	RPM	BHP	RPM	BHP	RPM	BHP	RPM	BHP	RPM	BHP	RPM	BHP	RPM	BHP
900	574	0.13	707	0.23	817	0.34	913	0.47	999	0.61	1078	0.77	1151	0.93	1220	1.11	1284	1.30	1346	1.49
975	597	0.15	727	0.25	835	0.37	929	0.50	1015	0.64	1093	0.80	1165	0.97	1233	1.15	1297	1.33	1358	1.53
1050	621	0.18	747	0.28	853	0.40	946	0.53	1030	0.68	1108	0.84	1180	1.01	1247	1.19	1311	1.38	1371	1.58
1125	646	0.20	768	0.31	872	0.43	964	0.57	1047	0.72	1123	0.88	1195	1.05	1261	1.23	1325	1.42	1385	1.62
1200	671	0.23	790	0.34	892	0.47	982	0.61	1064	0.76	1140	0.92	1210	1.10	1276	1.28	1339	1.47	1399	1.68
1275	696	0.26	812	0.38	912	0.51	1001	0.65	1082	0.81	1157	0.97	1226	1.15	1292	1.33	1354	1.53	1414	1.73
1350	723	0.30	835	0.42	933	0.55	1020	0.70	1100	0.86	1174	1.02	1243	1.20	1308	1.39	1370	1.59	1429	1.80
1425	749	0.34	859	0.46	955	0.60	1040	0.75	1119	0.91	1192	1.08	1260	1.26	1325	1.45	1386	1.65	1444	1.86
1500	776	0.38	883	0.51	977	0.65	1061	0.80	1138	0.97	1210	1.14	1278	1.33	1342	1.52	1403	1.72	1461	1.93

LEGEND

- Med Static Motor and Drive - 819-1251 RPM, Max BHP 1.5 (motor is new 1.7 HP)
- High Static Motor and Drive - 1035-1466 RPM, Max BHP 2.0 (motor is 2.4 HP)

549J04A — 3 TON VERTICAL SUPPLY

CFM	Available External Static Pressure (in. wg)																			
	0.2		0.4		0.6		0.8		1.0		1.2		1.4		1.6		1.8		2.0	
	RPM	BHP	RPM	BHP	RPM	BHP	RPM	BHP	RPM	BHP	RPM	BHP	RPM	BHP	RPM	BHP	RPM	BHP	RPM	BHP
900	594	0.15	740	0.25	867	0.37	981	0.52	1084	0.68	1180	0.86	1269	1.05	1354	1.25	1434	1.47	1511	1.70
975	618	0.17	758	0.28	881	0.40	991	0.55	1092	0.71	1186	0.89	1275	1.08	1358	1.29	1437	1.51	1513	1.74
1050	642	0.19	777	0.30	896	0.43	1003	0.58	1102	0.75	1194	0.92	1281	1.12	1363	1.32	1441	1.54	1516	1.78
1125	668	0.22	797	0.34	912	0.47	1017	0.62	1113	0.79	1204	0.97	1289	1.16	1370	1.37	1447	1.59	1520	1.82
1200	695	0.25	818	0.37	930	0.51	1032	0.66	1126	0.83	1215	1.01	1298	1.21	1378	1.42	1454	1.64	1526	1.87
1275	722	0.29	841	0.41	949	0.55	1048	0.71	1140	0.88	1227	1.06	1309	1.26	1387	1.47	1462	1.69	1533	1.92
1350	750	0.33	864	0.46	968	0.60	1065	0.76	1155	0.93	1240	1.12	1321	1.32	1397	1.53	1471	1.75	1541	1.99
1425	778	0.37	888	0.50	989	0.65	1083	0.81	1171	0.99	1254	1.18	1333	1.38	1409	1.59	1481	1.82	—	—
1500	807	0.42	913	0.56	1011	0.71	1103	0.87	1188	1.05	1270	1.24	1347	1.45	1421	1.66	1492	1.89	—	—

LEGEND

- Med Static Motor and Drive - 819-1251 RPM, Max BHP 1.5 (motor is new 1.7 HP)
- High Static Motor and Drive - 1035-1466 RPM, Max BHP 2.0 (motor is 2.4 HP)
- BOLD** — Field-supplied drive recommended using field supplied fan pulley (part no. KR11AZ606) motor pulley (part no. KR11HY191), and belt (KR29AF043)

549J05A — 4 TON HORIZONTAL SUPPLY

CFM	Available External Static Pressure (in. wg)																			
	0.2		0.4		0.6		0.8		1.0		1.2		1.4		1.6		1.8		2.0	
	RPM	BHP	RPM	BHP	RPM	BHP	RPM	BHP	RPM	BHP	RPM	BHP	RPM	BHP	RPM	BHP	RPM	BHP	RPM	BHP
1200	630	0.20	755	0.31	859	0.43	949	0.56	1030	0.70	1104	0.84	1173	0.99	1237	1.15	1298	1.32	1356	1.49
1300	659	0.24	781	0.36	883	0.48	972	0.61	1052	0.76	1125	0.91	1194	1.06	1258	1.23	1318	1.40	1375	1.58
1400	689	0.28	808	0.40	908	0.53	995	0.67	1075	0.82	1147	0.98	1215	1.14	1278	1.31	1338	1.48	1395	1.67
1500	720	0.33	836	0.46	933	0.59	1020	0.74	1098	0.89	1170	1.05	1237	1.22	1299	1.39	1359	1.57	1416	1.76
1600	752	0.38	864	0.52	960	0.66	1044	0.81	1121	0.97	1193	1.13	1259	1.31	1321	1.49	1380	1.67	1437	1.86
1700	784	0.44	893	0.58	986	0.73	1070	0.89	1146	1.05	1216	1.22	1282	1.40	1344	1.59	1402	1.78	1458	1.97
1800	816	0.50	922	0.65	1014	0.81	1096	0.97	1171	1.14	1240	1.32	1305	1.50	1366	1.69	1424	1.89	1480	2.09
1900	849	0.58	952	0.73	1042	0.90	1122	1.07	1196	1.24	1265	1.43	1329	1.61	1390	1.81	1447	2.01	1502	2.22
2000	882	0.66	982	0.82	1070	0.99	1149	1.17	1222	1.35	1290	1.54	1353	1.73	1413	1.93	1470	2.14	1525	2.35

LEGEND

- Med Static Motor and Drive - 920-1303 RPM, Max BHP 1.5 (motor is new 1.7 HP)
- High Static Motor and Drive - 1035-1466 RPM, Max BHP 2.0 (motor is 2.4 HP)
- Italics** — Field-supplied motor and drive required recommend using field supplied motor (HD58FE651-230v and 460v, HD58FE576-575 volt), fan pulley (part no. KR11AZ606), motor pulley (part no. KR11HY213), and belt (KR29AF043)

# Fan data (cont)

## 549J05A — 4 TON VERTICAL SUPPLY

CFM	Available External Static Pressure (in. wg)																			
	0.2		0.4		0.6		0.8		1.0		1.2		1.4		1.6		1.8		2.0	
	RPM	BHP	RPM	BHP	RPM	BHP	RPM	BHP	RPM	BHP	RPM	BHP	RPM	BHP	RPM	BHP	RPM	BHP	RPM	BHP
900	682	0.25	800	0.36	897	0.48	982	0.61	1058	0.75	1128	0.89	1192	1.03	1252	1.18	1309	1.34	1363	1.50
975	717	0.29	832	0.42	928	0.55	1011	0.68	1086	0.82	1155	0.97	1219	1.12	1279	1.28	1336	1.44	1389	1.61
1050	753	0.34	865	0.48	958	0.61	1041	0.76	1115	0.91	1183	1.06	1247	1.22	1306	1.38	1362	1.55	1416	1.72
1125	789	0.40	898	0.54	990	0.69	1071	0.84	1144	1.00	1212	1.16	1275	1.32	1334	1.49	1389	1.67	1443	1.85
1200	826	0.47	932	0.62	1022	0.77	1102	0.93	1174	1.09	1241	1.26	1303	1.43	1362	1.61	1417	1.79	1470	1.98
1275	863	0.54	966	0.70	1055	0.86	1133	1.03	1205	1.20	1271	1.37	1332	1.55	1390	1.74	1445	1.93	1498	2.12
1350	901	0.62	1001	0.79	1088	0.96	1165	1.13	1235	1.31	1301	1.50	1362	1.68	1419	1.87	1474	2.07	1526	2.27
1425	939	0.71	1037	0.89	1121	1.07	1197	1.25	1267	1.44	1331	1.63	1392	1.82	1449	2.02	1503	2.22	—	—
1500	978	0.81	1073	0.99	1156	1.18	1230	1.37	1299	1.57	1362	1.77	1422	1.97	1478	2.18	1532	2.38	—	—

### LEGEND

- Med Static Motor and Drive - 920-1303 RPM, Max BHP 1.5 (motor is new 1.7 HP)
- High Static Motor and Drive - 1035-1466 RPM, Max BHP 2.0 (motor is 2.4 HP)
- Italics* — Field-supplied motor and drive required recommend using field supplied motor (HD58FE651-230v and 460v, HD58FE576-575 volt), fan pulley (part no. KR11AZ606), motor pulley (part no. KR11HY213), and belt (KR29AF043)

## 549J06A — 5 TON HORIZONTAL SUPPLY

CFM	Available External Static Pressure (in. wg)																			
	0.2		0.4		0.6		0.8		1.0		1.2		1.4		1.6		1.8		2.0	
	RPM	BHP	RPM	BHP	RPM	BHP	RPM	BHP	RPM	BHP	RPM	BHP	RPM	BHP	RPM	BHP	RPM	BHP	RPM	BHP
1500	725	0.33	840	0.46	937	0.60	1023	0.75	1101	0.90	1172	1.06	1239	1.23	1302	1.40	1361	1.58	1418	1.77
1625	765	0.40	876	0.54	970	0.68	1054	0.84	1131	1.00	1201	1.16	1267	1.34	1329	1.52	1388	1.71	1444	1.90
1750	806	0.48	912	0.63	1004	0.78	1087	0.94	1162	1.11	1231	1.28	1296	1.46	1358	1.65	1416	1.84	1472	2.04
1875	847	0.57	950	0.72	1039	0.88	1120	1.05	1194	1.23	1262	1.41	1326	1.60	1387	1.79	1445	1.99	1499	2.20
2000	889	0.66	988	0.83	1075	1.00	1154	1.18	1226	1.36	1294	1.55	1357	1.74	1417	1.95	1474	2.15	1528	2.36
2125	931	0.78	1027	0.95	1112	1.13	1189	1.31	1260	1.50	1326	1.70	1388	1.90	1447	2.11	1504	2.33	—	—
2250	974	0.90	1067	1.08	1149	1.27	1224	1.46	1294	1.66	1359	1.87	1420	2.08	1479	2.29	1534	2.51	—	—
2375	1018	1.03	1107	1.23	1187	1.43	1261	1.63	1329	1.84	1393	2.05	1453	2.27	1511	2.49	—	—	—	—
2500	1061	1.19	1148	1.39	1226	1.59	1297	1.81	1364	2.02	1427	2.24	1487	2.47	1543	2.70	—	—	—	—

### LEGEND

- Med Static - 1066-1380 RPM, Max BHP 2.0 (motor is new 2.4 HP)
- High Static - 1208-1550 RPM, Max BHP 2.9 (motor is 2.9 HP)

## 549J06A — 5 TON VERTICAL SUPPLY

CFM	Available External Static Pressure (in. wg)																			
	0.2		0.4		0.6		0.8		1.0		1.2		1.4		1.6		1.8		2.0	
	RPM	BHP	RPM	BHP	RPM	BHP	RPM	BHP	RPM	BHP	RPM	BHP	RPM	BHP	RPM	BHP	RPM	BHP	RPM	BHP
1500	794	0.41	902	0.55	993	0.69	1074	0.85	1147	1.00	1214	1.16	1277	1.33	1336	1.50	1392	1.67	1445	1.85
1625	840	0.49	945	0.64	1034	0.80	1113	0.96	1185	1.13	1251	1.30	1313	1.47	1371	1.65	1427	1.83	1479	2.02
1750	888	0.59	988	0.75	1075	0.92	1153	1.09	1223	1.26	1289	1.44	1350	1.63	1407	1.81	1462	2.01	1514	2.20
1875	936	0.70	1033	0.87	1117	1.05	1193	1.23	1263	1.41	1327	1.60	1387	1.80	1444	1.99	1498	2.19	1550	2.40
2000	984	0.82	1078	1.00	1160	1.19	1235	1.39	1303	1.58	1366	1.78	1426	1.98	1482	2.19	1535	2.40	—	—
2125	1033	0.96	1124	1.15	1204	1.35	1277	1.56	1343	1.76	1406	1.97	1464	2.18	1520	2.40	—	—	—	—
2250	1083	1.11	1170	1.32	1248	1.53	1319	1.74	1385	1.96	1446	2.18	1504	2.40	—	—	—	—	—	—
2375	1133	1.28	1217	1.50	1293	1.72	1363	1.95	1427	2.17	1487	2.40	1544	2.63	—	—	—	—	—	—
2500	1183	1.47	1265	1.70	1339	1.93	1406	2.17	1470	2.41	1529	2.64	—	—	—	—	—	—	—	—

### LEGEND

- Med Static - 1066-1380 RPM, Max BHP 2.0 (motor is new 2.4 HP)
- High Static - 1208-1550 RPM, Max BHP 2.9 (motor is 2.9 HP)

**549J07A/D — 6 TON HORIZONTAL SUPPLY**

CFM	Available External Static Pressure (in. wg)																			
	0.2		0.4		0.6		0.8		1.0		1.2		1.4		1.6		1.8		2.0	
	RPM	BHP	RPM	BHP	RPM	BHP	RPM	BHP	RPM	BHP	RPM	BHP	RPM	BHP	RPM	BHP	RPM	BHP	RPM	BHP
1800	415	0.28	510	0.46	588	0.65	655	0.85	715	1.08	770	1.31	821	1.56	868	1.82	913	2.09	955	2.36
1950	431	0.32	525	0.51	601	0.71	668	0.93	727	1.16	782	1.40	832	1.66	879	1.92	924	2.20	966	2.49
2100	448	0.38	540	0.57	615	0.78	681	1.01	740	1.25	794	1.50	844	1.76	891	2.03	935	2.32	977	2.61
2250	465	0.43	555	0.64	629	0.86	694	1.10	753	1.34	806	1.60	856	1.87	903	2.15	947	2.45	988	2.75
2400	483	0.49	571	0.71	644	0.94	708	1.19	766	1.45	819	1.71	868	1.99	915	2.28	958	2.58	1000	2.89
2550	501	0.56	587	0.79	659	1.04	722	1.29	779	1.56	832	1.83	881	2.12	927	2.42	971	2.73	1012	3.05
2700	519	0.64	603	0.88	674	1.14	737	1.40	793	1.68	845	1.96	894	2.26	940	2.57	983	2.88	1024	3.21
2850	538	0.72	620	0.98	689	1.24	751	1.52	807	1.80	859	2.10	907	2.41	953	2.72	995	3.05	1036	3.38
3000	557	0.82	637	1.08	705	1.36	766	1.64	822	1.94	873	2.24	921	2.56	966	2.89	1008	3.22	1049	3.56

**LEGEND**

- Std Static - 489-747 RPM, Max BHP 1.2 (motor is 1.7 HP)
- Med Static - 733-949 RPM, Max BHP 2.9 (motor is 2.9 HP)
- High Static - 909-1102 RPM, Max BHP 4.0 (motor is 4.9 HP)

**549J07A/D — 6 TON VERTICAL SUPPLY**

CFM	Available External Static Pressure (in. wg)																			
	0.2		0.4		0.6		0.8		1.0		1.2		1.4		1.6		1.8		2.0	
	RPM	BHP	RPM	BHP	RPM	BHP	RPM	BHP	RPM	BHP	RPM	BHP	RPM	BHP	RPM	BHP	RPM	BHP	RPM	BHP
1800	446	0.33	534	0.50	609	0.70	676	0.91	736	1.14	791	1.39	843	1.65	892	1.93	938	2.22	981	2.53
1950	467	0.39	552	0.57	625	0.77	690	0.99	750	1.23	804	1.49	855	1.76	903	2.04	949	2.34	992	2.65
2100	489	0.45	571	0.64	642	0.86	706	1.08	764	1.33	818	1.59	868	1.87	915	2.16	961	2.46	1003	2.78
2250	511	0.53	591	0.73	660	0.95	722	1.19	779	1.44	832	1.71	882	1.99	928	2.29	973	2.59	1015	2.92
2400	534	0.61	611	0.82	678	1.05	739	1.30	795	1.56	847	1.83	896	2.12	942	2.43	986	2.74	1028	3.07
2550	558	0.71	631	0.93	697	1.17	756	1.42	811	1.69	862	1.97	910	2.27	956	2.58	999	2.90	1041	3.23
2700	581	0.81	652	1.04	716	1.29	774	1.55	828	1.83	878	2.12	926	2.42	971	2.74	1013	3.07	1055	3.41
2850	605	0.93	674	1.17	736	1.43	792	1.70	845	1.98	895	2.28	941	2.59	986	2.92	1028	3.25	1069	3.60
3000	630	1.06	696	1.31	756	1.58	811	1.86	863	2.15	912	2.46	958	2.78	1001	3.11	1043	3.45	1083	3.80

**LEGEND**

- Std Static - 489-747 RPM, Max BHP 1.2 (motor is 1.7 HP)
- Med Static - 733-949 RPM, Max BHP 2.9 (motor is 2.9 HP)
- High Static - 909-1102 RPM, Max BHP 4.0 (motor is 4.9 HP)

**549J08D — 7.5 TON HORIZONTAL SUPPLY**

CFM	Available External Static Pressure (in. wg)																			
	0.2		0.4		0.6		0.8		1.0		1.2		1.4		1.6		1.8		2.0	
	RPM	BHP	RPM	BHP	RPM	BHP	RPM	BHP	RPM	BHP	RPM	BHP	RPM	BHP	RPM	BHP	RPM	BHP	RPM	BHP
2250	433	0.29	518	0.41	596	0.54	667	0.67	733	0.81	795	0.96	854	1.11	910	1.27	963	1.43	1014	1.60
2438	454	0.35	535	0.48	609	0.61	677	0.75	741	0.90	802	1.05	859	1.21	913	1.38	966	1.55	1016	1.72
2625	477	0.42	553	0.55	624	0.69	689	0.84	751	1.00	810	1.16	865	1.32	919	1.49	970	1.67	1019	1.85
2813	500	0.49	572	0.64	640	0.78	703	0.94	763	1.10	819	1.27	874	1.44	925	1.62	975	1.80	1023	1.99
3000	523	0.58	592	0.73	657	0.88	718	1.05	775	1.22	830	1.39	883	1.57	934	1.76	982	1.95	1029	2.14
3188	547	0.68	613	0.83	675	1.00	733	1.17	789	1.34	843	1.53	894	1.71	943	1.90	990	2.10	1036	2.30
3375	571	0.78	634	0.95	694	1.12	750	1.30	804	1.48	856	1.67	905	1.86	953	2.06	1000	2.27	1045	2.48
3563	596	0.90	656	1.07	713	1.25	768	1.44	820	1.63	870	1.83	918	2.03	965	2.23	1010	2.44	1054	2.66
3750	621	1.03	679	1.21	734	1.40	786	1.59	837	1.79	885	1.99	932	2.20	978	2.42	1022	2.64	1065	2.86

**LEGEND**

- Std Static - 518-733 RPM, Max BHP 1.2 (motor is 1.7 HP)
- Med Static - 690-936 RPM, Max BHP 1.7 (motor is 2.4 HP)
- High Static - 838-1084 RPM, Max BHP 2.8 (motor is 3.7 HP)

# Fan data (cont)

## 549J08D — 7.5 TON VERTICAL SUPPLY

CFM	Available External Static Pressure (in. wg)																			
	0.2		0.4		0.6		0.8		1.0		1.2		1.4		1.6		1.8		2.0	
	RPM	BHP	RPM	BHP	RPM	BHP	RPM	BHP	RPM	BHP	RPM	BHP	RPM	BHP	RPM	BHP	RPM	BHP	RPM	BHP
2250	457	0.32	536	0.44	604	0.55	664	0.67	719	0.79	770	0.91	817	1.03	861	1.15	903	1.28	943	1.40
2438	481	0.39	557	0.51	623	0.64	682	0.77	735	0.89	785	1.02	832	1.15	876	1.28	917	1.41	957	1.55
2625	505	0.47	578	0.60	642	0.73	700	0.87	753	1.00	802	1.14	847	1.28	891	1.42	932	1.56	971	1.70
2813	530	0.55	601	0.70	663	0.84	719	0.98	771	1.13	819	1.27	864	1.42	907	1.57	947	1.72	986	1.87
3000	556	0.65	623	0.80	684	0.95	738	1.11	789	1.26	836	1.42	881	1.57	923	1.73	963	1.89	1001	2.05
3188	582	0.76	647	0.92	705	1.08	759	1.25	808	1.41	855	1.57	898	1.74	940	1.90	979	2.07	1017	2.24
3375	608	0.88	671	1.05	727	1.22	779	1.40	828	1.57	873	1.74	916	1.91	957	2.09	996	2.26	1034	2.44
3563	634	1.01	695	1.19	750	1.38	801	1.56	848	1.74	893	1.92	935	2.11	975	2.29	1014	2.47	1051	2.66
3750	661	1.16	719	1.35	773	1.54	822	1.73	869	1.93	912	2.12	954	2.31	994	2.50	1031	2.70	1068	2.89

### LEGEND

- Std Static - 518-733 RPM, Max BHP 1.2 (motor is 1.7 HP)
- Med Static - 690-936 RPM, Max BHP 1.7 (motor is 2.4 HP)
- High Static - 838-1084 RPM, Max BHP 2.8 (motor is 3.7 HP)

## 549J09D — 8.5 TON HORIZONTAL SUPPLY

CFM	Available External Static Pressure (in. wg)																			
	0.2		0.4		0.6		0.8		1.0		1.2		1.4		1.6		1.8		2.0	
	RPM	BHP	RPM	BHP	RPM	BHP	RPM	BHP	RPM	BHP	RPM	BHP	RPM	BHP	RPM	BHP	RPM	BHP	RPM	BHP
2550	468	0.39	546	0.52	618	0.66	684	0.80	747	0.96	806	1.11	863	1.28	916	1.45	968	1.62	1018	1.80
2763	493	0.47	567	0.61	635	0.76	699	0.91	760	1.07	817	1.24	871	1.41	924	1.59	974	1.77	1022	1.95
2975	520	0.57	589	0.72	654	0.87	716	1.03	774	1.20	829	1.37	882	1.55	932	1.74	981	1.93	1028	2.12
3188	547	0.68	613	0.83	675	1.00	733	1.17	789	1.34	843	1.53	894	1.71	943	1.90	990	2.10	1036	2.30
3400	575	0.80	637	0.96	696	1.14	752	1.31	806	1.50	858	1.69	907	1.88	955	2.09	1001	2.29	1046	2.50
3613	603	0.94	662	1.11	719	1.29	773	1.48	824	1.67	874	1.87	922	2.07	968	2.28	1013	2.49	1057	2.71
3825	631	1.09	688	1.27	742	1.46	794	1.66	843	1.86	891	2.07	938	2.28	983	2.49	1027	2.71	—	—
4038	660	1.26	714	1.45	766	1.65	816	1.85	864	2.06	910	2.28	955	2.50	999	2.72	—	—	—	—
4250	689	1.45	741	1.65	790	1.86	838	2.07	885	2.29	930	2.51	973	2.74	—	—	—	—	—	—

### LEGEND

- Std static - 440-609 RPM, Max BHP 1.7 (motor is 2.4 HP)
- Med static - 591-838 RPM, Max BHP 2.9 (motor is 2.9 HP)
- High static - 838-1084 RPM, Max BHP 2.8 (motor is 3.7 HP)

## 549J09D — 8.5 TON VERTICAL SUPPLY

CFM	Available External Static Pressure (in. wg)																			
	0.2		0.4		0.6		0.8		1.0		1.2		1.4		1.6		1.8		2.0	
	RPM	BHP	RPM	BHP	RPM	BHP	RPM	BHP	RPM	BHP	RPM	BHP	RPM	BHP	RPM	BHP	RPM	BHP	RPM	BHP
2550	495	0.43	570	0.56	634	0.70	693	0.83	746	0.96	795	1.09	841	1.23	885	1.36	926	1.50	965	1.64
2763	524	0.53	595	0.67	657	0.81	714	0.95	766	1.09	814	1.24	859	1.38	902	1.53	943	1.68	982	1.82
2975	552	0.63	620	0.79	681	0.94	736	1.09	787	1.24	834	1.40	878	1.55	921	1.71	961	1.86	999	2.02
3188	582	0.76	647	0.92	705	1.08	759	1.25	808	1.41	855	1.57	898	1.74	940	1.90	979	2.07	1017	2.24
3400	611	0.89	674	1.07	730	1.24	782	1.42	831	1.59	876	1.76	919	1.94	960	2.12	998	2.29	1036	2.47
3613	641	1.05	701	1.23	756	1.42	806	1.60	854	1.79	898	1.97	940	2.16	980	2.34	1018	2.53	1055	2.72
3825	672	1.22	729	1.42	782	1.61	831	1.81	877	2.00	921	2.20	962	2.40	1001	2.59	1039	2.79	—	—
4038	702	1.41	758	1.62	809	1.83	857	2.03	901	2.24	944	2.45	984	2.65	—	—	—	—	—	—
4250	733	1.62	787	1.84	836	2.06	883	2.28	926	2.49	968	2.71	1007	2.93	—	—	—	—	—	—

### LEGEND

- Std static - 440-609 RPM, Max BHP 1.7 (motor is 2.4 HP)
- Med static - 591-838 RPM, Max BHP 2.9 (motor is 2.9 HP)
- High static - 838-1084 RPM, Max BHP 2.8 (motor is 3.7 HP)

### 549J12D — 10 TON HORIZONTAL SUPPLY

CFM	Available External Static Pressure (in. wg)																			
	0.2		0.4		0.6		0.8		1.0		1.2		1.4		1.6		1.8		2.0	
	RPM	BHP	RPM	BHP	RPM	BHP	RPM	BHP	RPM	BHP	RPM	BHP	RPM	BHP	RPM	BHP	RPM	BHP	RPM	BHP
3000	335	0.32	421	0.51	500	0.74	572	1.00	637	1.29	697	1.59	751	1.91	801	2.24	847	2.59	891	2.94
3250	350	0.38	430	0.58	505	0.81	575	1.08	640	1.37	699	1.68	753	2.01	803	2.35	850	2.71	895	3.08
3500	365	0.45	441	0.65	512	0.89	579	1.16	642	1.46	701	1.78	755	2.12	806	2.47	853	2.84	898	3.22
3750	381	0.53	452	0.74	520	0.98	584	1.26	645	1.56	703	1.88	757	2.23	808	2.59	855	2.97	900	3.36
4000	397	0.61	464	0.83	529	1.08	590	1.36	650	1.67	706	2.00	759	2.35	809	2.72	857	3.11	902	3.51
4250	413	0.70	477	0.93	538	1.19	598	1.47	655	1.78	709	2.12	761	2.48	811	2.86	858	3.25	903	3.66
4500	429	0.81	491	1.05	549	1.31	606	1.60	661	1.91	714	2.25	765	2.62	813	3.00	860	3.40	905	3.82
4750	445	0.92	505	1.17	561	1.44	615	1.73	667	2.05	719	2.40	768	2.77	816	3.15	862	3.56	906	3.99
5000	462	1.04	519	1.30	573	1.58	625	1.88	675	2.21	725	2.55	773	2.93	820	3.32	865	3.73	908	4.16

**LEGEND**

- Std Static - 440-609 RPM, Max BHP 1.9 (motor is 2.4 HP)
- Med Static - 547-757 RPM, Max BHP 2.9 (motor is 2.9 HP)
- High Static - 762-963 RPM, Max BHP 6.5\* (motor is 5.0 HP)
- BOLD** — Field-supplied drive (motor pulley = KR11HY151, use belt and blower pulley from standard static), rpm range = 338-507
- Italics** — Field-supplied drive (motor pulley = KR11HY186, blower pulley = KR51BJ413, belt = KR30BE072, use medium static motor), rpm range = 684-864

\* On Size 12 units, Max BHP for the High-Static High-Efficiency motor varies with the motor's voltage; see the table below.

Voltage	BHP
208	6.5
230	6.9
460	7.0
575	8.3

### 549J12D — 10 TON VERTICAL SUPPLY

CFM	Available External Static Pressure (in. wg)																			
	0.2		0.4		0.6		0.8		1.0		1.2		1.4		1.6		1.8		2.0	
	RPM	BHP	RPM	BHP	RPM	BHP	RPM	BHP	RPM	BHP	RPM	BHP	RPM	BHP	RPM	BHP	RPM	BHP	RPM	BHP
3000	383	0.39	470	0.60	549	0.85	620	1.13	684	1.42	742	1.73	795	2.05	845	2.38	891	2.73	935	3.08
3250	402	0.47	483	0.68	559	0.94	629	1.22	692	1.53	749	1.85	802	2.19	852	2.54	899	2.89	943	3.26
3500	421	0.55	498	0.78	570	1.04	637	1.33	699	1.65	756	1.98	809	2.33	859	2.69	906	3.06	950	3.45
3750	441	0.65	513	0.88	582	1.15	647	1.45	707	1.78	764	2.12	816	2.48	866	2.86	912	3.24	956	3.64
4000	461	0.75	529	0.99	594	1.27	657	1.58	716	1.91	771	2.27	824	2.64	873	3.03	919	3.42	963	3.83
4250	481	0.87	545	1.12	608	1.41	668	1.72	725	2.06	780	2.43	831	2.81	880	3.21	926	3.62	<u>970</u>	<u>4.04</u>
4500	502	1.01	563	1.26	622	1.55	680	1.88	735	2.22	788	2.60	839	2.99	887	3.40	933	3.82	<u>976</u>	<u>4.25</u>
4750	522	1.15	581	1.42	637	1.72	693	2.05	746	2.40	798	2.78	847	3.18	895	3.60	940	4.03	<u>983</u>	<u>4.47</u>
5000	543	1.31	599	1.59	653	1.90	706	2.23	<i>758</i>	<i>2.59</i>	808	2.98	856	3.38	903	3.81	947	4.25	<u>990</u>	<u>4.71</u>

**LEGEND**

- Std Static - 440-609 RPM, Max BHP 1.9 (motor is 2.4 HP)
- Med Static - 547-757 RPM, Max BHP 2.9 (motor is 2.9 HP)
- High Static - 762-963 RPM, Max BHP 6.5\* (motor is 5.0 HP)
- BOLD** — Field-supplied drive (motor pulley = KR11HY151, use belt and blower pulley from standard static), rpm range = 338-507
- Italics** — Field-supplied drive (motor pulley = KR11HY186, blower pulley = KR51BJ413, belt = KR30BE072, use medium static motor), rpm range = 684-864
- Underline** — Field-supplied (motor pulley = KR11HY194, blower pulley = KR51BJ413, belt = KR30BE072, use high static motor), rpm range = 846-1061

\* On Size 12 units, Max BHP for the High-Static High-Efficiency motor varies with the motor's voltage; see the table below.

Voltage	BHP
208	6.5
230	6.9
460	7.0
575	8.3

# Fan data (cont)

## PULLEY ADJUSTMENT — BELT DRIVE

549J UNIT		MOTOR/DRIVE COMBO	MOTOR PULLEY TURNS OPEN (RPM)										
			0.0	0.5	1.0	1.5	2.0	2.5	3.0	3.5	4.0	4.5	5.0
04	3 Phase	Medium Static	1251	1208	1165	1121	1078	1035	992	949	905	862	819
		High Static	1466	1423	1380	1337	1294	1251	1207	1164	1121	1078	1035
05	3 Phase	Medium Static	1303	1265	1226	1188	1150	1112	1073	1035	997	958	920
		High Static	1466	1423	1380	1337	1294	1251	1207	1164	1121	1078	1035
06	3 Phase	Medium Static	1380	1349	1317	1286	1254	1223	1192	1160	1129	1097	1066
		High Static	1639	1596	1553	1510	1467	1424	1380	1337	1294	1251	1208
07	3 Phase	Standard Static	747	721	695	670	644	618	592	566	541	515	489
		Medium Static	949	927	906	884	863	841	819	798	776	755	733
		High Static	1102	1083	1063	1044	1025	1006	986	967	948	928	909
08	3 Phase	Standard Static	733	712	690	669	647	626	604	583	561	540	518
		Medium Static	936	911	887	862	838	813	788	764	739	715	690
		High Static	1084	1059	1035	1010	986	961	936	912	887	863	838
09	3 Phase	Standard Static	652	633	614	594	575	556	537	518	498	479	460
		Medium Static	838	813	789	764	739	715	690	665	640	616	591
		High Static	1084	1059	1035	1010	986	961	936	912	887	863	838
12	3 Phase	Standard Static	609	592	575	558	541	525	508	491	474	457	440
		Medium Static	757	736	715	694	673	652	631	610	589	568	547
		High Static	963	943	923	903	883	863	842	822	802	782	762

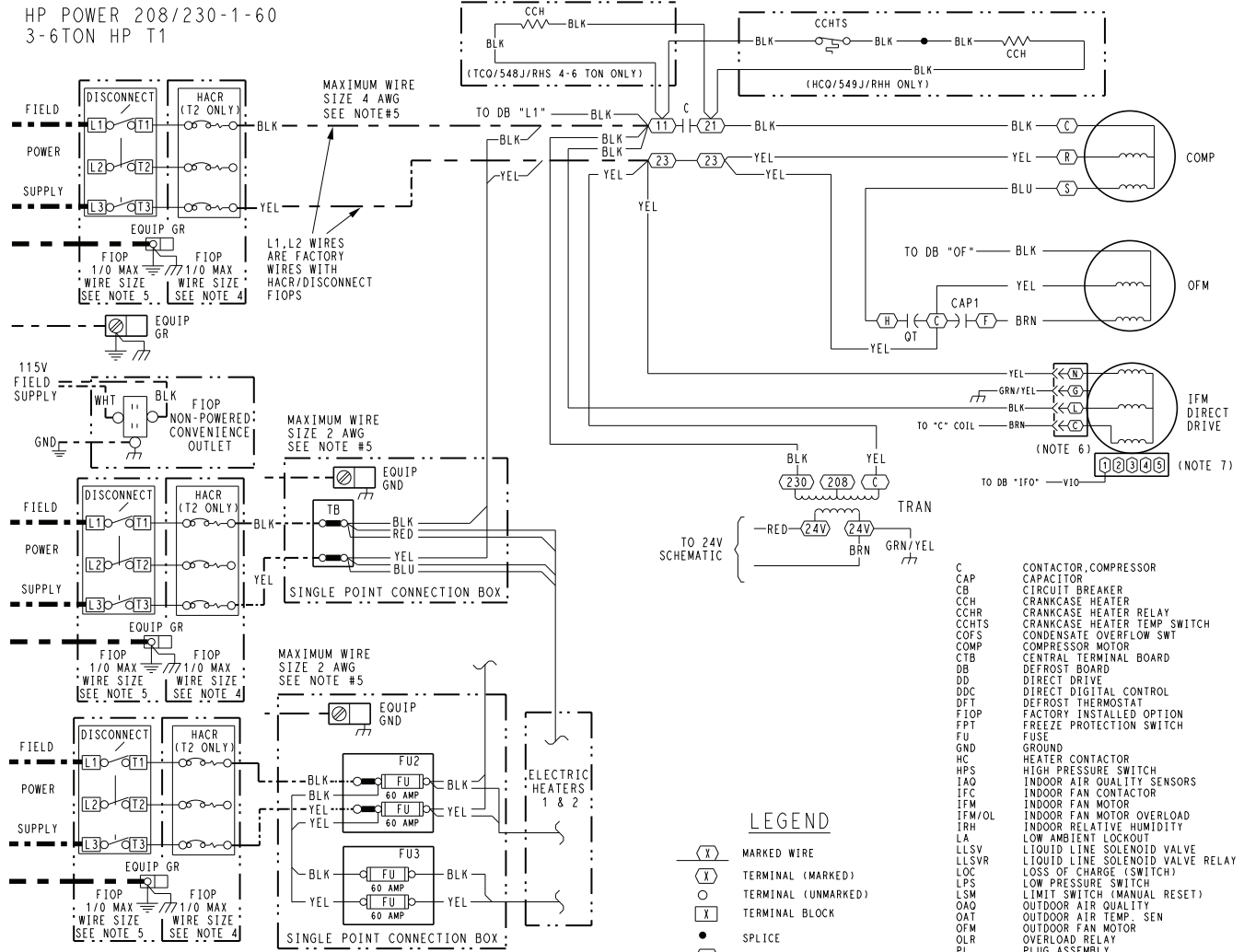
LEGEND

■ — Factory settings

NOTE: Do not adjust pulley further than 5 turns open.

# Typical wiring schematics

## TYPICAL POWER WIRING DIAGRAM: 1-STAGE COOLING UNIT SHOWN

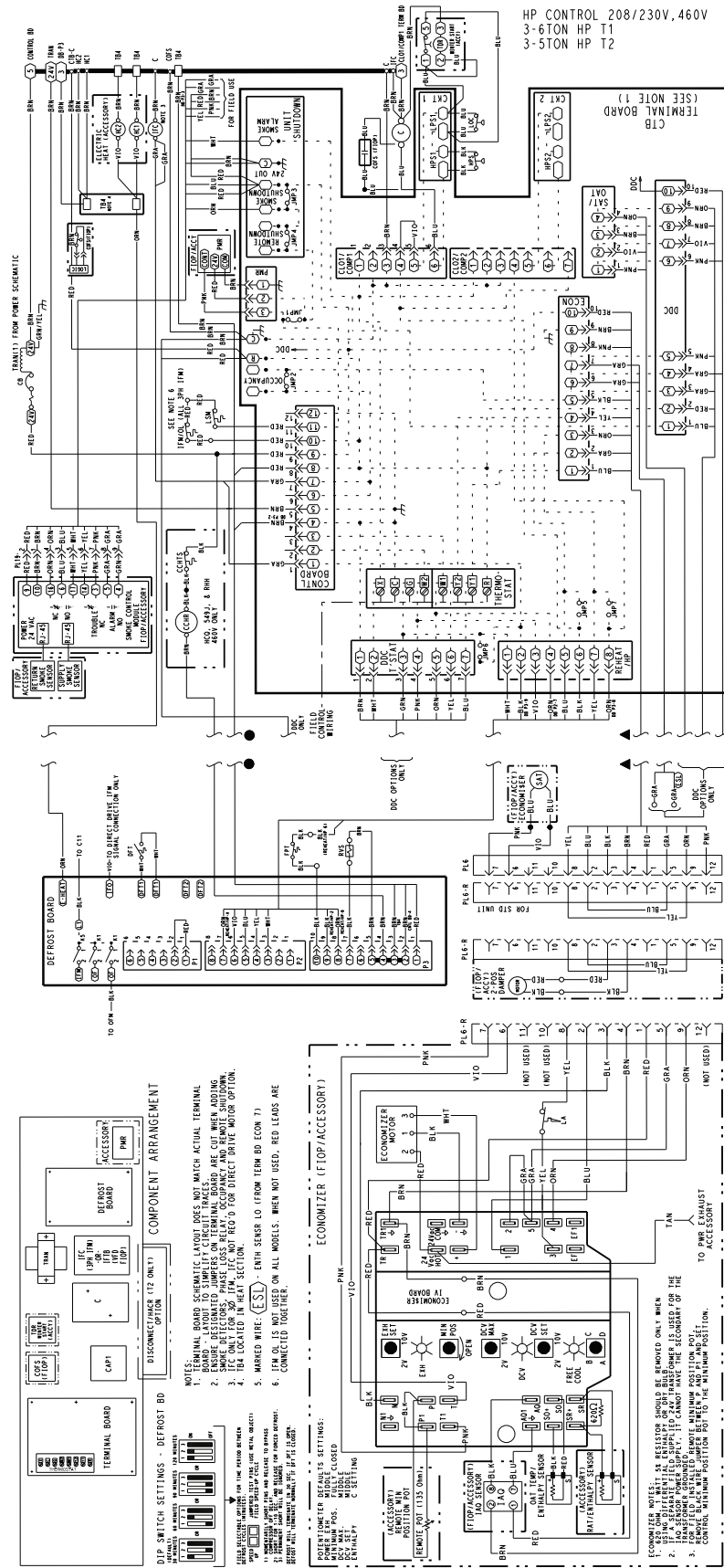


1. IF REQUIRED, ORIGINAL UNIT WIRING MUST BE REPLACED WITH TYPE 90 C WIRE OR EQUIVALENT.
2. COMPRESSOR AND FAN MOTORS ARE THERMALLY PROTECTED.
3. 208/230V UNIT TRAN IS WIRED FOR 230V UNIT. IF UNIT IS TO BE RUN WITH 208V POWER SUPPLY DISCONNECT BLK WIRE FROM 230V TAP AND CONNECT TO 200V TAP.
4. USE COPPER, COPPER CLAD ALUMINUM OR ALUMINUM CONDUCTORS.
5. USE COPPER CONDUCTOR ONLY.
6. DO NOT DISCONNECT POWER PLUG OR SIGNAL WIRE WHILE UNDER LOAD.
7. FACTORY WIRING FOR SIGNAL CONNECTION: 3 - 6 TON - 1. RELOCATION OF SIGNAL CONNECTION MAY BE REQUIRED WHEN USING FIELD INSTALLED ACCESSORIES - CONSULT INSTALLATION INSTRUCTION FOR PROPER SELECTION.
- LEGEND
- MARKED WIRE
  - TERMINAL (MARKED)
  - TERMINAL (UNMARKED)
  - TERMINAL BLOCK
  - SPLICE
  - SPLICE (MARKED)
  - FACTORY WIRING
  - FIELD CONTROL WIRING
  - FIELD POWER WIRING
  - CIRCUIT BOARD TRACE
  - ACCESSORY OR FIOP OR ALTERNATE UNIT
  - TO INDICATE COMMON POTENTIAL ONLY: NOT TO REPRESENT WIRING
- CAP CAPACITOR  
CB CIRCUIT BREAKER  
CCH CRANKCASE HEATER  
CCHR CRANKCASE HEATER RELAY  
CCHTS CRANKCASE HEATER TEMP SWITCH  
COFS CONDENSATE OVERFLOW SWT  
COMP COMPRESSOR MOTOR  
CTB CENTRAL TERMINAL BOARD  
DB DEFROST BOARD  
DD DIRECT DRIVE  
DDC DIRECT DIGITAL CONTROL  
DFT DEFROST THERMOSTAT  
FIOP FACTORY INSTALLED OPTION  
FPT FREEZE PROTECTION SWITCH  
FU FUSE  
GND GROUND  
HC HEATER CONTACTOR  
HPS HIGH PRESSURE SWITCH  
IAQ INDOOR AIR QUALITY SENSORS  
IFC INDOOR FAN CONTACTOR  
IFM INDOOR FAN MOTOR  
IFM/OL INDOOR FAN MOTOR OVERLOAD  
IRH INDOOR RELATIVE HUMIDITY  
LA LOW AMBIENT LOCKOUT  
LLSV LIQUID LINE SOLENOID VALVE  
LLSVR LIQUID LINE SOLENOID VALVE RELAY  
LOC LOSS OF CHARGE (SWITCH)  
LPS LOW PRESSURE SWITCH  
LSM LIMIT SWITCH (MANUAL RESET)  
OAO OUTDOOR AIR QUALITY  
OAT OUTDOOR AIR TEMP. SEN  
OFM OUTDOOR FAN MOTOR  
OLR OVERLOAD RELAY  
PL PLUS ASSEMBLY  
PMR PHASE MONITOR RELAY  
QT QUADRUPLE TERMINAL  
R RELAY  
RAT RETURN AIR TEMP. SEN  
RMT REMOTE OCCUPANCY  
RVS REVERSING VALVE SOLENOID  
SAT SUPPLY AIR TEMP. SENSOR  
SEN SENSOR  
SET SET POINT OFFSET  
TB TERMINAL BOARD  
TDR TIME DELAY RELAY(WINTER START)  
TRAN TRANSFORMER

48TM501435 I

# Typical wiring schematics (cont)

## TYPICAL CONTROL WIRING DIAGRAM: 1-STAGE UNIT WITH ELECTRO-MECHANICAL CONTROL SHOWN

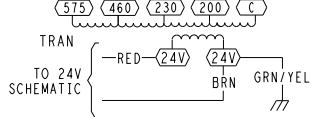
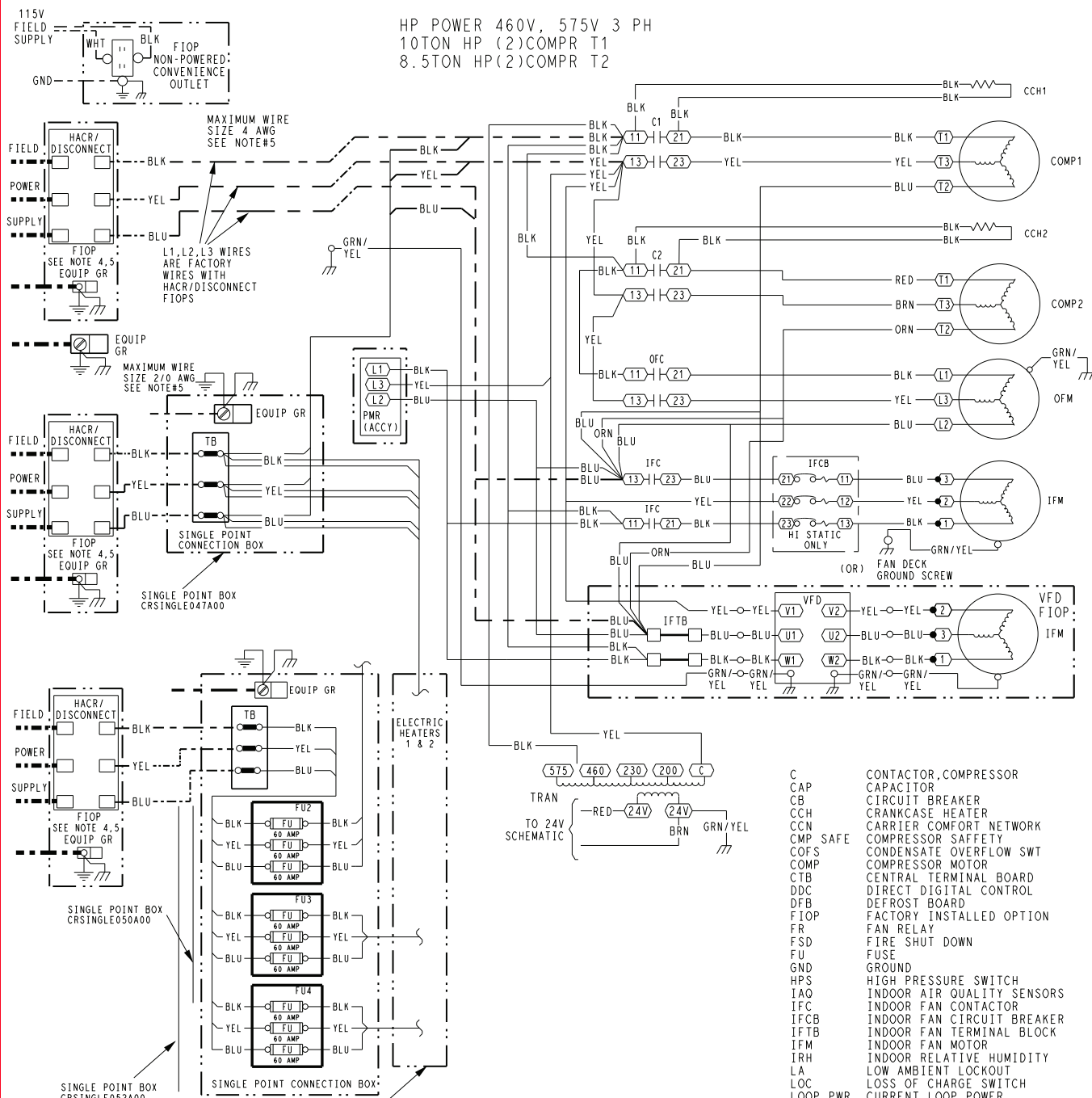


4874551434.1



## TYPICAL POWER WIRING DIAGRAM: 2-STAGE UNIT WITH 2-SPEED INDOOR FAN MOTOR AND VFD SHOWN

HP POWER 460V, 575V 3 PH  
10TON HP (2)COMPR T1  
8.5TON HP (2)COMPR T2



C	CONTACTOR, COMPRESSOR
CAP	CAPACITOR
CB	CIRCUIT BREAKER
CCH	CRANKCASE HEATER
CCN	CARRIER COMFORT NETWORK
CMPSAFE	COMPRESSOR SAFETY
COFS	CONDENSATE OVERFLOW SWT
COMP	COMPRESSOR MOTOR
CTB	CENTRAL TERMINAL BOARD
DDC	DIRECT DIGITAL CONTROL
DFB	DEFROST BOARD
FIOF	FACTORY INSTALLED OPTION
FR	FAN RELAY
FSD	FIRE SHUT DOWN
FU	FUSE
GND	GROUND
HPS	HIGH PRESSURE SWITCH
IAQ	INDOOR AIR QUALITY SENSORS
IFC	INDOOR FAN CONTACTOR
IFCB	INDOOR FAN CIRCUIT BREAKER
IFTB	INDOOR FAN TERMINAL BLOCK
IFM	INDOOR FAN MOTOR
IRH	INDOOR RELATIVE HUMIDITY
LA	LOW AMBIENT LOCKOUT
LOC	LOSS OF CHARGE SWITCH
LOOP	CURRENT LOOP POWER
LPS	LOW PRESSURE SWITCH
LSM	LIMIT SWITCH (MANUAL RESET)
OAQ	OUTDOOR AIR QUALITY
OAT	OUTDOOR AIR TEMP. SEN
OFC	OUTDOOR FAN CONTACTOR
OFM	OUTDOOR FAN MOTOR
OL	OVERLOAD
PL	PLUG ASSEMBLY
POT	POTENTIOMETER
PMR	PHASE MONITOR RELAY
QT	QUADRUPLE TERMINAL
R	RELAY
RAT	RETURN AIR TEMP. SEN
RMT	REMOTE OCCUPANCY
SAT	SUPPLY AIR TEMP. SENSOR
SEN	SENSOR
SET	SET POINT OFFSET
SFS	SUPPLY FAN STATUS
TDR	TIME DELAY RELAY(WINTER START)
TRAN	TRANSFORMER
VFD	VARIABLE FREQUENCY DRIVE

### LEGEND

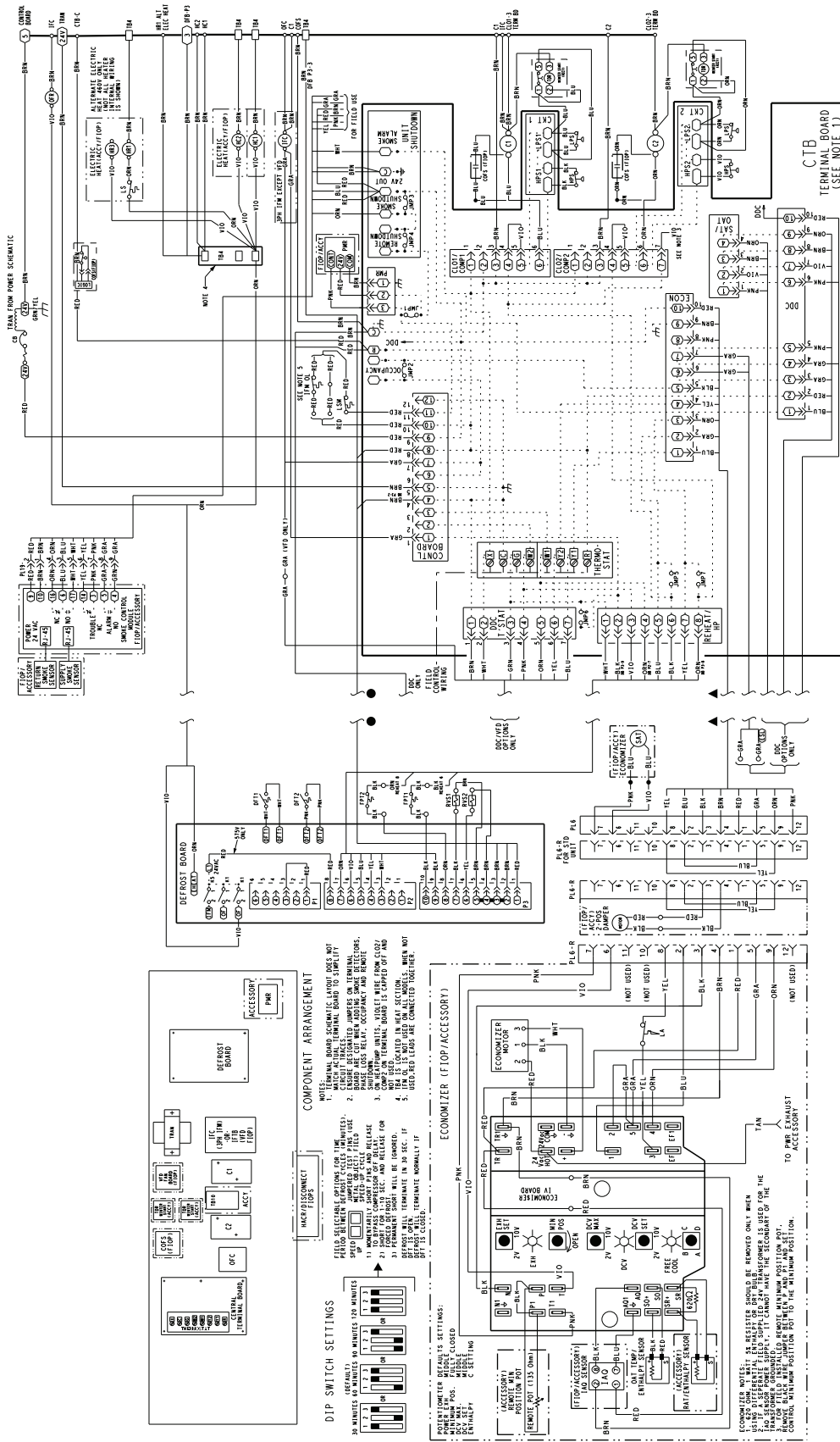
- FIELD SPlice
- MARKED WIRE
- TERMINAL (MARKED)
- TERMINAL (UNMARKED)
- TERMINAL BLOCK
- FACTORY WIRING
- FIELD CONTROL WIRING
- FIELD POWER WIRING
- CIRCUIT BOARD TRACE
- ACCESSORY OR FIOF
- TO INDICATE COMMON POTENTIAL ONLY: NOT TO REPRESENT WIRING

### NOTES:

1. IF ANY OF THE ORIGINAL WIRE FURNISHED MUST BE REPLACED, IT MUST BE REPLACED WITH TYPE 90 C WIRE OR ITS EQUIVALENT.
2. COMPRESSOR AND FAN MOTORS ARE THERMALLY PROTECTED. THREE PHASE MOTORS ARE PROTECTED AGAINST PRIMARY SINGLE PHASING CONDITIONS.
4. USE COPPER, COPPER CLAD ALUMINUM OR ALUMINUM CONDUCTORS. MAX 1/0 FOR HACR (T2 ONLY).
5. USE COPPER CONDUCTOR ONLY. MAX 1/0 FOR DISCONNECT.

# Typical wiring schematics (cont)

## TYPICAL CONTROL WIRING DIAGRAM: 2-STAGE UNIT WITH ELECTRO-MECHANICAL CONTROL SHOWN



HEAT PUMP CONTROL 208/230V, 460V, 575V  
 10TON HP (2)COMPR T1  
 8.5TON HP(2)COMPR T2

481MS01926 L

**COMPONENT ARRANGEMENT**  
 1. TERMINAL BOARD SCHEMATIC LAYOUT DOES NOT INDICATE WIRING TO THE DEFROST BOARD TO SIMPLIFY THE SCHEMATIC. THE DEFROST BOARD IS WIRING TO THE TERMINAL BOARD AS SHOWN IN THE SCHEMATIC. THE DEFROST BOARD IS WIRING TO THE TERMINAL BOARD AS SHOWN IN THE SCHEMATIC. THE DEFROST BOARD IS WIRING TO THE TERMINAL BOARD AS SHOWN IN THE SCHEMATIC.

**DIP SWITCH SETTINGS**  
 30 MINUTES 60 MINUTES 120 MINUTES  
 1. 1 1 1  
 2. 1 1 1  
 3. 1 1 1  
 4. 1 1 1  
 5. 1 1 1

**ECONOMIZER (IF10/ACCESSORY)**  
 POTENTIOMETER REMAINS CLOSED.  
 4. REMOTE POS. (4)  
 5. REMOTE POS. (5)  
 6. REMOTE POS. (6)  
 7. REMOTE POS. (7)  
 8. REMOTE POS. (8)  
 9. REMOTE POS. (9)  
 10. REMOTE POS. (10)  
 11. REMOTE POS. (11)  
 12. REMOTE POS. (12)

WIRING NOTE: ALL RESISTORS SHOULD BE REMOVED ONLY WHEN THE UNIT IS IN THE OFF POSITION. THE TRANSFORMER IS USED FOR THE TRANSFORMER PROVIDED INSURE MAXIMUM POSITION. THE TRANSFORMER IS USED FOR THE TRANSFORMER PROVIDED INSURE MAXIMUM POSITION. THE TRANSFORMER IS USED FOR THE TRANSFORMER PROVIDED INSURE MAXIMUM POSITION.

# Electrical data

## ELECTRIC HEAT - ELECTRICAL DATA SINGLE STAGE COOLING SINGLE SPEED INDOOR FAN MOTOR

UNIT SIZE	NOM. V-Ph-Hz	IFM TYPE	ELECTRIC HEATER PART NUMBER CRHEATER ****00	NOM PWR (kW)	APP PWR (kW)	SINGLE POINT KIT PART NUMBER CRSINGLE***A00			
						WITHOUT C.O. or UNPWRD C.O.		WITH PWRD C.O.	
						WITHOUT P.E.	WITH P.E. (pwrd fr/unit)	WITHOUT P.E.	WITH P.E. (pwrd fr/unit)
549J04A	208/230-1-60	DD-STD	101A00	4.4	3.3/4.0	037A00	037A00	—	—
			102A00	6.5	4.9/6.0	040A00	040A00	—	—
			103B00	8.7	6.5/8.0	040A00	040A00	—	—
			104B00	10.5	7.9/9.6	040A00	040A00	—	—
			102A00,102A00	13.0	9.8/11.9	041A00	041A00	—	—
	208/230-3-60	DD-STD	101A00	4.4	3.3/4.0	—	—	—	—
			102A00	6.5	4.9/6.0	—	—	—	—
			103B00	8.7	6.5/8.0	—	—	037A00	037A00
			104B00	10.5	7.9/9.6	037A00	037A00	037A00	037A00
			105A00	16.0	12.0/14.7	038A00	038A00	038A00	038A00
		MED	101A00	4.4	3.3/4.0	—	—	—	—
			102A00	6.5	4.9/6.0	—	—	—	—
			103B00	8.7	6.5/8.0	—	—	—	037A00
			104B00	10.5	7.9/9.6	037A00	037A00	037A00	037A00
			105A00	16.0	12.0/14.7	038A00	038A00	038A00	038A00
		HIGH	101A00	4.4	3.3/4.0	—	—	—	—
			102A00	6.5	4.9/6.0	—	—	—	—
			103B00	8.7	6.5/8.0	—	—	037A00	037A00
			104B00	10.5	7.9/9.6	037A00	037A00	037A00	037A00
			105A00	16.0	12.0/14.7	038A00	038A00	038A00	038A00
	460-3-60	DD-STD	106A00	6.0	5.5	—	—	—	—
			107A00	8.8	8.1	—	—	—	—
			108A00	11.5	10.6	—	—	—	—
			109A00	14.0	12.9	—	—	—	—
		MED	106A00	6.0	5.5	—	—	—	—
			107A00	8.8	8.1	—	—	—	—
			108A00	11.5	10.6	—	—	—	—
			109A00	14.0	12.9	—	—	—	—
		HIGH	106A00	6.0	5.5	—	—	—	—
			107A00	8.8	8.1	—	—	—	—
			108A00	11.5	10.6	—	—	—	—
			109A00	14.0	12.9	—	—	—	—
	575-3-60	DD-STD	297A00	10.0	9.2	—	—	—	—
			298A00	15.0	13.8	—	—	—	—
		MED	297A00	10.0	9.2	—	—	—	—
			298A00	15.0	13.8	—	—	—	—
		HIGH	297A00	10.0	9.2	—	—	—	—
			298A00	15.0	13.8	—	—	—	—

### LEGEND

—	— No Single Point Kit Required
<b>APP PWR</b>	— 208 / 230V / 460V / 575V
<b>C.O.</b>	— Convenience Outlet
<b>DD</b>	— Electric Drive X13 5 Speed/Torque Motor
<b>IFM</b>	— Indoor Fan Motor
<b>NOM PWR</b>	— 240V / 480V / 600V
<b>P.E.</b>	— Power Exhaust
<b>PWRD</b>	— Powered Convenience Outlet
<b>pwrd fr/unit</b>	— Powered from Unit
<b>UNPWRD</b>	— Unpowered Convenience Outlet

# Electrical data (cont)

## ELECTRIC HEAT - ELECTRICAL DATA SINGLE STAGE COOLING SINGLE SPEED INDOOR FAN AND FACTORY-INSTALLED NON-FUSED DISCONNECT SWITCH

UNIT SIZE	NOM. V-Ph-Hz	IFM TYPE	ELECTRIC HEATER PART NUMBER CRHEATER ****00	NOM PWR (kW)	APP PWR (kW)	SINGLE POINT KIT PART NUMBER CRSINGLE***A00			
						WITHOUT C.O. or UNPWRD C.O.		WITH PWRD C.O.	
						WITHOUT P.E.	WITH P.E. (pwrd fr/unit)	WITHOUT P.E.	WITH P.E. (pwrd fr/unit)
549J04A	208/230-1-60	DD-STD	101A00	4.4	3.3/4.0	037A00	037A00	—	—
			102A00	6.5	4.9/6.0	040A00	040A00	—	—
			103B00	8.7	6.5/8.0	040A00	040A00	—	—
			104B00	10.5	7.9/9.6	040A00	040A00	—	—
			102A00,102A00	13.0	9.8/11.9	041A00	041A00	—	—
	208/230-3-60	DD-STD	101A00	4.4	3.3/4.0	037A00	037A00	037A00	037A00
			102A00	6.5	4.9/6.0	037A00	037A00	037A00	037A00
			103B00	8.7	6.5/8.0	037A00	037A00	037A00	037A00
			104B00	10.5	7.9/9.6	037A00	037A00	037A00	037A00
			105A00	16.0	12.0/14.7	038A00	038A00	038A00	038A00
		MED	101A00	4.4	3.3/4.0	049A00	037A00	037A00	037A00
			102A00	6.5	4.9/6.0	049A00	037A00	037A00	037A00
			103B00	8.7	6.5/8.0	051A00	037A00	037A00	037A00
			104B00	10.5	7.9/9.6	051A00	037A00	037A00	037A00
			105A00	16.0	12.0/14.7	038A00	038A00	038A00	038A00
		HIGH	101A00	4.4	3.3/4.0	049A00	037A00	037A00	037A00
			102A00	6.5	4.9/6.0	049A00	037A00	037A00	037A00
			103B00	8.7	6.5/8.0	051A00	037A00	037A00	037A00
			104B00	10.5	7.9/9.6	051A00	037A00	037A00	037A00
			105A00	16.0	12.0/14.7	038A00	038A00	038A00	038A00
	460-3-60	DD-STD	106A00	6.0	5.5	—	—	—	—
			107A00	8.8	8.1	—	—	—	—
			108A00	11.5	10.6	—	—	—	—
			109A00	14.0	12.9	—	—	—	—
		MED	106A00	6.0	5.5	—	—	—	—
			107A00	8.8	8.1	—	—	—	—
			108A00	11.5	10.6	—	—	—	—
			109A00	14.0	12.9	—	—	—	—
		HIGH	106A00	6.0	5.5	—	—	—	—
			107A00	16.5	8.1	—	—	—	—
			108A00	11.5	10.6	—	—	—	—
			109A00	14.0	12.9	—	—	—	—
	575-3-60	DD-STD	297A00	10.0	9.2	—	—	—	—
			298A00	15.0	13.8	—	—	—	—
		MED	297A00	10.0	9.2	—	—	—	—
			298A00	15.0	13.8	—	—	—	—
HIGH		297A00	10.0	9.2	—	—	—	—	
		298A00	15.0	13.8	—	—	—	—	

### LEGEND

—	— No Single Point Kit Required
APP PWR	— 208 / 230V / 460V / 575V
C.O.	— Convenience Outlet
DD	— Electric Drive X13 5 Speed/Torque Motor
IFM	— Indoor Fan Motor
NOM PWR	— 240V / 480V / 600V
P.E.	— Power Exhaust
PWRD	— Powered Convenience Outlet
pwrd fr/unit	— Powered from Unit
UNPWRD	— Unpowered Convenience Outlet

**ELECTRIC HEAT - ELECTRICAL DATA  
SINGLE STAGE COOLING SINGLE SPEED INDOOR FAN MOTOR**

UNIT SIZE	NOM. V-Ph-Hz	IFM TYPE	ELECTRIC HEATER PART NUMBER CRHEATER ****00	NOM PWR (kW)	APP PWR (kW)	SINGLE POINT KIT PART NUMBER CRSINGLE***A00			
						WITHOUT C.O. or UNPWRD C.O.		WITH PWRD C.O.	
						WITHOUT P.E.	WITH P.E. (pwrd fr/unit)	WITHOUT P.E.	WITH P.E. (pwrd fr/unit)
549J05A	208/230-1-60	DD-STD	101A00	4.4	3.3/4.0	037A00	037A00	—	—
			103B00	8.7	6.5/8.0	040A00	040A00	—	—
			102A00,102A00	13.0	9.8/11.9	041A00	041A00	—	—
			103B00,103B00	17.4	13.1/16.0	041A00	041A00	—	—
			104B00,104B00	21.0	15.8/19.3	041A00	041A00	—	—
	208/230-3-60	DD-STD	102A00	6.5	4.9/6.0	—	—	—	037A00
			103B00	8.7	6.5/8.0	037A00	037A00	037A00	037A00
			105A00	16.0	12.0/14.7	038A00	038A00	038A00	038A00
			104B00,104B00	21.0	15.8/19.3	039A00	039A00	039A00	039A00
		MED	102A00	6.5	4.9/6.0	—	—	—	—
			103B00	8.7	6.5/8.0	—	037A00	037A00	037A00
			105A00	16.0	12.0/14.7	038A00	038A00	038A00	038A00
			104B00,104B00	21.0	15.8/19.3	039A00	039A00	039A00	039A00
		HIGH	102A00	6.5	4.9/6.0	—	—	—	037A00
			103B00	8.7	6.5/8.0	037A00	037A00	037A00	037A00
			105A00	16.0	12.0/14.7	038A00	038A00	038A00	038A00
			104B00,104B00	21.0	15.8/19.3	039A00	039A00	039A00	039A00
			106A00	6.0	5.5	—	—	—	—
	460-3-60	DD-STD	108A00	11.5	10.6	—	—	—	—
			109A00	14.0	12.9	—	—	—	—
			108A00,108A00	23.0	21.1	037A00	037A00	037A00	037A00
			106A00	6.0	5.5	—	—	—	—
		MED	108A00	11.5	10.6	—	—	—	—
			109A00	14.0	12.9	—	—	—	—
			108A00,108A00	23.0	21.1	037A00	037A00	037A00	037A00
			106A00	6.0	5.5	—	—	—	—
		HIGH	108A00	11.5	10.6	—	—	—	—
			109A00	14.0	12.9	—	—	—	—
			108A00,108A00	23.0	21.1	037A00	037A00	037A00	037A00
			106A00	6.0	5.5	—	—	—	—
	575-3-60	DD-STD	297A00	10.0	9.2	—	—	—	—
			298A00	15.0	13.8	—	—	—	—
		MED	297A00	10.0	9.2	—	—	—	—
			298A00	15.0	13.8	—	—	—	—
		HIGH	297A00	10.0	9.2	—	—	—	—
	298A00	15.0	13.8	—	—	—	—		

**LEGEND**

- No Single Point Kit Required
- APP PWR** — 208 / 230V / 460V / 575V
- C.O.** — Convenience Outlet
- DD** — Electric Drive X13 5 Speed/Torque Motor
- IFM** — Indoor Fan Motor
- NOM PWR** — 240V / 480V / 600V
- P.E.** — Power Exhaust
- PWRD** — Powered Convenience Outlet
- pwrd fr/unit** — Powered from Unit
- UNPWRD** — Unpowered Convenience Outlet

# Electrical data (cont)

## ELECTRIC HEAT - ELECTRICAL DATA SINGLE STAGE COOLING SINGLE SPEED INDOOR FAN AND FACTORY-INSTALLED NON-FUSED DISCONNECT SWITCH

UNIT SIZE	NOM. V-Ph-Hz	IFM TYPE	ELECTRIC HEATER PART NUMBER CRHEATER *****00	NOM PWR (kW)	APP PWR (kW)	SINGLE POINT KIT PART NUMBER CRSINGLE***A00			
						WITHOUT C.O. or UNPWRD C.O.		WITH PWRD C.O.	
						WITHOUT P.E.	WITH P.E. (pwrd fr/unit)	WITHOUT P.E.	WITH P.E. (pwrd fr/unit)
549J05A	208/230-1-60	DD-STD	101A00	4.4	3.3/4.0	037A00	037A00	—	—
			103B00	8.7	6.5/8.0	040A00	040A00	—	—
			102A00,102A00	13.0	9.8/11.9	041A00	041A00	—	—
			103B00,103B00	17.4	13.1/16.0	041A00	041A00	—	—
			104B00,104B00	21.0	15.8/19.3	041A00	041A00	—	—
	208/230-3-60	DD-STD	102A00	6.5	4.9/6.0	037A00	037A00	037A00	037A00
			103B00	8.7	6.5/8.0	037A00	037A00	037A00	037A00
			105A00	16.0	12.0/14.7	038A00	038A00	038A00	038A00
			104B00,104B00	21.0	15.8/19.3	039A00	039A00	039A00	039A00
		MED	102A00	6.5	4.9/6.0	037A00	037A00	037A00	037A00
			103B00	8.7	6.5/8.0	037A00	037A00	037A00	037A00
			105A00	16.0	12.0/14.7	038A00	038A00	038A00	038A00
			104B00,104B00	21.0	15.8/19.3	039A00	039A00	039A00	039A00
		HIGH	102A00	6.5	4.9/6.0	037A00	037A00	037A00	037A00
			103B00	8.7	6.5/8.0	037A00	037A00	037A00	037A00
			105A00	16.0	12.0/14.7	038A00	038A00	038A00	038A00
			104B00,104B00	21.0	15.8/19.3	039A00	039A00	039A00	039A00
	460-3-60	DD-STD	106A00	6.0	5.5	—	—	—	—
			108A00	11.5	10.6	—	—	—	—
			109A00	14.0	12.9	—	—	—	—
			108A00,108A00	23.0	21.1	037A00	037A00	037A00	037A00
		MED	106A00	6.0	5.5	—	—	—	—
			108A00	11.5	10.6	—	—	—	—
			109A00	14.0	12.9	—	—	—	—
			108A00,108A00	23.0	21.1	037A00	037A00	037A00	037A00
		HIGH	106A00	6.0	5.5	—	—	—	—
			108A00	11.5	10.6	—	—	—	—
			109A00	14.0	12.9	—	—	—	—
			108A00,108A00	23.0	21.1	037A00	037A00	037A00	037A00
	575-3-60	DD-STD	297A00	10.0	9.2	—	—	—	—
			298A00	15.0	13.8	—	—	—	—
		MED	297A00	10.0	9.2	—	—	—	—
			298A00	15.0	13.8	—	—	—	—
		HIGH	297A00	10.0	9.2	—	—	—	—
			298A00	15.0	13.8	—	—	—	—

### LEGEND

—	— No Single Point Kit Required
<b>APP PWR</b>	— 208 / 230V / 460V / 575V
<b>C.O.</b>	— Convenience Outlet
<b>DD</b>	— Electric Drive X13 5 Speed/Torque Motor
<b>IFM</b>	— Indoor Fan Motor
<b>NOM PWR</b>	— 240V / 480V / 600V
<b>P.E.</b>	— Power Exhaust
<b>PWRD</b>	— Powered Convenience Outlet
<b>PWRD FR/UNIT</b>	— Powered from Unit
<b>UNPWRD</b>	— Unpowered Convenience Outlet

**ELECTRIC HEAT - ELECTRICAL DATA  
SINGLE STAGE COOLING SINGLE SPEED INDOOR FAN MOTOR**

UNIT SIZE	NOM. V-Ph-Hz	IFM TYPE	ELECTRIC HEATER PART NUMBER CRHEATER ****00	NOM PWR (kW)	APP PWR (kW)	SINGLE POINT KIT PART NUMBER CRSINGLE***A00			
						WITHOUT C.O. or UNPWRD C.O.		WITH PWRD C.O.	
						WITHOUT P.E.	WITH P.E. (pwrd fr/unit)	WITHOUT P.E.	WITH P.E. (pwrd fr/unit)
549J06A	208/230-1-60	DD-STD	102A00	6.5	4.9/6.0	040A00	040A00	—	—
			103B00	8.7	6.5/8.0	040A00	040A00	—	—
			102A00,102A00	13.0	9.8/11.9	041A00	041A00	—	—
			103B00,103B00	17.4	13.1/16.0	041A00	041A00	—	—
			104B00,104B00	21.0	15.8/19.3	041A00	041A00	—	—
	208/230-3-60	DD-STD	102A00	6.5	4.9/6.0	—	037A00	037A00	037A00
			104B00	10.5	7.9/9.6	038A00	038A00	038A00	038A00
			105A00	16.0	12.0/14.7	038A00	038A00	038A00	038A00
			104B00,104B00	21.0	15.8/19.3	039A00	039A00	039A00	039A00
			104B00,105A00	26.5	19.9/24.3	039A00	039A00	039A00	039A00
		MED	102A00	6.5	4.9/6.0	—	038A00	037A00	037A00
			104B00	10.5	7.9/9.6	037A00	037A00	038A00	038A00
			105A00	16.0	12.0/14.7	038A00	038A00	038A00	038A00
			104B00,104B00	21.0	15.8/19.3	039A00	039A00	039A00	039A00
			104B00,105A00	26.5	19.9/24.3	039A00	039A00	039A00	039A00
		HIGH	102A00	6.5	4.9/6.0	—	037A00	037A00	037A00
			104B00	10.5	7.9/9.6	038A00	038A00	038A00	038A00
			105A00	16.0	12.0/14.7	038A00	038A00	038A00	038A00
			104B00,104B00	21.0	15.8/19.3	039A00	039A00	039A00	039A00
			104B00,105A00	26.5	19.9/24.3	039A00	039A00	039A00	039A00
	460-3-60	DD-STD	106A00	6.0	5.5	—	—	—	—
			108A00	11.5	10.6	—	—	—	—
			109A00	14.0	12.9	—	—	—	—
			108A00,108A00	23.0	21.1	037A00	037A00	037A00	037A00
			108A00,109A00	25.5	23.4	037A00	037A00	037A00	037A00
		MED	106A00	6.0	5.5	—	—	—	—
			108A00	11.5	10.6	—	—	—	—
			109A00	14.0	12.9	—	—	—	—
			108A00,108A00	23.0	21.1	037A00	037A00	037A00	037A00
			108A00,109A00	25.5	23.4	037A00	037A00	037A00	037A00
		HIGH	106A00	6.0	5.5	—	—	—	—
			108A00	11.5	10.6	—	—	—	—
			109A00	14.0	12.9	—	—	—	—
			108A00,108A00	23.0	21.1	037A00	037A00	037A00	037A00
			108A00,109A00	25.5	23.4	037A00	037A00	037A00	037A00
	575-3-60	DD-STD	298A00	15.0	13.8	—	—	—	—
			301A00	25.0	23.0	—	—	—	—
		MED	298A00	15.0	13.8	—	—	—	—
			301A00	25.0	23.0	—	—	—	—
		HIGH	298A00	15.0	13.8	—	—	—	—
301A00			25.0	23.0	—	—	—	—	

**LEGEND**

- No Single Point Kit Required
- APP PWR** — 208 / 230V / 460V / 575V
- C.O.** — Convenience Outlet
- DD** — Electric Drive X13 5 Speed/Torque Motor
- IFM** — Indoor Fan Motor
- NOM PWR** — 240V / 480V / 600V
- P.E.** — Power Exhaust
- PWRD** — Powered Convenience Outlet
- PWRD FR/UNIT** — Powered from Unit
- UNPWRD** — Unpowered Convenience Outlet

# Electrical data (cont)

## ELECTRIC HEAT - ELECTRICAL DATA SINGLE STAGE COOLING SINGLE SPEED INDOOR FAN AND FACTORY-INSTALLED NON-FUSED DISCONNECT SWITCH

UNIT SIZE	NOM. V-Ph-Hz	IFM TYPE	ELECTRIC HEATER PART NUMBER CRHEATER ****00	NOM PWR (kW)	APP PWR (kW)	SINGLE POINT KIT PART NUMBER CRSINGLE***A00				
						WITHOUT C.O. or UNPWRD C.O.		WITH PWRD C.O.		
						WITHOUT P.E.	WITH P.E. (pwrd fr/unit)	WITHOUT P.E.	WITH P.E. (pwrd fr/unit)	
549J06A	208/230-1-60	DD-STD	102A00	6.5	4.9/6.0	040A00	040A00	—	—	
			103B00	8.7	6.5/8.0	040A00	040A00	—	—	
			102A00,102A00	13.0	9.8/11.9	041A00	041A00	—	—	
			103B00,103B00	17.4	13.1/16.0	041A00	041A00	—	—	
			104B00,104B00	21.0	15.8/19.3	041A00	041A00	—	—	
	208/230-3-60	DD-STD	102A00	6.5	4.9/6.0	037A00	037A00	037A00	037A00	
			104B00	10.5	7.9/9.6	038A00	038A00	038A00	038A00	
			105A00	16.0	12.0/14.7	038A00	038A00	038A00	038A00	
			104B00,104B00	21.0	15.8/19.3	039A00	039A00	039A00	039A00	
			104B00,105A00	26.5	19.9/24.3	039A00	039A00	039A00	039A00	
		MED	102A00	6.5	4.9/6.0	037A00	037A00	037A00	037A00	
			104B00	10.5	7.9/9.6	038A00	038A00	038A00	038A00	
			105A00	16.0	12.0/14.7	038A00	038A00	038A00	038A00	
			104B00,104B00	21.0	15.8/19.3	039A00	039A00	039A00	039A00	
		HIGH	104B00,105A00	26.5	19.9/24.3	039A00	039A00	039A00	039A00	
			102A00	6.5	4.9/6.0	037A00	037A00	037A00	037A00	
			104B00	10.5	7.9/9.6	038A00	038A00	038A00	038A00	
			105A00	16.0	12.0/14.7	038A00	038A00	038A00	038A00	
		460-3-60	DD-STD	106A00	6.0	5.5	—	—	—	—
				108A00	11.5	10.6	—	—	—	—
	109A00			14.0	12.9	—	—	—	—	
	108A00,108A00			23.0	21.1	037A00	037A00	037A00	037A00	
	108A00,109A00			25.5	23.4	037A00	037A00	037A00	037A00	
	MED		106A00	6.0	5.5	—	—	—	—	
			108A00	11.5	10.6	—	—	—	—	
			109A00	14.0	12.9	—	—	—	—	
			108A00,108A00	23.0	21.1	037A00	037A00	037A00	037A00	
	HIGH		108A00,109A00	25.5	23.4	037A00	037A00	037A00	037A00	
			106A00	6.0	5.5	—	—	—	—	
			108A00	11.5	10.6	—	—	—	—	
			109A00	14.0	12.9	—	—	—	—	
	575-3-60	DD-STD	108A00,108A00	23.0	21.1	037A00	037A00	037A00	037A00	
			108A00,109A00	25.5	23.4	037A00	037A00	037A00	037A00	
MED		106A00	6.0	5.5	—	—	—	—		
		108A00	11.5	10.6	—	—	—	—		
HIGH		109A00	14.0	12.9	—	—	—	—		

### LEGEND

—	— No Single Point Kit Required
APP PWR	— 208 / 230V / 460V / 575V
C.O.	— Convenience Outlet
DD	— Electric Drive X13 5 Speed/Torque Motor
IFM	— Indoor Fan Motor
NOM PWR	— 240V / 480V / 600V
P.E.	— Power Exhaust
PWRD	— Powered Convenience Outlet
PWRD FR/UNIT	— Powered from Unit
UNPWRD	— Unpowered Convenience Outlet



**ELECTRIC HEAT - ELECTRICAL DATA**  
**SINGLE STAGE COOLING SINGLE SPEED INDOOR FAN MOTOR**  
**WITH AND WITHOUT FACTORY-INSTALLED NON-FUSED DISCONNECT SWITCH**

UNIT SIZE	NOM. V-Ph-Hz	IFM TYPE	ELECTRIC HEATER PART NUMBER CRHEATER ****00	NOM PWR (kW)	APP PWR (kW)	SINGLE POINT KIT PART NUMBER CRSINGLE***A00			
						WITHOUT C.O. or UNPWRD C.O.		WITH PWRD C.O.	
						WITHOUT P.E.	WITH P.E. (pwrd fr/unit)	WITHOUT P.E.	WITH P.E. (pwrd fr/unit)
<b>549J07A</b>	<b>208/230-3-60</b>	STD	264A00	6.5	4.9/6.0	042A00	042A00	042A00	045A00
			117A00	10.4	7.8/9.6	043A00	043A00	043A00	043A00
			110A00	16.0	12.0/14.7	043A00	043A00	043A00	043A00
			117A00,117A00	21.0	15.8/19.3	045A00	045A00	045A00	045A00
			110A00,117A00	26.5	19.9/24.3	045A00	045A00	045A00	045A00
		MED	264A00	6.5	4.9/6.0	042A00	042A00	045A00	045A00
			117A00	10.4	7.8/9.6	043A00	043A00	043A00	043A00
			110A00	16.0	12.0/14.7	043A00	043A00	043A00	043A00
			117A00,117A00	21.0	15.8/19.3	045A00	045A00	045A00	045A00
			110A00,117A00	26.5	19.9/24.3	045A00	045A00	045A00	045A00
		HIGH	264A00	6.5	4.9/6.0	042A00	045A00	045A00	045A00
			117A00	10.4	7.8/9.6	043A00	043A00	043A00	043A00
	110A00		16.0	12.0/14.7	043A00	043A00	043A00	043A00	
	117A00,117A00		21.0	15.8/19.3	045A00	045A00	045A00	045A00	
	110A00,117A00		26.5	19.9/24.3	045A00	045A00	045A00	045A00	
	<b>460-3-60</b>	STD	265A00	6.0	5.5	042A00	042A00	042A00	042A00
			266A00	11.5	10.6	042A00	042A00	042A00	042A00
			267A00	14.0	12.9	042A00	042A00	042A00	042A00
			268A00	23.0	21.1	042A00	042A00	042A00	042A00
			269A00	25.5	23.4	042A00	042A00	042A00	042A00
		MED	265A00	6.0	5.5	042A00	042A00	042A00	042A00
			266A00	11.5	10.6	042A00	042A00	042A00	042A00
			267A00	14.0	12.9	042A00	042A00	042A00	042A00
			268A00	23.0	21.1	042A00	042A00	042A00	042A00
			269A00	25.5	23.4	042A00	042A00	042A00	048A00
		HIGH	265A00	6.0	5.5	042A00	042A00	042A00	042A00
			266A00	11.5	10.6	042A00	042A00	042A00	042A00
	267A00		14.0	12.9	042A00	042A00	042A00	042A00	
	268A00		23.0	21.1	042A00	042A00	042A00	042A00	
	<b>575-3-60</b>	DD-STD	118A00	18.0	16.5	042A00	042A00	042A00	042A00
			299A00	28.0	25.7	042A00	042A00	042A00	042A00
		MED	118A00	18.0	16.5	042A00	042A00	042A00	042A00
			299A00	28.0	25.7	042A00	042A00	042A00	042A00
		HIGH	118A00	18.0	16.5	042A00	042A00	042A00	042A00
			299A00	28.0	25.7	042A00	042A00	042A00	042A00

**LEGEND**

- No Single Point Kit Required
- APP PWR** — 208 / 230V / 460V / 575V
- C.O.** — Convenience Outlet
- DD** — Electric Drive X13 5 Speed/Torque Motor
- IFM** — Indoor Fan Motor
- NOM PWR** — 240V / 480V / 600V
- P.E.** — Power Exhaust
- PWRD** — Powered Convenience Outlet
- PWRD FR/UNIT** — Powered from Unit
- UNPWRD** — Unpowered Convenience Outlet

# Electrical data (cont)

## ELECTRIC HEAT - ELECTRICAL DATA 2-STAGE COOLING SINGLE SPEED INDOOR FAN MOTOR WITH AND WITHOUT FACTORY-INSTALLED NON-FUSED DISCONNECT SWITCH

UNIT SIZE	NOM. V-Ph-Hz	IFM TYPE	ELECTRIC HEATER PART NUMBER CRHEATER ****00	NOM PWR (kW)	APP PWR (kW)	SINGLE POINT KIT PART NUMBER CRSINGLE***A00			
						WITHOUT C.O. or UNPWRD C.O.		WITH PWRD C.O.	
						WITHOUT P.E.	WITH P.E. (pwrd fr/unit)	WITHOUT P.E.	WITH P.E. (pwrd fr/unit)
549J07D	208/230-3-60	STD	264A00	6.5	4.9/6.0	042A00	042A00	042A00	045A00
			117A00	10.4	7.8/9.6	043A00	043A00	043A00	043A00
			110A00	16.0	12.0/14.7	043A00	043A00	043A00	043A00
			117A00,117A00	21.0	15.8/19.3	045A00	045A00	045A00	045A00
			110A00,117A00	26.5	19.9/24.3	045A00	045A00	045A00	045A00
		MED	264A00	6.5	4.9/6.0	042A00	042A00	042A00	045A00
			117A00	10.4	7.8/9.6	043A00	043A00	043A00	043A00
			110A00	16.0	12.0/14.7	043A00	043A00	043A00	043A00
			117A00,117A00	21.0	15.8/19.3	045A00	045A00	045A00	045A00
			110A00,117A00	26.5	19.9/24.3	045A00	045A00	045A00	045A00
		HIGH	264A00	6.5	4.9/6.0	042A00	045A00	045A00	045A00
			117A00	10.4	7.8/9.6	043A00	043A00	043A00	043A00
			110A00	16.0	12.0/14.7	043A00	043A00	043A00	043A00
			117A00,117A00	21.0	15.8/19.3	045A00	045A00	045A00	045A00
			110A00,117A00	26.5	19.9/24.3	045A00	045A00	045A00	045A00
	460-3-60	STD	265A00	6.0	5.5	042A00	042A00	042A00	042A00
			266A00	11.5	10.6	042A00	042A00	042A00	042A00
			267A00	14.0	12.9	042A00	042A00	042A00	042A00
			268A00	23.0	21.1	042A00	042A00	042A00	042A00
			269A00	25.5	23.4	042A00	042A00	042A00	042A00
		MED	265A00	6.0	5.5	042A00	042A00	042A00	042A00
			266A00	11.5	10.6	042A00	042A00	042A00	042A00
			267A00	14.0	12.9	042A00	042A00	042A00	042A00
			268A00	23.0	21.1	042A00	042A00	042A00	042A00
			269A00	25.5	23.4	042A00	042A00	042A00	042A00
		HIGH	265A00	6.0	5.5	042A00	042A00	042A00	042A00
			266A00	11.5	10.6	042A00	042A00	042A00	042A00
			267A00	14.0	12.9	042A00	042A00	042A00	042A00
			268A00	23.0	21.1	042A00	042A00	042A00	042A00
			269A00	25.5	23.4	042A00	048A00	048A00	048A00
575-3-60	STD	118A00	18.0	16.5	042A00	042A00	042A00	042A00	
		299A00	28.0	25.7	042A00	042A00	042A00	042A00	
	MED	118A00	18.0	16.5	042A00	042A00	042A00	042A00	
		299A00	28.0	25.7	042A00	042A00	042A00	042A00	
	HIGH	118A00	18.0	16.5	042A00	042A00	042A00	042A00	
		299A00	28.0	25.7	042A00	042A00	042A00	042A00	

### LEGEND

—	— No Single Point Kit Required
<b>APP PWR</b>	— 208 / 230V / 460V / 575V
<b>C.O.</b>	— Convenience Outlet
<b>DD</b>	— Electric Drive X13 5 Speed/Torque Motor
<b>IFM</b>	— Indoor Fan Motor
<b>NOM PWR</b>	— 240V / 480V / 600V
<b>P.E.</b>	— Power Exhaust
<b>PWRD</b>	— Powered Convenience Outlet
<b>PWRD FR/UNIT</b>	— Powered from Unit
<b>UNPWRD</b>	— Unpowered Convenience Outlet

**ELECTRIC HEAT - ELECTRICAL DATA**  
**2-STAGE COOLING 2-SPEED INDOOR FAN WITH AND WITHOUT**  
**FACTORY-INSTALLED NON-FUSED DISCONNECT SWITCH**

UNIT SIZE	NOM. V-Ph-Hz	IFM TYPE	ELECTRIC HEATER PART NUMBER CRHEATER ****00	NOM PWR (kW)	APP PWR (kW)	SINGLE POINT KIT PART NUMBER CRSINGLE***A00			
						WITHOUT C.O. or UNPWRD C.O.		WITH PWRD C.O.	
						WITHOUT P.E.	WITH P.E. (pwrd fr/unit)	WITHOUT P.E.	WITH P.E. (pwrd fr/unit)
549J07D	208/230-3-60	STD	264A00	6.5	4.9/6.0	042A00	042A00	042A00	045A00
			117A00	10.4	7.8/9.6	043A00	043A00	043A00	043A00
			110A00	16.0	12.0/14.7	043A00	043A00	043A00	043A00
			117A00,117A00	21.0	15.8/19.3	045A00	045A00	045A00	045A00
			110A00,117A00	26.5	19.9/24.3	045A00	045A00	045A00	045A00
		MED	264A00	6.5	4.9/6.0	042A00	042A00	042A00	045A00
			117A00	10.4	7.8/9.6	043A00	043A00	043A00	043A00
			110A00	16.0	12.0/14.7	043A00	043A00	043A00	043A00
			117A00,117A00	21.0	15.8/19.3	045A00	045A00	045A00	045A00
			110A00,117A00	26.5	19.9/24.3	045A00	045A00	045A00	045A00
		HIGH	264A00	6.5	4.9/6.0	042A00	045A00	045A00	045A00
			117A00	10.4	7.8/9.6	043A00	043A00	043A00	043A00
	110A00		16.0	12.0/14.7	043A00	043A00	043A00	043A00	
	117A00,117A00		21.0	15.8/19.3	045A00	045A00	045A00	045A00	
	110A00,117A00		26.5	19.9/24.3	045A00	045A00	045A00	045A00	
	460-3-60	STD	265A00	6.0	5.5	042A00	042A00	042A00	042A00
			266A00	11.5	10.6	042A00	042A00	042A00	042A00
			267A00	14.0	12.9	042A00	042A00	042A00	042A00
			268A00	23.0	21.1	042A00	042A00	042A00	042A00
			269A00	25.5	23.4	042A00	042A00	042A00	042A00
		MED	265A00	6.0	5.5	042A00	042A00	042A00	042A00
			266A00	11.5	10.6	042A00	042A00	042A00	042A00
			267A00	14.0	12.9	042A00	042A00	042A00	042A00
			268A00	23.0	21.1	042A00	042A00	042A00	042A00
			269A00	25.5	23.4	042A00	042A00	042A00	042A00
		HIGH	265A00	6.0	5.5	042A00	042A00	042A00	042A00
			266A00	11.5	10.6	042A00	042A00	042A00	042A00
	267A00		14.0	12.9	042A00	042A00	042A00	042A00	
	268A00		23.0	21.1	042A00	042A00	042A00	042A00	
	269A00		25.5	23.4	042A00	048A00	048A00	048A00	
	575-3-60	STD	118A00	18.0	16.5	042A00	042A00	042A00	042A00
			299A00	28.0	25.7	042A00	042A00	042A00	042A00
		MED	118A00	18.0	16.5	042A00	042A00	042A00	042A00
			299A00	28.0	25.7	042A00	042A00	042A00	042A00
		HIGH	118A00	18.0	16.5	042A00	042A00	042A00	042A00
			299A00	28.0	25.7	042A00	042A00	042A00	042A00

**LEGEND**

- No Single Point Kit Required
- APP PWR** — 208 / 230V / 460V / 575V
- C.O.** — Convenience Outlet
- DD** — Electric Drive X13 5 Speed/Torque Motor
- IFM** — Indoor Fan Motor
- NOM PWR** — 240V / 480V / 600V
- P.E.** — Power Exhaust
- PWRD** — Powered Convenience Outlet
- PWRD FR/UNIT** — Powered from Unit
- UNPWRD** — Unpowered Convenience Outlet

# Electrical data (cont)

## ELECTRIC HEAT - ELECTRICAL DATA 2-STAGE COOLING SINGLE SPEED INDOOR FAN WITH AND WITHOUT FACTORY-INSTALLED NON-FUSED DISCONNECT SWITCH

UNIT SIZE	NOM. V-Ph-Hz	IFM TYPE	ELECTRIC HEATER PART NUMBER CRHEATER ****00	NOM PWR (kW)	APP PWR (kW)	SINGLE POINT KIT PART NUMBER CRSINGLE***A00			
						WITHOUT C.O. or UNPWRD C.O.		WITH PWRD C.O.	
						WITHOUT P.E.	WITH P.E. (pwrd fr/unit)	WITHOUT P.E.	WITH P.E. (pwrd fr/unit)
549J08D	208/230-3-60	STD	117A00	10.4	7.8/9.6	049A00	049A00	049A00	049A00
			110A00	16.0	12.0/14.7	049A00	049A00	049A00	049A00
			111A00	24.8	18.6/22.8	051A00	051A00	051A00	051A00
			112A00	32.0	24.0/29.4	051A00	051A00	051A00	051A00
		112A00,117A00	42.4	31.8/38.9	053A00	053A00	053A00	053A00	
		MED	117A00	10.4	7.8/9.6	049A00	049A00	049A00	049A00
			110A00	16.0	12.0/14.7	049A00	049A00	049A00	049A00
			111A00	24.8	18.6/22.8	051A00	051A00	051A00	051A00
			112A00	32.0	24.0/29.4	051A00	051A00	051A00	051A00
		112A00,117A00	42.4	31.8/38.9	053A00	053A00	053A00	053A00	
		HIGH	117A00	10.4	7.8/9.6	049A00	049A00	049A00	049A00
			110A00	16.0	12.0/14.7	049A00	049A00	049A00	049A00
	111A00		24.8	18.6/22.8	051A00	051A00	051A00	051A00	
	112A00		32.0	24.0/29.4	051A00	051A00	051A00	051A00	
	112A00,117A00	42.4	31.8/38.9	053A00	053A00	053A00	053A00		
	460-3-60	STD	116B00	13.9	12.8	047A00	047A00	047A00	047A00
			113B00	16.5	15.2	047A00	047A00	047A00	047A00
			114B00	27.8	25.5	047A00	050A00	050A00	050A00
			115B00	33.0	30.3	050A00	050A00	050A00	050A00
		MED	116B00	13.9	12.8	047A00	047A00	047A00	047A00
			113B00	16.5	15.2	047A00	047A00	047A00	047A00
			114B00	27.8	25.5	050A00	050A00	050A00	050A00
			115B00	33.0	30.3	050A00	050A00	050A00	050A00
		HIGH	116B00	13.9	12.8	047A00	047A00	047A00	047A00
			113B00	16.5	15.2	047A00	047A00	047A00	047A00
			114B00	27.8	25.5	050A00	050A00	050A00	050A00
			115B00	33.0	30.3	050A00	050A00	050A00	050A00
	575-3-60	STD	118A00	18.0	16.5	047A00	047A00	047A00	047A00
119A00			36.0	33.1	050A00	050A00	050A00	050A00	
MED		118A00	18.0	16.5	047A00	047A00	047A00	047A00	
		119A00	36.0	33.1	050A00	050A00	050A00	050A00	
HIGH		118A00	18.0	16.5	047A00	047A00	047A00	047A00	
		119A00	36.0	33.1	050A00	050A00	050A00	050A00	

### LEGEND

—	— No Single Point Kit Required
<b>APP PWR</b>	— 208 / 230V / 460V / 575V
<b>C.O.</b>	— Convenience Outlet
<b>DD</b>	— Electric Drive X13 5 Speed/Torque Motor
<b>IFM</b>	— Indoor Fan Motor
<b>NOM PWR</b>	— 240V / 480V / 600V
<b>P.E.</b>	— Power Exhaust
<b>PWRD</b>	— Powered Convenience Outlet
<b>PWRD FR/UNIT</b>	— Powered from Unit
<b>UNPWRD</b>	— Unpowered Convenience Outlet

**ELECTRIC HEAT - ELECTRICAL DATA**  
**2-STAGE COOLING 2-SPEED INDOOR FAN WITH AND WITHOUT**  
**FACTORY-INSTALLED NON-FUSED DISCONNECT SWITCH**

UNIT SIZE	NOM. V-Ph-Hz	IFM TYPE	ELECTRIC HEATER PART NUMBER CRHEATER ****00	NOM PWR (kW)	APP PWR (kW)	SINGLE POINT KIT PART NUMBER CRSINGLE***A00			
						WITHOUT C.O. or UNPWRD C.O.		WITH PWRD C.O.	
						WITHOUT P.E.	WITH P.E. (pwrd fr/unit)	WITHOUT P.E.	WITH P.E. (pwrd fr/unit)
549J08D	208/230-3-60	STD	117A00	10.4	7.8/9.6	049A00	049A00	049A00	049A00
			110A00	16.0	12.0/14.7	049A00	049A00	049A00	049A00
			111A00	24.8	18.6/22.8	051A00	051A00	051A00	051A00
			112A00	32.0	24.0/29.4	051A00	051A00	051A00	051A00
		112A00,117A00	42.4	31.8/38.9	053A00	053A00	053A00	053A00	
		MED	117A00	10.4	7.8/9.6	049A00	049A00	049A00	049A00
			110A00	16.0	12.0/14.7	049A00	049A00	049A00	049A00
			111A00	24.8	18.6/22.8	051A00	051A00	051A00	051A00
			112A00	32.0	24.0/29.4	051A00	051A00	051A00	051A00
		112A00,117A00	42.4	31.8/38.9	053A00	053A00	053A00	053A00	
		HIGH	117A00	10.4	7.8/9.6	049A00	049A00	049A00	049A00
			110A00	16.0	12.0/14.7	049A00	049A00	049A00	049A00
	111A00		24.8	18.6/22.8	051A00	051A00	051A00	051A00	
	112A00		32.0	24.0/29.4	051A00	051A00	051A00	051A00	
	112A00,117A00	42.4	31.8/38.9	053A00	053A00	053A00	053A00		
	460-3-60	STD	116B00	13.9	12.8	047A00	047A00	047A00	047A00
			113B00	16.5	15.2	047A00	047A00	047A00	047A00
			114B00	27.8	25.5	047A00	050A00	050A00	050A00
			115B00	33.0	30.3	050A00	050A00	050A00	050A00
		MED	116B00	13.9	12.8	047A00	047A00	047A00	047A00
			113B00	16.5	15.2	047A00	047A00	047A00	047A00
			114B00	27.8	25.5	050A00	050A00	050A00	050A00
			115B00	33.0	30.3	050A00	050A00	050A00	050A00
		HIGH	116B00	13.9	12.8	047A00	047A00	047A00	047A00
			113B00	16.5	15.2	047A00	047A00	047A00	047A00
			114B00	27.8	25.5	050A00	050A00	050A00	050A00
			115B00	33.0	30.3	050A00	050A00	050A00	050A00
	575-3-60	STD	118A00	18.0	16.5	047A00	047A00	047A00	047A00
119A00			36.0	33.1	050A00	050A00	050A00	050A00	
MED		118A00	18.0	16.5	047A00	047A00	047A00	047A00	
		119A00	36.0	33.1	050A00	050A00	050A00	050A00	
HIGH		118A00	18.0	16.5	047A00	047A00	047A00	047A00	
		119A00	36.0	33.1	050A00	050A00	050A00	050A00	

**LEGEND**

- No Single Point Kit Required
- APP PWR** — 208 / 230V / 460V / 575V
- C.O.** — Convenience Outlet
- DD** — Electric Drive X13 5 Speed/Torque Motor
- IFM** — Indoor Fan Motor
- NOM PWR** — 240V / 480V / 600V
- P.E.** — Power Exhaust
- PWRD** — Powered Convenience Outlet
- PWRD FR/UNIT** — Powered from Unit
- UNPWRD** — Unpowered Convenience Outlet

# Electrical data (cont)

## ELECTRIC HEAT - ELECTRICAL DATA 2-STAGE COOLING SINGLE SPEED INDOOR FAN WITH AND WITHOUT FACTORY-INSTALLED NON-FUSED DISCONNECT SWITCH

UNIT SIZE	NOM. V-Ph-Hz	IFM TYPE	ELECTRIC HEATER PART NUMBER CRHEATER ****00	NOM PWR (kW)	APP PWR (kW)	SINGLE POINT KIT PART NUMBER CRSINGLE***A00			
						WITHOUT C.O. or UNPWRD C.O.		WITH PWRD C.O.	
						WITHOUT P.E.	WITH P.E. (pwrd fr/unit)	WITHOUT P.E.	WITH P.E. (pwrd fr/unit)
549J09D	208/230-3-60	STD	117A00	10.4	7.8/9.6	049A00	049A00	049A00	049A00
			110A00	16.0	12.0/14.7	049A00	049A00	049A00	049A00
			111A00	24.8	18.6/22.8	051A00	051A00	051A00	051A00
			112A00	32.0	24.0/29.4	051A00	051A00	051A00	051A00
		112A00,117A00	42.4	31.8/38.9	053A00	053A00	053A00	053A00	
		MED	117A00	10.4	7.8/9.6	049A00	049A00	049A00	051A00
			110A00	16.0	12.0/14.7	049A00	049A00	049A00	051A00
			111A00	24.8	18.6/22.8	051A00	051A00	051A00	053A00
			112A00	32.0	24.0/29.4	051A00	051A00	051A00	053A00
		112A00,117A00	42.4	31.8/38.9	053A00	053A00	053A00	054A00	
		HIGH	117A00	10.4	7.8/9.6	049A00	049A00	049A00	051A00
			110A00	16.0	12.0/14.7	049A00	049A00	049A00	051A00
	111A00		24.8	18.6/22.8	051A00	051A00	051A00	053A00	
	112A00		32.0	24.0/29.4	051A00	051A00	051A00	053A00	
	112A00,117A00	42.4	31.8/38.9	053A00	053A00	053A00	054A00		
	460-3-60	STD	116B00	13.9	12.8	047A00	047A00	047A00	047A00
			113B00	16.5	15.2	047A00	047A00	047A00	047A00
			114B00	27.8	25.5	050A00	050A00	050A00	050A00
			115B00	33.0	30.3	050A00	050A00	050A00	050A00
		MED	116B00	13.9	12.8	047A00	047A00	047A00	047A00
			113B00	16.5	15.2	047A00	047A00	047A00	047A00
			114B00	27.8	25.5	050A00	050A00	050A00	050A00
			115B00	33.0	30.3	050A00	050A00	050A00	050A00
		HIGH	116B00	13.9	12.8	047A00	047A00	047A00	047A00
			113B00	16.5	15.2	047A00	047A00	047A00	047A00
			114B00	27.8	25.5	050A00	050A00	050A00	050A00
			115B00	33.0	30.3	050A00	050A00	050A00	050A00
	575-3-60	STD	118A00	18.0	16.5	047A00	047A00	047A00	047A00
119A00			36.0	33.1	050A00	050A00	050A00	050A00	
MED		118A00	18.0	16.5	047A00	047A00	047A00	047A00	
		119A00	36.0	33.1	050A00	050A00	050A00	050A00	
HIGH		118A00	18.0	16.5	047A00	047A00	047A00	047A00	
		119A00	36.0	33.1	050A00	050A00	050A00	050A00	

### LEGEND

—	— No Single Point Kit Required
APP PWR	— 208 / 230V / 460V / 575V
C.O.	— Convenience Outlet
DD	— Electric Drive X13 5 Speed/Torque Motor
IFM	— Indoor Fan Motor
NOM PWR	— 240V / 480V / 600V
P.E.	— Power Exhaust
PWRD	— Powered Convenience Outlet
PWRD FR/UNIT	— Powered from Unit
UNPWRD	— Unpowered Convenience Outlet

**ELECTRIC HEAT - ELECTRICAL DATA  
2-STAGE COOLING 2-SPEED INDOOR FAN WITH AND WITHOUT  
FACTORY-INSTALLED NON-FUSED DISCONNECT SWITCH**

UNIT SIZE	NOM. V-Ph-Hz	IFM TYPE	ELECTRIC HEATER PART NUMBER CRHEATER ****00	NOM PWR (kW)	APP PWR (kW)	SINGLE POINT KIT PART NUMBER CRSINGLE***A00			
						WITHOUT C.O. or UNPWRD C.O.		WITH PWRD C.O.	
						WITHOUT P.E.	WITH P.E. (pwrd fr/unit)	WITHOUT P.E.	WITH P.E. (pwrd fr/unit)
549J09D	208/230-3-60	STD	117A00	10.4	7.8/9.6	049A00	049A00	049A00	049A00
			110A00	16.0	12.0/14.7	049A00	049A00	049A00	049A00
			111A00	24.8	18.6/22.8	051A00	051A00	051A00	051A00
			112A00	32.0	24.0/29.4	051A00	051A00	051A00	051A00
			112A00,117A00	42.4	31.8/38.9	053A00	053A00	053A00	053A00
		MED	117A00	10.4	7.8/9.6	049A00	049A00	049A00	051A00
			110A00	16.0	12.0/14.7	049A00	049A00	049A00	051A00
			111A00	24.8	18.6/22.8	051A00	051A00	051A00	053A00
			112A00	32.0	24.0/29.4	051A00	051A00	051A00	053A00
			112A00,117A00	42.4	31.8/38.9	053A00	053A00	053A00	054A00
		HIGH	117A00	10.4	7.8/9.6	049A00	049A00	049A00	051A00
			110A00	16.0	12.0/14.7	049A00	049A00	049A00	051A00
			111A00	24.8	18.6/22.8	051A00	051A00	051A00	053A00
			112A00	32.0	24.0/29.4	051A00	051A00	051A00	053A00
			112A00,117A00	42.4	31.8/38.9	053A00	053A00	053A00	054A00
	460-3-60	STD	116B00	13.9	12.8	047A00	047A00	047A00	047A00
			113B00	16.5	15.2	047A00	047A00	047A00	047A00
			114B00	27.8	25.5	050A00	050A00	050A00	050A00
			115B00	33.0	30.3	050A00	050A00	050A00	050A00
			116B00	13.9	12.8	047A00	047A00	047A00	047A00
		MED	113B00	16.5	15.2	047A00	047A00	047A00	047A00
			114B00	27.8	25.5	050A00	050A00	050A00	050A00
			115B00	33.0	30.3	050A00	050A00	050A00	050A00
			116B00	13.9	12.8	047A00	047A00	047A00	047A00
			113B00	16.5	15.2	047A00	047A00	047A00	047A00
		HIGH	114B00	27.8	25.5	050A00	050A00	050A00	050A00
			115B00	33.0	30.3	050A00	050A00	050A00	050A00
			116B00	13.9	12.8	047A00	047A00	047A00	047A00
			113B00	16.5	15.2	047A00	047A00	047A00	047A00
			114B00	27.8	25.5	050A00	050A00	050A00	050A00
	575-3-60	STD	118A00	18.0	16.5	047A00	047A00	047A00	047A00
			119A00	36.0	33.1	050A00	050A00	050A00	050A00
		MED	118A00	18.0	16.5	047A00	047A00	047A00	047A00
			119A00	36.0	33.1	050A00	050A00	050A00	050A00
		HIGH	118A00	18.0	16.5	047A00	047A00	047A00	047A00
			119A00	36.0	33.1	050A00	050A00	050A00	050A00

**LEGEND**

- No Single Point Kit Required
- APP PWR** — 208 / 230V / 460V / 575V
- C.O.** — Convenience Outlet
- DD** — Electric Drive X13 5 Speed/Torque Motor
- IFM** — Indoor Fan Motor
- NOM PWR** — 240V / 480V / 600V
- P.E.** — Power Exhaust
- PWRD** — Powered Convenience Outlet
- PWRD FR/UNIT** — Powered from Unit
- UNPWRD** — Unpowered Convenience Outlet

# Electrical data (cont)

## ELECTRIC HEAT - ELECTRICAL DATA 2-STAGE COOLING SINGLE SPEED INDOOR FAN WITH AND WITHOUT FACTORY-INSTALLED NON-FUSED DISCONNECT SWITCH

UNIT SIZE	NOM. V-Ph-Hz	IFM TYPE	ELECTRIC HEATER PART NUMBER CRHEATER ****00	NOM PWR (kW)	APP PWR (kW)	SINGLE POINT KIT PART NUMBER CRSINGLE***A00			
						WITHOUT C.O. or UNPWRD C.O.		WITH PWRD C.O.	
						WITHOUT P.E.	WITH P.E. (pwrd fr/unit)	WITHOUT P.E.	WITH P.E. (pwrd fr/unit)
549J12D	208/230-3-60	STD	288A00	10.0	7.5/9.2	049A00	049A00	049A00	049A00
			291A00	16.5	12.4/15.2	049A00	049A00	049A00	049A00
			294A00	33.5	25.2/30.8	051A00	051A00	051A00	051A00
			288A00,294A00	43.5	32.7/40.0	053A00	053A00	053A00	053A00
			291A00,294A00	50.0	37.6/45.9	053A00	053A00	053A00	053A00
		MED	288A00	10.0	7.5/9.2	049A00	049A00	049A00	051A00
			291A00	16.5	12.4/15.2	049A00	049A00	049A00	051A00
			294A00	33.5	25.2/30.8	051A00	051A00	051A00	053A00
			288A00,294A00	43.5	32.7/40.0	053A00	053A00	053A00	054A00
			291A00,294A00	50.0	37.6/45.9	053A00	053A00	053A00	054A00
		HIGH	288A00	10.0	7.5/9.2	051A00	051A00	051A00	051A00
			291A00	16.5	12.4/15.2	051A00	051A00	051A00	051A00
			294A00	33.5	25.2/30.8	053A00	053A00	053A00	053A00
			288A00,294A00	43.5	32.7/40.0	054A00	054A00	054A00	054A00
			291A00,294A00	50.0	37.6/45.9	054A00	054A00	054A00	054A00
	460-3-60	STD	289A00	10.0	9.2	047A00	047A00	047A00	047A00
			292A00	16.5	15.2	047A00	047A00	047A00	047A00
			295A00	33.5	30.8	050A00	050A00	050A00	050A00
			289A00,295A00	43.5	40.0	052A00	052A00	052A00	052A00
			292A00,295A00	50.0	45.9	052A00	052A00	052A00	052A00
		MED	289A00	10.0	9.2	047A00	047A00	047A00	047A00
			292A00	16.5	15.2	047A00	047A00	047A00	047A00
			295A00	33.5	30.8	050A00	050A00	050A00	050A00
			289A00,295A00	43.5	40.0	052A00	052A00	052A00	052A00
			292A00,295A00	50.0	45.9	052A00	052A00	052A00	052A00
		HIGH	289A00	10.0	9.2	047A00	047A00	047A00	047A00
			292A00	16.5	15.2	047A00	047A00	047A00	047A00
			295A00	33.5	30.8	050A00	050A00	050A00	050A00
			289A00,295A00	43.5	40.0	052A00	052A00	052A00	052A00
			292A00,295A00	50.0	45.9	052A00	052A00	052A00	052A00
	575-3-60	STD	290A00	10.0	9.2	047A00	047A00	047A00	047A00
			293A00	16.5	15.2	047A00	047A00	047A00	047A00
			296A00	33.5	30.8	047A00	050A00	047A00	050A00
			290A00,296A00	43.5	40.0	052A00	052A00	052A00	052A00
			293A00,296A00	50.0	45.9	052A00	052A00	052A00	052A00
		MED	290A00	10.0	9.2	047A00	047A00	047A00	047A00
293A00			16.5	15.2	047A00	047A00	047A00	047A00	
296A00			33.5	30.8	047A00	050A00	047A00	050A00	
290A00,296A00			43.5	40.0	052A00	052A00	052A00	052A00	
293A00,296A00			50.0	45.9	052A00	052A00	052A00	052A00	
HIGH		290A00	10.0	9.2	047A00	047A00	047A00	047A00	
		293A00	16.5	15.2	047A00	047A00	047A00	047A00	
		296A00	33.5	30.8	050A00	050A00	050A00	050A00	
		290A00,296A00	43.5	40.0	052A00	052A00	052A00	052A00	
		293A00,296A00	50.0	45.9	052A00	052A00	052A00	052A00	

### LEGEND

APP PWR	— 208 / 230V / 460V / 575V
C.O.	— Convenience Outlet
DD	— Electric Drive X13 5 Speed/Torque Motor
IFM	— Indoor Fan Motor
NOM PWR	— 240V / 480V / 600V
P.E.	— Power Exhaust
PWRD	— Powered Convenience Outlet
PWRD FR/UNIT	— Powered from Unit
UNPWRD	— Unpowered Convenience Outlet



**ELECTRIC HEAT - ELECTRICAL DATA 2-STAGE COOLING 2-SPEED INDOOR FAN WITH AND WITHOUT  
FACTORY-INSTALLED NON-FUSED DISCONNECT SWITCH**

UNIT SIZE	NOM. V-Ph-Hz	IFM TYPE	ELECTRIC HEATER PART NUMBER CRHEATER ****00	NOM PWR (kW)	APP PWR (kW)	SINGLE POINT KIT PART NUMBER CRSINGLE***A00			
						WITHOUT C.O. or UNPWRD C.O.		WITH PWRD C.O.	
						WITHOUT P.E.	WITH P.E. (pwrd fr/unit)	WITHOUT P.E.	WITH P.E. (pwrd fr/unit)
549J12D	208/230-3-60	STD	288A00	10.0	7.5/9.2	049A00	049A00	049A00	049A00
			291A00	16.5	12.4/15.2	049A00	049A00	049A00	049A00
			294A00	33.5	25.2/30.8	051A00	051A00	051A00	051A00
			288A00,294A00	43.5	32.7/40.0	053A00	053A00	053A00	053A00
			291A00,294A00	50.0	37.6/45.9	053A00	053A00	053A00	053A00
		MED	288A00	10.0	7.5/9.2	049A00	049A00	049A00	051A00
			291A00	16.5	12.4/15.2	049A00	049A00	049A00	051A00
			294A00	33.5	25.2/30.8	051A00	051A00	051A00	053A00
			288A00,294A00	43.5	32.7/40.0	053A00	053A00	053A00	054A00
			291A00,294A00	50.0	37.6/45.9	053A00	053A00	053A00	054A00
		HIGH	288A00	10.0	7.5/9.2	051A00	051A00	051A00	051A00
			291A00	16.5	12.4/15.2	051A00	051A00	051A00	051A00
			294A00	33.5	25.2/30.8	053A00	053A00	053A00	053A00
			288A00,294A00	43.5	32.7/40.0	054A00	054A00	054A00	054A00
			291A00,294A00	50.0	37.6/45.9	054A00	054A00	054A00	054A00
	460-3-60	STD	289A00	10.0	9.2	047A00	047A00	047A00	047A00
			292A00	16.5	15.2	047A00	047A00	047A00	047A00
			295A00	33.5	30.8	050A00	050A00	050A00	050A00
			289A00,295A00	43.5	40.0	052A00	052A00	052A00	052A00
			292A00,295A00	50.0	45.9	052A00	052A00	052A00	052A00
		MED	289A00	10.0	9.2	047A00	047A00	047A00	047A00
			292A00	16.5	15.2	047A00	047A00	047A00	047A00
			295A00	33.5	30.8	050A00	050A00	050A00	050A00
			289A00,295A00	43.5	40.0	052A00	052A00	052A00	052A00
			292A00,295A00	50.0	45.9	052A00	052A00	052A00	052A00
		HIGH	289A00	10.0	9.2	047A00	047A00	047A00	047A00
			292A00	16.5	15.2	047A00	047A00	047A00	047A00
			295A00	33.5	30.8	050A00	050A00	050A00	050A00
289A00,295A00			43.5	40.0	052A00	052A00	052A00	052A00	
292A00,295A00			50.0	45.9	052A00	052A00	052A00	052A00	
575-3-60	STD	290A00	10.0	9.2	047A00	047A00	047A00	047A00	
		293A00	16.5	15.2	047A00	047A00	047A00	047A00	
		296A00	33.5	30.8	047A00	050A00	050A00	050A00	
		290A00,296A00	43.5	40.0	052A00	052A00	052A00	052A00	
		293A00,296A00	50.0	45.9	052A00	052A00	052A00	052A00	
	MED	290A00	10.0	9.2	047A00	047A00	047A00	047A00	
		293A00	16.5	15.2	047A00	047A00	047A00	047A00	
		296A00	33.5	30.8	047A00	050A00	050A00	050A00	
		290A00,296A00	43.5	40.0	052A00	052A00	052A00	052A00	
		293A00,296A00	50.0	45.9	052A00	052A00	052A00	052A00	
	HIGH	290A00	10.0	9.2	047A00	047A00	047A00	047A00	
		293A00	16.5	15.2	047A00	047A00	047A00	047A00	
		296A00	33.5	30.8	050A00	050A00	050A00	050A00	
		290A00,296A00	43.5	40.0	052A00	052A00	052A00	052A00	
		293A00,296A00	50.0	45.9	052A00	052A00	052A00	052A00	

**LEGEND**  
**APP PWR** — 208 / 230V / 460V / 575V  
**C.O.** — Convenience Outlet  
**DD** — Electric Drive X13 5 Speed/Torque Motor  
**IFM** — Indoor Fan Motor  
**NOM PWR** — 240V / 480V / 600V  
**P.E.** — Power Exhaust  
**PWRD** — Powered Convenience Outlet  
**PWRD FR/UNIT** — Powered from Unit  
**UNPWRD** — Unpowered Convenience Outlet

# Electrical data (cont)

## 54904A — SINGLE STAGE COOLING WITH SINGLE SPEED INDOOR FAN MOTOR

V-PH-HZ	VOLTAGE RANGE		COMP (EA)		OFM (EA)		IFM		
	MIN	MAX	RLA	LRA	WATTS	FLA	TYPE	EFF at Full Load	FLA
208-1-60	187	253	16.6	79	190	1.0	DD-STD	78%	7.4
230-1-60	187	253	16.6	79	190	1.0	DD-STD	78%	7.4
208-3-60	187	253	10.4	73	190	1.0	DD-STD	78%	7.4
							MED	87%	5.2
							HIGH	89%	8.4
230-3-60	187	253	10.4	73	190	1.0	DD-STD	78%	7.4
							MED	87%	4.9
							HIGH	89%	8.3
460-3-60	414	506	5.8	38	190	0.5	DD-STD	78%	4.0
							MED	87%	2.5
							HIGH	89%	4.2
575-3-60	518	633	3.8	37	190	0.5	DD-STD	78%	4.0
							MED	72%	1.6
							HIGH	78%	2.0

## 54905A — SINGLE STAGE COOLING WITH SINGLE SPEED INDOOR FAN MOTOR

V-PH-HZ	VOLTAGE RANGE		COMP (EA)		OFM (EA)		IFM		
	MIN	MAX	RLA	LRA	WATTS	FLA	TYPE	EFF AT FULL LOAD	FLA
208-1-60	187	253	19.8	109	325	1.4	DD-STD	78%	7.4
230-1-60	187	253	19.8	109	325	1.4	DD-STD	78%	7.4
208-3-60	187	253	13.1	83	325	1.4	DD-STD	78%	7.4
							MED	87%	5.2
							HIGH	89%	8.4
230-3-60	187	253	13.1	83	325	1.4	DD-STD	78%	7.4
							MED	87%	4.9
							HIGH	89%	8.3
460-3-60	414	506	6.1	41	325	0.8	DD-STD	78%	4.0
							MED	87%	2.5
							HIGH	89%	4.2
575-3-60	518	633	4.4	33	325	0.8	DD-STD	78%	4.0
							MED	72%	1.6
							HIGH	78%	2.0

## 54906A — SINGLE STAGE COOLING WITH SINGLE SPEED INDOOR FAN MOTOR

V-PH-HZ	VOLTAGE RANGE		COMP (EA)		OFM (EA)		IFM		
	MIN	MAX	RLA	LRA	WATTS	FLA	TYPE	EFF AT FULL LOAD	FLA
208-1-60	187	253	25.0	134	325	1.4	DD-STD	78%	7.4
230-1-60	187	253	25.0	134	325	1.4	DD-STD	78%	7.4
208-3-60	187	253	15.9	110	325	1.4	DD-STD	78%	7.4
							MED	89%	8.4
							HIGH	89%	8.4
230-3-60	187	253	15.9	110	325	1.4	DD-STD	78%	7.4
							MED	89%	8.3
							HIGH	89%	8.3
460-3-60	414	506	7.0	52	325	0.8	DD-STD	78%	4.0
							MED	89%	4.2
							HIGH	89%	4.2
575-3-60	518	633	5.1	40	325	0.8	DD-STD	78%	4.0
							MED	78%	2.0
							HIGH	77%	2.8

### LEGEND

**EFF** — Efficiency  
**FLA** — Full Load Amps  
**IFM** — Indoor Fan Motor  
**LRA** — Locked Rotor Amps  
**RLA** — Rated Load Amps

**54907A — SINGLE STAGE COOLING WITH SINGLE SPEED INDOOR FAN MOTOR**

V-Ph-Hz	VOLTAGE RANGE		COMP (ea)		OFM (ea)		IFM		
	MIN	MAX	RLA	LRA	WATTS	FLA	TYPE	EFF at Full Load	FLA
208-3-60	187	253	19.6	136	325	1.5	STD	75%	5.2
							MED	79%	7.5
							HIGH	83%	13.6
230-3-60	187	253	19.6	136	325	1.5	STD	75%	5.2
							MED	79%	7.5
							HIGH	83%	12.7
460-3-60	414	506	8.2	66	325	0.8	STD	75%	2.6
							MED	79%	3.4
							HIGH	83%	6.4
575-3-60	518	633	6.6	55	325	0.6	STD	72%	1.6
							MED	77%	2.8
							HIGH	81%	5.6

**54907D — 2-STAGE COOLING WITH SINGLE SPEED INDOOR FAN MOTOR**

V-Ph-Hz	VOLTAGE RANGE		COMP (ea)		OFM (ea)		IFM		
	MIN	MAX	RLA	LRA	WATTS	FLA	TYPE	EFF at Full Load	FLA
208-3-60	187	253	18.9	136	325	1.5	STD	75%	5.2
							MED	79%	7.5
							HIGH	83%	13.6
230-3-60	187	253	18.9	136	325	1.5	STD	75%	5.2
							MED	79%	7.5
							HIGH	83%	12.7
460-3-60	414	506	9.7	66	325	0.8	STD	75%	2.6
							MED	79%	3.4
							HIGH	83%	6.4
575-3-60	518	633	7.7	55	325	0.6	STD	72%	1.6
							MED	77%	2.8
							HIGH	81%	5.6

**54907D — 2-STAGE COOLING WITH 2-SPEED INDOOR FAN MOTOR**

V-Ph-Hz	VOLTAGE RANGE		COMP (ea)		OFM (ea)		IFM		
	MIN	MAX	RLA	LRA	WATTS	FLA	TYPE	EFF at Full Load	FLA
208-3-60	187	253	18.9	136	325	1.5	STD	84%	5.8
							MED	85%	8.6
							HIGH	84%	13.6
230-3-60	187	253	18.9	136	325	1.5	STD	84%	5.6
							MED	85%	7.8
							HIGH	84%	12.7
460-3-60	414	506	9.7	66	325	0.8	STD	79%	2.9
							MED	85%	3.8
							HIGH	84%	6.4
575-3-60	518	633	7.7	55	325	0.6	STD	81%	2.8
							MED	84%	4.5
							HIGH	83%	6.2

**LEGEND**

- EFF** — Efficiency
- FLA** — Full Load Amps
- IFM** — Indoor Fan Motor
- LRA** — Locked Rotor Amps
- RLA** — Rated Load Amps

# Electrical data (cont)

## 54908D — 2-STAGE COOLING WITH SINGLE SPEED INDOOR FAN MOTOR

V-PH-HZ	VOLTAGE RANGE		COMP (CIR 1)		COMP (CIR 2)		OFM (EA)		IFM		
	MIN	MAX	RLA	LRA	RLA	LRA	WATTS	FLA	TYPE	EFF at Full Load	FLA
208-3-60	187	253	13.1	83	13.1	83	325	1.5	STD	75%	5.2
									MED	87%	6.9
									HIGH	87%	10.6
230-3-60	187	253	13.1	83	13.1	83	325	1.5	STD	75%	5.2
									MED	87%	6.7
									HIGH	87%	10.6
460-3-60	414	506	6.1	41	6.1	41	325	0.8	STD	75%	2.6
									MED	87%	3.4
									HIGH	87%	5.3
575-3-60	518	633	4.4	33	4.4	33	325	0.6	STD	72%	1.6
									MED	78%	2.0
									HIGH	77%	2.8

## 54908D — 2-STAGE COOLING WITH 2-SPEED INDOOR FAN MOTOR

V-PH-HZ	VOLTAGE RANGE		COMP 1		COMP 2		OFM (EA)		IFM		
	MIN	MAX	RLA	LRA	RLA	LRA	WATTS	FLA	TYPE	EFF at Full Load	FLA
208-3-60	187	253	13.1	83	13.1	83	325	1.5	STD	84%	5.8
									MED	77%	7.1
									HIGH	82%	10.8
230-3-60	187	253	13.1	83	13.1	83	325	1.5	STD	84%	5.6
									MED	77%	6.8
									HIGH	82%	9.8
460-3-60	414	506	6.1	41	6.1	41	325	0.8	STD	79%	2.9
									MED	77%	3.4
									HIGH	82%	4.9
575-3-60	518	633	4.4	33	4.4	33	325	0.6	STD	81%	2.8
									MED	80%	3.5
									HIGH	84%	4.5

### LEGEND

**EFF** — Efficiency  
**FLA** — Full Load Amps  
**IFM** — Indoor Fan Motor  
**LRA** — Locked Rotor Amps  
**RLA** — Rated Load Amps

**54909D — 2-STAGE COOLING WITH SINGLE SPEED INDOOR FAN MOTOR**

V-Ph-Hz	VOLTAGE RANGE		COMP (Cir 1)		COMP (Cir 2)		OFM (ea)		IFM		
	MIN	MAX	RLA	LRA	RLA	LRA	WATTS	FLA	TYPE	EFF at Full Load	FLA
208-3-60	187	253	16.0	91	13.7	83	1070	6.2	STD	69%	5.2
									MED	89%	8.4
									HIGH	87%	10.6
230-3-60	187	253	16.0	91	13.7	83	1070	6.2	STD	69%	5.2
									MED	89%	8.3
									HIGH	87%	10.6
460-3-60	414	506	7.0	46	6.2	41	1070	3.1	STD	69%	2.6
									MED	89%	4.2
									HIGH	87%	5.3
575-3-60	518	633	5.6	37	4.8	33	1070	2.5	STD	78%	2.0
									MED	77%	2.8
									HIGH	77%	2.8

**54909D — 2-STAGE COOLING WITH 2-SPEED INDOOR FAN MOTOR**

V-Ph-Hz	VOLTAGE RANGE		COMP 1		COMP 2		OFM (ea)		IFM		
	MIN	MAX	RLA	LRA	RLA	LRA	WATTS	FLA	TYPE	EFF at Full Load	FLA
208-3-60	187	253	16.0	91	13.7	83	1070	6.2	STD	77%	7.1
									MED	85%	8.6
									HIGH	82%	10.8
230-3-60	187	253	16.0	91	13.7	83	1070	6.2	STD	77%	6.8
									MED	85%	7.8
									HIGH	82%	9.8
460-3-60	414	506	7.0	46	6.2	41	1070	3.1	STD	77%	3.4
									MED	85%	3.8
									HIGH	82%	4.9
575-3-60	518	633	5.6	37	4.8	33	1070	2.5	STD	80%	3.5
									MED	84%	4.5
									HIGH	84%	4.5

**LEGEND**

- EFF** — Efficiency
- FLA** — Full Load Amps
- IFM** — Indoor Fan Motor
- LRA** — Locked Rotor Amps
- RLA** — Rated Load Amps

# Electrical data (cont)

## 54912D — 2-STAGE COOLING WITH SINGLE SPEED INDOOR FAN MOTOR

V-Ph-Hz	VOLTAGE RANGE		COMP (Cir 1)		COMP (Cir 2)		OFM (ea)		IFM		
	MIN	MAX	RLA	LRA	RLA	LRA	WATTS	FLA	TYPE	EFF at Full Load	FLA
208-3-60	187	253	15.6	110	15.9	110	280	1.5	STD	69%	5.20
									MED	89%	8.40
									HIGH	90%	20.40
230-3-60	187	253	15.6	110	15.9	110	280	1.5	STD	69%	5.20
									MED	89%	8.30
									HIGH	90%	20.46
460-3-60	414	506	7.7	52	7.7	52	280	0.8	STD	69%	2.60
									MED	89%	4.20
									HIGH	90%	10.20
575-3-60	518	633	5.8	39	5.7	39	280	0.7	STD	78%	2.00
									MED	77%	2.80
									HIGH	94%	9.00

## 54912D — 2-STAGE COOLING WITH 2-SPEED INDOOR FAN MOTOR

V-Ph-Hz	VOLTAGE RANGE		COMP 1		COMP 2		OFM (ea)		IFM		
	MIN	MAX	RLA	LRA	RLA	LRA	WATTS	FLA	TYPE	EFF at Full Load	FLA
208-3-60	187	253	15.6	110	15.9	110	280	1.5	STD	77%	7.1
									MED	85%	8.6
									HIGH	90%	20.4
230-3-60	187	253	15.6	110	15.9	110	280	1.5	STD	77%	6.8
									MED	85%	7.8
									HIGH	90%	20.4
460-3-60	414	506	7.7	52	7.7	52	280	0.8	STD	77%	3.4
									MED	85%	3.8
									HIGH	90%	10.2
575-3-60	518	633	5.8	39	5.7	39	280	0.7	STD	80%	3.5
									MED	84%	4.5
									HIGH	94%	9.0

### LEGEND

**EFF** — Efficiency  
**FLA** — Full Load Amps  
**IFM** — Indoor Fan Motor  
**LRA** — Locked Rotor Amps  
**RLA** — Rated Load Amps

## LEGEND AND NOTES

### Applicable for Electrical Data Tables on pages 80-103

#### LEGEND

<b>BRKR</b>	— Circuit Breaker
<b>C.O.</b>	— Convenience Outlet
<b>DISC</b>	— Disconnect
<b>EFF</b>	— Efficiency
<b>FLA</b>	— Full Load Amps
<b>LRA</b>	— Locked Rotor Amps
<b>MCA</b>	— Minimum Circuit Amps
<b>P.E.</b>	— Power Exhaust
<b>PWRD FR/UNIT</b>	— Powered from Unit
<b>PWRD C.O.</b>	— Powered Convenience Outlet
<b>UNPWR C.O.</b>	— Unpowered Convenience Outlet

#### NOTES:

1. In compliance with NEC requirements for multi-motor and combination load equipment (refer to NEC Articles 430 and 440), the overcurrent protective device for the unit shall be fuse or HACR breaker. Canadian units may be fuse or circuit breaker.
2. For 208/230 v units, where one value is shown it is the same for either 208 or 230 volts.
3. Unbalanced 3-Phase Supply Voltage  
Never operate a motor where a phase imbalance in supply voltage is greater than 2%. Use the following formula to determine the percentage of voltage imbalance.

$$\% \text{ Voltage Imbalance} = 100 \times \frac{\text{max voltage deviation from average voltage}}{\text{average voltage}}$$

Example: Supply voltage is 230-3-60



AB = 224 v

BC = 231 v

AC = 226 v

$$\text{Average Voltage} = \frac{(224 + 231 + 226)}{3} = \frac{681}{3} = 227$$

Determine maximum deviation from average voltage.

(AB) 227-224 = 3 v

(BC) 231-227 = 4 v

(AC) 227-226 = 1 v

Maximum deviation is 4 v.

Determine percent of voltage imbalance.

$$\% \text{ Voltage Imbalance} = 100 \times \frac{4}{227} = 1.78\%$$

This amount of phase imbalance is satisfactory as it is below the maximum allowable 2%.

**IMPORTANT:** If the supply voltage phase imbalance is more than 2%, contact your local electric utility company immediately.

# Electrical data (cont)

## 549J04A UNIT WIRE/FUSE OR HACR BREAKER SIZING DATA SINGLE STAGE COOLING WITH SINGLE SPEED INDOOR FAN MOTOR

NOM. V-Ph-Hz	IFM TYPE	ELEC. HTR			NO C.O. OR UNPWR C.O.							
		CRHEATER ****00	Nom (kW)	FLA	NO P.E.				WITH P.E. (PWRD FR/ UNIT)			
					MCA	Max Fuse or HACR Brkr	Disc. Size		MCA	Max Fuse or HACR Brkr	Disc. Size	
					FLA	LRA						FLA
208/230-1-60	DD-STD	NONE	—	—	30	45	29	88	32	45	31	90
		101A	3.3/4.4	15.9/18.3	49/52	60/60	47/50	104/106	51/54	60/60	49/52	106/108
		102A	4.9/6.5	23.5/27.1	59/63	60/70	56/60	112/115	61/65	70/70	58/62	114/117
		103B	6.5/8.7	31.4/36.3	69/75	70/80	65/70	119/124	71/77	80/80	67/73	121/126
		104B	7.9/10.5	37.9/43.8	77/84	80/90	72/79	126/132	79/86	80/90	75/81	128/134
		102A+102A	9.8/13.0	46.9/54.2	88/97	90/100	83/91	182/196	90/99	90/100	85/93	184/198
208/230-3-60	DD-STD	NONE	—	—	22	30	22	82	24	30	24	84
		101A	3.3/4.4	9.2/10.6	33/35	40/40	32/34	91/93	35/37	40/40	34/36	93/95
		102A	4.9/6.5	13.6/15.6	39/41	45/45	37/40	96/98	41/43	45/45	39/42	98/100
		103B	6.5/8.7	18.1/20.9	44/48	45/50	42/46	100/103	46/50	50/50	45/48	102/105
		104B	7.9/10.5	21.9/25.3	49/53	50/60	47/51	104/107	51/55	60/60	49/53	106/109
		105A	12.0/16.0	33.4/38.5	64/70	70/70	60/66	115/121	66/72	70/80	62/68	117/123
	MED	NONE	—	—	20/19	25/25	19/19	111	22/21	30/30	21/21	113
		101A	3.3/4.4	9.2/10.6	31/33	35/35	30/31	120/122	33/35	40/40	32/33	122/124
		102A	4.9/6.5	13.6/15.6	37/39	40/40	35/37	125/127	39/41	45/45	37/39	127/129
		103B	6.5/8.7	18.1/20.9	42/45	45/50	40/43	129/132	44/47	45/50	42/45	131/134
		104B	7.9/10.5	21.9/25.3	47/51	50/60	44/48	133/136	49/53	50/60	46/50	135/138
		105A	12.0/16.0	33.4/38.5	61/67	70/70	58/63	144/150	63/69	70/70	60/65	146/152
	HIGH	NONE	—	—	23/23	30/30	23/23	147	25/25	30/30	25/25	149
		101A	3.3/4.4	9.2/10.6	34/36	40/40	33/35	156/158	36/38	40/45	36/37	158/160
		102A	4.9/6.5	13.6/15.6	40/42	45/45	38/41	161/163	42/44	45/50	41/43	163/165
		103B	6.5/8.7	18.1/20.9	45/49	50/50	44/47	165/168	47/51	50/60	46/49	167/170
		104B	7.9/10.5	21.9/25.3	50/54	50/60	48/52	169/172	52/56	60/60	50/54	171/174
		105A	12.0/16.0	33.4/38.5	65/71	70/80	61/67	180/186	67/73	70/80	63/69	182/188
460-3-60	DD-STD	NONE	—	—	12	15	12	43	13	15	13	44
		106A	6.0	7.2	21	25	20	50	22	25	21	51
		107A	8.8	10.6	25	25	24	54	26	30	25	55
		108A	11.5	13.8	29	30	28	57	30	30	29	58
		109A	14.0	16.8	33	35	31	60	34	35	32	61
	MED	NONE	—	—	11	15	10	57	12	15	11	58
		106A	6.0	7.2	20	20	18	64	21	25	20	65
		107A	8.8	10.6	24	25	22	68	25	25	23	69
		108A	11.5	13.8	28	30	26	71	29	30	27	72
		109A	14.0	16.8	32	35	29	74	33	35	31	75
	HIGH	NONE	—	—	12	15	12	75	13	15	13	76
		106A	6.0	7.2	21	25	20	82	22	25	22	83
		107A	8.8	10.6	26	30	24	86	27	30	25	87
		108A	11.5	13.8	30	30	28	89	31	35	29	90
		109A	14.0	16.8	33	35	31	92	34	35	33	93
575-3-60	DD-STD	NONE	—	—	10	15	10	42	12	15	12	44
		297A	10.0	9.6	22	25	21	52	24	25	23	54
		298A	15.0	14.4	28	30	26	56	30	30	28	58
	MED	NONE	—	—	7	15	7	45	9	15	9	47
		297A	10.0	9.6	19	20	18	55	21	25	20	57
		298A	15.0	14.4	25	25	23	59	27	30	26	61
	HIGH	NONE	—	—	8	15	7	49	10	15	9	51
		297A	10.0	9.6	20	20	18	59	22	25	20	61
		298A	15.0	14.4	26	30	24	63	28	30	26	65

See Legend and Notes on page 79.



**549J04A UNIT WIRE/FUSE OR HACR BREAKER SIZING DATA**  
**SINGLE STAGE COOLING WITH SINGLE SPEED INDOOR FAN MOTOR (cont)**

NOM. V-Ph-Hz	IFM TYPE	ELEC. HTR			WITH PWRD C.O.								
		CRHEATER ****00	Nom (kW)	FLA	NO P.E.				WITH P.E. (pwrd fr/ unit)				
					MCA	Max Fuse or HACR Brkr	Disc. Size		MCA	Max Fuse or HACR Brkr	Disc. Size		
							FLA	LRA			FLA	LRA	
208/230-1-60	DD-STD	NONE	—	—	34	50	34	93	36	50	36	95	
		101A	3.3/4.4	15.9/18.3	54/57	60/60	53/55	109/111	56/59	60/60	55/58	111/113	
		102A	4.9/6.5	23.5/27.1	64/68	70/70	61/65	117/120	66/70	70/70	63/68	119/122	
		103B	6.5/8.7	31.4/36.3	74/80	80/80	70/76	124/129	76/82	80/90	73/78	126/131	
		104B	7.9/10.5	37.9/43.8	82/89	90/90	78/85	131/137	84/91	90/100	80/87	133/139	
		102A+102A	9.8/13.0	46.9/54.2	93/102	100/110	88/97	187/201	95/104	100/110	90/99	189/203	
208/230-3-60	DD-STD	NONE	—	—	27	30	27	87	29	35	29	89	
		101A	3.3/4.4	9.2/10.6	38/40	45/45	38/39	96/98	40/42	45/45	40/42	98/100	
		102A	4.9/6.5	13.6/15.6	44/46	50/50	43/45	101/103	46/48	50/50	45/47	103/105	
		103B	6.5/8.7	18.1/20.9	49/53	50/60	48/51	105/108	51/55	60/60	50/53	107/110	
		104B	7.9/10.5	21.9/25.3	54/58	60/60	52/56	109/112	56/60	60/60	55/58	111/114	
		105A	12.0/16.0	33.4/38.5	68/75	70/80	66/71	120/126	70/77	70/80	68/74	122/128	
	MED	NONE	—	—	24/24	30/30	25/24	116	26/26	30/30	27/26	118	
		101A	3.3/4.4	9.2/10.6	36/37	40/40	35/36	125/127	38/39	45/45	37/39	127/129	
		102A	4.9/6.5	13.6/15.6	41/44	45/45	40/42	130/132	43/46	45/50	42/44	132/134	
		103B	6.5/8.7	18.1/20.9	47/50	50/50	45/48	134/137	49/52	50/60	48/50	136/139	
		104B	7.9/10.5	21.9/25.3	52/56	60/60	50/53	138/141	54/58	60/60	52/56	140/143	
		105A	12.0/16.0	33.4/38.5	66/72	70/80	63/69	149/155	68/74	70/80	65/71	151/157	
	HIGH	NONE	—	—	28/28	30/30	28/28	152	30/29	35/35	30/30	154	
		101A	3.3/4.4	9.2/10.6	39/41	45/45	39/40	161/163	41/43	45/45	41/43	163/165	
		102A	4.9/6.5	13.6/15.6	45/47	50/50	44/46	166/168	47/49	50/50	46/48	168/170	
		103B	6.5/8.7	18.1/20.9	50/54	50/60	49/52	170/173	52/56	60/60	51/54	172/175	
		104B	7.9/10.5	21.9/25.3	55/59	60/60	53/57	174/177	57/61	60/70	56/59	176/179	
		105A	12.0/16.0	33.4/38.5	69/76	70/80	67/72	185/191	71/78	80/80	69/75	187/193	
	460-3-60	DD-STD	NONE	—	—	14	20	14	45	15	20	16	46
			106A	6.0	7.2	23	25	23	52	24	25	24	53
			107A	8.8	10.6	28	30	27	56	29	30	28	57
			108A	11.5	13.8	32	35	30	59	33	35	31	60
			109A	14.0	16.8	35	35	34	62	36	40	35	63
		MED	NONE	—	—	13	15	13	59	14	15	14	60
106A			6.0	7.2	22	25	21	66	23	25	22	67	
107A			8.8	10.6	26	30	25	70	27	30	26	71	
108A			11.5	13.8	30	30	29	73	31	35	30	74	
109A			14.0	16.8	34	35	32	76	35	35	33	77	
HIGH		NONE	—	—	15	20	15	77	16	20	16	78	
		106A	6.0	7.2	24	25	23	84	25	25	24	85	
		107A	8.8	10.6	28	30	27	88	29	30	28	89	
		108A	11.5	13.8	32	35	30	91	33	35	32	92	
		109A	14.0	16.8	36	40	34	94	37	40	35	95	
575-3-60		DD-STD	NONE	—	—	11	15	12	44	13	15	14	46
			297A	10.0	9.6	23	25	23	54	25	25	25	56
			298A	15.0	14.4	29	30	28	58	31	35	30	60
	MED	NONE	—	—	9	15	9	47	11	15	11	49	
		297A	10.0	9.6	21	25	20	57	23	25	22	59	
		298A	15.0	14.4	27	30	25	61	29	30	27	63	
	HIGH	NONE	—	—	9	15	9	51	11	15	11	53	
		297A	10.0	9.6	21	25	20	61	23	25	22	63	
		298A	15.0	14.4	27	30	26	65	29	30	28	67	

See Legend and Notes on page 79.

# Electrical data (cont)

## 549J05A UNIT WIRE/FUSE OR HACR BREAKER SIZING DATA SINGLE STAGE COOLING WITH SINGLE SPEED INDOOR FAN MOTOR

NOM. V-Ph-Hz	IFM TYPE	ELEC. HTR			NO C.O. or UNPWR C.O.								
					NO P.E.				WITH P.E. (pwrd fr/ unit)				
		CRHEATER ****00	Nom (kW)	FLA	MCA	Max Fuse or HACR Brkr	Disc. Size		MCA	Max Fuse or HACR Brkr	Disc. Size		
							FLA	LRA			FLA	LRA	
208/230-1-60	DD-STD	NONE	—	—	34	50	33	119	36	50	35	121	
		101A	3.3/4.4	15.9/18.3	54/57	60/60	51/54	135/137	56/59	60/60	53/56	137/139	
		103B	6.5/8.7	31.4/36.3	73/79	80/80	69/75	150/155	75/81	80/90	71/77	152/157	
		102A+102A	9.8/13.0	46.9/54.2	93/102	100/110	87/95	213/227	95/104	100/110	89/97	215/229	
		103B+103B	13.1/17.4	62.8/72.5	113/125	125/125	105/116	245/264	114/127	125/150	107/118	247/266	
		104B+104B	15.8/21.0	75.8/87.5	129/143	150/150	120/134	271/294	131/145	150/150	122/136	273/296	
208/230-3-60	DD-STD	NONE	—	—	26	30	25	93	28	40	27	95	
		102A	4.9/6.5	13.6/15.6	43/45	50/50	41/43	107/109	45/47	50/50	43/45	109/111	
		103B	6.5/8.7	18.1/20.9	48/52	50/60	46/49	111/114	50/54	50/60	48/51	113/116	
		105A	12.0/16.0	33.4/38.5	67/74	70/80	64/69	126/132	69/76	70/80	66/72	128/134	
		104B+104B	15.8/21.0	43.8/50.5	80/89	80/90	76/83	181/194	82/91	90/100	78/85	183/196	
	MED	NONE	—	—	23/23	30/30	23/22	122	25/25	30/30	25/24	124	
		102A	4.9/6.5	13.6/15.6	40/43	45/50	38/40	136/138	42/45	50/50	40/42	138/140	
		103B	6.5/8.7	18.1/20.9	46/49	50/50	43/46	140/143	48/51	50/60	46/49	142/145	
		105A	12.0/16.0	33.4/38.5	65/71	70/80	61/67	155/161	67/73	70/80	63/69	157/163	
		104B+104B	15.8/21.0	43.8/50.5	78/86	80/90	73/80	210/223	80/88	80/90	75/83	212/225	
	HIGH	NONE	—	—	27/27	30/30	26/26	158	29/28	40/40	29/28	160	
		102A	4.9/6.5	13.6/15.6	44/46	50/50	42/44	172/174	46/48	50/50	44/46	174/176	
		103B	6.5/8.7	18.1/20.9	49/53	50/60	47/50	176/179	51/55	60/60	49/52	178/181	
		105A	12.0/16.0	33.4/38.5	68/75	70/80	65/70	191/197	70/77	70/80	67/73	193/199	
		104B+104B	15.8/21.0	43.8/50.5	81/90	90/90	77/84	246/259	83/92	90/100	79/86	248/261	
	460-3-60	DD-STD	NONE	—	—	13	15	13	47	14	15	14	48
			106A	6.0	7.2	22	25	21	54	23	25	22	55
			108A	11.5	13.8	30	30	28	61	31	35	30	62
109A			14.0	16.8	34	35	32	64	35	35	33	65	
108A+108A			23.0	27.7	48	50	44	102	49	50	46	103	
MED		NONE	—	—	11	15	11	61	12	15	12	62	
		106A	6.0	7.2	20	20	19	68	21	25	20	69	
		108A	11.5	13.8	29	30	27	75	30	30	28	76	
		109A	14.0	16.8	32	35	30	78	33	35	31	79	
		108A+108A	23.0	27.7	46	50	43	116	47	50	44	117	
HIGH		NONE	—	—	13	15	13	79	14	20	14	80	
		106A	6.0	7.2	22	25	21	86	23	25	22	87	
		108A	11.5	13.8	30	30	29	93	31	35	30	94	
		109A	14.0	16.8	34	35	32	96	35	35	33	97	
		108A+108A	23.0	27.7	48	50	45	134	49	50	46	135	
575-3-60	DD-STD	NONE	—	—	11	15	11	39	13	15	13	41	
		297A	10.0	9.6	23	25	22	49	25	25	24	51	
		298A	15.0	14.4	29	30	27	53	31	35	29	55	
	MED	NONE	—	—	8	15	8	42	10	15	10	44	
		297A	10.0	9.6	20	20	19	52	22	25	21	54	
		298A	15.0	14.4	26	30	24	56	28	30	27	58	
	HIGH	NONE	—	—	9	15	8	46	11	15	10	48	
		297A	10.0	9.6	21	25	19	56	23	25	22	58	
		298A	15.0	14.4	27	30	25	60	29	30	27	62	

See Legend and Notes on page 79.

**549J05A UNIT WIRE/FUSE OR HACR BREAKER SIZING DATA**  
**SINGLE STAGE COOLING WITH SINGLE SPEED INDOOR FAN MOTOR (cont)**

NOM. V-Ph-Hz	IFM TYPE	ELEC. HTR			WITH PWRD C.O.							
		CRHEATER ****00	Nom (kW)	FLA	NO P.E.				WITH P.E. (pwrd fr/ unit)			
					MCA	Max Fuse or HACR Brkr	Disc. Size		MCA	Max Fuse or HACR Brkr	Disc. Size	
							FLA	LRA			FLA	LRA
208/230-1-60	DD-STD	NONE	—	—	39	50	38	124	41	60	41	126
		101A	3.3/4.4	15.9/18.3	59/62	60/70	57/59	140/142	61/64	70/70	59/62	142/144
		103B	6.5/8.7	31.4/36.3	78/84	80/90	75/80	155/160	80/86	80/90	77/82	157/162
		102A+102A	9.8/13.0	46.9/54.2	97/107	100/110	92/101	218/232	99/108	100/110	95/103	220/234
		103B+103B	13.1/17.4	62.8/72.5	117/129	125/150	111/122	250/269	119/131	125/150	113/124	252/271
		104B+104B	15.8/21.0	75.8/87.5	134/148	150/150	126/139	276/299	135/150	150/150	128/141	278/301
208/230-3-60	DD-STD	NONE	—	—	30	40	31	98	32	40	33	100
		102A	4.9/6.5	13.6/15.6	47/50	50/50	46/49	112/114	49/52	50/60	49/51	114/116
		103B	6.5/8.7	18.1/20.9	53/57	60/60	52/55	116/119	55/58	60/60	54/57	118/121
		105A	12.0/16.0	33.4/38.5	72/79	80/80	69/75	131/137	74/80	80/90	71/77	133/139
		104B+104B	15.8/21.0	43.8/50.5	85/94	90/100	81/89	186/199	87/95	90/100	83/91	188/201
	MED	NONE	—	—	28/28	40/40	28/28	127	30/30	40/40	30/30	129
		102A	4.9/6.5	13.6/15.6	45/47	50/50	44/46	141/143	47/49	50/50	46/48	143/145
		103B	6.5/8.7	18.1/20.9	51/54	60/60	49/52	145/148	53/56	60/60	51/54	147/150
		105A	12.0/16.0	33.4/38.5	70/76	70/80	67/72	160/166	72/78	80/80	69/74	162/168
		104B+104B	15.8/21.0	43.8/50.5	83/91	90/100	79/86	215/228	85/93	90/100	81/88	217/230
	HIGH	NONE	—	—	31/31	40/40	32/32	163	33/33	45/45	34/34	165
		102A	4.9/6.5	13.6/15.6	48/51	50/60	47/50	177/179	50/53	50/60	50/52	179/181
		103B	6.5/8.7	18.1/20.9	54/57	60/60	53/56	181/184	56/59	60/60	55/58	183/186
		105A	12.0/16.0	33.4/38.5	73/79	80/80	70/76	196/202	75/81	80/90	72/78	198/204
		104B+104B	15.8/21.0	43.8/50.5	86/94	90/100	82/90	251/264	88/96	90/100	84/92	253/266
460-3-60	DD-STD	NONE	—	—	15	20	15	49	16	20	16	50
		106A	6.0	7.2	24	25	23	56	25	25	24	57
		108A	11.5	13.8	32	35	31	63	33	35	32	64
		109A	14.0	16.8	36	40	34	66	37	40	36	67
		108A+108A	23.0	27.7	50	50	47	104	51	60	48	105
	MED	NONE	—	—	14	15	13	63	15	20	14	64
		106A	6.0	7.2	23	25	22	70	24	25	23	71
		108A	11.5	13.8	31	35	29	77	32	35	30	78
		109A	14.0	16.8	35	35	33	80	36	40	34	81
		108A+108A	23.0	27.7	48	50	45	118	49	50	46	119
	HIGH	NONE	—	—	15	20	15	81	16	20	16	82
		106A	6.0	7.2	24	25	24	88	25	25	25	89
		108A	11.5	13.8	33	35	31	95	34	35	32	96
		109A	14.0	16.8	36	40	35	98	37	40	36	99
		108A+108A	23.0	27.7	50	50	47	136	51	60	48	137
575-3-60	DD-STD	NONE	—	—	12	15	13	41	14	20	15	43
		297A	10.0	9.6	24	25	24	51	26	30	26	53
		298A	15.0	14.4	30	30	29	55	32	35	31	57
	MED	NONE	—	—	10	15	10	44	12	15	12	46
		297A	10.0	9.6	22	25	21	54	24	25	23	56
		298A	15.0	14.4	28	30	26	58	30	30	29	60
	HIGH	NONE	—	—	10	15	10	48	12	15	12	50
		297A	10.0	9.6	22	25	21	58	24	25	23	60
		298A	15.0	14.4	28	30	27	62	30	30	29	64

See Legend and Notes on page 79.

# Electrical data (cont)

## 549J06A UNIT WIRE/FUSE OR HACR BREAKER SIZING DATA SINGLE STAGE COOLING WITH SINGLE SPEED INDOOR FAN MOTOR

NOM. V-Ph-Hz	IFM TYPE	ELEC. HTR			NO C.O. or UNPWR C.O.							
		CRHEATER ****00	Nom (kW)	FLA	MCA	Max Fuse or HACR Brkr	NO P.E.		WITH P.E. (pwrd fr/ unit)			
							FLA	LRA	MCA	Max Fuse or HACR Brkr	Disc. Size	
											FLA	LRA
208/230-1-60	DD-STD	NONE	—	—	41	60	39	144	42	60	41	146
		102A	4.9/6.5	23.5/27.1	70/74	80/80	66/70	168/171	72/76	80/80	68/72	170/173
		103B	6.5/8.7	31.4/36.3	80/86	80/100	75/81	175/180	82/88	90/100	77/83	177/182
		102A+102A	9.8/13.0	46.9/54.2	99/108	100/110	93/101	238/252	101/110	110/110	95/103	240/254
		103B+103B	13.1/17.4	62.8/72.5	119/131	125/150	111/122	270/289	121/133	125/150	113/124	272/291
		104B+104B	15.8/21.0	75.8/87.5	135/150	150/150	126/139	296/319	137/152	150/175	128/142	298/321
208/230-3-60	DD-STD	NONE	—	—	29	40	28	120	31	45	31	122
		102A	4.9/6.5	13.6/15.6	46/49	50/60	44/46	134/136	48/51	60/60	46/49	136/138
		104B	7.9/10.5	21.9/25.3	57/61	60/70	54/58	142/145	58/63	60/70	56/60	144/147
		105A	12.0/16.0	33.4/38.5	71/77	80/80	67/73	153/159	73/79	80/80	69/75	155/161
		104B+104B	15.8/21.0	43.8/50.5	84/92	90/100	79/86	208/221	86/94	90/100	81/89	210/223
		104B+105A	19.9/26.5	55.2/63.8	98/109	100/110	92/102	230/248	100/111	100/125	94/104	232/250
	MED	NONE	—	—	30/30	45/45	30/29	185	32/32	45/45	32/32	187
		102A	4.9/6.5	13.6/15.6	47/50	50/60	45/47	199/201	49/51	60/60	47/50	201/203
		104B	7.9/10.5	21.9/25.3	58/62	60/70	55/59	207/210	59/64	60/70	57/61	209/212
		105A	12.0/16.0	33.4/38.5	72/78	80/80	68/74	218/224	74/80	80/80	70/76	220/226
		104B+104B	15.8/21.0	43.8/50.5	85/93	90/100	80/88	273/286	87/95	90/100	82/90	275/288
		104B+105A	19.9/26.5	55.2/63.8	99/110	100/110	93/103	295/313	101/112	110/125	95/105	297/315
	HIGH	NONE	—	—	30/30	45/45	30/29	185	32/32	45/45	32/32	187
		102A	4.9/6.5	13.6/15.6	47/50	50/60	45/47	199/201	49/51	60/60	47/50	201/203
		104B	7.9/10.5	21.9/25.3	58/62	60/70	55/59	207/210	59/64	60/70	57/61	209/212
		105A	12.0/16.0	33.4/38.5	72/78	80/80	68/74	218/224	74/80	80/80	70/76	220/226
		104B+104B	15.8/21.0	43.8/50.5	85/93	90/100	80/88	273/286	87/95	90/100	82/90	275/288
		104B+105A	19.9/26.5	55.2/63.8	99/110	100/110	93/103	295/313	101/112	110/125	95/105	297/315
460-3-60	DD-STD	NONE	—	—	14	20	14	58	15	20	15	59
		106A	6.0	7.2	23	25	22	65	24	25	23	66
		108A	11.5	13.8	31	35	29	72	32	35	31	73
		109A	14.0	16.8	35	35	33	75	36	40	34	76
		108A+108A	23.0	27.7	49	50	45	113	50	50	47	114
		108A+109A	25.5	30.7	52	60	49	119	53	60	50	120
	MED	NONE	—	—	14	20	14	90	15	20	15	91
		106A	6.0	7.2	23	25	22	97	24	25	23	98
		108A	11.5	13.8	31	35	30	104	32	35	31	105
		109A	14.0	16.8	35	35	33	107	36	40	34	108
		108A+108A	23.0	27.7	49	50	46	145	50	50	47	146
		108A+109A	25.5	30.7	53	60	49	151	54	60	50	152
	HIGH	NONE	—	—	14	20	14	90	15	20	15	91
		106A	6.0	7.2	23	25	22	97	24	25	23	98
		108A	11.5	13.8	31	35	30	104	32	35	31	105
		109A	14.0	16.8	35	35	33	107	36	40	34	108
		108A+108A	23.0	27.7	49	50	46	145	50	50	47	146
		108A+109A	25.5	30.7	53	60	49	151	54	60	50	152
575-3-60	DD-STD	NONE	—	—	12	15	11	46	14	15	14	48
		298A	15.0	14.4	30	30	28	60	32	35	30	62
		301A	25.0	24.1	42	45	39	94	44	45	41	96
	MED	NONE	—	—	10	15	9	53	12	15	11	55
		298A	15.0	14.4	28	30	26	67	30	30	28	69
		301A	25.0	24.1	40	40	37	101	42	45	39	103
	HIGH	NONE	—	—	10	15	10	64	12	15	12	66
		298A	15.0	14.4	28	30	27	78	30	30	29	80
		301A	25.0	24.1	41	45	38	112	42	45	40	114

See Legend and Notes on page 79.

**549J06A UNIT WIRE/FUSE OR HACR BREAKER SIZING DATA**  
**SINGLE STAGE COOLING WITH SINGLE SPEED INDOOR FAN MOTOR (cont)**

NOM. V-Ph-Hz	IFM TYPE	ELEC. HTR			WITH PWRD C.O.							
		CRHEATER ****00	Nom (kW)	FLA	NO P.E.				WITH P.E. (pwrd fr/ unit)			
					MCA	Max Fuse or HACR Brkr	Disc. Size		MCA	Max Fuse or HACR Brkr	Disc. Size	
							FLA	LRA			FLA	LRA
208/230-1-60	DD-STD	NONE	—	—	45	60	44	149	47	60	47	151
		102A	4.9/6.5	23.5/27.1	75/79	80/80	71/76	173/176	77/81	80/90	74/78	175/178
		103B	6.5/8.7	31.4/36.3	85/91	100/100	81/86	180/185	86/93	100/100	83/88	182/187
		102A+102A	9.8/13.0	46.9/54.2	104/113	110/125	98/107	243/257	106/115	110/125	101/109	245/259
		103B+103B	13.1/17.4	62.8/72.5	124/136	125/150	117/128	275/294	126/138	150/150	119/130	277/296
		104B+104B	15.8/21.0	75.8/87.5	140/155	150/175	132/145	301/324	142/157	150/175	134/147	303/326
208/230-3-60	DD-STD	NONE	—	—	34	45	34	125	36	50	36	127
		102A	4.9/6.5	13.6/15.6	51/53	60/60	50/52	139/141	53/55	60/60	52/54	141/143
		104B	7.9/10.5	21.9/25.3	61/66	70/70	59/63	147/150	63/67	70/70	61/65	149/152
		105A	12.0/16.0	33.4/38.5	76/82	80/90	72/78	158/164	78/84	80/90	75/80	160/166
		104B+104B	15.8/21.0	43.8/50.5	89/97	90/100	84/92	213/226	91/99	100/100	86/94	215/228
		104B+105A	19.9/26.5	55.2/63.8	103/114	110/125	97/107	235/253	105/116	110/125	100/109	237/255
	MED	NONE	—	—	35/35	50/50	35/35	190	37/37	50/50	37/37	192
		102A	4.9/6.5	13.6/15.6	52/54	60/60	51/53	204/206	54/56	60/60	53/55	206/208
		104B	7.9/10.5	21.9/25.3	62/66	70/70	60/64	212/215	64/68	70/70	62/66	214/217
		105A	12.0/16.0	33.4/38.5	77/83	80/90	73/79	223/229	79/85	80/90	76/81	225/231
		104B+104B	15.8/21.0	43.8/50.5	90/98	90/100	85/93	278/291	92/100	100/100	88/95	280/293
		104B+105A	19.9/26.5	55.2/63.8	104/115	110/125	99/108	300/318	106/116	110/125	101/111	302/320
	HIGH	NONE	—	—	35/35	50/50	35/35	190	37/37	50/50	37/37	192
		102A	4.9/6.5	13.6/15.6	52/54	60/60	51/53	204/206	54/56	60/60	53/55	206/208
		104B	7.9/10.5	21.9/25.3	62/66	70/70	60/64	212/215	64/68	70/70	62/66	214/217
		105A	12.0/16.0	33.4/38.5	77/83	80/90	73/79	223/229	79/85	80/90	76/81	225/231
		104B+104B	15.8/21.0	43.8/50.5	90/98	90/100	85/93	278/291	92/100	100/100	88/95	280/293
		104B+105A	19.9/26.5	55.2/63.8	104/115	110/125	99/108	300/318	106/116	110/125	101/111	302/320
460-3-60	DD-STD	NONE	—	—	16	20	16	60	17	20	17	61
		106A	6.0	7.2	25	25	24	67	26	30	26	68
		108A	11.5	13.8	33	35	32	74	34	35	33	75
		109A	14.0	16.8	37	40	35	77	38	40	37	78
		108A+108A	23.0	27.7	51	60	48	115	52	60	49	116
		108A+109A	25.5	30.7	55	60	51	121	56	60	53	122
	MED	NONE	—	—	16	20	16	92	17	20	17	93
		106A	6.0	7.2	25	30	25	99	26	30	26	100
		108A	11.5	13.8	34	35	32	106	35	35	33	107
		109A	14.0	16.8	37	40	36	109	38	40	37	110
		108A+108A	23.0	27.7	51	60	48	147	52	60	49	148
		108A+109A	25.5	30.7	55	60	52	153	56	60	53	154
	HIGH	NONE	—	—	16	20	16	92	17	20	17	93
		106A	6.0	7.2	25	30	25	99	26	30	26	100
		108A	11.5	13.8	34	35	32	106	35	35	33	107
		109A	14.0	16.8	37	40	36	109	38	40	37	110
		108A+108A	23.0	27.7	51	60	48	147	52	60	49	148
		108A+109A	25.5	30.7	55	60	52	153	56	60	53	154
575-3-60	DD-STD	NONE	—	—	13	15	13	48	15	20	16	50
		298A	15.0	14.4	31	35	30	62	33	35	32	64
		301A	25.0	24.1	43	45	41	96	45	45	43	98
	MED	NONE	—	—	11	15	11	55	13	15	13	57
		298A	15.0	14.4	29	30	28	69	31	35	30	71
		301A	25.0	24.1	41	45	39	103	43	45	41	105
	HIGH	NONE	—	—	12	15	12	66	14	15	14	68
		298A	15.0	14.4	30	30	29	80	32	35	31	82
		301A	25.0	24.1	42	45	40	114	44	45	42	116

See Legend and Notes on page 79.

# Electrical data (cont)

## 549J07A UNIT WIRE/FUSE OR HACR BREAKER SIZING DATA SINGLE STAGE COOLING WITH SINGLE SPEED INDOOR FAN MOTOR

NOM. V-Ph-Hz	IFM TYPE	ELEC. HTR			NO C.O. or UNPWR C.O.								
		CRHEATER ****00	Nom (kW)	FLA	MCA	Max Fuse or HACR Brkr	NO P.E.		WITH P.E. (pwrd fr/ unit)				
							FLA	LRA	MCA	Max Fuse or HACR Brkr	Disc. Size		FLA
208/230-3-60	STD	NONE	—	—	33	50					32	161	
		264A	4.9/6.5	13.6/15.6	50/53	60/60	48/50	175/177	54/56	60/60	52/54	179/181	
		117A	7.8/10.4	21.7/25.0	60/64	60/70	57/61	183/186	64/68	70/80	61/65	187/190	
		110A	12.0/16.0	33.4/38.5	75/81	80/90	70/76	194/200	79/85	80/90	75/81	198/204	
		117A+117A	15.8/21.0	43.8/50.5	88/96	90/100	82/90	249/262	92/100	100/100	87/94	253/266	
	110A+117A	19.9/26.5	55.2/63.8	102/113	110/125	95/105	271/289	106/117	110/125	100/110	275/293		
	MED	NONE	—	—	35	50	35	198	39	50	39	202	
		264A	4.9/6.5	13.6/15.6	52/55	60/60	50/53	212/214	56/59	60/60	55/57	216/218	
		117A	7.8/10.4	21.7/25.0	63/67	70/70	60/63	220/223	66/71	80/80	64/68	224/227	
		110A	12.0/16.0	33.4/38.5	77/84	80/90	73/79	231/237	81/87	90/90	77/83	235/241	
		117A+117A	15.8/21.0	43.8/50.5	90/99	90/100	85/93	286/299	94/102	100/110	89/97	290/303	
	110A+117A	19.9/26.5	55.2/63.8	104/115	110/125	98/108	308/326	108/119	110/125	102/112	312/330		
	HIGH	NONE	—	—	42/41	60/50	42/41	230	45/44	60/60	46/45	234	
		264A	4.9/6.5	13.6/15.6	59/60	60/70	57/59	244/246	62/64	70/70	62/63	248/250	
		117A	7.8/10.4	21.7/25.0	69/72	80/80	67/69	252/255	72/76	80/80	71/74	256/259	
		110A	12.0/16.0	33.4/38.5	83/89	90/90	80/85	263/269	87/93	90/100	84/89	267/273	
		117A+117A	15.8/21.0	43.8/50.5	96/104	100/110	92/99	318/331	100/108	100/110	96/103	322/335	
	110A+117A	19.9/26.5	55.2/63.8	111/120	125/125	105/114	340/358	114/124	125/125	109/118	344/362		
	460-3-60	STD	NONE	—	—	15	20	14	79	17	20	16	81
			265A	6.0	7.2	24	25	23	86	26	30	25	88
			266A	11.5	13.8	32	35	30	93	34	35	32	95
267A			14.0	16.8	36	40	34	96	38	40	36	98	
268A			23.0	27.7	50	50	46	107	51	60	48	109	
269A			25.5	30.7	53	60	50	110	55	60	52	112	
MED		NONE	—	—	16	20	15	98	18	25	17	100	
		265A	6.0	7.2	25	30	23	105	27	30	26	107	
		266A	11.5	13.8	33	35	31	112	35	35	33	114	
		267A	14.0	16.8	37	40	35	115	39	40	37	117	
		268A	23.0	27.7	50	50	47	126	52	60	49	128	
269A		25.5	30.7	54	60	50	129	56	60	53	131		
HIGH		NONE	—	—	19	25	19	114	21	25	21	116	
		265A	6.0	7.2	28	30	27	121	30	30	29	123	
		266A	11.5	13.8	36	40	35	128	38	40	37	130	
		267A	14.0	16.8	40	40	38	131	42	45	40	133	
		268A	23.0	27.7	53	60	50	142	55	60	53	144	
269A		25.5	30.7	57	60	54	145	59	60	56	147		
575-3-60	STD	NONE	—	—	12	15	11	66	15	20	15	70	
		118A	18.0	17.3	33	35	31	83	37	40	35	87	
		299A	28.0	26.9	45	45	42	93	49	50	46	97	
	MED	NONE	—	—	13	15	12	81	17	20	17	85	
		118A	18.0	17.3	34	35	32	98	38	40	36	102	
		299A	28.0	26.9	46	50	43	108	50	50	47	112	
	HIGH	NONE	—	—	16	20	15	95	19	25	20	99	
		118A	18.0	17.3	37	40	35	112	41	45	40	116	
		299A	28.0	26.9	49	50	46	122	53	60	51	126	

See Legend and Notes on page 79.

**549J07A UNIT WIRE/FUSE OR HACR BREAKER SIZING DATA**  
**SINGLE STAGE COOLING WITH SINGLE SPEED INDOOR FAN MOTOR (cont)**

NOM. V-Ph-Hz	IFM TYPE	ELEC. HTR			WITH PWRD C.O.							
		CRHEATER ****00	Nom (kW)	FLA	NO P.E.				WITH P.E. (pwrd fr/ unit)			
					MCA	Max Fuse or HACR Brkr	Disc. Size		MCA	Max Fuse or HACR Brkr	Disc. Size	
							FLA	LRA			FLA	LRA
208/230-3-60	STD	NONE	—	—	38	50	37	166	42	60	42	170
		264A	4.9/6.5	13.6/15.6	55/57	60/60	53/55	180/182	59/61	60/70	58/60	184/186
		117A	7.8/10.4	21.7/25.0	65/69	70/80	62/66	188/191	69/73	80/80	67/71	192/195
		110A	12.0/16.0	33.4/38.5	80/86	80/90	76/82	199/205	84/90	90/90	80/86	203/209
		117A+117A	15.8/21.0	43.8/50.5	93/101	100/110	88/96	254/267	97/105	100/110	92/100	258/271
	110A+117A	19.9/26.5	55.2/63.8	107/118	110/125	101/111	276/294	111/122	125/125	105/115	280/298	
	MED	NONE	—	—	40	50	40	203	44	60	45	207
		264A	4.9/6.5	13.6/15.6	57/60	60/70	56/58	217/219	61/64	70/70	60/62	221/223
		117A	7.8/10.4	21.7/25.0	67/72	80/80	65/69	225/228	71/75	80/80	69/73	229/232
		110A	12.0/16.0	33.4/38.5	82/88	90/90	79/84	236/242	86/92	90/100	83/89	240/246
		117A+117A	15.8/21.0	43.8/50.5	95/103	100/110	91/98	291/304	99/107	100/110	95/103	295/308
	110A+117A	19.9/26.5	55.2/63.8	109/120	110/125	104/114	313/331	113/124	125/125	108/118	317/335	
	HIGH	NONE	—	—	46/45	60/60	47/46	235	50/49	60/60	52/50	239
		264A	4.9/6.5	13.6/15.6	63/65	70/80	63/64	249/251	67/69	80/80	67/68	253/255
		117A	7.8/10.4	21.7/25.0	73/77	80/80	72/75	257/260	77/81	80/90	76/79	261/264
		110A	12.0/16.0	33.4/38.5	88/94	90/100	86/90	268/274	92/97	100/100	90/95	272/278
		117A+117A	15.8/21.0	43.8/50.5	101/109	110/110	98/104	323/336	105/112	110/125	102/109	327/340
	110A+117A	19.9/26.5	55.2/63.8	115/125	125/125	111/119	345/363	119/129	125/150	115/124	349/367	
460-3-60	STD	NONE	—	—	17	20	17	81	19	25	19	83
		265A	6.0	7.2	26	30	25	88	28	30	27	90
		266A	11.5	13.8	34	35	33	95	36	40	35	97
		267A	14.0	16.8	38	40	36	98	40	40	38	100
		268A	23.0	27.7	52	60	49	109	54	60	51	111
	269A	25.5	30.7	55	60	52	112	57	60	54	114	
	MED	NONE	—	—	18	25	18	100	20	25	20	102
		265A	6.0	7.2	27	30	26	107	29	30	28	109
		266A	11.5	13.8	35	35	34	114	37	40	36	116
		267A	14.0	16.8	39	40	37	117	41	45	39	119
		268A	23.0	27.7	53	60	50	128	54	60	52	130
	269A	25.5	30.7	56	60	53	131	58	60	55	133	
	HIGH	NONE	—	—	21	25	21	116	23	30	23	118
		265A	6.0	7.2	30	30	29	123	32	35	32	125
		266A	11.5	13.8	38	40	37	130	40	40	39	132
		267A	14.0	16.8	42	45	40	133	44	45	43	135
		268A	23.0	27.7	56	60	53	144	57	60	55	146
	269A	25.5	30.7	59	60	56	147	61	70	59	149	
575-3-60	STD	NONE	—	—	13	15	13	68	17	20	17	72
		118A	18.0	17.3	35	35	33	85	39	40	37	89
		299A	28.0	26.9	47	50	44	95	51	60	48	99
	MED	NONE	—	—	14	20	14	83	18	20	19	87
		118A	18.0	17.3	36	40	34	100	40	40	38	104
		299A	28.0	26.9	48	50	45	110	52	60	49	114
	HIGH	NONE	—	—	17	20	17	97	21	25	22	101
		118A	18.0	17.3	39	40	37	114	43	45	42	118
		299A	28.0	26.9	51	60	48	124	55	60	53	128

See Legend and Notes on page 79.

# Electrical data (cont)

549J07D UNIT WIRE/FUSE OR HACR BREAKER SIZING DATA  
TWO STAGE COOLING WITH SINGLE SPEED INDOOR FAN MOTOR

NOM. V-Ph-Hz	IFM TYPE	ELEC. HTR			NO C.O. or UNPWR C.O.								
					NO P.E.				WITH P.E. (pwrd fr/ unit)				
		CRHEATER ****00	Nom (kW)	FLA	MCA	Max Fuse or HACR Brkr	Disc. Size		MCA	Max Fuse or HACR Brkr	Disc. Size		
							FLA	LRA			FLA	LRA	
208/230-3-60	STD	NONE	—	—	32	50	31	161	36	50	36	165	
		264A	4.9/6.5	13.6/15.6	49/52	60/60	47/49	175/177	53/56	60/60	51/53	179/181	
		117A	7.8/10.4	21.7/25.0	59/64	60/70	56/60	183/186	63/67	70/70	60/64	187/190	
		110A	12.0/16.0	33.4/38.5	74/80	80/80	70/75	194/200	78/84	80/90	74/80	198/204	
		117A+117A	15.8/21.0	43.8/50.5	87/95	90/100	82/89	249/262	91/99	100/100	86/94	253/266	
		110A+117A	19.9/26.5	55.2/63.8	101/112	110/125	95/105	271/289	105/116	110/125	99/109	275/293	
	MED	NONE	—	—	35	50	34	198	38	50	38	202	
		264A	4.9/6.5	13.6/15.6	52/54	60/60	49/52	212/214	55/58	60/60	54/56	216/218	
		117A	7.8/10.4	21.7/25.0	62/66	70/70	59/63	220/223	66/70	70/80	63/67	224/227	
		110A	12.0/16.0	33.4/38.5	76/83	80/90	72/78	231/237	80/87	80/90	77/82	235/241	
		117A+117A	15.8/21.0	43.8/50.5	89/98	90/100	84/92	286/299	93/102	100/110	89/96	290/303	
		110A+117A	19.9/26.5	55.2/63.8	104/114	110/125	97/107	308/326	107/118	110/125	102/112	312/330	
	HIGH	NONE	—	—	41/40	50/50	41/40	230	44/44	60/60	45/44	234	
		264A	4.9/6.5	13.6/15.6	58/59	60/60	56/58	244/246	61/63	70/70	61/62	248/250	
		117A	7.8/10.4	21.7/25.0	68/71	80/80	66/69	252/255	72/75	80/80	70/73	256/259	
		110A	12.0/16.0	33.4/38.5	82/88	90/90	79/84	263/269	86/92	90/100	84/88	267/273	
		117A+117A	15.8/21.0	43.8/50.5	95/103	100/110	91/98	318/331	99/107	100/110	96/102	322/335	
		110A+117A	19.9/26.5	55.2/63.8	110/120	110/125	104/113	340/358	113/123	125/125	109/118	344/362	
	460-3-60	STD	NONE	—	—	17	25	16	79	19	25	18	81
			265A	6.0	7.2	26	30	24	86	28	30	26	88
			266A	11.5	13.8	34	35	32	93	36	40	34	95
			267A	14.0	16.8	38	40	35	96	40	40	37	98
			268A	23.0	27.7	51	60	48	107	53	60	50	109
			269A	25.5	30.7	55	60	51	110	57	60	53	112
MED		NONE	—	—	18	25	17	98	19	25	19	100	
		265A	6.0	7.2	27	30	25	105	28	30	27	107	
		266A	11.5	13.8	35	40	33	112	37	40	35	114	
		267A	14.0	16.8	39	40	36	115	40	45	38	117	
		268A	23.0	27.7	52	60	49	126	54	60	51	128	
		269A	25.5	30.7	56	60	52	129	58	60	54	131	
HIGH		NONE	—	—	21	25	20	114	22	30	22	116	
		265A	6.0	7.2	30	30	29	121	31	35	31	123	
		266A	11.5	13.8	38	40	36	128	40	45	38	130	
		267A	14.0	16.8	42	45	40	131	43	45	42	133	
		268A	23.0	27.7	55	60	52	142	57	60	54	144	
		269A	25.5	30.7	59	60	56	145	61	70	58	147	
575-3-60	STD	NONE	—	—	13	20	12	66	17	20	16	70	
		118A	18.0	17.3	35	35	32	83	38	40	36	87	
		299A	28.0	26.9	47	50	43	93	50	50	47	97	
	MED	NONE	—	—	14	20	13	81	18	25	18	85	
		118A	18.0	17.3	36	40	33	98	40	40	38	102	
		299A	28.0	26.9	48	50	44	108	52	60	49	112	
	HIGH	NONE	—	—	17	20	17	95	21	25	21	99	
		118A	18.0	17.3	39	40	37	112	42	45	41	116	
		299A	28.0	26.9	51	60	48	122	54	60	52	126	

See Legend and Notes on page 79.



**549J07D UNIT WIRE/FUSE OR HACR BREAKER SIZING DATA  
TWO STAGE COOLING WITH SINGLE SPEED INDOOR FAN MOTOR (cont)**

NOM. V-Ph-Hz	IFM TYPE	ELEC. HTR			WITH PWRD C.O.							
		CRHEATER ****00	Nom (kW)	FLA	NO P.E.				WITH P.E. (pwrd fr/ unit)			
					MCA	Max Fuse or HACR Brkr	Disc. Size		MCA	Max Fuse or HACR Brkr	Disc. Size	
							FLA	LRA			FLA	LRA
208/230-3-60	STD	NONE	—	—	37	50	37	166	41	50	41	170
		264A	4.9/6.5	13.6/15.6	54/57	60/60	52/55	180/182	58/60	60/70	57/59	184/186
		117A	7.8/10.4	21.7/25.0	64/68	70/80	62/65	188/191	68/72	80/80	66/70	192/195
		110A	12.0/16.0	33.4/38.5	79/85	80/90	75/81	199/205	83/89	90/90	79/85	203/209
		117A+117A	15.8/21.0	43.8/50.5	92/100	100/100	87/95	254/267	96/104	100/110	91/99	258/271
	110A+117A	19.9/26.5	55.2/63.8	106/117	110/125	100/110	276/294	110/121	110/125	105/114	280/298	
	MED	NONE	—	—	39	50	39	203	43	60	44	207
		264A	4.9/6.5	13.6/15.6	56/59	60/60	55/57	217/219	60/63	70/70	59/62	221/223
		117A	7.8/10.4	21.7/25.0	67/71	70/80	64/68	225/228	70/74	80/80	69/72	229/232
		110A	12.0/16.0	33.4/38.5	81/88	90/90	78/84	236/242	85/91	90/100	82/88	240/246
		117A+117A	15.8/21.0	43.8/50.5	94/103	100/110	90/97	291/304	98/106	100/110	94/102	295/308
	110A+117A	19.9/26.5	55.2/63.8	108/119	110/125	103/113	313/331	112/123	125/125	107/117	317/335	
	HIGH	NONE	—	—	45/45	60/60	46/45	235	49/48	60/60	51/50	239
		264A	4.9/6.5	13.6/15.6	62/64	70/70	62/63	249/251	66/68	80/80	66/68	253/255
		117A	7.8/10.4	21.7/25.0	73/76	80/80	71/74	257/260	76/80	80/80	76/78	261/264
		110A	12.0/16.0	33.4/38.5	87/93	90/100	85/90	268/274	91/97	100/100	89/94	272/278
		117A+117A	15.8/21.0	43.8/50.5	100/108	100/110	97/103	323/336	104/112	110/125	101/108	327/340
	110A+117A	19.9/26.5	55.2/63.8	114/124	125/125	110/119	345/363	118/128	125/150	114/123	349/367	
460-3-60	STD	NONE	—	—	19	25	19	81	21	30	21	83
		265A	6.0	7.2	28	30	27	88	30	30	29	90
		266A	11.5	13.8	36	40	34	95	38	40	36	97
		267A	14.0	16.8	40	45	38	98	42	45	40	100
		268A	23.0	27.7	54	60	50	109	55	60	52	111
		269A	25.5	30.7	57	60	54	112	59	60	56	114
	MED	NONE	—	—	20	25	19	100	22	30	22	102
		265A	6.0	7.2	29	30	28	107	31	35	30	109
		266A	11.5	13.8	37	40	35	114	39	40	37	116
		267A	14.0	16.8	41	45	39	117	43	45	41	119
		268A	23.0	27.7	54	60	51	128	56	60	53	130
		269A	25.5	30.7	58	60	55	131	60	60	57	133
	HIGH	NONE	—	—	23	30	23	116	25	30	25	118
		265A	6.0	7.2	32	35	31	123	34	40	33	125
		266A	11.5	13.8	40	45	39	130	42	45	41	132
		267A	14.0	16.8	44	45	42	133	46	50	44	135
		268A	23.0	27.7	57	60	55	144	59	60	57	146
		269A	25.5	30.7	61	70	58	147	63	70	60	149
575-3-60	STD	NONE	—	—	15	20	14	68	18	25	18	72
		118A	18.0	17.3	36	40	34	85	40	40	38	89
		299A	28.0	26.9	48	50	45	95	52	60	49	99
	MED	NONE	—	—	16	20	15	83	20	25	20	87
		118A	18.0	17.3	37	40	35	100	41	45	40	104
		299A	28.0	26.9	49	50	46	110	53	60	51	114
	HIGH	NONE	—	—	19	25	19	97	22	25	23	101
		118A	18.0	17.3	40	40	39	114	44	45	43	118
		299A	28.0	26.9	52	60	50	124	56	60	54	128

See Legend and Notes on page 79.

# Electrical data (cont)

## 549J08D UNIT WIRE/FUSE OR HACR BREAKER SIZING DATA TWO STAGE COOLING WITH SINGLE SPEED INDOOR FAN MOTOR

NOM. V-Ph-Hz	IFM TYPE	ELEC. HTR			NO C.O. or UNPWR C.O.								
		CRHEATER ****00	Nom (kW)	FLA	NO P.E.				WITH P.E. (pwrd fr/ unit)				
					MCA	Max Fuse or HACR Brkr	Disc. Size		MCA	Max Fuse or HACR Brkr	Disc. Size		
							FLA	LRA			FLA	LRA	
208/230-3-60	STD	NONE	—	—	38	50	40	191	42	50	44	195	
		117A	7.8/10.4	21.7/25.0	65/69	70/70	65/68	213/216	69/73	70/80	69/73	217/220	
		110A	12.0/16.0	33.4/38.5	80/86	80/90	78/84	224/230	84/90	90/90	82/88	228/234	
		111A	18.6/24.8	51.7/59.7	103/113	110/125	99/108	243/251	107/117	110/125	103/113	247/255	
		112A	24.0/32.0	66.7/77.0	122/134	125/150	116/128	258/268	125/138	125/150	121/132	262/272	
		112A+117A	31.8/42.4	88.4/102.0	149/166	150/175	141/157	368/395	152/169	175/175	146/161	372/399	
	MED	NONE	—	—	40/40	50/50	42/41	229	44/43	50/50	46/46	233	
		117A	7.8/10.4	21.7/25.0	67/71	70/80	66/70	251/254	71/75	80/80	71/74	255/258	
		110A	12.0/16.0	33.4/38.5	82/88	90/90	80/86	262/268	85/92	90/100	84/90	266/272	
		111A	18.6/24.8	51.7/59.7	104/114	110/125	101/110	281/289	108/118	110/125	105/114	285/293	
		112A	24.0/32.0	66.7/77.0	123/136	125/150	118/130	296/306	127/140	150/150	123/134	300/310	
		112A+117A	31.8/42.4	88.4/102.0	150/167	150/175	143/159	406/433	154/171	175/175	148/163	410/437	
	HIGH	NONE	—	—	44	50	46	258	47	60	50	262	
		117A	7.8/10.4	21.7/25.0	71/75	80/80	71/75	280/283	74/79	80/80	75/79	284/287	
		110A	12.0/16.0	33.4/38.5	85/92	90/100	84/90	291/297	89/95	90/100	89/94	295/301	
		111A	18.6/24.8	51.7/59.7	108/118	110/125	105/114	310/318	112/122	125/125	110/119	314/322	
		112A	24.0/32.0	66.7/77.0	127/140	150/150	122/134	325/335	131/144	150/150	127/139	329/339	
		112A+117A	31.8/42.4	88.4/102.0	154/171	175/175	147/163	435/462	158/175	175/175	152/167	439/466	
	460-3-60	STD	NONE	—	—	18	20	19	95	20	25	21	97
			116B	13.9	16.7	39	40	38	112	41	45	40	114
			113B	16.5	19.8	43	45	42	115	45	45	44	117
			114B	27.8	33.4	60	60	57	128	62	70	59	130
			115B	33.0	39.7	68	70	65	135	70	70	67	137
			128B	41.7	50.2	81	90	77	145	83	90	79	147
MED		NONE	—	—	19	25	20	114	21	25	22	116	
		116B	13.9	16.7	40	40	39	131	42	45	41	133	
		113B	16.5	19.8	44	45	43	134	46	50	45	136	
		114B	27.8	33.4	61	70	58	147	63	70	60	149	
		115B	33.0	39.7	69	70	65	154	71	80	68	156	
		128B	41.7	50.2	82	90	78	164	84	90	80	166	
HIGH		NONE	—	—	21	25	22	129	23	25	24	131	
		116B	13.9	16.7	42	45	41	146	44	45	43	148	
		113B	16.5	19.8	46	50	45	149	48	50	47	151	
		114B	27.8	33.4	63	70	60	162	65	70	62	164	
		115B	33.0	39.7	71	80	68	169	73	80	70	171	
		128B	41.7	50.2	84	90	80	179	86	90	82	181	
575-3-60		STD	NONE	—	—	13	15	13	77	17	20	18	81
			118A	18.0	17.3	35	35	33	94	39	40	38	98
			119A	36.0	34.6	56	60	53	112	60	60	58	116
		MED	NONE	—	—	14	15	14	81	17	20	18	85
			118A	18.0	17.3	35	35	34	98	39	40	38	102
			119A	36.0	34.6	57	60	54	116	61	70	58	120
	HIGH	NONE	—	—	14	20	15	92	18	20	19	96	
		118A	18.0	17.3	36	40	35	109	40	40	39	113	
		119A	36.0	34.6	58	60	55	127	61	70	59	131	

See Legend and Notes on page 79.

**549J08D UNIT WIRE/FUSE OR HACR BREAKER SIZING DATA  
TWO STAGE COOLING WITH SINGLE SPEED INDOOR FAN MOTOR (cont)**

NOM. V-Ph-Hz	IFM TYPE	ELEC. HTR			WITH PWRD C.O.								
					NO P.E.				WITH P.E. (pwrd fr/ unit)				
		CRHEATER ****00	Nom (kW)	FLA	MCA	Max Fuse or HACR Brkr	Disc. Size		MCA	Max Fuse or HACR Brkr	Disc. Size		
							FLA	LRA			FLA	LRA	
208/230-3-60	STD	NONE	—	—	43	50	45	196	47	50	49	200	
		117A	7.8/10.4	21.7/25.0	70/74	70/80	70/74	218/221	74/78	80/80	74/78	222/225	
		110A	12.0/16.0	33.4/38.5	85/91	90/100	83/89	229/235	88/95	90/100	88/94	233/239	
		111A	18.6/24.8	51.7/59.7	108/118	110/125	105/114	248/256	111/121	125/125	109/118	252/260	
		112A	24.0/32.0	66.7/77.0	126/139	150/150	122/134	263/273	130/143	150/150	126/138	267/277	
		112A+117A	31.8/42.4	88.4/102.0	153/170	175/175	147/162	373/400	157/174	175/175	151/167	377/404	
	MED	NONE	—	—	45/44	50/50	47/47	234	48/48	60/60	51/51	238	
		117A	7.8/10.4	21.7/25.0	72/76	80/80	72/76	256/259	76/79	80/80	76/80	260/263	
		110A	12.0/16.0	33.4/38.5	86/93	90/100	85/91	267/273	90/96	90/100	90/95	271/277	
		111A	18.6/24.8	51.7/59.7	109/119	110/125	106/115	286/294	113/123	125/125	111/120	290/298	
		112A	24.0/32.0	66.7/77.0	128/141	150/150	124/135	301/311	132/144	150/150	128/140	305/315	
		112A+117A	31.8/42.4	88.4/102.0	155/172	175/175	149/164	411/438	159/176	175/200	153/168	415/442	
	HIGH	NONE	—	—	48	60	51	263	52	60	56	267	
		117A	7.8/10.4	21.7/25.0	75/80	80/80	76/80	285/288	79/83	80/90	81/84	289/292	
		110A	12.0/16.0	33.4/38.5	90/96	90/100	90/96	296/302	94/100	100/100	94/100	300/306	
		111A	18.6/24.8	51.7/59.7	113/123	125/125	111/120	315/323	117/127	125/150	115/124	319/327	
		112A	24.0/32.0	66.7/77.0	132/145	150/150	128/140	330/340	136/148	150/150	132/144	334/344	
		112A+117A	31.8/42.4	88.4/102.0	159/176	175/200	153/169	440/467	163/180	175/200	157/173	444/471	
	460-3-60	STD	NONE	—	—	21	25	21	97	22	25	23	99
			116B	13.9	16.7	41	45	41	114	43	45	43	116
			113B	16.5	19.8	45	45	44	117	47	50	46	119
			114B	27.8	33.4	62	70	60	130	64	70	62	132
			115B	33.0	39.7	70	70	67	137	72	80	69	139
			128B	41.7	50.2	83	90	79	147	85	90	81	149
MED		NONE	—	—	21	25	22	116	23	25	24	118	
		116B	13.9	16.7	42	45	42	133	44	45	44	135	
		113B	16.5	19.8	46	50	45	136	48	50	47	138	
		114B	27.8	33.4	63	70	61	149	65	70	63	151	
		115B	33.0	39.7	71	80	68	156	73	80	70	158	
		128B	41.7	50.2	84	90	80	166	86	90	82	168	
HIGH		NONE	—	—	23	25	24	131	25	30	27	133	
		116B	13.9	16.7	44	45	44	148	46	50	46	150	
		113B	16.5	19.8	48	50	47	151	50	50	49	153	
		114B	27.8	33.4	65	70	63	164	67	70	65	166	
		115B	33.0	39.7	73	80	70	171	75	80	72	173	
		128B	41.7	50.2	86	90	82	181	88	90	84	183	
575-3-60		STD	NONE	—	—	15	20	15	79	19	20	20	83
			118A	18.0	17.3	36	40	35	96	40	40	40	100
			119A	36.0	34.6	58	60	55	114	62	70	59	118
		MED	NONE	—	—	15	20	16	83	19	20	20	87
			118A	18.0	17.3	37	40	36	100	41	45	40	104
			119A	36.0	34.6	59	60	56	118	62	70	60	122
	HIGH	NONE	—	—	16	20	17	94	20	25	21	98	
		118A	18.0	17.3	38	40	37	111	41	45	41	115	
		119A	36.0	34.6	59	60	56	129	63	70	61	133	

See Legend and Notes on page 79.

# Electrical data (cont)

549J09D UNIT WIRE/FUSE OR HACR BREAKER SIZING DATA  
TWO STAGE COOLING WITH SINGLE SPEED INDOOR FAN MOTOR

NOM. V-Ph-Hz	IFM TYPE	ELEC. HTR			NO C.O. or UNPWR C.O.								
		CRHEATER ****00	Nom (kW)	FLA	NO P.E.				WITH P.E. (pwrd fr/ unit)				
					MCA	Max Fuse or HACR Brkr	Disc. Size		MCA	Max Fuse or HACR Brkr	Disc. Size		
							FLA	LRA			FLA	LRA	
208/230-3-60	STD	NONE	—	—	46	60	47	236	49	60	52	240	
		117A	7.8/10.4	21.7/25.0	73/77	80/80	72/76	258/261	76/81	80/90	77/80	262/265	
		110A	12.0/16.0	33.4/38.5	87/94	90/100	86/92	269/275	91/97	100/100	90/96	273/279	
		111A	18.6/24.8	51.7/59.7	110/120	110/125	107/116	288/296	114/124	125/125	111/120	292/300	
		112A	24.0/32.0	66.7/77.0	129/142	150/150	124/136	303/313	133/146	150/150	128/140	307/317	
		112A+117A	31.8/42.4	88.4/102.0	156/173	175/175	149/165	413/440	160/177	175/200	153/169	417/444	
	MED	NONE	—	—	49/49	60/60	51/51	278	53/52	60/60	55/55	282	
		117A	7.8/10.4	21.7/25.0	76/80	80/80	76/80	300/303	80/84	80/90	80/84	304/307	
		110A	12.0/16.0	33.4/38.5	91/97	100/100	89/95	311/317	94/101	100/110	94/99	315/321	
		111A	18.6/24.8	51.7/59.7	113/123	125/125	110/119	330/338	117/127	125/150	115/124	334/342	
		112A	24.0/32.0	66.7/77.0	132/145	150/150	128/139	345/355	136/149	150/150	132/144	349/359	
		112A+117A	31.8/42.4	88.4/102.0	159/176	175/200	153/168	455/482	163/180	175/200	157/173	459/486	
	HIGH	NONE	—	—	51	60	53	292	55	60	58	296	
		117A	7.8/10.4	21.7/25.0	78/82	80/90	78/82	314/317	82/86	90/90	83/87	318/321	
		110A	12.0/16.0	33.4/38.5	93/99	100/100	92/98	325/331	97/103	100/110	96/102	329/335	
		111A	18.6/24.8	51.7/59.7	116/126	125/150	113/122	344/352	119/129	125/150	117/127	348/356	
		112A	24.0/32.0	66.7/77.0	134/147	150/150	130/142	359/369	138/151	150/175	135/146	363/373	
		112A+117A	31.8/42.4	88.4/102.0	161/178	175/200	155/171	469/496	165/182	175/200	160/175	473/500	
	460-3-60	STD	NONE	—	—	21	25	22	118	23	25	24	120
			116B	13.9	16.7	42	45	41	135	44	45	43	137
			113B	16.5	19.8	46	50	45	138	48	50	47	140
114B			27.8	33.4	63	70	60	151	65	70	62	153	
115B			33.0	39.7	71	80	67	158	73	80	69	160	
128B			41.7	50.2	84	90	79	168	86	90	82	170	
MED		NONE	—	—	23	25	24	139	25	30	26	141	
		116B	13.9	16.7	44	45	43	156	45	45	45	158	
		113B	16.5	19.8	47	50	46	159	49	50	48	161	
		114B	27.8	33.4	64	70	62	172	66	70	64	174	
		115B	33.0	39.7	72	80	69	179	74	80	71	181	
		128B	41.7	50.2	85	90	81	189	87	90	83	191	
HIGH		NONE	—	—	24	30	25	146	26	30	27	148	
		116B	13.9	16.7	45	45	44	163	46	50	46	165	
		113B	16.5	19.8	49	50	48	166	50	50	50	168	
		114B	27.8	33.4	66	70	63	179	67	70	65	181	
		115B	33.0	39.7	73	80	70	186	75	80	73	188	
		128B	41.7	50.2	87	90	83	196	88	90	85	198	
575-3-60	STD	NONE	—	—	17	20	17	97	21	25	22	101	
		118A	18.0	17.3	38	40	37	114	42	45	41	118	
		119A	36.0	34.6	60	60	57	132	64	70	61	136	
	MED	NONE	—	—	18	20	18	108	21	25	22	112	
		118A	18.0	17.3	39	40	38	125	43	45	42	129	
		119A	36.0	34.6	61	70	58	143	65	70	62	147	
	HIGH	NONE	—	—	18	20	18	108	21	25	22	112	
		118A	18.0	17.3	39	40	38	125	43	45	42	129	
		119A	36.0	34.6	61	70	58	143	65	70	62	147	

See Legend and Notes on page 79.

**549J09D UNIT WIRE/FUSE OR HACR BREAKER SIZING DATA  
TWO STAGE COOLING WITH SINGLE SPEED INDOOR FAN MOTOR (cont)**

NOM. V-Ph-Hz	IFM TYPE	ELEC. HTR			WITH PWRD C.O.								
					NO P.E.				WITH P.E. (pwrd fr/ unit)				
		CRHEATER ****00	Nom (kW)	FLA	MCA	Max Fuse or HACR Brkr	Disc. Size		MCA	Max Fuse or HACR Brkr	Disc. Size		
							FLA	LRA			FLA	LRA	
208/230-3-60	STD	NONE	—	—	50	60	53	241	54	60	57	245	
		117A	7.8/10.4	21.7/25.0	77/82	80/90	78/82	263/266	81/85	90/90	82/86	267/270	
		110A	12.0/16.0	33.4/38.5	92/98	100/100	91/97	274/280	96/102	100/110	96/101	278/284	
		111A	18.6/24.8	51.7/59.7	115/125	125/125	112/121	293/301	119/129	125/150	117/126	297/305	
		112A	24.0/32.0	66.7/77.0	134/147	150/150	129/141	308/318	138/150	150/150	134/146	312/322	
		112A+117A	31.8/42.4	88.4/102.0	161/178	175/200	154/170	418/445	165/182	175/200	159/174	422/449	
	MED	NONE	—	—	54/53	60/60	56/56	283	57/57	70/70	61/61	287	
		117A	7.8/10.4	21.7/25.0	81/85	90/90	81/85	305/308	84/89	90/90	86/89	309/312	
		110A	12.0/16.0	33.4/38.5	95/102	100/110	95/101	316/322	99/105	100/110	99/105	320/326	
		111A	18.6/24.8	51.7/59.7	118/128	125/150	116/125	335/343	122/132	125/150	120/129	339/347	
		112A	24.0/32.0	66.7/77.0	137/150	150/150	133/145	350/360	141/154	150/175	138/149	354/364	
		112A+117A	31.8/42.4	88.4/102.0	164/181	175/200	158/174	460/487	168/185	175/200	162/178	464/491	
	HIGH	NONE	—	—	56	60	59	297	60	70	63	301	
		117A	7.8/10.4	21.7/25.0	83/87	90/90	84/88	319/322	87/91	90/100	88/92	323/326	
		110A	12.0/16.0	33.4/38.5	98/104	100/110	97/103	330/336	101/108	110/110	102/108	334/340	
		111A	18.6/24.8	51.7/59.7	120/130	125/150	118/128	349/357	124/134	125/150	123/132	353/361	
		112A	24.0/32.0	66.7/77.0	139/152	150/175	136/148	364/374	143/156	150/175	140/152	368/378	
		112A+117A	31.8/42.4	88.4/102.0	166/183	175/200	161/176	474/501	170/187	175/200	165/181	478/505	
	460-3-60	STD	NONE	—	—	23	25	24	120	25	30	26	122
			116B	13.9	16.7	44	45	43	137	46	50	46	139
			113B	16.5	19.8	48	50	47	140	50	50	49	142
114B			27.8	33.4	65	70	63	153	67	70	65	155	
115B			33.0	39.7	73	80	70	160	75	80	72	162	
128B			41.7	50.2	86	90	82	170	88	90	84	172	
MED		NONE	—	—	25	30	26	141	27	30	28	143	
		116B	13.9	16.7	46	50	45	158	48	50	47	160	
		113B	16.5	19.8	50	50	49	161	51	60	51	163	
		114B	27.8	33.4	67	70	65	174	68	70	67	176	
		115B	33.0	39.7	75	80	72	181	76	80	74	183	
		128B	41.7	50.2	88	90	84	191	89	90	86	193	
HIGH		NONE	—	—	26	30	27	148	28	30	29	150	
		116B	13.9	16.7	47	50	47	165	49	50	49	167	
		113B	16.5	19.8	51	60	50	168	53	60	52	170	
		114B	27.8	33.4	68	70	66	181	70	70	68	183	
		115B	33.0	39.7	76	80	73	188	77	80	75	190	
		128B	41.7	50.2	89	90	85	198	91	100	87	200	
575-3-60		STD	NONE	—	—	18	20	19	99	22	25	23	103
			118A	18.0	17.3	40	40	39	116	44	45	43	120
			119A	36.0	34.6	62	70	59	134	66	70	63	138
	MED	NONE	—	—	19	25	20	110	23	25	24	114	
		118A	18.0	17.3	41	45	40	127	45	45	44	131	
		119A	36.0	34.6	63	70	60	145	66	70	64	149	
	HIGH	NONE	—	—	19	25	20	110	23	25	24	114	
		118A	18.0	17.3	41	45	40	127	45	45	44	131	
		119A	36.0	34.6	63	70	60	145	66	70	64	149	

See Legend and Notes on page 79.

# Electrical data (cont)

## 549J12D UNIT WIRE/FUSE OR HACR BREAKER SIZING DATA TWO STAGE COOLING WITH SINGLE SPEED INDOOR FAN MOTOR

NOM. V-Ph-Hz	IFM TYPE	ELEC. HTR			NO C.O. or UNPWR C.O.							
		CRHEATER ****00	Nom (kW)	FLA	NO P.E.				WITH P.E. (pwrd fr/ unit)			
					MCA	Max Fuse or HACR Brkr	Disc. Size		MCA	Max Fuse or HACR Brkr	Disc. Size	
						FLA	LRA			FLA	LRA	
208/230-3-60	STD	NONE	—	—	46	60	47	262	49	60	52	266
		288A	7.5/10.0	20.9/24.1	72/76	80/80	71/75	283/286	76/80	80/80	76/79	287/290
		291A	12.4/16.5	34.4/39.7	89/95	90/100	87/93	296/302	92/99	100/100	91/97	300/306
		294A	25.2/33.5	69.9/80.6	133/146	150/150	128/140	332/343	137/150	150/150	132/144	336/347
		288A+294A	32.7/43.5	90.7/104.7	159/177	175/200	152/168	443/471	163/180	175/200	156/172	447/475
		291A+294A	37.6/50.0	104.3/120.3	176/166	200/175	167/186	471/503	180/170	200/175	172/190	475/507
	MED	NONE	—	—	49/49	60/60	51/51	304	53/53	60/60	55/55	308
		288A	7.5/10.0	20.9/24.1	75/79	80/80	75/79	325/328	79/83	80/90	79/83	329/332
		291A	12.4/16.5	34.4/39.7	92/98	100/100	91/97	338/344	96/102	100/110	95/101	342/348
		294A	25.2/33.5	69.9/80.6	136/149	150/150	131/144	374/385	140/153	150/175	136/148	378/389
		288A+294A	32.7/43.5	90.7/104.7	162/180	175/200	155/171	485/513	166/183	175/200	160/176	489/517
		291A+294A	37.6/50.0	104.3/120.3	179/169	200/175	171/189	513/545	183/173	200/200	175/194	517/549
	HIGH	NONE	—	—	62	80	65	324	66	80	69	328
		288A	7.5/10.0	20.9/24.1	88/92	100/100	89/93	345/348	92/96	100/100	93/97	349/352
		291A	12.4/16.5	34.4/39.7	105/112	110/125	104/111	358/364	109/115	110/125	109/115	362/368
		294A	25.2/33.5	69.9/80.6	149/163	150/175	145/158	394/405	153/167	175/175	150/162	398/409
		288A+294A	32.7/43.5	90.7/104.7	175/193	175/200	169/185	505/533	179/197	200/200	174/190	509/537
		291A+294A	37.6/50.0	104.3/120.3	192/182	200/200	185/203	533/565	196/186	200/200	189/208	537/569
460-3-60	STD	NONE	—	—	23	30	23	125	25	30	26	127
		289A	10.0	12.0	38	40	37	137	40	40	39	139
		292A	16.5	19.9	48	50	46	145	49	50	48	147
		295A	33.5	40.3	73	80	70	165	75	80	72	167
		289A+295A	43.5	52.3	88	90	84	230	90	90	86	232
		292A+295A	50.0	60.2	83	90	93	245	85	90	95	247
	MED	NONE	—	—	24	30	25	146	26	30	27	148
		289A	10.0	12.0	39	40	39	158	41	45	41	160
		292A	16.5	19.9	49	50	48	166	51	60	50	168
		295A	33.5	40.3	75	80	72	186	77	80	74	188
		289A+295A	43.5	52.3	90	90	85	251	92	100	88	253
		292A+295A	50.0	60.2	85	90	95	266	86	90	97	268
	HIGH	NONE	—	—	31	40	32	156	33	40	34	158
		289A	10.0	12.0	46	50	46	168	48	50	48	170
		292A	16.5	19.9	56	60	55	176	58	60	57	178
		295A	33.5	40.3	81	90	79	196	83	90	81	198
		289A+295A	43.5	52.3	96	100	92	261	98	100	94	263
		292A+295A	50.0	60.2	91	100	101	276	93	100	104	278
575-3-60	STD	NONE	—	—	18	20	18	95	21	25	22	99
		290A	10.0	9.6	30	30	29	105	33	35	33	109
		293A	16.5	15.9	37	40	36	111	41	45	41	115
		296A	33.5	32.2	58	60	55	127	62	70	59	131
		290A+296A	43.5	41.9	70	70	66	179	74	80	70	183
		293A+296A	50.0	48.1	66	70	73	191	69	80	78	195
	MED	NONE	—	—	18	20	19	106	22	25	23	110
		290A	10.0	9.6	30	30	30	116	34	35	34	120
		293A	16.5	15.9	38	40	37	122	42	45	42	126
		296A	33.5	32.2	59	60	56	138	62	70	60	142
		290A+296A	43.5	41.9	71	80	67	190	74	80	71	194
		293A+296A	50.0	48.1	66	70	74	202	70	80	79	206
	HIGH	NONE	—	—	25	30	26	118	29	35	30	122
		290A	10.0	9.6	37	40	37	128	41	45	41	132
		293A	16.5	15.9	45	45	44	134	49	50	49	138
		296A	33.5	32.2	66	70	63	150	69	70	67	154
		290A+296A	43.5	41.9	78	80	74	202	81	90	79	206
		293A+296A	50.0	48.1	73	80	81	214	77	80	86	218

See Legend and Notes on page 79.

**549J12D UNIT WIRE/FUSE OR HACR BREAKER SIZING DATA  
TWO STAGE COOLING WITH SINGLE SPEED INDOOR FAN MOTOR (cont)**

NOM. V-Ph-Hz	IFM TYPE	ELEC. HTR			WITH PWRD C.O.							
		CRHEATER ****00	Nom (kW)	FLA	NO P.E.				WITH P.E. (pwrd fr/ unit)			
					MCA	Max Fuse or HACR Brkr	Disc. Size		MCA	Max Fuse or HACR Brkr	Disc. Size	
FLA	LRA	FLA	LRA									
208/230-3-60	STD	NONE	—	—	50	60	53	267	54	60	57	271
		288A	7.5/10.0	20.9/24.1	77/81	80/90	77/81	288/291	80/84	80/90	81/85	292/295
		291A	12.4/16.5	34.4/39.7	93/100	100/100	92/99	301/307	97/104	100/110	97/103	305/311
		294A	25.2/33.5	69.9/80.6	138/151	150/175	133/146	337/348	142/155	150/175	138/150	341/352
		288A+294A	32.7/43.5	90.7/104.7	164/181	175/200	157/173	448/476	168/185	175/200	162/178	452/480
	291A+294A	37.6/50.0	104.3/120.3	181/171	200/175	173/191	476/508	185/175	200/200	177/196	480/512	
	MED	NONE	—	—	54/54	60/60	57/56	309	57/57	70/70	61/61	313
		288A	7.5/10.0	20.9/24.1	80/84	80/90	81/84	330/333	84/87	90/90	85/89	334/337
		291A	12.4/16.5	34.4/39.7	97/103	100/110	96/102	343/349	100/107	100/110	101/106	347/353
		294A	25.2/33.5	69.9/80.6	141/154	150/175	137/149	379/390	145/158	150/175	141/154	383/394
		288A+294A	32.7/43.5	90.7/104.7	167/184	175/200	161/177	490/518	171/188	175/200	165/181	494/522
	291A+294A	37.6/50.0	104.3/120.3	184/174	200/200	177/195	518/550	188/178	200/200	181/199	522/554	
	HIGH	NONE	—	—	67	80	70	329	71	80	75	333
		288A	7.5/10.0	20.9/24.1	93/97	100/100	94/98	350/353	97/101	100/110	99/102	354/357
		291A	12.4/16.5	34.4/39.7	110/116	110/125	110/116	363/369	114/120	125/125	114/120	367/373
		294A	25.2/33.5	69.9/80.6	154/168	175/175	151/163	399/410	158/171	175/175	155/167	403/414
		288A+294A	32.7/43.5	90.7/104.7	180/198	200/200	175/191	510/538	184/201	200/225	179/195	514/542
	291A+294A	37.6/50.0	104.3/120.3	197/187	200/200	190/209	538/570	201/191	225/200	195/213	542/574	
460-3-60	STD	NONE	—	—	25	30	26	127	27	30	28	129
		289A	10.0	12.0	40	40	40	139	42	45	42	141
		292A	16.5	19.9	50	50	49	147	52	60	51	149
		295A	33.5	40.3	75	80	72	167	77	80	74	169
		289A+295A	43.5	52.3	90	90	86	232	92	100	88	234
	292A+295A	50.0	60.2	85	90	95	247	87	90	97	249	
	MED	NONE	—	—	27	30	28	148	28	30	30	150
		289A	10.0	12.0	42	45	42	160	43	45	44	162
		292A	16.5	19.9	51	60	51	168	53	60	53	170
		295A	33.5	40.3	77	80	74	188	79	80	76	190
		289A+295A	43.5	52.3	92	100	88	253	94	100	90	255
	292A+295A	50.0	60.2	87	90	97	268	89	100	99	270	
	HIGH	NONE	—	—	33	40	35	158	35	40	37	160
		289A	10.0	12.0	48	50	49	170	50	50	51	172
		292A	16.5	19.9	58	60	58	178	60	60	60	180
		295A	33.5	40.3	84	90	81	198	85	90	83	200
		289A+295A	43.5	52.3	99	100	95	263	100	100	97	265
	292A+295A	50.0	60.2	93	100	104	278	95	100	106	280	
575-3-60	STD	NONE	—	—	19	25	20	97	23	25	24	101
		290A	10.0	9.6	31	35	31	107	35	35	35	111
		293A	16.5	15.9	39	40	38	113	43	45	43	117
		296A	33.5	32.2	59	60	57	129	63	70	61	133
		290A+296A	43.5	41.9	72	80	68	181	75	80	72	185
	293A+296A	50.0	48.1	67	70	75	193	71	80	80	197	
	MED	NONE	—	—	20	25	21	108	24	25	25	112
		290A	10.0	9.6	32	35	32	118	36	40	36	122
		293A	16.5	15.9	40	40	39	124	44	45	43	128
		296A	33.5	32.2	60	60	58	140	64	70	62	144
		290A+296A	43.5	41.9	72	80	69	192	76	80	73	196
	293A+296A	50.0	48.1	68	70	76	204	72	80	81	208	
	HIGH	NONE	—	—	27	30	28	120	31	35	32	124
		290A	10.0	9.6	39	45	39	130	43	45	43	134
		293A	16.5	15.9	47	50	46	136	51	60	51	140
		296A	33.5	32.2	67	70	65	152	71	80	69	156
		290A+296A	43.5	41.9	79	80	76	204	83	90	81	208
	293A+296A	50.0	48.1	75	80	83	216	79	90	88	220	

See Legend and Notes on page 79.

# Electrical data (cont)

## 549J07D UNIT WIRE/FUSE OR HACR BREAKER SIZING DATA TWO STAGE COOLING WITH TWO SPEED INDOOR FAN MOTOR

NOM. V-Ph-Hz	IFM TYPE	ELEC. HTR			NO C.O. or UNPWR C.O.								
		CRHEATER ****00	Nom (kW)	FLA	MCA	Max Fuse or HACR Brkr	NO P.E.		WITH P.E. (pwrd fr/ unit)				
							Disc. Size		MCA	Max Fuse or HACR Brkr	Disc. Size		
					FLA	LRA					FLA	LRA	
208/230-3-60	STD	NONE	—	—	33/33	50/50	32/32	165	37/36	50/50	36/36	169	
		264A	4.9/6.5	13.6/15.6	50/52	60/60	47/50	179/181	54/56	60/60	52/54	183/185	
		117A	7.8/10.4	21.7/25.0	60/64	60/70	57/60	187/190	64/68	70/70	61/65	191/194	
		110A	12.0/16.0	33.4/38.5	75/81	80/90	70/76	198/204	78/85	80/90	75/80	202/208	
		117A+117A	15.8/21.0	43.8/50.5	88/96	90/100	82/90	253/266	91/100	100/100	87/94	257/270	
	110A+117A	19.9/26.5	55.2/63.8	102/112	110/125	95/105	275/293	106/116	110/125	100/109	279/297		
	MED	NONE	—	—	36/35	50/50	35/34	195	39/39	50/50	39/39	199	
		264A	4.9/6.5	13.6/15.6	53/54	60/60	51/52	209/211	56/58	60/60	55/56	213/215	
		117A	7.8/10.4	21.7/25.0	63/66	70/70	60/63	217/220	67/70	70/80	64/67	221/224	
		110A	12.0/16.0	33.4/38.5	77/83	80/90	73/78	228/234	81/87	90/90	78/83	232/238	
		117A+117A	15.8/21.0	43.8/50.5	90/98	90/100	85/92	283/296	94/102	100/110	90/97	287/300	
	110A+117A	19.9/26.5	55.2/63.8	105/115	110/125	99/108	305/323	108/118	110/125	103/112	309/327		
	HIGH	NONE	—	—	41/40	50/50	41/40	230	44/44	60/60	45/44	234	
		264A	4.9/6.5	13.6/15.6	58/59	60/60	56/58	244/246	61/63	70/70	61/62	248/250	
		117A	7.8/10.4	21.7/25.0	68/71	80/80	66/69	252/255	72/75	80/80	70/73	256/259	
		110A	12.0/16.0	33.4/38.5	82/88	90/90	79/84	263/269	86/92	90/100	84/88	267/273	
		117A+117A	15.8/21.0	43.8/50.5	95/103	100/110	91/98	318/331	99/107	100/110	96/102	322/335	
	110A+117A	19.9/26.5	55.2/63.8	110/120	110/125	104/113	340/358	113/123	125/125	109/118	344/362		
	460-3-60	STD	NONE	—	—	17	25	16	81	19	25	18	83
			265A	6.0	7.2	26	30	25	88	28	30	27	90
			266A	11.5	13.8	34	40	32	95	36	40	34	97
267A			14.0	16.8	38	40	36	98	40	40	38	100	
268A			23.0	27.7	52	60	48	109	54	60	50	111	
269A			25.5	30.7	55	60	52	112	57	60	54	114	
MED		NONE	—	—	18	25	17	97	20	25	19	99	
		265A	6.0	7.2	27	30	26	104	29	30	28	106	
		266A	11.5	13.8	35	40	33	111	37	40	35	113	
		267A	14.0	16.8	39	40	37	114	41	45	39	116	
		268A	23.0	27.7	53	60	49	125	54	60	51	127	
		269A	25.5	30.7	56	60	53	128	58	60	55	130	
HIGH		NONE	—	—	21	25	20	114	22	30	22	116	
		265A	6.0	7.2	30	30	29	121	31	35	31	123	
		266A	11.5	13.8	38	40	36	128	40	45	38	130	
		267A	14.0	16.8	42	45	40	131	43	45	42	133	
		268A	23.0	27.7	55	60	52	142	57	60	54	144	
		269A	25.5	30.7	59	60	56	145	61	70	58	147	
575-3-60	STD	NONE	—	—	14	20	13	68	18	25	18	72	
		118A	18.0	17.3	36	40	33	85	40	40	38	89	
		299A	28.0	26.9	48	50	44	95	52	60	49	99	
	MED	NONE	—	—	16	20	15	81	20	25	20	85	
		118A	18.0	17.3	37	40	35	98	41	45	40	102	
		299A	28.0	26.9	49	50	46	108	53	60	51	112	
	HIGH	NONE	—	—	17	20	17	95	21	25	22	99	
		118A	18.0	17.3	39	40	37	112	43	45	42	116	
		299A	28.0	26.9	51	60	48	122	55	60	53	126	

See Legend and Notes on page 79.



**549J07D UNIT WIRE/FUSE OR HACR BREAKER SIZING DATA  
TWO STAGE COOLING WITH TWO SPEED INDOOR FAN MOTOR (cont)**

NOM. V-Ph-Hz	IFM TYPE	ELEC. HTR			WITH PWRD C.O.							
		CRHEATER ****00	Nom (kW)	FLA	NO P.E.				WITH P.E. (pwrd fr/ unit)			
					MCA	Max Fuse or HACR Brkr	Disc. Size		MCA	Max Fuse or HACR Brkr	Disc. Size	
							FLA	LRA			FLA	LRA
208/230-3-60	STD	NONE	—	—	38/37	50/50	37/37	170	41/41	50/50	42/42	174
		264A	4.9/6.5	13.6/15.6	55/57	60/60	53/55	184/186	58/61	60/70	57/59	188/190
		117A	7.8/10.4	21.7/25.0	65/69	70/80	62/66	192/195	69/73	80/80	67/70	196/199
		110A	12.0/16.0	33.4/38.5	79/86	80/90	76/81	203/209	83/89	90/90	80/86	207/213
		117A+117A	15.8/21.0	43.8/50.5	92/101	100/110	88/95	258/271	96/104	100/110	92/100	262/275
	110A+117A	19.9/26.5	55.2/63.8	107/117	110/125	101/111	280/298	110/121	125/125	105/115	284/302	
	MED	NONE	—	—	40/40	50/50	41/40	200	44/43	60/60	45/44	204
		264A	4.9/6.5	13.6/15.6	57/59	60/60	56/58	214/216	61/63	70/70	61/62	218/220
		117A	7.8/10.4	21.7/25.0	68/71	80/80	66/68	222/225	71/75	80/80	70/73	226/229
		110A	12.0/16.0	33.4/38.5	82/88	90/90	79/84	233/239	86/92	90/100	83/88	237/243
		117A+117A	15.8/21.0	43.8/50.5	95/103	100/110	91/98	288/301	99/107	100/110	95/102	292/305
	110A+117A	19.9/26.5	55.2/63.8	109/119	110/125	104/113	310/328	113/123	125/125	108/117	314/332	
	HIGH	NONE	—	—	45/45	60/60	46/45	235	49/48	60/60	51/50	239
		264A	4.9/6.5	13.6/15.6	62/64	70/70	62/63	249/251	66/68	80/80	66/68	253/255
		117A	7.8/10.4	21.7/25.0	73/76	80/80	71/74	257/260	76/80	80/80	76/78	261/264
		110A	12.0/16.0	33.4/38.5	87/93	90/100	85/90	268/274	91/97	100/100	89/94	272/278
		117A+117A	15.8/21.0	43.8/50.5	100/108	100/110	97/103	323/336	104/112	110/125	101/108	327/340
	110A+117A	19.9/26.5	55.2/63.8	114/124	125/125	110/119	345/363	118/128	125/150	114/123	349/367	
460-3-60	STD	NONE	—	—	19	25	19	83	21	30	21	85
		265A	6.0	7.2	28	30	27	90	30	35	29	92
		266A	11.5	13.8	37	40	35	97	38	40	37	99
		267A	14.0	16.8	40	45	38	100	42	45	40	102
		268A	23.0	27.7	54	60	51	111	56	60	53	113
		269A	25.5	30.7	58	60	54	114	59	60	56	116
	MED	NONE	—	—	20	25	20	99	22	30	22	101
		265A	6.0	7.2	29	30	28	106	31	35	30	108
		266A	11.5	13.8	37	40	36	113	39	45	38	115
		267A	14.0	16.8	41	45	39	116	43	45	41	118
		268A	23.0	27.7	55	60	52	127	57	60	54	129
	269A	25.5	30.7	59	60	55	130	60	60	57	132	
	HIGH	NONE	—	—	23	30	23	116	25	30	25	118
		265A	6.0	7.2	32	35	31	123	34	40	33	125
		266A	11.5	13.8	40	45	39	130	42	45	41	132
		267A	14.0	16.8	44	45	42	133	46	50	44	135
		268A	23.0	27.7	57	60	55	144	59	60	57	146
	269A	25.5	30.7	61	70	58	147	63	70	60	149	
575-3-60	STD	NONE	—	—	16	20	15	70	20	25	20	74
		118A	18.0	17.3	37	40	35	87	41	45	40	91
		299A	28.0	26.9	49	50	46	97	53	60	51	101
	MED	NONE	—	—	17	20	17	83	21	25	22	87
		118A	18.0	17.3	39	40	37	100	43	45	42	104
		299A	28.0	26.9	51	60	48	110	55	60	53	114
	HIGH	NONE	—	—	19	25	19	97	23	30	24	101
		118A	18.0	17.3	41	45	39	114	45	45	44	118
		299A	28.0	26.9	53	60	50	124	57	60	55	128

See Legend and Notes on page 79.

# Electrical data (cont)

## 549J08D UNIT WIRE/FUSE OR HACR BREAKER SIZING DATA TWO STAGE COOLING WITH TWO SPEED INDOOR FAN MOTOR

NOM. V-Ph-Hz	IFM TYPE	ELEC. HTR			NO C.O. or UNPWR C.O.								
		CRHEATER ****00	Nom (kW)	FLA	NO P.E.				WITH P.E. (pwrd fr/ unit)				
					MCA	Max Fuse or HACR Brkr	Disc. Size		MCA	Max Fuse or HACR Brkr	Disc. Size		
							FLA	LRA			FLA	LRA	
208/230-3-60	STD	NONE	—	—	39/39	50/50	40/40	195	43/42	50/50	45/44	199	
		117A	7.8/10.4	21.7/25.0	66/70	70/70	65/69	217/220	70/74	70/80	70/73	221/224	
		110A	12.0/16.0	33.4/38.5	80/87	90/90	79/84	228/234	84/90	90/90	83/89	232/238	
		111A	18.6/24.8	51.7/59.7	103/113	110/125	100/109	247/255	107/117	110/125	104/113	251/259	
		112A	24.0/32.0	66.7/77.0	122/135	125/150	117/129	262/272	126/139	150/150	121/133	266/276	
		112A+117A	31.8/42.4	88.4/102.0	149/166	150/175	142/157	372/399	153/170	175/175	146/162	376/403	
	MED	NONE	—	—	40/40	50/50	42/41	199	44/44	50/50	46/46	203	
		117A	7.8/10.4	21.7/25.0	67/71	70/80	67/70	221/224	71/75	80/80	71/75	225/228	
		110A	12.0/16.0	33.4/38.5	82/88	90/90	80/86	232/238	86/92	90/100	85/90	236/242	
		111A	18.6/24.8	51.7/59.7	105/114	110/125	101/110	251/259	108/118	110/125	106/114	255/263	
		112A	24.0/32.0	66.7/77.0	123/136	125/150	118/130	266/276	127/140	150/150	123/134	270/280	
		112A+117A	31.8/42.4	88.4/102.0	151/167	175/175	143/159	376/403	154/171	175/175	148/163	380/407	
	HIGH	NONE	—	—	44/43	50/50	46/45	249	48/47	60/50	50/49	253	
		117A	7.8/10.4	21.7/25.0	71/74	80/80	71/74	271/274	75/78	80/80	75/78	275/278	
		110A	12.0/16.0	33.4/38.5	85/91	90/100	84/89	282/288	89/95	90/100	89/93	286/292	
		111A	18.6/24.8	51.7/59.7	108/117	110/125	105/114	301/309	112/121	125/125	110/118	305/313	
		112A	24.0/32.0	66.7/77.0	127/139	150/150	123/133	316/326	131/143	150/150	127/138	320/330	
		112A+117A	31.8/42.4	88.4/102.0	154/170	175/175	148/162	426/453	158/174	175/175	152/167	430/457	
	460-3-60	STD	NONE	—	—	19	20	19	97	20	25	21	99
			116B	13.9	16.7	40	40	38	114	41	45	40	116
			113B	16.5	19.8	43	45	42	117	45	45	44	119
			114B	27.8	33.4	60	60	58	130	62	70	60	132
			115B	33.0	39.7	68	70	65	137	70	70	67	139
			128B	41.7	50.2	81	90	77	147	83	90	79	149
MED		NONE	—	—	19	25	20	100	21	25	22	102	
		116B	13.9	16.7	40	40	39	117	42	45	41	119	
		113B	16.5	19.8	44	45	43	120	46	50	45	122	
		114B	27.8	33.4	61	70	58	133	63	70	60	135	
		115B	33.0	39.7	69	70	65	140	71	80	68	142	
		128B	41.7	50.2	82	90	78	150	84	90	80	152	
HIGH		NONE	—	—	21	25	22	125	22	25	24	127	
		116B	13.9	16.7	42	45	41	142	43	45	43	144	
		113B	16.5	19.8	45	45	44	145	47	50	46	147	
		114B	27.8	33.4	62	70	60	158	64	70	62	160	
		115B	33.0	39.7	70	70	67	165	72	80	69	167	
		128B	41.7	50.2	83	90	79	175	85	90	81	177	
575-3-60		STD	NONE	—	—	14	20	15	79	18	20	19	83
			118A	18.0	17.3	36	40	35	96	40	40	39	100
			119A	36.0	34.6	58	60	55	114	61	70	59	118
		MED	NONE	—	—	15	20	16	83	19	20	20	87
			118A	18.0	17.3	37	40	35	100	40	45	40	104
			119A	36.0	34.6	58	60	55	118	62	70	60	122
	HIGH	NONE	—	—	16	20	17	92	20	25	21	96	
		118A	18.0	17.3	38	40	37	109	42	45	41	113	
		119A	36.0	34.6	59	60	56	127	63	70	61	131	

See Legend and Notes on page 79.

**549J08D UNIT WIRE/FUSE OR HACR BREAKER SIZING DATA  
TWO STAGE COOLING WITH TWO SPEED INDOOR FAN MOTOR (cont)**

NOM. V-Ph-Hz	IFM TYPE	ELEC. HTR			WITH PWRD C.O.								
		CRHEATER ****00	Nom (kW)	FLA	NO P.E.				WITH P.E. (pwrd fr/ unit)				
					MCA	Max Fuse or HACR Brkr	Disc. Size		MCA	Max Fuse or HACR Brkr	Disc. Size		
							FLA	LRA			FLA	LRA	
208/230-3-60	STD	NONE	—	—	44/43	50/50	46/46	200	47/47	60/50	50/50	204	
		117A	7.8/10.4	21.7/25.0	71/75	80/80	71/74	222/225	74/78	80/80	75/79	226/229	
		110A	12.0/16.0	33.4/38.5	85/91	90/100	84/90	233/239	89/95	90/100	89/94	237/243	
		111A	18.6/24.8	51.7/59.7	108/118	110/125	105/114	252/260	112/122	125/125	110/119	256/264	
		112A	24.0/32.0	66.7/77.0	127/140	150/150	122/134	267/277	131/143	150/150	127/138	271/281	
		112A+117A	31.8/42.4	88.4/102.0	154/171	175/175	147/163	377/404	158/175	175/175	152/167	381/408	
	MED	NONE	—	—	45/45	50/50	47/47	204	49/48	60/60	52/51	208	
		117A	7.8/10.4	21.7/25.0	72/76	80/80	72/76	226/229	76/80	80/80	77/80	230/233	
		110A	12.0/16.0	33.4/38.5	87/93	90/100	86/91	237/243	90/96	90/100	90/96	241/247	
		111A	18.6/24.8	51.7/59.7	109/119	110/125	107/116	256/264	113/123	125/125	111/120	260/268	
		112A	24.0/32.0	66.7/77.0	128/141	150/150	124/135	271/281	132/145	150/150	128/140	275/285	
		112A+117A	31.8/42.4	88.4/102.0	155/172	175/175	149/164	381/408	159/176	175/200	153/169	385/412	
	HIGH	NONE	—	—	49/48	60/60	52/50	254	52/51	60/60	56/55	258	
		117A	7.8/10.4	21.7/25.0	76/79	80/80	76/79	276/279	79/83	80/90	81/83	280/283	
		110A	12.0/16.0	33.4/38.5	90/96	90/100	90/95	287/293	94/99	100/100	94/99	291/297	
		111A	18.6/24.8	51.7/59.7	113/122	125/125	111/119	306/314	117/126	125/150	115/123	310/318	
		112A	24.0/32.0	66.7/77.0	132/144	150/150	128/139	321/331	136/148	150/150	133/143	325/335	
		112A+117A	31.8/42.4	88.4/102.0	159/175	175/175	153/168	431/458	163/179	175/200	158/172	435/462	
	460-3-60	STD	NONE	—	—	21	25	22	99	23	25	24	101
			116B	13.9	16.7	42	45	41	116	44	45	43	118
			113B	16.5	19.8	46	50	45	119	47	50	47	121
114B			27.8	33.4	63	70	60	132	64	70	62	134	
115B			33.0	39.7	71	80	67	139	72	80	69	141	
128B			41.7	50.2	84	90	79	149	85	90	82	151	
MED		NONE	—	—	21	25	22	102	23	25	24	104	
		116B	13.9	16.7	42	45	42	119	44	45	44	121	
		113B	16.5	19.8	46	50	45	122	48	50	47	124	
		114B	27.8	33.4	63	70	61	135	65	70	63	137	
		115B	33.0	39.7	71	80	68	142	73	80	70	144	
		128B	41.7	50.2	84	90	80	152	86	90	82	154	
HIGH		NONE	—	—	23	25	24	127	25	30	26	129	
		116B	13.9	16.7	44	45	43	144	46	50	45	146	
		113B	16.5	19.8	48	50	47	147	49	50	49	149	
		114B	27.8	33.4	65	70	62	160	66	70	65	162	
		115B	33.0	39.7	73	80	70	167	74	80	72	169	
		128B	41.7	50.2	86	90	82	177	87	90	84	179	
575-3-60		STD	NONE	—	—	16	20	17	81	20	25	21	85
			118A	18.0	17.3	38	40	37	98	41	45	41	102
			119A	36.0	34.6	59	60	56	116	63	70	61	120
	MED	NONE	—	—	17	20	17	85	21	25	22	89	
		118A	18.0	17.3	38	40	37	102	42	45	42	106	
		119A	36.0	34.6	60	60	57	120	64	70	62	124	
	HIGH	NONE	—	—	18	20	19	94	22	25	23	98	
		118A	18.0	17.3	39	40	39	111	43	45	43	115	
		119A	36.0	34.6	61	70	58	129	65	70	63	133	

See Legend and Notes on page 79.

# Electrical data (cont)

## 549J09D UNIT WIRE/FUSE OR HACR BREAKER SIZING DATA TWO STAGE COOLING WITH TWO SPEED INDOOR FAN MOTOR

NOM. V-Ph-Hz	IFM TYPE	ELEC. HTR			NO C.O. or UNPWR C.O.								
					NO P.E.				WITH P.E. (pwrd fr/ unit)				
		CRHEATER ****00	Nom (kW)	FLA	MCA	Max Fuse or HACR Brkr	Disc. Size		MCA	Max Fuse or HACR Brkr	Disc. Size		
							FLA	LRA			FLA	LRA	
208/230-3-60	STD	NONE	—	—	47/47	60/60	49/49	233	51/51	60/60	54/53	237	
		117A	7.8/10.4	21.7/25.0	75/78	80/80	74/78	255/258	78/82	80/90	79/82	259/262	
		110A	12.0/16.0	33.4/38.5	89/95	90/100	88/93	266/272	93/99	100/100	92/98	270/276	
		111A	18.6/24.8	51.7/59.7	112/122	125/125	109/118	285/293	116/126	125/150	113/122	289/297	
		112A	24.0/32.0	66.7/77.0	131/143	150/150	126/138	300/310	135/147	150/150	131/142	304/314	
		112A+117A	31.8/42.4	88.4/102.0	158/175	175/175	151/166	410/437	162/178	175/200	155/171	414/441	
	MED	NONE	—	—	49/48	60/60	51/50	259	53/52	60/60	56/55	263	
		117A	7.8/10.4	21.7/25.0	76/79	80/80	76/79	281/284	80/83	80/90	81/83	285/288	
		110A	12.0/16.0	33.4/38.5	91/96	100/100	90/95	292/298	95/100	100/100	94/99	296/302	
		111A	18.6/24.8	51.7/59.7	114/123	125/125	111/119	311/319	117/127	125/150	115/123	315/323	
		112A	24.0/32.0	66.7/77.0	132/144	150/150	128/139	326/336	136/148	150/150	132/143	330/340	
		112A+117A	31.8/42.4	88.4/102.0	159/176	175/200	153/168	436/463	163/179	175/200	157/172	440/467	
	HIGH	NONE	—	—	51/50	60/60	54/53	283	55/54	60/60	58/57	287	
		117A	7.8/10.4	21.7/25.0	78/81	80/90	79/81	305/308	82/85	90/90	83/86	309/312	
		110A	12.0/16.0	33.4/38.5	93/98	100/100	92/97	316/322	97/102	100/110	96/101	320/326	
		111A	18.6/24.8	51.7/59.7	116/125	125/125	113/121	335/343	120/129	125/150	118/126	339/347	
		112A	24.0/32.0	66.7/77.0	135/146	150/150	130/141	350/360	138/150	150/150	135/145	354/364	
		112A+117A	31.8/42.4	88.4/102.0	162/178	175/200	155/170	460/487	165/181	175/200	160/174	464/491	
	460-3-60	STD	NONE	—	—	22	25	23	117	24	30	25	119
			116B	13.9	16.7	43	45	42	134	45	45	44	136
			113B	16.5	19.8	47	50	45	137	48	50	47	139
			114B	27.8	33.4	64	70	61	150	65	70	63	152
			115B	33.0	39.7	72	80	68	157	73	80	70	159
			128B	41.7	50.2	85	90	80	167	86	90	82	169
MED		NONE	—	—	22	25	23	130	24	30	25	132	
		116B	13.9	16.7	43	45	42	147	45	45	44	149	
		113B	16.5	19.8	47	50	46	150	49	50	48	152	
		114B	27.8	33.4	64	70	62	163	66	70	64	165	
		115B	33.0	39.7	72	80	69	170	74	80	71	172	
		128B	41.7	50.2	85	90	81	180	87	90	83	182	
HIGH		NONE	—	—	23	25	24	142	25	30	26	144	
		116B	13.9	16.7	44	45	44	159	46	50	46	161	
		113B	16.5	19.8	48	50	47	162	50	50	49	164	
		114B	27.8	33.4	65	70	63	175	67	70	65	177	
		115B	33.0	39.7	73	80	70	182	75	80	72	184	
		128B	41.7	50.2	86	90	82	192	88	90	84	194	
575-3-60		STD	NONE	—	—	18	20	19	99	22	25	23	103
			118A	18.0	17.3	40	40	39	116	44	45	43	120
			119A	36.0	34.6	62	70	59	134	65	70	63	138
		MED	NONE	—	—	19	25	20	108	23	25	24	112
			118A	18.0	17.3	41	45	40	125	45	45	44	129
			119A	36.0	34.6	63	70	60	143	66	70	64	147
	HIGH	NONE	—	—	19	25	20	108	23	25	24	112	
		118A	18.0	17.3	41	45	40	125	45	45	44	129	
		119A	36.0	34.6	63	70	60	143	66	70	64	147	

See Legend and Notes on page 79.

**549J09D UNIT WIRE/FUSE OR HACR BREAKER SIZING DATA  
TWO STAGE COOLING WITH TWO SPEED INDOOR FAN MOTOR (cont)**

NOM. V-Ph-Hz	IFM TYPE	ELEC. HTR			WITH PWRD C.O.								
		CRHEATER ****00	Nom (kW)	FLA	NO P.E.				WITH P.E. (PWRD FR/ UNIT)				
					MCA	Max Fuse or HACR Brkr	Disc. Size		MCA	Max Fuse or HACR Brkr	Disc. Size		
							FLA	LRA			FLA	LRA	
208/230-3-60	STD	NONE	—	—	52/52	60/60	55/55	238	56/56	60/60	59/59	242	
		117A	7.8/10.4	21.7/25.0	79/83	80/90	80/83	260/263	83/87	90/90	84/88	264/267	
		110A	12.0/16.0	33.4/38.5	94/100	100/100	93/99	271/277	98/104	100/110	98/103	275/281	
		111A	18.6/24.8	51.7/59.7	117/127	125/150	114/123	290/298	121/130	125/150	119/128	294/302	
		112A	24.0/32.0	66.7/77.0	136/148	150/150	132/143	305/315	139/152	150/175	136/148	309/319	
		112A+117A	31.8/42.4	88.4/102.0	163/179	175/200	157/172	415/442	167/183	175/200	161/176	419/446	
	MED	NONE	—	—	54/53	60/60	57/56	264	58/57	70/70	61/60	268	
		117A	7.8/10.4	21.7/25.0	81/84	90/90	82/85	286/289	85/88	90/90	86/89	290/293	
		110A	12.0/16.0	33.4/38.5	96/101	100/110	95/100	297/303	99/105	100/110	99/104	301/307	
		111A	18.6/24.8	51.7/59.7	118/128	125/150	116/124	316/324	122/131	125/150	121/129	320/328	
		112A	24.0/32.0	66.7/77.0	137/149	150/150	133/144	331/341	141/153	150/175	138/149	335/345	
		112A+117A	31.8/42.4	88.4/102.0	164/180	175/200	158/173	441/468	168/184	175/200	163/177	445/472	
	HIGH	NONE	—	—	56/55	60/60	59/58	288	60/59	70/70	64/62	292	
		117A	7.8/10.4	21.7/25.0	83/86	90/90	84/87	310/313	87/90	90/90	89/91	314/317	
		110A	12.0/16.0	33.4/38.5	98/103	100/110	98/102	321/327	102/107	110/110	102/107	325/331	
		111A	18.6/24.8	51.7/59.7	121/130	125/150	119/127	340/348	124/133	125/150	123/131	344/352	
		112A	24.0/32.0	66.7/77.0	139/151	150/175	136/147	355/365	143/155	150/175	140/151	359/369	
		112A+117A	31.8/42.4	88.4/102.0	166/182	175/200	161/175	465/492	170/186	175/200	165/180	469/496	
	460-3-60	STD	NONE	—	—	24	30	25	119	26	30	27	121
			116B	13.9	16.7	45	45	44	136	47	50	46	138
			113B	16.5	19.8	49	50	48	139	51	60	50	141
			114B	27.8	33.4	66	70	64	152	68	70	66	154
			115B	33.0	39.7	74	80	71	159	76	80	73	161
			128B	41.7	50.2	87	90	83	169	89	90	85	171
MED		NONE	—	—	25	30	26	132	26	30	28	134	
		116B	13.9	16.7	45	45	45	149	47	50	47	151	
		113B	16.5	19.8	49	50	48	152	51	60	50	154	
		114B	27.8	33.4	66	70	64	165	68	70	66	167	
		115B	33.0	39.7	74	80	71	172	76	80	73	174	
		128B	41.7	50.2	87	90	83	182	89	90	85	184	
HIGH		NONE	—	—	26	30	27	144	27	30	29	146	
		116B	13.9	16.7	46	50	46	161	48	50	48	163	
		113B	16.5	19.8	50	50	50	164	52	60	52	166	
		114B	27.8	33.4	67	70	65	177	69	70	67	179	
		115B	33.0	39.7	75	80	73	184	77	80	75	186	
		128B	41.7	50.2	88	90	85	194	90	90	87	196	
575-3-60		STD	NONE	—	—	20	25	21	101	24	25	25	105
			118A	18.0	17.3	42	45	41	118	45	45	45	122
			119A	36.0	34.6	63	70	61	136	67	70	65	140
		MED	NONE	—	—	21	25	22	110	25	30	26	114
			118A	18.0	17.3	43	45	42	127	46	50	46	131
			119A	36.0	34.6	64	70	62	145	68	70	66	149
	HIGH	NONE	—	—	21	25	22	110	25	30	26	114	
		118A	18.0	17.3	43	45	42	127	46	50	46	131	
		119A	36.0	34.6	64	70	62	145	68	70	66	149	

See Legend and Notes on page 79.

# Electrical data (cont)

## 549J12D UNIT WIRE/FUSE OR HACR BREAKER SIZING DATA TWO STAGE COOLING WITH TWO SPEED INDOOR FAN MOTOR

NOM. V-Ph-Hz	IFM TYPE	ELEC. HTR			NO C.O. or UNPWR C.O.							
		CRHEATER ****00	Nom (kW)	FLA	NO P.E.				WITH P.E. (pwrd fr/ unit)			
					MCA	Max Fuse or HACR Brkr	Disc. Size		MCA	Max Fuse or HACR Brkr	Disc. Size	
FLA	LRA	FLA	LRA									
208/230-3-60	STD	NONE	—	—	48/47	60/60	50/49	259	51/51	60/60	54/54	263
		288A	7.5/10.0	20.9/24.1	74/77	80/80	74/77	280/283	77/81	80/90	78/81	284/287
		291A	12.4/16.5	34.4/39.7	91/97	100/100	89/95	293/299	94/101	100/110	93/99	297/303
		294A	25.2/33.5	69.9/80.6	135/148	150/150	130/142	329/340	139/152	150/175	134/146	333/344
		288A+294A	32.7/43.5	90.7/104.7	161/178	175/200	154/170	440/468	165/182	175/200	158/174	444/472
	291A+294A	37.6/50.0	104.3/120.3	178/168	200/175	170/188	468/500	182/171	200/175	174/192	472/504	
	MED	NONE	—	—	49/48	60/60	51/50	285	53/52	60/60	56/55	289
		288A	7.5/10.0	20.9/24.1	75/78	80/80	75/78	306/309	79/82	80/90	80/82	310/313
		291A	12.4/16.5	34.4/39.7	92/98	100/100	91/96	319/325	96/102	100/110	95/100	323/329
		294A	25.2/33.5	69.9/80.6	136/149	150/150	132/143	355/366	140/153	150/175	136/147	359/370
		288A+294A	32.7/43.5	90.7/104.7	162/179	175/200	156/171	466/494	166/183	175/200	160/175	470/498
	291A+294A	37.6/50.0	104.3/120.3	179/169	200/175	171/189	494/526	183/172	200/200	176/193	498/530	
	HIGH	NONE	—	—	62	80	65	324	66	80	69	328
		288A	7.5/10.0	20.9/24.1	88/92	100/100	89/93	345/348	92/96	100/100	93/97	349/352
		291A	12.4/16.5	34.4/39.7	105/112	110/125	104/111	358/364	109/115	110/125	109/115	362/368
		294A	25.2/33.5	69.9/80.6	149/163	150/175	145/158	394/405	153/167	175/175	150/162	398/409
		288A+294A	32.7/43.5	90.7/104.7	175/193	175/200	169/185	505/533	179/197	200/200	174/190	509/537
	291A+294A	37.6/50.0	104.3/120.3	192/182	200/200	185/203	533/565	196/186	200/200	189/208	537/569	
460-3-60	STD	NONE	—	—	24	30	24	124	25	30	26	126
		289A	10.0	12.0	39	40	38	136	40	40	40	138
		292A	16.5	19.9	48	50	47	144	50	50	49	146
		295A	33.5	40.3	74	80	71	164	76	80	73	166
		289A+295A	43.5	52.3	89	90	85	229	91	100	87	231
	292A+295A	50.0	60.2	84	90	94	244	86	90	96	246	
	MED	NONE	—	—	24	30	25	137	26	30	27	139
		289A	10.0	12.0	39	40	39	149	41	45	41	151
		292A	16.5	19.9	49	50	48	157	51	60	50	159
		295A	33.5	40.3	74	80	71	177	76	80	73	179
		289A+295A	43.5	52.3	89	90	85	242	91	100	87	244
	292A+295A	50.0	60.2	84	90	94	257	86	90	96	259	
	HIGH	NONE	—	—	31	40	32	156	33	40	34	158
		289A	10.0	12.0	46	50	46	168	48	50	48	170
		292A	16.5	19.9	56	60	55	176	58	60	57	178
		295A	33.5	40.3	81	90	79	196	83	90	81	198
		289A+295A	43.5	52.3	96	100	92	261	98	100	94	263
	292A+295A	50.0	60.2	91	100	101	276	93	100	104	278	
575-3-60	LOW	NONE	—	—	19	25	20	97	23	25	24	101
		290A	10.0	9.6	31	35	31	107	35	35	35	111
		293A	16.5	15.9	39	40	38	113	43	45	42	117
		296A	33.5	32.2	59	60	57	129	63	70	61	133
		290A+296A	43.5	41.9	71	80	68	181	75	80	72	185
	293A+296A	50.0	48.1	67	70	75	193	71	80	79	197	
	MED	NONE	—	—	20	25	21	106	24	25	25	110
		290A	10.0	9.6	32	35	32	116	36	40	36	120
		293A	16.5	15.9	40	40	39	122	44	45	43	126
		296A	33.5	32.2	60	60	58	138	64	70	62	142
		290A+296A	43.5	41.9	72	80	69	190	76	80	73	194
	293A+296A	50.0	48.1	68	70	76	202	72	80	81	206	
	HIGH	NONE	—	—	25	30	26	118	29	35	30	122
		290A	10.0	9.6	37	40	37	128	41	45	41	132
		293A	16.5	15.9	45	45	44	134	49	50	49	138
		296A	33.5	32.2	66	70	63	150	69	70	67	154
		290A+296A	43.5	41.9	78	80	74	202	81	90	79	206
	293A+296A	50.0	48.1	73	80	81	214	77	80	86	218	

See Legend and Notes on page 79.

**549J12D UNIT WIRE/FUSE OR HACR BREAKER SIZING DATA  
TWO STAGE COOLING WITH TWO SPEED INDOOR FAN MOTOR (cont)**

NOM. V-Ph-Hz	IFM TYPE	ELEC. HTR			WITH PWRD C.O.							
		CRHEATER ****00	Nom (kW)	FLA	NO P.E.				WITH P.E. (pwrd fr/ unit)			
					MCA	Max Fuse or HACR Brkr	Disc. Size		MCA	Max Fuse or HACR Brkr	Disc. Size	
							FLA	LRA			FLA	LRA
208/230-3-60	STD	NONE	—	—	52/52	60/60	55/55	264	56/56	60/60	59/59	268
		288A	7.5/10.0	20.9/24.1	78/82	80/90	79/82	285/288	82/86	90/90	83/87	289/292
		291A	12.4/16.5	34.4/39.7	95/102	100/110	95/100	298/304	99/105	100/110	99/105	302/308
		294A	25.2/33.5	69.9/80.6	140/153	150/175	135/147	334/345	144/157	150/175	140/152	338/349
		288A+294A	32.7/43.5	90.7/104.7	166/183	175/200	159/175	445/473	170/187	175/200	164/180	449/477
	291A+294A	37.6/50.0	104.3/120.3	183/172	200/200	175/193	473/505	187/176	200/200	179/197	477/509	
	MED	NONE	—	—	54/53	60/60	57/56	290	58/57	70/70	61/60	294
		288A	7.5/10.0	20.9/24.1	80/83	80/90	81/84	311/314	84/87	90/90	85/88	315/318
		291A	12.4/16.5	34.4/39.7	97/103	100/110	96/102	324/330	101/106	110/110	101/106	328/334
		294A	25.2/33.5	69.9/80.6	141/154	150/175	137/149	360/371	145/158	150/175	142/153	364/375
		288A+294A	32.7/43.5	90.7/104.7	167/184	175/200	161/176	471/499	171/188	175/200	165/181	475/503
	291A+294A	37.6/50.0	104.3/120.3	184/173	200/200	177/194	499/531	188/177	200/200	181/199	503/535	
	HIGH	NONE	—	—	67	80	70	329	71	80	75	333
		288A	7.5/10.0	20.9/24.1	93/97	100/100	94/98	350/353	97/101	100/110	99/102	354/357
		291A	12.4/16.5	34.4/39.7	110/116	110/125	110/116	363/369	114/120	125/125	114/120	367/373
		294A	25.2/33.5	69.9/80.6	154/168	175/175	151/163	399/410	158/171	175/175	155/167	403/414
		288A+294A	32.7/43.5	90.7/104.7	180/198	200/200	175/191	510/538	184/201	200/225	179/195	514/542
	291A+294A	37.6/50.0	104.3/120.3	197/187	200/200	190/209	538/570	201/191	225/200	195/213	542/574	
460-3-60	STD	NONE	—	—	26	30	27	126	28	30	29	128
		289A	10.0	12.0	41	45	41	138	43	45	43	140
		292A	16.5	19.9	51	60	50	146	52	60	52	148
		295A	33.5	40.3	76	80	73	166	78	80	75	168
		289A+295A	43.5	52.3	91	100	87	231	93	100	89	233
	292A+295A	50.0	60.2	86	90	96	246	88	90	98	248	
	MED	NONE	—	—	26	30	27	139	28	30	29	141
		289A	10.0	12.0	41	45	41	151	43	45	43	153
		292A	16.5	19.9	51	60	50	159	53	60	52	161
		295A	33.5	40.3	77	80	74	179	78	80	76	181
		289A+295A	43.5	52.3	92	100	88	244	93	100	90	246
	292A+295A	50.0	60.2	86	90	97	259	88	90	99	261	
	HIGH	NONE	—	—	33	40	35	158	35	40	37	160
		289A	10.0	12.0	48	50	49	170	50	50	51	172
		292A	16.5	19.9	58	60	58	178	60	60	60	180
		295A	33.5	40.3	84	90	81	198	85	90	83	200
		289A+295A	43.5	52.3	99	100	95	263	100	100	97	265
	292A+295A	50.0	60.2	93	100	104	278	95	100	106	280	
575-3-60	LOW	NONE	—	—	21	25	22	99	25	30	26	103
		290A	10.0	9.6	33	35	33	109	37	40	37	113
		293A	16.5	15.9	41	45	40	115	44	45	44	119
		296A	33.5	32.2	61	70	59	131	65	70	63	135
		290A+296A	43.5	41.9	73	80	70	183	77	80	74	187
	293A+296A	50.0	48.1	69	70	77	195	73	80	81	199	
	MED	NONE	—	—	22	25	23	108	26	30	27	112
		290A	10.0	9.6	34	35	34	118	38	40	38	122
		293A	16.5	15.9	42	45	41	124	45	45	45	128
		296A	33.5	32.2	62	70	60	140	66	70	64	144
		290A+296A	43.5	41.9	74	80	71	192	78	80	75	196
	293A+296A	50.0	48.1	70	80	78	204	74	80	82	208	
	HIGH	NONE	—	—	27	30	28	120	31	35	32	124
		290A	10.0	9.6	39	45	39	130	43	45	43	134
		293A	16.5	15.9	47	50	46	136	51	60	51	140
		296A	33.5	32.2	67	70	65	152	71	80	69	156
		290A+296A	43.5	41.9	79	80	76	204	83	90	81	208
	293A+296A	50.0	48.1	75	80	83	216	79	90	88	220	

See Legend and Notes on page 79.

# Controls

## Cooling, unit without economizer

### Cooling (single speed indoor fan motor)

When thermostat calls for cooling, terminals G and Y1 are energized. The indoor fan contactor (IFC), reversing valve solenoid (RVS) and compressor contactor are energized and indoor fan motor, compressor, and outdoor fan starts. On 2-Stage 07 units, Y1 allows compressor to operate unloaded at 67% of unit capacity. For all units, the outdoor fan motor runs continuously while unit is cooling.

Two-stage models: If Stage 1 cooling does not satisfy the space load, the space temperature will rise until thermostat calls for Stage 2 cooling (Y2 closes). On two compressor units, Defrost Board activates Stage 2 Compressor. Reversing valve 2 switches to Cooling position. Compressor 2 contactor is energized; Compressor 2 starts and Circuit 2 operates in Cooling mode. On 2-Stage 07 units, Y2 energizes the loader plug, allowing compressor to operate at 100% in cooling mode.

On two compressor units when Cooling Stage 2 is satisfied, thermostat Y2 opens. Compressor 2 contactor is de-energized; Compressor 2 stops. Reversing Valve 2 remains energized. On 2-Stage 07 units, the loader plug is de-energized and compressor operates at 67%. Reversing Valve remains energized.

When Cooling Stage 1 is satisfied, thermostat Y1 opens. Compressor 1 contactor is de-energized; Compressor 1 stops. Outdoor fan relay is de-energized; outdoor fans stop. After the Fan Delay period, the Indoor fan contactor is de-energized; indoor fan stops (unless Continuous Fan operation has been selected). Reversing Valve 1 remains energized.

Reversing valve solenoids are energized in Cooling modes. Each solenoid will remain energized until the next Heating mode is initiated for this circuit.

### Cooling (2-speed indoor fan motor)

Per ASHRAE 90.1-2016 and IECC-2015 standards, during the first stage of cooling operation, the VFD will adjust the fan motor to provide 66% of the total cfm established for the unit. When a call for the second stage of cooling is required, the VFD will allow the total cfm established for the unit (100%).

## Heating, unit without economizer

Upon a request for heating from the space thermostat, terminal W1 will be energized with 24-v. The IFC, outdoor fan contactor (OFC), C1, and C2 will be energized. The indoor fan, outdoor fans, and compressor no. 1, and compressor no. 2 are energized and reversing valves are de-energized and switch position.

If the space temperature continues to fall while W1 is energized, W2 will be energized with 24-v, and the heater contactor(s) (HC) will be energized, which will energize the electric heater(s).

When the space thermostat is satisfied, W2 will be de-energized first, and the electric heater(s) will be de-energized.

Upon a further rise in space temperature, W1 will be de-energized.

Two compressor models: When the thermostat calls for heating, terminal W1 is energized. Defrost Board de-energizes both reversing valve solenoids and reversing valves move to Heating position. The indoor fan contactor is energized; indoor fan motor starts. Outdoor fan relay is energized; both outdoor fan motors run. Compressor contactors C1 and C2 are energized; both refrigeration circuits operate in Heating mode.

If Stage 1 heating does not satisfy the space load, the space temperature will fall until thermostat calls for Stage 2 heating (W2 closes). Terminal W2 is energized. Defrost Board issues an output at EHEAT. Heater contactor 1 and heater contactor 2 (if installed) are energized; all electric heaters are energized.

When space heating load is partially satisfied, thermostat terminal W2 is de-energized; heater contactors are de-energized and all electric heat is terminated. Stage 1 heating continues.

When the space heating load is fully satisfied, thermostat terminal W1 is also de-energized.

Reversing valve solenoids remain de-energized until the next call for Cooling mode is initiated.

## Cooling, unit with EconoMiSer® IV, X

When free cooling is not available, the compressors will be controlled by the zone thermostat. When free cooling is available, the outdoor air damper is modulated by the EconoMiSer IV, X control to provide a 50°F to 55°F (10°C to 13°C) mixed air temperature into the zone. As the mixed air temperature fluctuates above 55°F or below 50°F (13°C to 10°C), the dampers will be modulated (open or close) to bring the mixed air temperature back within control.

If mechanical cooling is utilized with free cooling, the outdoor-air damper will maintain its current position at the time the compressor is started. If the increase in cooling capacity causes the mixed-air temperature to drop below 45°F (7°C), then the outdoor-air damper position will be decreased to the minimum position. If the mixed-air temperature continues to fall, the outdoor-air damper will close. Control returns to normal once the mixed-air temperature rises above 48°F (9°C).

If optional power exhaust is installed, as the outdoor air damper opens and closes, the power exhaust fans will be energized and de-energized.

If field-installed accessory CO<sub>2</sub> sensors are connected to the EconoMiSer IV, X control, a demand controlled ventilation strategy will begin to operate. As the CO<sub>2</sub> level in the zone increases above the CO<sub>2</sub> setpoint, the minimum position of the damper will be increased proportionally. As the CO<sub>2</sub> level decreases because of the increase in fresh air, the outdoor air damper will be proportionally closed.

For EconoMiSer IV, X operation, there must be a thermostat call for the fan (G). If the unit is occupied and the fan is on, the damper will operate at minimum position. Otherwise, the damper will be closed.

When the EconoMiSer IV, X control is in the occupied mode and a call for cooling exists (Y1 on the thermostat), the control will first check for indoor fan operation. If the fan is not on, then cooling will not be activated. If the fan is on, then the control will open the EconoMiSer IV, X damper to the minimum position.

On the initial power to the EconoMiSer IV, X control, it will take the damper up to 2<sup>1</sup>/<sub>2</sub> minutes before it begins to position itself. Any change in damper position will take up to 30 seconds to initiate. Damper movement from full closed to full open (or vice versa) will take between 1<sup>1</sup>/<sub>2</sub> and 2<sup>1</sup>/<sub>2</sub> minutes.

If free cooling can be used as determined from the appropriate changeover command (switch, dry bulb, enthalpy curve, differential dry bulb, or differential enthalpy), then the control will modulate the dampers open to maintain the mixed air temperature setpoint at 50° to 55°F (10° to 13°C).



If there is a further demand for cooling (cooling second stage — Y2 is energized), then the control will bring on compressor stage 1 to maintain the mixed air temperature setpoint. The EconoMiSer IV, X damper will be open at maximum position. EconoMiSer IV, X controller operation is limited to a single compressor.

**2-Speed Note:** When operating in ventilation mode only, the indoor fan motor will automatically adjust to 66% of the total cfm established.

### **Heating, unit with EconoMiSer controller**

When the room temperature calls for heat through terminal W1, the indoor (evaporator) fan contactor (IFC) and heater contactor no. 1 (HC1) are energized and the reversing valve(s) de-energize and switches position. On units equipped for 2 stages of heat, when additional heat is needed, heater contactor no. 2 is energized through W2. The economizer damper moves to the minimum position. When the thermostat is satisfied, the damper moves to the fully closed position.

### **Defrost**

When the temperature of the outdoor coil drops below 28°F (−2°C) as sensed by the defrost thermostat (DFT2) and the defrost timer is at the end of a timed period (adjustable at 30, 60, 90 or 120 minutes), reversing valve solenoids (RVS1 and RVS2) are energized and the OFC is de-energized. This switches the position of the reversing valves and shuts off the outdoor fan. The electric heaters (if installed) will be energized.

The unit continues to defrost until the coil temperature as measured by DFT2 reaches 65°F (18°C), or the duration of defrost cycle completes a 10-minute period.

During the Defrost mode, if circuit 1 defrosts first, RVS1 will oscillate between Heating and Cooling modes until the Defrost mode is complete.

At the end of the defrost cycle, the electric heaters (if installed) will be de-energized; the reversing valves switch and the outdoor fan motor will be energized. The unit will now operate in the Heating mode.

If the space thermostat is satisfied during a defrost cycle, the unit will continue in the Defrost mode until the time or temperature constraints are satisfied.

### **Automatic changeover**

When the system selection switch is set at AUTO. position, unit automatically changes from heating operation to cooling operation when the temperature of the conditioned space rises to the cooling level setting. When the temperature of the conditioned space falls to the heating level setting, unit automatically changes from cooling to heating operation (with a 3°F dead-band in between).

### **Continuous air circulation**

Turn unit power on. Set system control at OFF position. Set fan switch at ON position. The indoor fan contactor is energized through the thermostat switch and the indoor fan runs continuously.

### **Emergency heat**

When the switch is on (thermostat is set to the EM HT position), compressor circuit and outdoor thermostats are bypassed, and the second stage of thermostat energizes the indoor blower and the electric resistance heaters.

### **RTU Open Controller (Factory Option)**

For details on operating 549J units equipped with the factory-installed RTU Open controller option refer to *Factory Installed RTU Open Multi-Protocol Controller Controls, Start-Up, Operation and Troubleshooting* manual.

# Guide specifications

Note about this specification: These specifications are written in “Masterformat” as published by the Construction Specification Institute. Please feel free to copy this specification directly into your building spec.

## Rooftop Packaged Heat Pump

### HVAC guide specifications

Size range: **3 to 10 Nominal Tons**

Bryant Model Number: **549J\*04-12**

#### Part 1 — (23 06 80) Schedules for decentralized HVAC equipment

1.01 (23 06 80.13) Decentralized Unitary HVAC Equipment Schedule

- A. (23 06 80.13.A.) Rooftop unit (RTU) schedule
  - 1. Schedule is per the project specification requirements.

#### Part 2 — (23 07 16) HVAC equipment insulation

2.01 (23 07 16.13) Decentralized, Rooftop Units:

- A. (23 07 16.13.A.) Evaporator fan compartment:
  - 1. Interior cabinet surfaces shall be insulated with a minimum 1/2-in. thick, minimum 1 1/2 lb density, flexible fiberglass insulation bonded with a phenolic binder, neoprene coated on the air side.
  - 2. Insulation and adhesive shall meet NFPA 90A requirements for flame spread and smoke generation.
  - 3. Unit internal insulation linings shall be resistant to mold growth in accordance with “mold growth and humidity” test in ASTM C1338, G21, and UL 181 or comparable test method. Air stream surfaces shall be evaluated in accordance with the “Erosion Test” in UL 181, as part of ASTM C1071.

#### Part 3 — (23 09 13) Instrumentation and control devices for HVAC

3.01 (23 09 13.23) Sensors and Transmitters:

- A. (23 09 13.23.A.) Thermostats:
  - 1. Thermostat must:
    - a. have capability to energize 2 different stages of cooling, and 2 different stages of heating.
    - b. include capability for occupancy scheduling.

#### Part 4 — (23 09 23) Direct-digital control system for HVAC

4.01 (23 09 23.13) Decentralized, Rooftop Units:

- A. (23 09 23.13.A.) RTU Open protocol, direct digital controller:
  - 1. Shall be ASHRAE 62 compliant.
  - 2. Shall accept 18-30 vac, 50-60Hz, and consume 15VA or less power.
  - 3. Shall have an operating temperature range from -40°F (-40°C) to 130°F (54°C), 10% to 90% RH (non-condensing).

4. Shall include built-in protocol for BACnet<sup>1</sup> (MS/TP and PTP modes), Modbus<sup>2</sup> (RTU and ASCII), Johnson N2 and LonWorks<sup>3</sup>. LonWorks Echelon processor required for all Lon applications shall be contained in separate communication board.

- a. Shall allow access of up to 62 network variables (SNVT). Shall be compatible with all open controllers.
- b. Baud rate controller shall be selectable using a dip switch.
- c. Shall have an LED display independently showing the status of serial communication, running, errors, power, all digital outputs, and all analog inputs.
- d. Shall accept the following inputs: space temperature, setpoint adjustment, outdoor air temperature, indoor air quality, outdoor air quality, compressor lockout, fire shutdown, enthalpy switch, and fan status / filter status / humidity / remote occupancy.
- e. Shall provide the following outputs: economizer, variable frequency drive, fan, cooling stage 1, cooling stage 2, heat stage 1, heat stage 2, exhaust reversing valve/high fan speed.
- f. Shall have built-in surge protection circuitry through solid-state polyswitches. Polyswitches shall be used on incoming power and network connections. Polyswitches will return to normal when the “trip” condition clears.
- g. Shall have a battery backup capable of a minimum of 10,000 hours of data and time clock retention during power outages.
- h. Shall have built-in support for Bryant technician tool.
- i. Shall include an RS-485 protocol communication port, an access port for connection of either a computer or a Bryant technician tool, an RS-485 port for network communication to intelligent space sensors and displays, and a port to connect an optional LonWorks communications card.
- j. Software upgrades will be accomplished by either local or remote download. No software upgrades through chip replacements are allowed.

#### Part 5 — (23 09 33) Electric and electronic control system for HVAC

5.01 (23 09 33.13) Decentralized, rooftop units:

- A. (23 09 33.13.A) General:
  - 1. Shall be complete with self-contained low-voltage control circuit protected by a resettable circuit

- 
- 1. BACnet is a registered trademark of ASHRAE (American Society of Heating, Refrigerating and Air-Conditioning Engineers).
  - 2. Modbus is a registered trademark of Schneider Electric.
  - 3. LonWorks is a registered trademark of the Echelon Corporation.

breaker on the 24-v transformer side. Transformer shall have 75VA capability.

Shall utilize color-coded wiring.

Shall include a central control terminal board to conveniently and safely provide connection points for vital control functions such as: smoke detectors, phase monitor, economizer, thermostat, DDC control options, loss of charge, freeze switch, high pressure switches.

Unit shall include a minimum of one 8-pin screw terminal connection board for connection of control wiring.

Shall include integrated defrost system to prevent excessive frost accumulation during heating duty, and shall be controlled as follows:

- a. Defrost shall be initiated on the basis of time and coil temperature.
  - b. A 30, 60, 90, 120 minute timer shall activate the defrost cycle only if the coil temperature is low enough to indicate a heavy frost condition.
  - c. Defrost cycle shall terminate when defrost thermostat is satisfied and shall have a positive termination time of 10 minutes.
2. Defrost system shall also include:
- a. Defrost Cycle Indicator LED.
  - b. Dip switch selectable defrost time between 30, 60, 90, and 120 minutes. Factory set at 30 minutes.
  - c. Molded plug connection to ensure proper connection.
- B. (23 09 33.23.B) Safeties:
1. Compressor over-temperature, over-current.
  2. Low-pressure switch:
    - a. Units with 2 compressors shall have different sized connectors for the circuit 1 and circuit 2 loss of charge switches. They shall physically prevent the cross-wiring of the safety switches between circuits 1 and 2.
    - b. Loss of charge switch shall use different color wire than the high pressure switch. The purpose is to assist the installer and service technician to correctly wire and/or troubleshoot the rooftop unit.
  3. High-pressure switch:
    - a. Units with 2 compressors shall have different sized connectors for the circuit 1 and circuit 2 high-pressure switches. They shall physically prevent the cross-wiring of the safety switches between circuits 1 and 2.
    - b. High-pressure switch shall use different color wire than the low-pressure switch. The purpose is to assist the installer and service technician to correctly wire and/or troubleshoot the rooftop unit.
  4. Freeze protection thermostat, evaporator coil.
  5. Automatic reset, motor thermal overload protector.

## **Part 6 — (23 09 93) Sequence of operations for HVAC controls**

- A. (23 09 93.13) Decentralized, Rooftop Units:
- B. (23 09 93.13.A) INSERT SEQUENCE OF OPERATION

## **Part 7 — (23 40 13) Panel air filters**

7.01 (23 40 13 13) Decentralized rooftop units:

- A. (23 40 13 13.A) Standard filter section:
  1. Shall consist of factory-installed, low velocity, throwaway 2-in. thick fiberglass filters of commercially available sizes.
  2. Unit shall use only one filter size. Multiple sizes are not acceptable.
  3. Filters shall be accessible through an access panel with “no-tool” removal as described in the unit cabinet section of this specification (23 81 19.13.G).

## **Part 8 — (23 81 19) Self-contained air conditioners**

8.01 (23 81 19.13) Small-Capacity Self-Contained Air Conditioners (549J\*04-12):

- A. (23 81 19.13.A) General:
  1. Outdoor, rooftop mounted, electrically controlled, heating and cooling unit utilizing hermetic scroll compressor(s) for cooling duty and heat pump for heating duty.
  2. Factory assembled, single piece heating and cooling rooftop unit. Contained within the unit enclosure shall be all factory wiring, piping, controls, and special features required prior to field start-up.
  3. Unit shall use Puron® (R-410A) refrigerant.
  4. Unit shall be installed in accordance with the manufacturer’s instructions.
  5. Unit must be selected and installed in compliance with local, state, and federal codes.
- B. (23 81 19.13.B.) Quality Assurance:
  1. Unit meets ASHRAE 90.1-2016 and IECC-2015 minimum efficiency requirements.
  2. Units are ENERGY STAR<sup>1</sup> certified (except for 04 single phase models).
  3. Unit shall be rated in accordance with AHRI Standards 210/240 and 340/360.
  4. Unit shall be designed to conform to ASHRAE 15.
  5. Unit shall be UL-tested and certified in accordance with ANSI Z21.47 Standards and UL or ETL-listed and certified under Canadian standards as a total package for safety requirements.
  6. Insulation and adhesive shall meet NFPA 90A requirements for flame spread and smoke generation.
  7. Unit internal insulation linings shall be resistant to mold growth in accordance with “mold growth and humidity” test in ASTM C1338, G21, and UL 181

---

1. ENERGY STAR is a registered trademark of the U.S. Environmental Protection Agency.

## Guide specifications (cont)

- or comparable test method. Air stream surfaces shall be evaluated in accordance with the “Erosion Test” in UL 181, as part of ASTM C1071.
- Unit casing shall be capable of withstanding 500 hour salt spray exposure per ASTM B117 (scribed specimen).
  - Roof curb shall be designed to conform to NRCA Standards.
  - Unit shall be subjected to a completely automated run test on the assembly line. The data for each unit will be stored at the factory, and must be available upon request.
  - Unit shall be designed in accordance with UL Standard 1995, including testing to withstand rain.
  - Unit shall be constructed to prevent intrusion of snow and tested to prevent snow intrusion into the control box up to 40 mph.
  - Unit shake tested to assurance level 1, ASTM D4169 to ensure shipping reliability.
  - High Efficiency Motors listed shall meet section 313 of the Energy Independence and Security Act of 2007 (EISA 2007).
- C. (23 81 19.13.C) Delivery, storage, and handling:
- Unit shall be stored and handled per manufacturer’s recommendations.
  - Lifted by crane requires either shipping top panel or spreader bars.
  - Unit shall only be stored or positioned in the upright position.
- D. (23 81 19.13.D) Project conditions:
- As specified in the contract.
- E. (23 81 19.13.E) Operating characteristics:
- Unit shall be capable of starting and running at 125°F (52°C) ambient outdoor temperature, meeting maximum load criteria of AHRI Standard 210/240 or 340/360 at ±10% voltage. Compressor with standard controls shall be capable of operation down to 30°F (–1°C), ambient outdoor temperatures. Accessory Low Ambient controls are available if mechanically cooling at ambient temperatures below 30°F (–1°C).
  - Unit shall be capable of simultaneous heating duty and defrost cycle operation when using accessory electric heaters.
  - Unit shall discharge supply air vertically or horizontally as shown on contract drawings.
  - Unit shall be factory configured for vertical supply and return configurations.
  - Unit shall be field convertible from vertical to horizontal configuration. No special kits on 04-09 sizes. Size 12 model shall require a supply duct kit for field installation.
  - Unit shall be capable of mixed operation: vertical supply with horizontal return or horizontal supply with vertical return.
- F. (23 81 19.13.F) Electrical Requirements:
- Main power supply voltage, phase, and frequency must match those required by the manufacturer.
  - Control Panel SCCR (short circuit current rating): 5kA RMS at Rated Symmetrical Voltage.
- G. (23 81 19.13.G) Unit cabinet:
- Unit cabinet shall be constructed of galvanized steel, and shall be bonderized and coated with a pre-painted baked enamel finish on all externally exposed surfaces.
  - Unit cabinet exterior paint shall be: film thickness, (dry) 0.003-in. minimum, gloss (per ASTM D523, 60°F): 60, Hardness: H-2H Pencil hardness.
  - Evaporator fan compartment interior cabinet insulation shall conform to AHRI Standards 210/240 or 340/360 minimum exterior sweat criteria. Interior surfaces shall be insulated with a minimum 1/2-in. thick, 1 lb density, flexible fiberglass insulation, neoprene coated on the air side. Aluminum foil-faced fiberglass insulation shall be used in the heat compartment.
  - Unit internal insulation linings shall be resistant to mold growth in accordance with “mold growth and humidity” test in ASTM C1338, G21, and UL 181 or comparable test method. Air stream surfaces shall be evaluated in accordance with the “Erosion Test” in UL 181, as part of ASTM C1071.
  - Base of unit shall have a minimum of three locations for thru-the-base electrical connections (factory-installed or field-installed), standard.
  - Base rail:
    - Unit shall have base rails on a minimum of 2 sides.
    - Holes shall be provided in the base rails for rigging shackles to facilitate maneuvering and overhead rigging.
    - Holes shall be provided in the base rail for moving the rooftop by fork truck.
    - Base rail shall be a minimum of 16 gage thickness.
  - Condensate pan and connections:
    - Shall be a sloped condensate drain pan made of a non-corrosive material.
    - Shall comply with ASHRAE Standard 62.
    - Shall use a 3/4-in. 14 NPT drain connection, possible either through the bottom or end of the drain pan. Connection shall be made per manufacturer’s recommendations.
  - Top panel:
    - Shall be a single piece on all 04 to 09 models and a two piece on size 12 models.
  - Electrical connections:
    - All unit power wiring shall enter unit cabinet at a single, factory prepared, knockout location.
    - Thru-the-base capability.

- 1) Standard unit shall have a thru-the-base electrical location(s) using a raised, embossed portion of the unit basepan.
  - 2) Optional, factory approved, watertight connection method must be used for thru-the-base electrical connections.
  - 3) No basepan penetration, other than those authorized by the manufacturer, is permitted.
10. Component access panels (standard):
- a. Cabinet panels shall be easily removable for servicing.
  - b. Unit shall have one factory-installed, tool-less, removable, filter access panel.
  - c. Panels covering control box, indoor fan, indoor fan motor, and compressors shall have molded composite handles.
  - d. Handles shall be UV modified, composite, permanently attached, and recessed into the panel.
  - e. Screws on the vertical portion of all removable access panels shall engage into heat resistant, molded composite collars.
  - f. Collars shall be removable and easily replaceable using manufacturer recommended parts.

H. (23 81 19.13.H.) Coils:

1. Standard Aluminum/Copper Coils on all models:
  - a. Standard evaporator and condenser coils shall have aluminum lanced plate fins mechanically bonded to seamless internally grooved copper tubes with all joints brazed.
  - b. Evaporator coils shall be leak tested to 150 psig. Pressure tested to 450 psig and qualified to UL 1995 burst test at 1775 psig.
  - c. Condenser coils shall be leak tested to 150 psig. Pressure tested to 650 psig and qualified to UL 1995 burst test at 1980 psig.
2. Optional Pre-coated aluminum fin condenser coils on all models:
  - a. Shall have a durable epoxy-phenolic coating to provide protection in mildly corrosive coastal environments.
  - b. Coating shall be applied to the aluminum fin stock prior to the fin stamping process to create an inert barrier between the aluminum fin and copper tube.
  - c. Epoxy-phenolic barrier shall minimize galvanic action between dissimilar metals.
  - d. Corrosion durability of fin stock shall be confirmed through testing to be no less than 6000 hours salt spray per ASTM B117-90.
  - e. Corrosion durability of fin stock shall be confirmed through testing to have no visible corrosion after 48 hour immersion in a room temperature solution of 5% salt, 1% acetic acid.
  - f. Fin stock coating shall pass 2000 hours of the following: one week exposure in the prohesion chamber followed by one week of accelerated

ultraviolet light testing. Prohesion chamber: the solution shall contain 3.5% sodium chloride and 0.35% ammonium sulfate. The exposure cycle is one hour of salt fog application at ambient followed by one hour drying at 95°F (35°C).

3. Optional Copper-fin evaporator and condenser coils on all models:
  - a. Heat exchanger shall be of the tubular-section type constructed of a minimum of 20 gage steel coated with a nominal 1.2 mil aluminum-silicone alloy to aid with corrosion resistance.
  - b. Burners shall be of the inshot type constructed of aluminum-coated steel.
  - c. Burners shall incorporate orifices for rated heat output up to 2000 ft (610 m) elevation. Additional accessory kits may be required for applications above 2000 ft (610 m) elevation, depending on local gas supply conditions.
  - d. Each heat exchanger tube shall contain multiple dimples for increased heating effectiveness.

I. (23 81 19.13.I.) Coils:

1. Standard aluminum fin/copper tube coils:
  - a. Standard evaporator and condenser coils shall have aluminum lanced plate fins mechanically bonded to seamless internally grooved copper tubes with all joints brazed.
  - b. Evaporator coils shall be leak tested to 150 psig, pressure tested to 450 psig, and qualified to UL 1995 burst test at 1775 psig.
  - c. Condenser coils shall be leak tested to 150 psig, pressure tested to 650 psig, and qualified to UL 1995 burst test at 1980 psig.
2. Optional Pre-coated aluminum fin condenser coils on all models:
  - a. Shall have a durable epoxy-phenolic coating to provide protection in mildly corrosive coastal environments.
  - b. Coating shall be applied to the aluminum fin stock prior to the fin stamping process to create an inert barrier between the aluminum fin and copper tube.
  - c. Epoxy-phenolic barrier shall minimize galvanic action between dissimilar metals.
  - d. Corrosion durability of fin stock shall be confirmed through testing to be no less than 6000 hours salt spray per ASTM B117-90.
  - e. Corrosion durability of fin stock shall be confirmed through testing to have no visible corrosion after 48 hour immersion in a room temperature solution of 5% salt, 1% acetic acid.
  - f. Fin stock coating shall pass 2000 hours of the following: one week exposure in the prohesion chamber followed by one week of accelerated ultraviolet light testing. Prohesion chamber: the solution shall contain 3.5% sodium chloride and 0.35% ammonium sulfate. The exposure cycle

## Guide specifications (cont)

is one hour of salt fog application at ambient followed by one hour drying at 95°F (35°C).

3. Optional Copper-fin evaporator and condenser coils on all models:
  - a. Shall be constructed of copper fins mechanically bonded to copper tubes and copper tube sheets.
  - b. Galvanized steel tube sheets shall not be acceptable.
  - c. A polymer strip shall prevent coil assembly from contacting the sheet metal coil pan to minimize potential for galvanic corrosion between coil and pan.
4. Optional E-coated aluminum-fin evaporator and condenser coils on all models:
  - a. Shall have a flexible epoxy polymer coating uniformly applied to all coil surface areas without material bridging between fins.
  - b. Coating process shall ensure complete coil encapsulation of tubes, fins and headers.
  - c. Color shall be high gloss black with gloss per ASTM D523-89.
  - d. Uniform dry film thickness from 0.8 to 1.2 mil on all surface areas including fin edges.
  - e. Superior hardness characteristics of 2H per ASTM D3363-92A and cross-hatch adhesion of 4B-5B per ASTM D3359-93.
  - f. Impact resistance shall be up to 160 in. lb (ASTM D2794-93).
  - g. Humidity and water immersion resistance shall be up to minimum 1000 and 250 hours respectively (ASTM D2247-92 and ASTM D870-92).
  - h. Corrosion durability shall be confirmed through testing to be no less than 6000 hours salt spray per ASTM B117-90.
- J. (23 81 19.13.J) Refrigerant components:
  1. Refrigerant circuit shall include the following control, safety, and maintenance features:
    - a. Thermostatic Expansion Valve (TXV) shall help provide optimum performance across the entire operating range. Shall contain removable power element to allow change out of power element and bulb without removing the valve body.
    - b. Refrigerant filter drier on each refrigerant circuit.
    - c. Service gage connections on suction and discharge lines.
    - d. Pressure gage access through a specially designed access port in the top panel of the unit.
    - e. Suction line accumulator to provide protection in all operating modes from cooling, heating and reverse cycle switching. Standard on each refrigerant circuit.
  2. There shall be gage line access port in the top of the rooftop, covered by a black, removable plug.
    - a. The plug shall be easy to remove and replace.
    - b. When the plug is removed, the gage access port shall enable maintenance personnel to route their pressure gage lines.
    - c. This gage access port shall facilitate correct and accurate condenser pressure readings by enabling the reading with the compressor access panel on.
    - d. The plug shall be made of a leak proof, UV-resistant, composite material.
3. Compressors:
  - a. Unit shall use one fully hermetic, scroll compressor for each independent refrigeration circuit.
  - b. Models shall be available with single compressor/single stage cooling designs on 04-07 models, single compressor/2-stage cooling on 07 size, and 2 compressor/2-stage cooling models on 08-12 sizes.
  - c. Compressor motors shall be cooled by refrigerant gas passing through motor windings.
  - d. Compressors shall be internally protected from high discharge temperature conditions.
  - e. Compressors shall be protected from an over-temperature and over-ampereage conditions by an internal, motor overload device.
  - f. Compressor shall be factory mounted on rubber grommets.
  - g. Compressor motors shall have internal line break thermal, current overload and high pressure differential protection.
  - h. Crankcase heaters shall be utilized on all models to protect compressor with specific refrigerant charge.
- K. (23 81 19.13.K) Filter section
  1. Filters access is specified in the unit cabinet section of this specification.
  2. Filters shall be held in place by a pivoting filter tray, facilitating easy removal and installation.
  3. Shall consist of factory-installed, low velocity, throw-away 2-in. thick fiberglass filters.
  4. Filters shall be standard, commercially available sizes.
  5. Only one size filter per unit is allowed.
- L. (23 81 19.13.L) Evaporator fan and motor:
  1. Evaporator fan motor:
    - a. Shall have permanently lubricated bearings.
    - b. Shall have inherent automatic-reset thermal overload protection or circuit breaker.
    - c. Shall have a maximum continuous bhp rating for continuous duty operation; no safety factors above that rating shall be required.
  2. Electric Drive (Direct Drive) X13 – 5 Speed/Torque Evaporator Fan:
    - a. Multi-speed motor with easy quick adjustment settings.

- b. Blower fan shall be double-inlet type with forward-curved blades.
  - c. Shall be constructed from steel with a corrosion resistant finish and dynamically balanced.
  - d. Standard on all 04-06 models.
3. Belt-driven evaporator fan:
- a. Belt drive shall include an adjustable pitch motor pulley.
  - b. Shall use sealed, permanently lubricated ball-bearing type.
  - c. Blower fan shall be double inlet type with forward curved blades.
  - d. Shall be constructed from steel with a corrosion resistant finish and dynamically balanced.
  - e. Standard on all 07-12 size models. Optional on all 04-06 3-phase models.
- M. (23 81 19.13.M) Condenser Fans and Motors:
1. Condenser fan motors:
    - a. Shall be a totally enclosed motor.
    - b. Shall use permanently lubricated bearings.
    - c. Shall have inherent thermal overload protection with an automatic reset feature.
    - d. Shall use a shaft down design on all sizes.
  2. Condenser fans:
    - a. Shall be a direct driven propeller type fan.
    - b. Shall have aluminum blades riveted to corrosion resistant steel spiders and shall be dynamically balanced.
- N. (23 81 19.13.N.) Special features, options, and accessories:
1. 2-Speed Indoor Fan Motor System for 2-stage cooling models only:
    - a. Evaporator fan motor:
      - 1) Shall have permanently lubricated bearings.
      - 2) Shall have a maximum continuous bhp rating for continuous duty operation; no safety factors above that rating.
      - 3) Shall be Variable Frequency duty and 2-speed control.
      - 4) Shall contain motor shaft grounding ring to prevent electrical bearing fluting damage by safely diverting harmful shaft voltages and bearing currents to ground.
  2. Variable frequency drive (VFD). Only available on 2-speed indoor fan motor option:
    - a. Factory-supplied VFDs qualify, through ABB, for a 12-month warranty from date of commissioning or 18 months from date of sale, whichever occurs first.
    - b. Shall be installed inside the unit cabinet, mounted, wired and tested.
    - c. Shall contain Electromagnetic Interference (EMI) frequency protection.
  3. Integrated EconoMiSer® IV, EconoMiSer 2, and EconoMiSer X standard leak rate models. (Factory-installed on 3-phase models only. Field installed on all 3 and 1-phase models):
    - a. Integrated, gear driven opposing modulating blade design type capable of simultaneous economizer and compressor operation.
    - b. Independent modules for vertical or horizontal return configuration shall be available. Vertical return modules shall be available as a factory-installed option.
    - c. Damper blades shall be galvanized steel with composite gears. Plastic or composite blades on intake or return shall not be acceptable.
    - d. Shall include all hardware and controls to provide free cooling with outdoor air when temperature and/or humidity are below setpoints.
    - e. Shall be equipped with gear driven dampers for both the outdoor ventilation air and the return air for positive air stream control.
    - f. Standard leak rate models shall be equipped with dampers not to exceed 2% leakage at 1 in. wg pressure differential.
    - g. Economizer controller on EconoMiSer IV models shall be Honeywell W7212 that provides:
      - 1) Combined minimum and DCV maximum damper position potentiometers with compressor staging relay.
      - 2) Functions with solid state analog enthalpy or dry bulb changeover control sensing.
      - 3) LED indicators for: when free cooling is available, when module is in DCV mode, when exhaust fan contact is closed.
  4. Economizer controller on EconoMiSer X models shall be the Honeywell W7220 that provides:
    - a. 2-line LCD interface screen for setup, configuration and troubleshooting.
    - b. On-board Fault Detection and Diagnostics (FDD) that senses and alerts when the economizer is not operating properly, per California Title 24.
    - c. Sensor failure loss of communication identification.
- d. Insulated Gate Bi-Polar Transistors (IGBT) used to produce the output pulse width modulated (PWM) waveform, allowing for quiet motor operation.
  - e. Self diagnostics with fault and power code LED indicator. Field accessory Display Kit available for further diagnostics and special setup applications.
  - f. RS485 capability standard.
  - g. Electronic thermal overload protection.
  - h. 5% swinging chokes for harmonic reduction and improved power factor.
  - i. All printed circuit boards shall be conformal coated.



## Guide specifications (cont)

- d. Automatic sensor detection.
    - 1) Capabilities for use with multiple-speed indoor fan systems.
    - 2) Utilize digital sensors: Dry bulb and Enthalpy.
  - e. Economizer controller on EconoMiSer 2 models with RTU Open controller shall be a 4 to 20mA design controlled directly by the RTU Open controller. RTU Open controller meets California Title 24 Fault Detection and Diagnostic (FDD) requirements.
  - f. Shall be capable of introducing up to 100% outdoor air.
  - g. Shall be equipped with a barometric relief damper capable of relieving up to 100% return air and contain seals that meet ASHRAE 90.1-2016 and IECC-2015 requirements.
  - h. Shall be designed to close damper(s) during loss-of-power situations with spring return built into motor.
  - i. Dry bulb outdoor air temperature sensor shall be provided as standard. Enthalpy sensor is also available on factory-installed only. Outdoor air sensor setpoint shall be adjustable and shall range from 40°F to 100°F (4°C to 38°C). Additional sensor options shall be available as accessories.
  - j. The economizer controller shall also provide control of an accessory power exhaust unit function. Factory set at 100%, with a range of 0% to 100%.
  - k. The economizer shall maintain minimum air-flow into the building during occupied period and provide design ventilation rate for full occupancy.
  - l. Dampers shall be completely closed when the unit is in the unoccupied mode.
  - m. Economizer controller shall accept a 2 to 10 vdc CO<sub>2</sub> sensor input for IAQ/DCV control. In this mode, dampers shall modulate the outdoor air damper to provide ventilation based on the sensor input.
  - n. Compressor lockout temperature on W7220 is adjustable from -45°F to 80°F, set at a factory default of 32°F. Others shall open at 35°F (2°C) and close at 50°F (10°C).
  - o. Actuator shall be direct coupled to economizer gear. No linkage arms or control rods shall be acceptable.
  - p. Economizer controller shall provide indications when in free cooling mode, in the DCV mode, or the exhaust fan contact is closed.
5. Integrated EconoMiSer2, and EconoMiSer X Ultra Low Leak rate models.(Factory-installed on 3 phase models only. Field-installed on all 3 and 1 phase models):
- a. Integrated, gear driven opposing modulating blade design type capable of simultaneous economizer and compressor operation.
  - b. Independent modules for vertical or horizontal return configuration shall be available. Vertical return modules shall be available as a factory-installed option.
  - c. Damper blades shall be galvanized steel with composite gears. Plastic or composite blades on intake or return shall not be acceptable.
  - d. Shall include all hardware and controls to provide free cooling with outdoor air when temperature and/or humidity are below setpoints.
  - e. Shall be equipped with gear driven dampers for both the outdoor ventilation air and the return air for positive air stream control.
  - f. Ultra Low Leak design meets California Title 24 section 140.4 and, ASHRAE 90.1-2016 and IECC-2015 requirements for 4 cfm per sq ft on the outside air dampers and 10 cfm per sq ft on the return dampers.
  - g. Economizer controller on EconoMiSer X models shall be the Honeywell W7220 that provides:
    - 1) 2-line LCD interface screen for setup, configuration and troubleshooting.
    - 2) On-board Fault Detection and Diagnostics (FDD) that senses and alerts when the economizer is not operating properly, per California Title 24.
    - 3) Sensor failure loss of communication identification.
    - 4) Automatic sensor detection.
    - 5) Capabilities for use with multiple-speed indoor fan systems.
    - 6) Utilize digital sensors: Dry bulb and Enthalpy.
  - h. Economizer controller on EconoMiSer 2 models with RTU Open controller shall be a 4 to 20mA design controlled directly by the RTU Open controller. RTU Open controller meets California Title 24 Fault Detection and Diagnostic (FDD) requirements.
  - i. Shall be capable of introducing up to 100% outdoor air.
  - j. Shall be equipped with a barometric relief damper capable of relieving up to 100% return air and contain seals that meet ASHRAE 90.1-2016 and IECC-2015 requirements.
  - k. Shall be designed to close damper(s) during loss-of-power situations with spring return built into motor.
  - l. Dry bulb outdoor air temperature sensor shall be provided as standard. Enthalpy sensor is also available on factory-installed only. Outdoor air sensor setpoint shall be adjustable and shall range from 40°F to 100°F (4°C to 38°C). Additional sensor options shall be available as accessories.



- m. The economizer controller shall also provide control of an accessory power exhaust unit function. Factory set at 100%, with a range of 0% to 100%.
  - n. The economizer shall maintain minimum air-flow into the building during occupied period and provide design ventilation rate for full occupancy.
  - o. Dampers shall be completely closed when the unit is in the unoccupied mode.
  - p. Economizer controller shall accept a 2 to 10 vdc CO<sub>2</sub> sensor input for IAQ/DCV control. In this mode, dampers shall modulate the outdoor air damper to provide ventilation based on the sensor input.
  - q. Compressor lockout temperature on W7220 is adjustable from -45°F to 80°F, set at a factory default of 32°F. Others shall open at 35°F (2°C) and closes at 50°F (10°C).
  - r. Actuator shall be direct coupled to economizer gear. No linkage arms or control rods shall be acceptable.
  - s. Economizer controller shall provide indications when in free cooling mode, in the DCV mode, or the exhaust fan contact is closed.
6. Two-Position Damper (Factory-installed on 3 Phase Models Only. Field-installed on all 3 and 1 Phase Models):
- a. Damper shall be a Two-Position Motorized Damper. Damper travel shall be from the full closed position to the field adjustable %-open setpoint.
  - b. Damper shall include adjustable damper travel from 25% to 100% (full open).
  - c. Damper shall include single or dual blade, gear driven dampers and actuator motor.
  - d. Actuator shall be direct coupled to damper gear. No linkage arms or control rods shall be acceptable.
  - e. Damper will admit up to 100% outdoor air for applicable rooftop units.
  - f. Damper shall close upon indoor (evaporator) fan shutoff and/or loss of power.
  - g. The damper actuator shall plug into the rooftop unit's wiring harness plug. No hard wiring shall be required.
  - h. Outside air hood shall include aluminum water entrainment filter.
  - i. Not available with 2-Speed Indoor Fan Motor System models.
7. Manual damper:
- a. Manual damper package shall consist of damper, air inlet screen, and rain hood which can be preset to admit up to 50% outdoor air for year round ventilation.
  - b. Not available with 2-Speed Indoor Fan Motor System.
8. Head pressure control package (Motormaster<sup>®</sup>):
- a. Controller shall control coil head pressure by condenser fan speed modulation or condenser fan cycling and wind baffles.
  - b. Shall consist of solid state control and condenser coil temperature sensor to maintain condensing temperature between 90°F (32°C) and 110°F (43°C) at outdoor ambient temperatures down to -20°F (-29°C).
9. Condenser Coil Hail Guard Assembly (Factory-installed option on 3 phase models. Field-installed on all 3 and 1 phase models):
- a. Shall protect against damage from hail.
  - b. Shall be louvered style design.
10. Unit-mounted, non-fused disconnect switch:
- a. Switch shall be factory-installed, internally mounted.
  - b. National Electric Code (NEC) and UL approved non-fused switch shall provide unit power shut-off.
  - c. Shall be accessible from outside the unit.
  - d. Shall provide local shutdown and lockout capability.
  - e. Sized only for the unit as ordered from the factory. Does not accommodate field-installed devices.
11. Convenience outlet:
- a. Powered convenience outlet. (Not available on single phase models):
    - 1) Outlet shall be powered from main line power to the rooftop unit.
    - 2) Outlet shall be powered from line side or load side of disconnect by installing contractor, as required by code. If outlet is powered from load side of disconnect, unit electrical ratings shall be UL certified and rated for additional outlet amperage.
    - 3) Outlet shall be factory-installed and internally mounted with easily accessible 115-v female receptacle.
    - 4) Outlet shall include 15 amp GFI receptacles with independent fuse protection.
    - 5) Voltage required to operate convenience outlet shall be provided by a factory-installed step down transformer.
    - 6) Outlet shall be accessible from outside the unit.
    - 7) Outlet shall include a field-installed "Wet in Use" cover.
  - b. Factory-Installed Non-powered convenience outlet.
    - 1) Outlet shall be powered from a separate 115-120v power source.
    - 2) A transformer shall not be included.
    - 3) Outlet shall be factory-installed and internally mounted with easily accessible 115-v female receptacle.
    - 4) Outlet shall include 15 amp GFI receptacles.

## Guide specifications (cont)

- 5) Outlet shall be accessible from outside the unit.
- 6) Outlet shall include a field-installed “Wet in Use” cover.
- c. Field-Installed non-powered convenience outlet.
  - 1) Outlet shall be powered from a separate 115-120v power source.
  - 2) A transformer shall not be included.
  - 3) Outlet shall be factory-installed and internally mounted with easily accessible 115-v female receptacle.
  - 4) Outlet shall include 20 amp GFI receptacles. This kit provides a flexible installation method which allows code compliance for height requirements of the GFCI outlet from the finished roof surface as well as the capability to relocate the outlet to a more convenient location.
  - 5) Outlet shall be accessible from outside the unit.
  - 6) Outlet shall include a field-installed “Wet in Use” cover.
12. Thru-the-base connectors:
  - a. Kits shall provide connectors to permit electrical connections to be brought to the unit through the unit basepan.
  - b. Minimum of three connection locations per unit.
13. Propeller power exhaust:
  - a. Power exhaust shall be used in conjunction with an integrated economizer.
  - b. Independent modules for vertical or horizontal return configurations shall be available.
  - c. Horizontal power exhaust shall be mounted in return ductwork.
  - d. Power exhaust shall be controlled by economizer controller operation. Exhaust fans shall be energized when dampers open past the 0 to 100% adjustable setpoint on the economizer control.
14. Roof curbs (vertical):
  - a. Full perimeter roof curb with exhaust capability providing separate air streams for energy recovery from the exhaust air without supply air contamination.
  - b. Formed galvanized steel with wood nailer strip and shall be capable of supporting entire unit weight.
  - c. Permits installation and securing of ductwork to curb prior to mounting unit on the curb.
15. Medium and High Static Indoor Fan Motor(s) and Drive(s) (04-12):
  - a. Medium and high static motor(s) and drive(s) shall be factory-installed to provide additional performance range.
16. Outdoor air enthalpy sensor:
  - a. The outdoor air enthalpy sensor shall be used to provide single enthalpy control. When used in conjunction with a return air enthalpy sensor, the unit will provide differential enthalpy control. The sensor allows the unit to determine if outside air is suitable for free cooling.
17. Return air enthalpy sensor:
  - a. The return air enthalpy sensor shall be used in conjunction with an outdoor air enthalpy sensor to provide differential enthalpy control.
18. Indoor air quality (CO<sub>2</sub>) sensor:
  - a. Shall be able to provide demand ventilation indoor air quality (IAQ) control.
  - b. The IAQ sensor shall be available in duct mount, wall mount, or wall mount with LED display. The setpoint shall have adjustment capability.
19. Smoke detectors (factory-installed only):
  - a. Shall be a four-wire controller and detector.
  - b. Shall be environmental compensated with differential sensing for reliable, stable, and drift-free sensitivity.
  - c. Shall use magnet-activated test/reset sensor switches.
  - d. Shall have tool-less connection terminal access.
  - e. Shall have a recessed momentary switch for testing and resetting the detector.
  - f. Controller shall include:
    - 1) One set of normally open alarm initiation contacts for connection to an initiating device circuit on a fire alarm control panel.
    - 2) Two Form-C auxiliary alarm relays for interface with rooftop unit or other equipment.
    - 3) One Form-C supervision (trouble) relay to control the operation of the Trouble LED on a remote test/reset station.
    - 4) Capable of direct connection to two individual detector modules.
    - 5) Can be wired to up to 14 other duct smoke detectors for multiple fan shutdown applications.
20. Horn/Strobe Annunciator:
  - a. Provides an audible/visual signaling device for use with factory-installed option or field-installed accessory smoke detectors.
    - 1) Requires installation of a field-supplied 24-v transformer suitable for 4.2 VA (AC) or 3.0 VA (DC) per horn/strobe accessory.
    - 2) Requires field-supplied electrical box, North American 1-gang box, 2-in. (51 mm) x 4-in. (102 mm).
    - 3) Shall have a clear colored lens.

21. Time guard compressor delay control circuit:
  - a. Shall prevent compressor short cycling by providing a 5 minute delay ( $\pm 2$  minutes) before restarting a compressor after shutdown for any reason.
  - b. One device shall be required per compressor.
22. Condensate Overflow Switch (for units with electro-mechanical controls only):
  - a. This sensor and related controller monitors the condensate level in the drain pan and shuts down compression operation when overflow conditions occur. It includes:
    - 1) Indicator light - solid red (more than 10 seconds on water contact - compressors disabled), blinking red (sensor disconnected).
    - 2) 10 second delay to break - eliminates nuisance trips from splashing or waves in pan (sensor needs 10 seconds of constant water contact before tripping).
    - 3) Disables the compressor(s) operation when condensate plug is detected, but still allows fans to run for economizer.
23. Electric Heat:
  - a. Heating Section
    - 1) Heater element open coil resistance wire, nickel-chrome alloy, 0.29-in. inside diameter, strung through ceramic insulators mounted on metal frame. Coil ends are staked and welded to terminal screw slots.
    - 2) Heater assemblies are provided with integral fusing in the single point box (if applicable) for protection of internal heater

circuits not exceeding 48 amps each. Electric heaters other than CRHEATER113B00-116B00 use 24-v control side break/auto-reset or line-break/auto-reset limit switches to protect the unit against over-temperature situations. CRHEATER113B00-116B00 electric heater applications use a combination of 24-v control side break/auto-reset, line-break/non-resettable "one shot" limit switches to protect the unit against over-temperature situations. All heaters use magnetic heater contactors (24-v coil) and terminal block all mounted in electric heater control box (minimum 18 ga galvanized steel) attached to end of heater assembly.

24. Hinged Access panels:
  - a. Shall provide easy access through integrated quarter turn latches.
  - b. Shall be on major panels of filter, control box, fan motor and compressor.
25. Display kit for variable frequency drive:
  - a. Kit allows the ability to access the VFD controller programs to provide special setup capabilities and diagnostics.
  - b. Kit contains display module and communication cable.
  - c. Display kit can be permanently installed in the unit or used on any 2-Speed Indoor Fan Motor System VFD controller as needed.

