

SUBMITTAL RECORD _____
 JOB _____
 LOCATION _____
 SUBMITTED TO _____
 SUBMITTAL PREPARED BY _____
 APPROVED BY _____
 DATE _____



Submittal Form

Slotted Dyn-O-Strut™

DESCRIPTION

Dyn-O-Strut from Duro Dyne is cold-formed to size from low carbon strip steel. It is PreGalvanized.

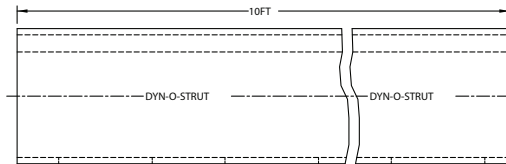
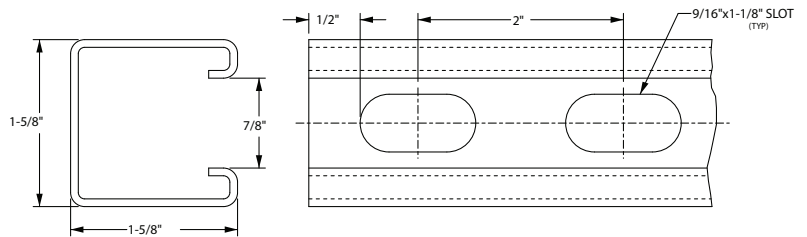
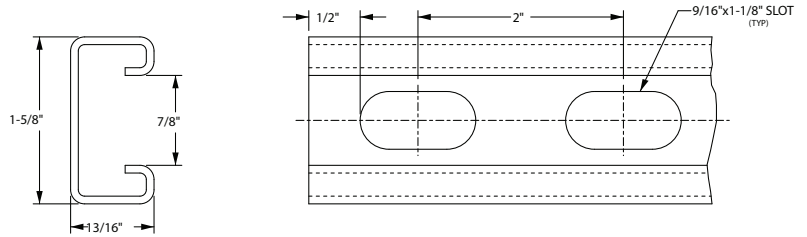
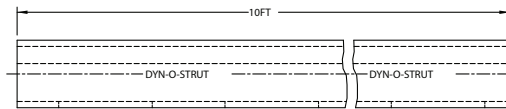
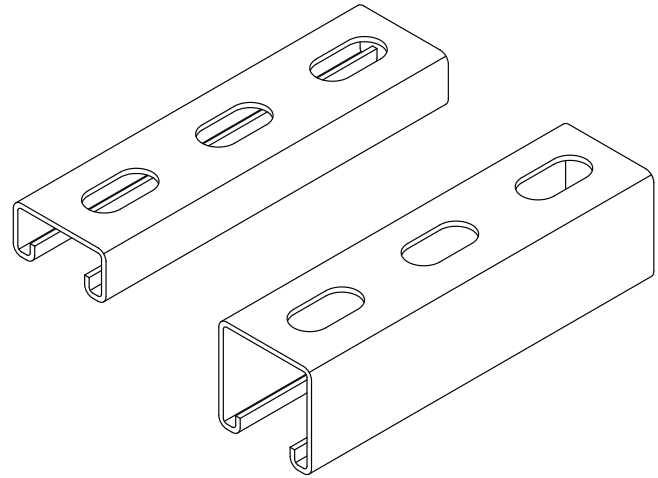
***PRE-GALVANIZED ASTM A-653 GRADE 33 STEEL SHEET ZINC COATED BY HOT DIP PROCESS.**

- nominally about 0.75 mils thick.
- Suitable for extended exposure in dry or mildly corrosive atmospheres
- not generally recommended for outdoor use in Industrial application.

***DIMENSIONS OF PUNCH:**

1-1/8" X 9/16" (28.58 X 14.29) slots on 2" (50.8) centers.

Duro Dyne's Dyn-O-Strut product follows the guidelines of the Metal Framing Manufacturers Association in the manufacture and recommended use of strut systems. In all design applications using strut systems and accessories, proper engineering/design practices should be applied and load limits observed.



ITEM#	CODE	DESCRIPTION	LENGTH
13045	DS1210-158	1-5/8x1-5/8x10ft 12 GA Slotted Dyn-O-Strut - Deep	10'
13049	DS1410-158	1-5/8x1-5/8x10ft 14 GA Slotted Dyn-O-Strut - Deep	10'
13047	DS1410-1316	13/16x1-5/8x10ft 14 GA Slotted Dyn-O-Strut - Shallow	10'
13125	DS1220-158	1-5/8x1-5/8x20ft 12 GA Slotted Dyn-O-Strut - Deep	20'
13126	DS1420-158	1-5/8x1-5/8x20ft 14 GA Slotted Dyn-O-Strut - Deep	20'
13127	DS1420-1316	13/16x1-5/8x20ft 14 GA Slotted Dyn-O-Strut - Shallow	20'

Duro Dyne East Division, Bay Shore, NY 631-249-9000 Fax: 631-249-8346
 Duro Dyne Midwest Division, Hamilton, OH 513-870-6000 Fax: 513-870-6005
 Duro Dyne West Division, Fontana, CA 562-926-1774 Fax: 562-926-5778
 Duro Dyne Canada, Lachine, Quebec, Canada 514-422-9760 Fax: 514-636-0328
 www.durodyne.com E-mail: durodyne@durodyne.com



LOAD RATINGS FOR 12 GAUGE SLOTTED - DEEP

PART #13045 & #13125

Beam Span or Unbraced Column Height	Maximum Column (lbs.)	Uniform Load (lbs.)	Deflection (in.)	Uniform Load@1/240 Span (lbs.)
12	8885.9	2218.5	0.01	2218.5
18	8457.5	1928.65	0.03	1928.65
24	7914.35	1446.7	0.06	1446.7
30	7294.7	1156.85	0.09	1156.85
36	6630.85	964.75	0.13	964.75
42	5948.3	826.2	0.17	826.2
48	5264.05	723.35	0.22	644.3
54	4583.2	642.6	0.28	509.15
60	4010.3	578.85	0.35	412.25
66	3571.7	526.15	0.42	340.85
72	3222.35	481.95	0.51	286.45
84	2699.6	413.1	0.69	210.8
96	2318.8	361.25	0.9	161.5
108	2023.85	321.3	1.13	127.5
120	1785.85	289	1.4	102.85
144	1411	238	2	68
168	-	204	2.72	51
192	-	178.5	3.55	42.5
216	-	161.5	4.58	34
240	-	144.5	5.62	-

Beam Loads: Loads listed are uniformly distributed, for loads concentrated at center of span multiply uniform load by .5 and multiply the deflection by .8 When deflection is not a factor use stress of 25,000 PSI (172.37 mPa). When deflection is a factor use deflection of 1/240 span. *Failure determined by weld shear.

Column Loads: Column loadings are for allowable axial loads for the unsupported heights listed and include a K value of .80. If eccentric, loads should be reduced according to standard practice. Unless otherwise specified, all dimensions in charts are in inches.

Duro Dyne East Division, Bay Shore, NY	631-249-9000	Fax: 631-249-8346
Duro Dyne Midwest Division, Hamilton, OH	513-870-6000	Fax: 513-870-6005
Duro Dyne West Division, Fontana, CA	562-926-1774	Fax: 562-926-5778
Duro Dyne Canada, Lachine, Quebec, Canada	514-422-9760	Fax: 514-636-0328
www.durodyne.com E-mail: durodyne@durodyne.com		



LOAD RATINGS FOR 14 GAUGE SLOTTED - DEEP**PART #13049 & #13126**

Beam Span or Unbraced Column Height	Maximum Column (lbs.)	Uniform Load (lbs.)	Deflection (in.)	Uniform Load@1/240 Span (lbs.)
12	5474.85	1487.5	0.01	1487.5
24	4992.9	1172.15	0.06	1172.15
36	4282.3	781.15	0.13	781.15
48	3436.55	585.65	0.23	515.95
60	2556.8	468.35	0.36	330.65
72	1975.4	391	0.51	229.5
84	1613.3	334.9	0.7	168.3
96	1366.8	293.25	0.91	129.2
108	1187.45	260.1	1.15	102
120	1073.55	234.6	1.42	82.45
144	-	195.5	2.03	59.5
168	-	170	2.81	42.5
192	-	144.5	3.56	34
216	-	127.5	4.48	25.5
240	-	119	5.73	-

LOAD RATINGS FOR 14 GAUGE SLOTTED - SHALLOW**PART #13047 & #13127**

Beam Span or Unbraced Column Height	Maximum Column (lbs.)	Uniform Load (lbs.)	Deflection (in.)	Uniform Load@1/240 Span (lbs.)
12	5258.1	739.5	0.03	739.5
24	4644.4	395.25	0.11	365.5
36	3655	263.5	0.24	162.35
48	2297.55	198.05	0.43	91.8
60	1470.5	158.1	0.68	58.65
72	1020.85	131.75	0.97	40.8
84	-	113.05	1.32	29.75
96	-	98.6	1.73	22.95
108	-	87.55	2.19	17.85
120	-	79.05	2.7	14.45
144	-	68	4.09	-
168	-	51	4.88	-
192	-	51	7.28	-
216	-	42.5	8.64	-
240	--	42.5	11.85	-

Beam Loads: Loads listed are uniformly distributed, for loads concentrated at center of span multiply uniform load by .5 and multiply the deflection by .8 When deflection is not a factor use stress of 25,000 PSI (172.37 mPa). When deflection is a factor use deflection of 1/240 span. *Failure determined by weld shear.

Column Loads: Column loadings are for allowable axial loads for the unsupported heights listed and include a K value of .80. If eccentric, loads should be reduced according to standard practice. Unless otherwise specified, all dimensions in charts are in inches.

Duro Dyne East Division, Bay Shore, NY	631-249-9000	Fax: 631-249-8346
Duro Dyne Midwest Division, Hamilton, OH	513-870-6000	Fax: 513-870-6005
Duro Dyne West Division, Fontana, CA	562-926-1774	Fax: 562-926-5778
Duro Dyne Canada, Lachine, Quebec, Canada	514-422-9760	Fax: 514-636-0328
www.durodyne.com E-mail: durodyne@durodyne.com		

