



MASON INDUSTRIES, Inc.

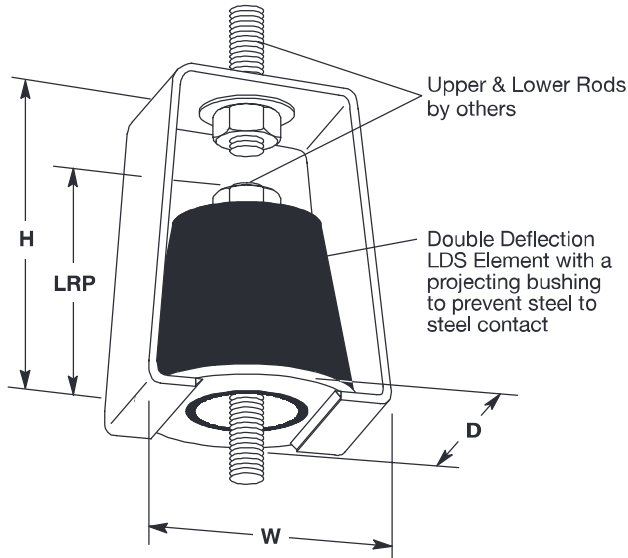
Manufacturers of Vibration Control Products

350 Rabro Drive
Hauppauge, NY 11788
631/348-0282
FAX 631/348-0279
Info@Mason-Ind.com

2101 W. Crescent Ave., Suite D
Anaheim, CA 92801
714/535-2727
FAX 714/535-5738
Info@MasonAnaheim.com
www.Mason-Ind.com

JOB NAME _____
CUSTOMER _____
CUSTOMER P.O. _____
MASON M. _____
DWG No. _____

HD
Double
Deflection
LDS Hangers



LDS stands for **L**ow **D**ynamic **S**tiffness **B**ridge **B**earing
Natural Rubber to minimize noise and vibration transmission.

TYPE HD RATINGS

Type and Size (Color Mark)	Durometer	Rated Capacity Range		Max. Rated Deflection	
		(lbs)	(kg)	(in)	(mm)
HD-Green	40	Up to 35	Up to 16	0.20	5
HD-White	60	35 - 75	16 - 34	0.20	5
HD-A-Black	30	Up to 45	Up to 20	0.35	9
HD-A-Green	40	30 - 75	14 - 34	0.35	9
HD-A-Red	50	60 - 125	27 - 57	0.35	9
HD-B-Red	50	Up to 235	Up to 107	0.40	10
HD-B-White	60	180 - 380	82 - 173	0.40	10
HD-B-Yellow	70	320 - 650	146 - 295	0.40	10
HD-BS-Blue	70	500 - 1000	227 - 455	0.40	10
HD-CS-Blue	70	1000 - 2100	455 - 955	0.40	10
HD-DS-Blue	70	2100 - 4200	955 - 1909	0.40	10

Hanger elements have straight line deflection curves.

LRP - Lower Rod Penetration
MRD - Maximum Rod Diameter

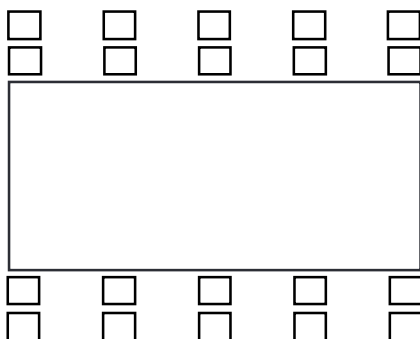
TYPE HD DIMENSIONS

Size	D		H		W		LRP		MRD	
	(in)	(mm)	(in)	(mm)	(in)	(mm)	(in)	(mm)	(in)	(mm)
HD	1 3/4	45	2 1/4	57	1 7/8	48	1 1/4	32	3/8	10
HD-A	2	50	2 3/4	70	2 1/4	57	2 1/4	57	1/2	13
HD-B	3 1/4	83	4 1/2	114	4 1/4	108	3	76	3/4	19
HD-BS	3 1/4	83	4 1/2	114	4 1/4	108	3	76	3/4	19
HD-CS	3 1/4	83	5	127	4 1/4	108	3 1/4	83	7/8	22
HD-DS	4	100	6 1/4	159	4 3/4	121	3 1/4	83	7/8	22

PLAN VIEW OF HANGER LOCATIONS

TAG: _____

UNIT: _____



SPECIFIED DEFLECTION

1:	6:
2:	7:
3:	8:
4:	9:
5:	10:
Sets Required:	