



OWNER'S GUIDE USE AND CARE MANUAL

DUCTED COOLER MODELS:

PD4803 PD6803
PH4803 PH6803



- | | |
|----------------|--------------------|
| * Safety | * Operation |
| * Installation | * Maintenance |
| * Start-up | * Trouble Shooting |

Congratulations: You have purchased a product of superior performance and design, which will give the best service when properly installed, operated and maintained.

This guide will provide you with information needed to mount, operate, inspect, maintain, and troubleshoot your evaporative air cooler.

The first section, Installation and Start-Up, gives details for installation. The second section, Maintenance, contains operational and maintenance instructions, while Troubleshooting includes information on commonly encountered problems.

INSTALLER: Please deliver this guide to owner.

⚠ WARNING - TO REDUCE THE RISK OF FIRE, ELECTRIC SHOCK, OR INJURY TO PERSONS, OBSERVE THE FOLLOWING.

READ AND SAVE THESE IMPORTANT SAFETY INSTRUCTIONS.

- Read all instructions carefully before installation.
- Use only the blower motor and circulating pump(s) combinations marked on the Model Nameplate indicating suitability for use in this model. Any other motors or pumps cannot be substituted.
- Installation work and electrical wiring must be done by qualified person(s) in accordance with all applicable codes and standards, including fire rated construction.
- When cutting or drilling into a wall or ceiling, do not damage electrical wiring or other concealed utilities (water or gas lines, sewer lines, etc.).
- Cooler motor, pump, cabinet and junction box must be grounded in accordance with all local and national codes. A ground wire must be used between the power supply and the cooler.
- Be sure that the cooler is connected to proper line voltage stamped on the pump and blower (fan) motor specification plate. NOTE: Improper voltage will void the pump and/or motor warranties and may cause serious personal injury or property damage.
- Do not operate this blower (fan) motor with any solid-state speed control device.

- Always disconnect electrical power to unit before working on or servicing cooler. More than one disconnect switch may be required to de-energize the equipment for servicing.
- Do not remove access panels while cooler is running, this may cause the blower (fan) motor to overload and damage the motor windings.

NOTE:

- Do not locate unit near exhaust or vent pipes as odors or fumes may be drawn into cooler.
- Use of anode devices, chemical additives or treatments in this cooler will void the warranty.
- Your warranty does not cover shipping damage. Report all shipping damage at once to dealer or carrier making the delivery.
- For future reference, record the model and serial numbers, date and place of purchase of your evaporative cooler here:

Model # _____

Serial # _____

Date of Purchase: _____

Place of Purchase: _____

INTRODUCTION

Your Pro-series evaporative air cooler was thoroughly tested and inspected before leaving the factory. This manual is your guide to proper installation procedures along with information about reasonable care and maintenance that will ensure safe, economical and trouble free cooling. Failure to follow these instructions may damage your cooler, impair its operation, create the potential for serious personal injury and/or void the warranty. **Read it carefully.**

Installation normally involves the connection of the blower opening to a duct system or to a short duct with a ceiling diffuser. For an installation in an existing building, modifications may be necessary. If installation is being done by someone other than a professional HVAC contractor, it is suggested that the installation be thoroughly discussed with a professional person familiar with cooler installation. Don't attempt to perform any part of the installation described in this manual unless you are **fully qualified** to do so.

Carefully read the contents of this manual before beginning the installation process.

CAUTION: All mechanical, plumbing and electrical installations must comply with local and national building and safety codes, and must be performed by qualified personnel only.

NOTE - References in this manual to local or national codes means that those items must comply with applicable installation codes as specified by the building code authority having jurisdiction at the installation location. It is the installer's duty to comply with all building code requirements.

Before attempting to install the cooler, confirm that the following preparations have been made:

- Verify that the supporting surface is strong enough to bear the weight of the cooler when in use; remember that when the system fills with water, the cooler will be much heavier than when dry.
- Make sure you have adequate resources for lifting the cooler.
- Check the electric power supply to see that it matches the requirements shown on the model and motor nameplates.
- Verify that the supporting surface is level in all directions; this is necessary to ensure proper distribution of water into the pad, maximizing cooling performance.
- Confirm that any planned ductwork and electrical supply installation needs comply with local and national codes.
- For ease of installation you can separate the wet section from the blower section by removing the 4 bolts. Unplug the pump and drain pump before separating the sections.

Model Number	Operating Weight (lbs.)
PD / PH 4803	190
PD / PH 6803	220

Location

Your cooler may be a down (PD) or horizontal (PH) discharge model. Down discharge coolers are designed for installation on either flat or pitched roofs (see Fig. 1). Horizontal discharge coolers are designed for installation on the side of a building, ground level installation when mounted on a slab or, using a 90-degree transition duct, on a flat or pitched roof (see Fig. 2). Evaporative air-cooling systems (down or side discharge) can be connected to a duct distribution system with outlet registers for each area to be cooled.

Install coolers in a location where only fresh outside air can enter the cooling system. Avoid installing units in closed-in areas, such as an attic or storeroom, which restricts free air movement around and into the cooler, or near vent pipes, kitchen exhaust, etc.; as obnoxious odors or fumes may be drawn into unit.

NOTE: When coolers are installed within the jurisdiction of the City of Los Angeles (C.O.L.A.) Building codes, they can only be installed on the outside of buildings.

Air Exhausting / Maximum Cooling

Evaporative air coolers will function correctly only if there is a way for the cooled air to exit the building. Windows, vents, doors or other exhaust openings at a point most distant from cooled air inlet should be open to permit free movement of air out of the area being cooled, and to avoid building up excessive pressure inside the space. Proper location of exhaust openings is important as they guide flow of air through areas where cooling is desired.

Since coolers function best when there is plenty of exhaust air, you can leave doors or windows open so your house can breathe. To get the maximum capacity of your cooler, and to help keep insects, dust, dirt, etc out of the cooled space, the building/space should be maintained at a slightly positive air pressure (airflow going into the building should be slightly more than the air that is leaving).

How much should you open your windows? You should open your windows until the air pressure inside the house is nearly balanced with the air outside. One method used to determine when the air is reasonably balanced is to place a tissue paper against the screen in the window furthest from the cooler and adjust the opening of the other windows in the house until the tissue paper stays lightly on the screen. This is usually about 2 square feet of opening per 1000 cfm of air produced by the cooler. You can adjust different windows in the house to direct the most airflow to the areas that are occupied during different times of the day or night (example: living room windows during the daytime, bedroom windows at night.)

To eliminate a rush of warm air when starting the cooler be sure to turn on the pump for a few minutes to completely wet out the pads before turning the blower on.

Duct System

Air can be delivered over a distance to individual rooms or areas by means of a duct system. The duct system, which is tailored to fit the building, should be designed, fabricated and installed by a competent HVAC sheet metal contractor, preferably while building is under construction.

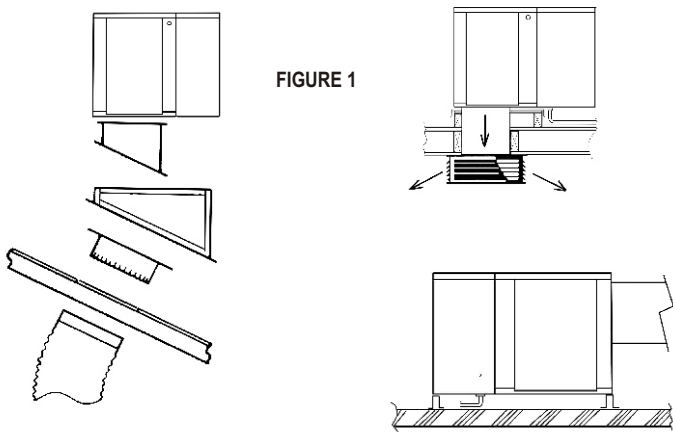


FIGURE 1

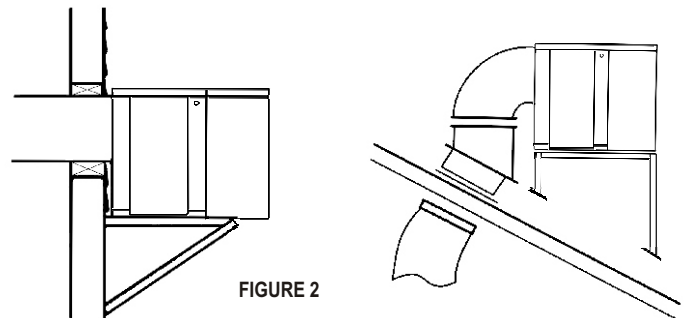


FIGURE 2

INSTALLATION

CAUTION: All electrical installations must comply with local and national building & safety codes; all work must be performed by qualified personnel only.

CAUTION: Disconnect all electrical power to the cooler before attempting to install, open, or service your cooler. If the cooler is thermostatically controlled, the thermostat must not be used as the power supply disconnect, as it may reset and start the unit unexpectedly.

CAUTION: If the cooler is supported by legs attached to each corner, the middle of the cabinet where the two sections join must be supported as well.

CAUTION: Do not screw or drill within 6 inches of the bottom of the wet section of the cooler, you could puncture the plastic water reservoir.

WARNING: Pump receptacles are for grounded evaporative cooler pumps only. Do not plug any other electrical equipment into the receptacles.

Even while routinely inspecting or servicing the inside, the cooler can be accidentally started. Keep all personnel away from the cooler and electrical supply when you are working on it. Before servicing or cleaning unit, switch power off at the service disconnects. Do not turn power to unit on until installation or service work is complete.

For maximum safety, make sure cooler cabinet, blower motor and pump are properly grounded to a suitable ground connection as required by all local and national codes.

Electrical Installation

THIS COOLER IS PRE-WIRED FOR 115 VOLT , 60 Hz POWER ONLY.

NOTE: Improper voltage connections will void all warranties.

Mount Weatherproof Disconnect Switch Box

Located inside the parts box are the items required to mount the switch box to the cooler. Mount the switch box as follows:

1. From inside of the cabinet (8), insert chase nipple (1) thru 7/8" hole and fasten it tightly to the cabinet with the conduit jam nut (2).
2. Screw the switch box (3) onto the chase nipple (1) until tight and box is aligned vertically.
3. Insert the power supply wires from circuit board thru chase nipple into switch box.

Connect Power Supply

CAUTION: The external power supply to the unit must be adequately grounded and protected against overloads and short circuits per all national and local codes.

Run power supply to disconnect switch box and connect to the poles of the switch (4). Refer to the wiring diagram on the control box cover to complete the electrical installation of your cooler. Secure the switch into the box and install the gasket and switch cover (5).

Thermostat Cable Installation

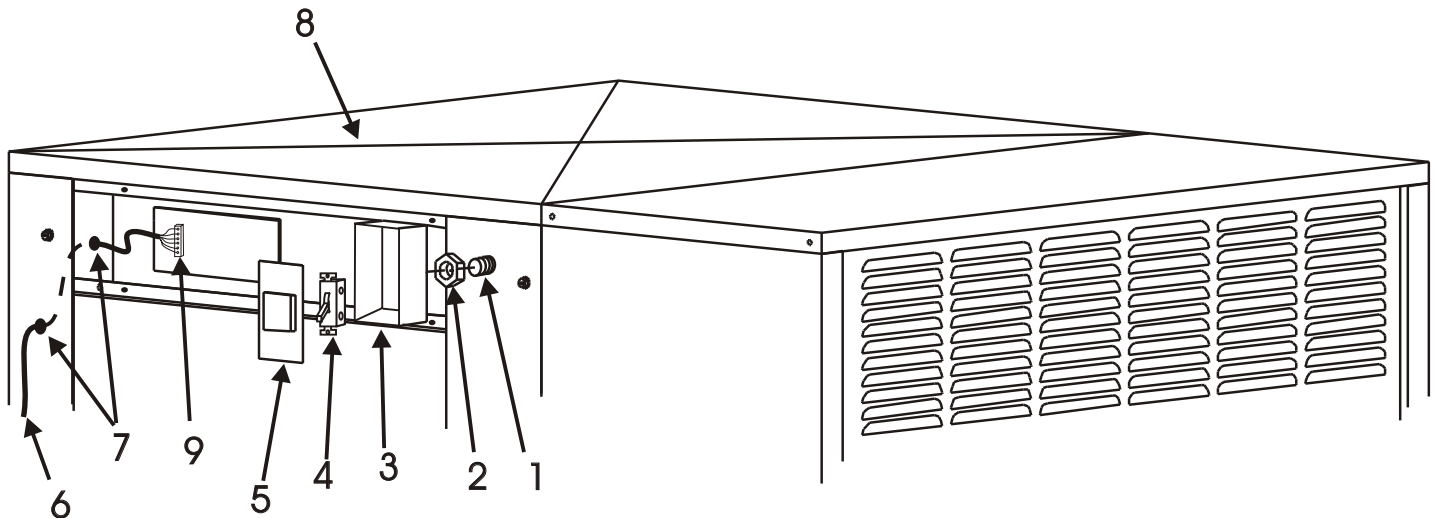
The thermostat for this cooler is connected to the control panel by means of a thermostat cable (6 conductor minimum, not provided). Type CL2, 18 or 20 gauge, UL Listed thermostat wire is recommended.

- 1) Route one end of the thermostat cable (6) through the 1/2" hole in the corner post on the left side of the access door and then through the 1/2" hole in the left end of the control box.
- 2) Insert the individual conductors of the thermostat cable (6) into the terminal block connections (9) on the left side of the printed circuit board. Connect colored wires to terminals as follows:

White to 'C'	Brown to 'H'	Red to 'L'
Green to 'P'	Yellow to 'D'	Blue to 'R'

Tighten screws carefully.

- 3) Install strain relief bushings (7) over the thermostat cable into the 1/2" holes in the corner post and control box, allowing a slight amount of slack - do not stretch the thermostat cable tight. Replace the control box cover and tighten the 4 screws.
- 4) Select a location for the thermostat:
 - Mount the thermostat about 5 to 6 feet above the floor.
 - Mount the thermostat on an interior wall, not on an outside wall.
 - Do not mount near sources of heat or in direct sunlight.
 - Do not mount in the direct draft from cooler air registers.
 - Avoid dead air spaces which have little air circulation.
- 5) Install the thermostat using the "Mounting Instructions for Thermostat" furnished with the cooler.



- | | | | | |
|---------------------|---------------------------|-------------------|--|-----------------------|
| 1) Chase Nipple | 2) Jam Nut | 3) Junction Box | 4) Disconnect Switch | 5) Junction Box Cover |
| 6) Thermostat Cable | 7) Strain Relief Bushings | 8) Cooler Cabinet | 9) Terminal Block for Thermostat Cable | |

Belt Tension Adjustment

CAUTION: Disconnect all electrical power to the cooler and insure that belt is not rotating before adjusting belt tension. Do not adjust belt tension by changing diameter of motor pulley. Adjust belt tension only by adjusting motor bracket.

Correct belt tension and alignment is important, proper setup reduces power consumption and prolongs life of belt and motor. Check belt tension by squeezing belt. Proper tension will allow deflection of 1/2 to 3/4 inch. To increase or decrease belt tension, loosen bolt in slot of motor support bracket. Adjust belt to proper tension and retighten bolt.

Do not tighten belt by adjusting motor pulley.

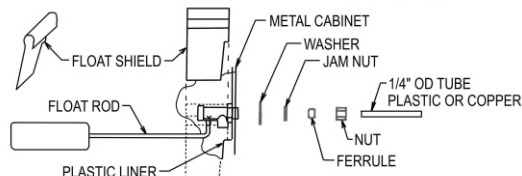


Connect Water Supply

CAUTION: All plumbing installations must comply with local building and safety codes, and must be performed by qualified personnel only.

NOTE: Coolers should not be connected to "soft" water systems. Soft water will accelerate corrosion and decrease the effective life of pads and cooler cabinet. Connect water line as follows:

- A water supply valve should be installed at a convenient location, to allow the water supply to be turned on and off for servicing or winterizing. Minimum 1/4" diameter tubing should be used to provide water to the cooler, larger tubing is recommended if the distance from the valve to the cooler is greater than 100 feet, then reduced to 1/4" at the unit.
- Install float valve through the hole in the side panel opposite the pump.
- Connect tubing from water supply to float valve. Place compression nut and ferrule over end of tubing, insert tube into float valve then tighten compression nut to secure.



Install Overflow Standpipe / Drain Line

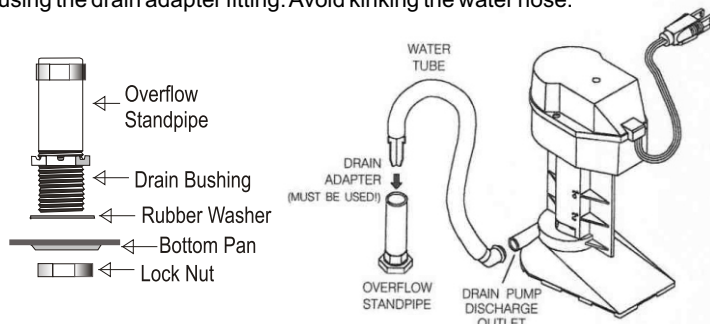
Install overflow drain bushing in bottom of cooler as follows:

- Slide rubber washer over drain bushing.
- Push drain bushing through bottom of cooler, assemble and tighten lock nut.
- Screw plastic overflow standpipe into the drain bushing and tighten snugly (hand tight) to prevent leakage.
- Connect a suitable drain line (copper / PVC / garden hose) to drain bushing. Avoid draining water onto a roof; mineral build-up or damage to roof may occur.

NOTE: Drain water in accordance with local plumbing codes.

Install Pro Cleaning System (PCS)

To minimize mineral scale "build-up", your cooler has a PCS assembly pre-installed. The PCS will drain the cooler water every 5 hours of operation, allowing the cooler to refill with fresh water. To complete the installation, find the pump plugged into the receptacle marked 'DRAIN PUMP' and insert the end of its water hose to the overflow standpipe, using the drain adapter fitting. Avoid kinking the water hose.



Adjust Motor Pulley

When the cooler is connected to extended ductwork, the cooler capacity and motor amperage may decrease due to the increased duct resistance. The adjustable motor pulley is to be used ONLY to return the cooler motor to its maximum allowable amperage and should not be readjusted except for this purpose.

CAUTION: Do not exceed the maximum motor amperage (FLA) stamped on the motor specification plate or motor can be overloaded, damaging motor.

Check amperage with all doors, windows and exhaust vents open and/or all relief systems operating.

Improper pulley adjustment will overload and severely damage motor windings (this damage will NOT be covered under warranty). Only qualified persons with proper electrical equipment and knowledge should adjust variable pitch motor pulleys.

CAUTION: Never operate unit with access panels removed. This will result in an overloaded condition and may damage the blower motor.

GENERAL INSPECTION

Initial Start-up or Annual Inspection

CAUTION: Disconnect all electrical power to the cooler before attempting to install, open, or service your cooler. If the cooler is thermostatically controlled, the thermostat is not to be used as the power supply disconnect, as it may reset and start the unit unexpectedly.

Before start-up of the cooler for the first time, or at the beginning of each cooling season, make sure that all required connections, adjustments, etc. have been made. Verify that:

- ✓ Cooler mounting is level; ductwork is sealed.
- ✓ Cabinet is securely fastened to mounting.
- ✓ Cooler cabinet is properly grounded. Electrical connections are correctly made, safe and secure.
- ✓ Motor, pump, drain, float valve, etc. are correctly installed and fully functional.
- ✓ Water line securely connected, turned on, no leaks noted.
- ✓ Float adjusted for proper water level.
- ✓ Pump impeller turns free and smooth. If in doubt, remove impeller cover (see "Cleaning Pump") and check rotation.
- ✓ Blower wheel, shaft, pulley and motor sheave bolts / setscrews are tight.
- ✓ Motor sheave / Blower pulley alignment okay; belt correctly tensioned, blower wheel turns freely.

Start-up Check List

CAUTION: Never operate cooler with access panels removed. This will result in an overloaded condition and may damage the blower motor.

To verify and check out the cooler installation on initial or annual start-up, the following procedure should be followed.

- ✓ Turn electrical supply to pump on.
- ✓ Verify that pump starts and pads are evenly wet.
- ✓ Open building exhaust / relief vents (windows, doors, etc.)
- ✓ Turn electrical supply to blower motor on.
- ✓ Observe that motor starts and runs, check each speed (where applicable) and confirm air delivery.
- ✓ Verify motor amperage does not exceed nameplate.
- ✓ No leaks from water lines, cabinet, etc.
- ✓ Cooler pads: even wetting, no dry streaks.
- ✓ Confirm water level depth setting is correct.
- ✓ Blower wheel / motor rotates freely, no unusual noises.
- ✓ Belt condition / tension / alignment OK.

In case of trouble on any of these steps, refer to the Troubleshooting Chart on page 6.

MAINTENANCE SCHEDULE

Regular maintenance and periodic inspection is the key to long and successful service from your Pro-series cooler. The cooler should receive major servicing at least once a year, more often if conditions require (dusty environment, constant use, poor water quality, etc.) For maximum cooling efficiency, long life and appearance, every two months during operation, the cooler should be inspected and cleaned.

NOTE: Do Not Undercoat the Water Reservoir

The parts of your cooler that are in contact with water are protected by plastic liners. The plastic surfaces should be very easy to clean, but care must be taken to avoid damaging them. All foreign materials, mineral scale, hard water deposits, dirt, etc. should be removed from plastic liners, water pan and other components by using warm water and a soft cloth. Use of any asphalt 'cooler coats' or other types undercoating may damage the plastic and will void your warranty.

NOTE: Do not use cooler cleaners, cooler treatments, anodes or other chemical additives in this evaporative cooler. Use of any additives or water treatment other than the furnished bleed-off will void your warranty and may impair the life of the cooler.

Before starting any maintenance operation, thoroughly read all operating and maintenance instructions and observe all cautions and warnings.

Cleaning

CAUTION: Never wash your cooler cabinet with a garden hose; water may harm motor and pump or seep into ductwork. Motors damaged by water are NOT covered under warranty.

All foreign materials, mineral scale, hard water deposits, dirt, etc. should be removed from pad frames, water pan and other components. Your cooler's long lasting finish can be brought to like-new condition by using warm water and a soft cloth.

Maintenance & Inspection

IMPORTANT: Before operating cooler at the beginning of each cooling season, turn blower wheel, cooler motor and pump motor shafts by hand to make sure they turn freely. Failure to do so may result in burning out motor.

Periodic inspection of your cooler will enhance the chance for long, trouble-free service life. For maximum efficiency, every two months during operation, or any time the cooler is opened, the cooler should be inspected. Some suggested items to look for:

- ✓ Check for leaks from water lines, cabinet, etc.
- ✓ Any dry spots or streaks on pads when pump is operating?
- ✓ Are bolts, nuts and set screws still snug?
- ✓ Are the bearings, etc., making any unusual noises?
- ✓ Does the blower wheel turn freely?
- ✓ Is float level set correctly?
- ✓ Is water in the bottom pan clean?
- ✓ Belt condition / tension / alignment OK?

Adjust Belt Tension

Each time you inspect your cooler, be sure to check belt tension on motor and blower assembly. Check belt condition and replace it if frays or cracks appear. Check alignment of blower pulley with motor pulley (see page 4 for detailed steps).

Draining

Drain the cooler (with power off and pads removed) as follows:

- Connect a drain hose to the drain fitting on the bottom of the reservoir, if not already connected to drain line.
- Remove overflow standpipe from the drain fitting.
- Drain and clean reservoir (avoid draining water onto a roof, mineral build-up or damage to roof may occur).

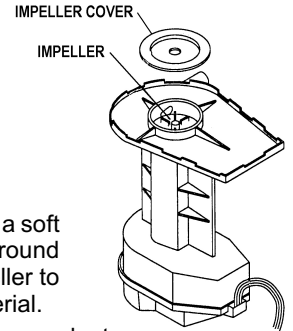
Cleaning Water Pump & Hose

CAUTION: Disconnect all electrical power to the cooler before attempting to install, open, or service your cooler. If the cooler is thermostatically controlled, the thermostat is not to be used as the power supply disconnect, as it may reset and start the unit unexpectedly.

CAUTION: Do not allow pump to fall over and become submerged; water will damage pump motor.

Clean water pump and hose assembly as follows:

- Unplug pump cord, remove mounting bracket screw and remove pump from cooler. Shake gently to remove water.
- To prevent breakage, carefully release the snap-out impeller cover plate and remove cover plate from the pump body.
- Using a mild detergent solution and a soft cloth, clean deposits from screen, around impeller and cover plate. Spin impeller to dislodge any remaining foreign material.
- Remove any foreign material in the hose adapter (between the pump and hose), or between the hose and the water distributor assembly.
- Rinse and reinstall impeller cover plate.
- Reinstall pump and reconnect pump cord.



Touch-Up

The hardness, adhesion and smoothness of our Peblar XT® appliance-type finish on the internal and external surfaces of your cooler makes it extremely unlikely that scratches or chipping will occur. Your cooler's long lasting finish can be brought to like-new condition by using warm water and a soft cloth.

NOTE: Avoid using scouring pads, steel wool or wire brushes, as these will damage the finish and encourage corrosion.

In the event that finish damage does occur, it should be promptly repaired by the following procedures:

1. Sand the area around bare metal spots.
2. Prime and paint with a quality paint.

Do not use asphalt type cooler undercoat material in water reservoir.

Lubrication

Motor Bearings

Some motors used in Pro-series coolers have ports for lubricating the motor and are oiled at the factory. If the need for oiling is indicated, see individual motor nameplate for specific instructions on re-lubricating the motor. Under normal use, these motors require oiling about every 12 months of operation. **Do Not Over-Oil.**

Blower Shaft Bearings

Blower shaft bearings need periodic lubrication. They should be checked 20-30 days after initial start-up of operation. The oil cups on the bearings should be filled with a good grade of SAE 20W or 30W non-detergent oil when necessary. Under normal use, oiling is required every three months of operation. **Do Not Over-Oil.**

Pump Motor Bearings

The pump motor does not require lubrication.

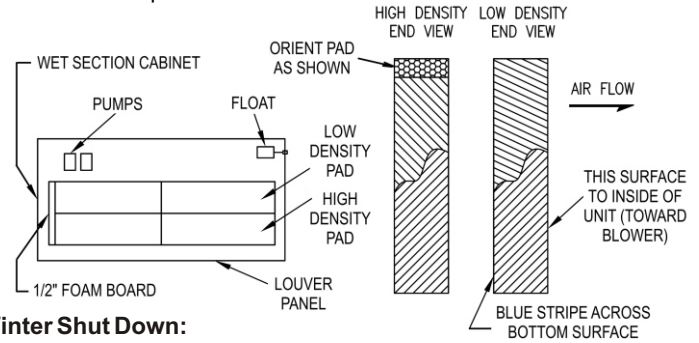
Changing Cooler Pads

CAUTION: Disconnect all electrical power to the cooler before attempting to install, open, or service your cooler. If the cooler is thermostatically controlled, the thermostat is not to be used as the power supply disconnect, as it may reset and start the unit unexpectedly.

The condition of your cooler pads should be checked at least once a year; at the beginning of the season is best. However, your pads may need to be checked more frequently, depending on local air and water conditions. Clean or replace pads as follows:

1. Disconnect power from unit.
2. Remove pads from wet section cabinet as follows:
 - a. Remove inlet louver panel, top pan, water distributor cover and tube assembly from cabinet.
 - b. Remove pads by tilting slightly forward and carefully lifting up and out. If passages are clogged or pad is dirty, hose off inlet face of pad. Light, *gentle* brushing of the inlet edges of the pad with a stiff bristle brush (do not use a wire brush) will not harm the pad and will remove more stubborn scaling..
 - c. If necessary, replace with new pads, available from your dealer. Aspen, expanded paper or other types of evaporative cooling pads will not work and will void your warranty.
3. Using a mild detergent, wash dirt and scale from the inside of the wet section cabinet. Wire brushing is not recommended. If finish is damaged or rusting is noted, repair as noted in the "Touch-Up" section. Rinse with fresh water.

4. Reinstall pads, making sure they are positioned correctly (painted stripe on pad placed to the bottom, facing outside).
5. Reinstall water distributor cover and tube assembly, top pan and inlet louver panel.



Winter Shut Down:

- *Always* drain all of the water out of the cooler and water supply line when not in use for prolonged periods, and particularly at the end of the season. Keep the water line disconnected from both the cooler and the water supply so it does not freeze.
- *Disconnect* power from cooler during extended periods of non-use.

REPLACEMENT PARTS

When ordering replacement parts, always refer to the serial and model number of your cooler. Use the part numbers listed in the accompanying parts list, as illustrated in the diagrams for your model.

TROUBLESHOOTING GUIDE:

Should an obvious problem occur with your cooler consult the following table. If you cannot correct the problem, or if it persists, contact qualified service personnel.

PROBLEM / SYMPTOM	POSSIBLE CAUSE	CORRECTIVE ACTION
Water draining from unit	Float valve out of adjustment	Adjust float to 2 1/2" water depth
	Float movement obstructed	Free float from obstruction
	Non-functional float valve	Replace float assembly
Dry pads	Pump intake clogged	Remove obstruction
	Non-functional water pump	Replace water pump
	Clogged water line	Locate and free obstruction
	Water distributor clogged	Clear debris from distributor
	Non-functional control or thermostat	Replace control or thermostat
	Non-functional wiring	Repair or replace non-functional wiring
	Water turned off to cooler	Turn on water supply
Motor does not start or no air delivery	Electrical power disconnected	Check power receptacle and cord
	Belt too loose or too tight	Adjust belt tension
	Non-functional motor	Replace motor
	Non-functional control or thermostat	Replace control or thermostat
	Broken belt	Replace belt
Inadequate air delivery	Insufficient air exhaust	Open windows to increase air flow
	Belt too loose	Adjust belt tension or replace is needed
	Pads plugged	Replace pads
Motor cycles on & off	Low voltage	Check voltage
	Excessive belt tension	Adjust belt tension
	Blower shaft tight or locked	Oil or replace bearings
	Bearings dry	Oil bearings
	Motor pulley diameter too large	Adjust to full load ampere rating on motor
	Non-functional motor	Replace motor
Noisy operation	Blower rubbing on housing	Reposition wheel
	Motor sheave or blower set screws loose	Tighten set screws
Excessive humidity in house	Inadequate exhaust	Open doors and windows to increase ventilation



GUÍA DEL PROPIETARIO MANUAL DE USO Y CUIDADO

MODELOS de ENFRIADOR:

PD4803 PD6803

PH4803 PH6803

* Seguridad	* Operación
* Instalación	* Mantenimiento
* Inicio	* Trazando Fallas



Felicitaciones: Usted acaba de comprar un producto de superior rendimiento y diseño, que la dará el mejor servicio cuando sea propiamente instalado, operado y mantenido.

Este manual fue diseñado para proporcionarle a usted y a su instalador la información necesaria para montar, operar inspeccionar, mantener y encontrar cualquier falla en su enfriador.

La primera sección de Instalación e Inicio, es especialmente para el instalador. La sección segunda, Mantenimiento, contiene instrucciones de operación y mantenimiento para el propietario, mientras que la sección de Detección de Problemas incluye información sobre los problemas mas comunes.

⚠ ADVERTENCIA - PARA REDUCIR EL RIESGO DE INCENDIO, DESCARGA ELÉCTRICA O LASTIMADURAS A PERSONAS, OBSERVE LO SIGUIENTE:

LEA Y CONSERVE ESTA INSTRUCCIONES IMPORTANTES DE SEGURIDAD

- Lea estas instrucciones cuidadosamente antes de instalar, operar o dar servicio a la unidad.
- Use solamente las combinaciones para el motor del soplador y de la bomba(s) marcado en la placa del modelo indicando que están propios para el uso en este modelo. No sustituya con otro modelo de motores o bombas.
- El trabajo de instalación y alambrado eléctrico se debe llevar a cabo por personal competente de acuerdo con los códigos y estándares, incluyendo construcción que prevenga incendios.
- Al cortar o perforar en la pared o cielo, no dañe el alambrado eléctrico u otros servicios escondidos (lineas de agua, gas o drenaje, etc.)
- El motor del enfriador, la bomba, el gabinete y la caja de empalme tienen que conectarse a tierra de acuerdo con todos los códigos locales y nacionales. Un alambre de tierra eléctrica tiene que ser usado entre el enfriador y la fuente de poder.
- Asegúrese que la unidad sea conectada a una línea propia de voltaje como lo indica la placa del motor y la bomba. **NOTA:** voltaje impropio anulará la garantía del motor y la bomba y podría causar serias lastimaduras o daños a la propiedad.
- No opere el motor de la turbina con dispositivos transistorizados para controlar la velocidad.

- Siempre desconecte la energía eléctrica antes de trabajar o darle servicio al enfriador. Posiblemente se requiera apagar más de un interruptor para desconectar la corriente hacia el equipo para darle servicio.
- No remueva los paneles de acceso de la unidad cuando esté funcionando, esto puede causar que el motor de la turbina se sobre cargue y dañar el devanado del motor.

NOTA:

- No instale el enfriador cerca de extractores o tubos de ventilación ya que olores o vapores pueden ser inducidos en la unidad.
- El uso de ánodos, aditivos químicos o tratamientos en esta unidad anulan la garantía.
- Su garantía no cubre daños de envío. Reporte cualquier daño de envío de inmediato al distribuidor o al transportador realizando la entrega.
- Para futura referencia, anote el modelo, número de serie, fecha y lugar de compra de su enfriador evaporativo:

Modelo #: _____

Serie #: _____

Fecha de Compra: _____

Lugar de Compra: _____

INTRODUCCIÓN

Su enfriador fue detalladamente probado e inspeccionado antes de salir de la fábrica. Este manual es una guía de procedimientos para una instalación propia junto con información de un cuidado razonable y mantenimiento que le asegurará un enfriamiento seguro, económico y sin problemas. El no seguir estas instrucciones puede dañar su enfriador, incapacitar su operación, crear un potencial para una seria lastimadura personal y/o anular la garantía.

Lea cuidadosamente

La instalación normalmente envuelve la conexión de la descarga del enfriador a la sistema de ducto o a un ducto de caída con un difusor de cielo. Para una instalación nueva, será necesario modificar el edificio. Si la instalación no es hecha por un contratista profesional HVAC, se sugiere que la instalación sea discutida con una persona profesional en ventas familiarizada con instalación de enfriadores. No intente llevar a cabo ninguna parte de la instalación descrita en este manual al menos que sea competente para hacerlo.

Lea este manual completamente antes de instalar su enfriador.

PRECAUCION: Todas las instalaciones mecánicas, de plomería y eléctricas deben cumplir con los códigos locales, nacionales, edificación y seguridad, y llevadas a cabo por personal capacitado solamente.

NOTA: Referencias en este manual a: National Electric Code (N.E.C.), códigos locales o nacionales indica que estos detalles tienen que cumplir con los códigos de instalación como lo especifica la autoridad del código de edificación que tenga jurisdicción en el lugar de la instalación. El cumplir con todos los requerimientos es la responsabilidad del instalador.

Antes de intentar instalar el enfriador, asegúrese que las siguientes preparaciones se hayan hecho:

- Asegúrese que la superficie de soporte es lo suficiente fuerte para soportar el peso del enfriador cuando esté en uso; recuerde cuando el depósito está lleno de agua, el enfriador pesará mucho más que vacío.
- Asegúrese de tener recursos adecuados.
- Revise el suministro de electricidad para ver si va de acuerdo con los requerimientos indicados en las placas del motor.
- Verifique que la superficie de soporte esté nivelada en todas direcciones; Esto es necesario para una propia distribución de agua en del filtros, maximizando la calidad de enfriamiento.
- Confirme que todo trabajo de instalación de conductos y eléctricos tengan que cumplir con los códigos locales y nacionales.
- Para una instalación más fácil, puede separar la sección de agua de la sección rueda. Desenchufe las dos bombas antes de separar las secciones.

Modelo Numero	Operación pesará (libras)
PD / PH 4803	190
PD / PH 6803	220

Ubicación

Su enfriador ya sea modelo de descarga abajo (PD) o de descarga lateral (PH). Enfriadores de descarga abajo son diseñados para su instalación en techos planos o con declive (vea figura 1). Enfriadores de descarga lateral son diseñados para su instalación en el costado del edificio, montados a nivel de tierra en una losa, o usando un ducto de transición de 90 grados, en techos con declive o planos (vea figura 2). Sistemas de aire por evaporación (descarga abajo o lateral) pueden ser conectados a un sistema de ductos de distribución con salidas de registros para cada área que se va a enfriar.

Instale enfriadores en un sitio donde solamente aire fresco de afuera entre al sistema de enfriamiento. Evite el instalar las unidades en áreas cerradas, tal como desvanes o cuarto de almacén, que restringen el movimiento libre del aire alrededor y la entrada del enfriador, o cerca de tubos de venteo, extractores de cocina, etc.; ya que repugnantes olores o vapores pueden ser inducidos por la unidad.

NOTA: Cuando los enfriadores son instalados dentro de la jurisdicción de los códigos de edificación de la Ciudad de Los Ángeles, solamente pueden ser instalados en la parte de afuera del edificio.

Salidas de aire / Enfriamiento Máximo

Los enfriadores de aire por evaporación funcionan correctamente si hay manera para que el aire enfriado salga del edificio. Ventanas, ventilaciones, puertas u otras aberturas de extracción en el punto más distante de la entrada de aire se deben abrir para permitir el movimiento libre del aire fuera de las áreas que se estén enfriando, y para evitar el aumento de presión dentro del espacio. Propias aberturas en las salidas de extracción es importante porque guían el flujo del aire a través de las áreas donde enfriamiento es deseado.

Ya que los enfriadores funcionan mejor cuando el escape de aire es en abundancia, usted puede dejar puertas o ventanas abiertas para que su casa pueda respirar. Para obtener la capacidad máxima de su enfriador, y ayudar a mantener insectos, polvo, tierra, etc fuera del espacio enfriado, el espacio / edificio debe mantenerse ligeramente a una presión positiva (aire entrando el edificio sea más que el que sale)

¿Que tanto debe haber sus ventanas? Debe haber sus ventanas hasta que el aire dentro de la casa casi se balance con el aire de afuera. Un metodo usado para determinar si el aire esta razonablemente es el de poner un pedazo de papel en contra del alambre mosquitero de la ventana más lejana al enfriador y ajustar la abertura de las ventanas hasta que el papel se quede ligeramente en el alambre mosquitero de la ventana. Esto es usualmente 2 pies cuadrados de abertura por cada 1000 pcm de aire producidos por el enfriador. Usted puede ajustar diferentes ventanas en la casa para dirigir más flujo de aire a las areas que estén ocupadas durante diferentes tiempos del día o la noche (ejemplo: ventanas de la sala durante el día, de la recámara durante la noche)

Para eliminar el torrente de aire caliente al poner a funcionar el enfriador, asegurese de encender la bomba unos minutos antes para humedecer los filtros antes de poner a funcionar la turbina.

Sistema de Conducto

El aire puede ser llevado a largas distancias para cuartos individuales o áreas por medio de sistema de conductos. El sistema de conductos recortados para hormarse al edificio, deben ser diseñados, fabricados e instalados por un contratista competente en hojalatería HVAC, preferible mientras que el edificio está bajo construcción.

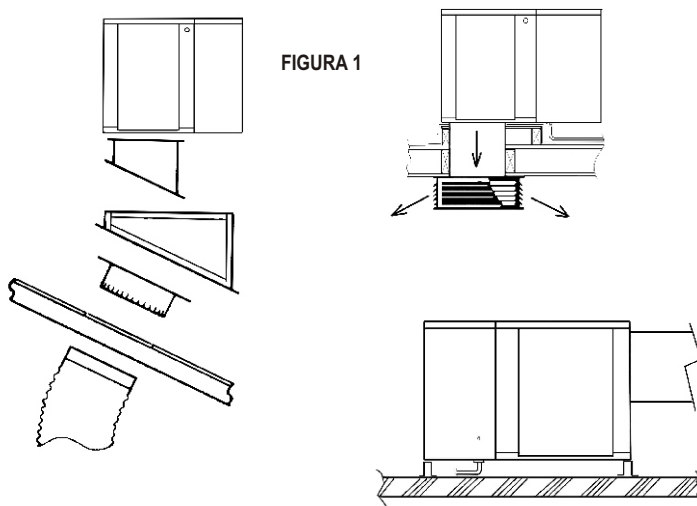


FIGURA 1

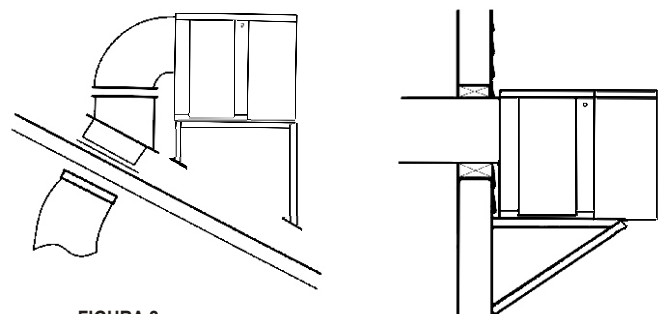


FIGURA 2

INSTALACIÓN

PRECAUCION: Todas las instalaciones eléctricas deben cumplir con los códigos locales, nacionales, edificación y seguridad, y llevadas a cabo por personal capacitado.

PRECAUCION: Desconecte toda la corriente eléctrica del enfriador antes de intentar instalar, abrir, o darle servicio a su enfriador. Si el enfriador es controlado con termostato, no lo use como manera de cortar el suministro de corriente, ya que puede activar la unidad inesperadamente.

PRECAUCION: Si instale la unidad con piernas a cada esquina, también debe soportar el gabinete en el donde se ensamblan las dos secciones.

PRECAUCION: No atornille ni taladre a 6 pulgadas del fondo de la sección de agua., Usted podría pinchar la bandeja plástico acumuladora de agua.

ADVERTENCIA: Los enchufes de la bomba están para las bombas puestas a tierra del enfriador evaporativo solamente. No enchufe cualquier otra equipo en los enchufes.

Aún cuando rutinariamente se inspeccione o de servicio al interior, el enfriador puede empezar accidentalmente. Mantenga todo el personal alejado del enfriador y suministro de corriente al trabajar en él. Antes de darle servicio o limpiar la unidad, corte la corriente en la caja de servicio. Cuando no pueda asegurar los interruptores, escriba una nota que resalte a la vista en la caja de servicio. No prender el suministro de corriente hacia la unidad hasta que la instalación o trabajo de servicio este completo.

Para máxima seguridad, asegúrese que el gabinete, motor y la bomba(s) está propiamente conectadas a una conexión de tierra adecuada como lo requieren todos los códigos locales y nacionales.

Instalación Eléctrica

ESTE ENFRIADOR ESTA PRE-ALAMBRADO PARA FUENTES DE 115 VOLTIOS, 60 Hz SOLAMENTE.

NOTA: Conexiones impropias de voltaje anularán todas las garantías.

Monte la caja a prueba de intemperie con el interruptor

Dentro de la caja de partes están los artículos requeridos para montar la caja del interruptor al enfriador. Monte la caja del interruptor como sigue:

1. De adentro del gabinete (8), inserte el niple (1) a través del agujero de 7/8" bien sujetado al gabinete con la contratuerca (2).
2. Atornille la caja del interruptor (3) al niple (1) hasta que esté apretado y la caja alineada verticalmente.

3. Inserte los alambres de la fuente de poder de la tableta de circuito a través del niple hacia la caja del interruptor.

Conecte la fuente de poder

PRECAUCION: La fuente de poder externa hacia la unidad debe estar adecuadamente a tierra eléctrica y protegida en contra de sobrecargas y cortocircuitos de acuerdo con los códigos locales y nacionales.

Haga las conexiones de la fuente de poder a la caja del interruptor y conecte los polos del interruptor (4). Refiérase al diagrama de alambrado en la cubierta de la caja del control para completar la instalación eléctrica de su enfriador. Sujete el interruptor a la caja e instale el empaque en la cubierta del interruptor (5).

Instalación del Cable del Termostato

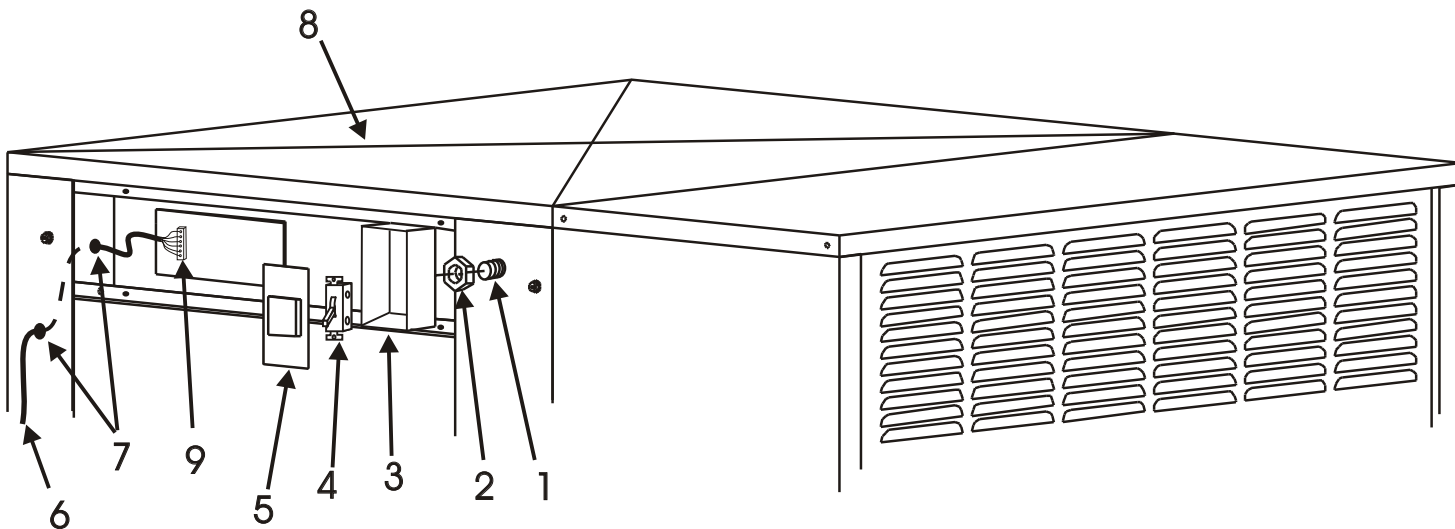
El termostato de este enfriador se conecta al panel de control por medio de un cable de termostato (mínimo de 6 conductores, no proveído). Tipo CL2, DE 18 o calibre 20, se recomienda cable para termostato listado por UL.

- 1) Recorra una punta del cable de termostato (6) a través del agujero de 1/2 pulgada en el poste esquinero al lado izquierdo de el panel de acceso y después a través del agujero de 1/2 pulgada en el lado izquierdo de la caja de control.
- 2) Inserte los conductores individuales del cable del termostato (6) en las conexiones del bloque de terminales (9) en el lado izquierdo de la tabla de circuito. Conecte los alambres con forro de color como sigue:

Blanco a 'C'	Bafé a 'H'	Rojo a 'L'
Verde a 'P'	Amarillo a 'D'	Azul a 'R'

Apretar los tornillos con cuidado.

- 3) Instale el sujeta cable (7) sobre el cable y en los agujeros de 1/2" en la esquina del gabinete y en la caja de controles, dejando una pequeña cantidad de cable - no estire el cable de termostato. Ponga la tapadera de la caja del control con las cuatro tornillas.
- 4) Seleccione el lugar para el termostato:
 - Montelo a 5-6 pies del piso.
 - Instale el termostato cerca de una fuente de calor.
 - No lo monte en la corriente de aire directa de las parillas del enfriador.
 - Evite espacios muertos de aire que tengan poca circulación.
- 5) Instale el termostato usando las "Instrucciones para montar el termostato" proveídas con el enfriador.



- | | | | | |
|------------------------|------------------|--------------------|---------------------------------|-------------|
| 1) Niple De Encaje | 2) Contratuerca | 3) Caja de Emplame | 4) Interruptor | 5) Tapadera |
| 6) Cable de Termostato | 7) Sujeta Cables | 8) Gabinete | 9) Conector de Termostato Cable | |

Ajuste de banda

PRECAUCION: Desconecte toda la corriente eléctrica hacia el enfriador y asegúrese que la banda no este dando vueltas antes de ajustar la tensión. No ajuste la banda cambiando el diámetro de la polea del motor. Ajuste la tensión solamente ajustando en los rieles de la base.

Tensión de la banda y alineación correcta es importante, propia instalación reduce consumo de energía y extiende la vida de la banda y la del motor. Revise la tensión de la banda apretándola. Una tensión apropiada permitirá una deflexión de 1/2 a 3/4 de pulgada. Para aumentar o reducir la tensión de la banda, afloje el tornillo en la ranura de la montadura del motor. Ajuste la banda a una tensión apropiada y apriete el tornillo.

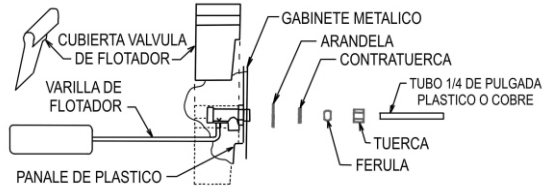


Conecte el Suministro de Agua

PRECAUCION: Todas las instalaciones de plomería tienen que cumplir con los códigos de edificar y reglas de seguridad, y llevadas a cabo por personal competente solamente.

NOTA: Los enfriadores no se deben conectar a sistemas de agua "blanda". Agua blanda acelera la corrosión y reduce la vida efectiva de los filtros y gabinete. Conecte el suministro de agua al enfriador como sigue:

- La válvula de suministro de agua podría instalarse en un sitio conveniente, para permitir abrir y cerrar para dar servicio o apagado de invierno. Un tubo con un mínimo de 1/4" se debe usar para el suministro de agua hacia el enfriador, Un tubo más grande se debe usar si la distancia es mayor de 100 pies y reducida a 1/4" en la entrada de la unidad.
- Instale la válvula del flotador en el agujero proveído en el lado panele opuesto a la bomba.
- Conecte un tubo del suministro de agua al flotador. Ponga la tuerca de compresión y la férula sobre el extremo del tubo, inserte el tubo en la válvula



Instale buje de drenaje y rebosadero

Instale el buje de rebosadero en el fondo del enfriador:

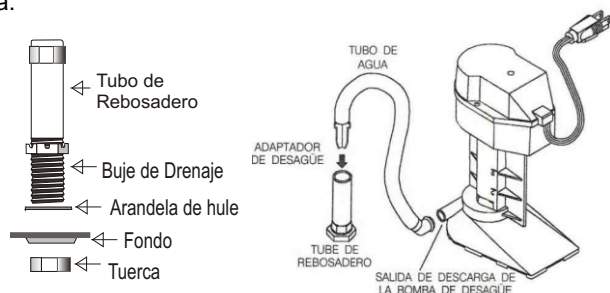
- Deslice la arandela de hule en el buje.
- Inserte el buje en el agujero del fondo, y apriete la tuerca.
- Atornille el tubo de rebosadero de plástico al buje y apriételo ligeramente (apretado con la mano) para prevenir fugas.
- Conecte a una línea adecuada de drenaje (cobre /PVC /manguera de jardín) al buje de drenaje. Nunca drene el agua en el techo; minerales se acumulan o daños al techo pueden ocurrir.

NOTA:

Drene el agua de acuerdo con los códigos locales de plomería.

Instale el 'Pro Cleaning System' (PCS)

Para minimizar la "acumulación de sarro", su enfriador viene con su PCS pre instalado. el PCS drene el agua cada 5 horas de operación, permitiendo que el enfriador se llene de agua fresca. Para completar la instalación, localice la bomba que está enchufada al receptáculo marcado 'DRAIN PUMP' e inserte la manguera en el buje de rebosadero, usando el adaptador de drenaje. Evite que se doble la manguera.



Ajuste de polea del motor

Cuando el enfriador esta conectado a conductos extendidos, la capacidad del enfriador y el amperaje del motor disminuye debido al aumento en la resistencia del conducto. La polea ajustable del motor es para ser usada solamente para regresar el enfriador y el motor a su máxima capacidad permitida y no se debe reajustar excepto para este propósito.

PRECAUCION: No exceda el máximo amperaje del motor (FLA) estampado en la placa de especificaciones del motor o el motor se puede sobrecargar dañándolo.

Revise el amperaje con todas las puertas, ventanas ventilaciones y/o todos los sistemas de relieve operando.

Ajuste impropio de la polea motriz sobrecarga y daña severamente los devanados del motor (este daño no es cubierto bajo la garantía) Solamente personas capacitadas con el equipo apropiado y conocimiento deben ajustar poleasdel motor ajustables.

PRECAUCION: Nunca opere la unidad sin los paneles de acceso. Esto resultaría en condición de sobrecarga y podría dañar el motor de la turbina.

INSPECCIÓN GENERAL

Lista de inspección de pre-comienzo o anual

PRECAUCION: Desconecte toda la corriente eléctrica del enfriador antes de intentar instalar, abrir, o darle servicio a su enfriador. Si el enfriador es controlado con termostato, no lo use como manera de cortar el suministro de corriente, ya que puede activar la unidad inesperadamente.

Antes de prender el motor y la bomba por primera vez, o en el comienzo de cada temporada de enfriamiento, asegúrese de haber hecho todas las conexiones y ajustes. Y verifique que:

- ✓ Montura del enfriador a nivel; conductos sellados.
- ✓ Gabinete bien sujetado a la montura.
- ✓ Gabinete del enfriador propiamente a tierra. Conexiones eléctricas hechas correctamente seguros y fuera de peligro.
- ✓ Motor, bomba, drenaje, sangrado, válvula del flotador, etc. están correctamente instaladas y completamente funcionales.
- ✓ Línea de agua seguramente conectada, abierta, sin fugas notables.
- ✓ Flotador ajustado al propio nivel.
- ✓ Impelente de la bomba gira libre y suave. Si hay duda remueva la cubierta del impelente (véase "limpieza de la bomba") y revise la rotación.
- ✓ Asegúrese que los tornillos de la turbina, eje, polea impulsada y los opresores de la polea motriz estén apretados.
- ✓ Polea motriz / polea de turbina alineamiento bien; tensión correcta en la banda, turbina gira libremente.

Chequeo de empiezo

PRECAUCION: Nunca opere la unidad sin los paneles de acceso. Esto resultaría en condición de sobrecarga y podría dañar el motor de la turbina.

Para verificar y chequeo de la instalación del enfriador en el comienzo inicial o anual, siga el siguiente procedimiento.

- ✓ Prender la corriente eléctrica hacia la bomba
- ✓ Verifique si la bomba empezó y los filtros se mojan parejos.
- ✓ Habrá las salidas / ventilaciones (ventanas, puertas, etc.)
- ✓ Prender la corriente eléctrica hacia el motor de la turbina.
- ✓ Observe comienza y funciona, revise cada velocidad (donde se aplique) y confirme entrega de aire.
- ✓ Verifique que el amperaje del motor no exceda al de la placa.
- ✓ Fugas de las líneas de agua, filtros, gabinete, etc.
- ✓ Filtros del enfriador: se mojen parejos, no áreas secas.
- ✓ El ajuste del nivel del agua sea correcto.
- ✓ Verifique el flujo de agua completo.
- ✓ Turbina / motor giran libremente, no ruidos extraños.
- ✓ Condición de la banda / tensión / alineamiento.

En caso de problemas en alguno de estos pasos, refiérase a la lista de trazando fallas, pagina 6.

LISTA DE MANTENIMIENTO

Mantenimiento regular e inspecciones periódicas son la clave de un buen y prolongado servicio de su Pro-series enfriador. El enfriador debe recibir servicio completo a menos una vez por año y más seguido si las condiciones lo requieren (ambiente polvo, uso constante, calidad del agua, etc.) Para máxima eficiencia de enfriamiento, larga vida y apariencia, cada dos meses durante su operación, el enfriador debe ser inspeccionado y limpiado.

NOTA: No ponerle brea al depósito de agua

Las partes de su enfriador que están en contacto con el agua están protegidas con revestidores de plástico. Las superficies de plástico son fáciles de limpiar, pero debe tener cuidado de no dañarlas, todos los materiales ajenos, sarro mineral, depósitos de agua dura, tierra, etc deben ser removidos de los revestidores, enjuague el depósito y otros componentes utilizando agua tibia y un trapo suave. El uso de protectores de asfalto, brea u otro tipo pueden dañar el plástico y anularán la garantía.

NOTA: No use limpiadores para enfriadores, ánodos, tratamientos u otro aditivo químico en este enfriador. El uso de aditivos o tratamientos para el agua u otro que no sea sangrado anulará la garantía y perjudicará la vida del enfriador.

Antes de comenzar la operación de mantenimiento, lea detalladamente todas las instrucciones de mantenimiento y operación y observe todas las precauciones y advertencias.

Limpeza

PRECAUCION: Nunca lave su enfriador con manguera de jardín; El agua puede dañar el motor y la bomba o entrar al conducto. Motores dañados por el agua NO los cubre la garantía.

Materiales extraños, sarro, depósitos de sal, minerales etc. Deben de removerse de las rejillas de los filtros, fondo, y otros componentes.

Mantenimiento e Inspección

IMPORTANTE: Antes de operar el enfriador al comienzo de cada temporada de enfriamiento, gire los ejes de la turbina, el motor, la bomba con la mano para asegurarse que giren libremente. El no hacerlo podría resultar en un motor quemado.

Inspección periódica de su enfriador puede realzar la vida libre de problemas de este. Para máxima eficiencia, cada dos meses durante su operación, o en cualquier ocasión que habrá el enfriador, lo debe inspeccionar. Algunas sugerencias:

- ✓ ¿Revise por goteras de los filtros, gabinete, etc.
- ✓ ¿Encuentra puntos secos en la paja cuando en operación?
- ✓ ¿Encuentra los tornillos, tuercas y tornillos opresores apretados?
- ✓ ¿Sonidos extraños en las chumaceras o motores?
- ✓ ¿La turbina gira libremente?
- ✓ ¿Flotador al correcto nivel?
- ✓ ¿El agua del depósito limpia?
- ✓ ¿Condición de la banda/ tensión/ alineamiento?

Ajuste tensión de la banda

Cada vez que inspeccione su enfriador, se asegura de revisar la tensión de la banda en el ensamble de motor / turbina. Revise la condición de la banda si tiene desgaste u otros defectos. Revise la alineación de la polea impulsada con la polea motriz (véase pagina 4 para pasos con más detalles)

Drenando

Vací el depósito (con la corriente apagada y los filtros removidos) como sigue:

- Conecte la manguera de drenaje en el fondo del depósito, si no está ya conectado a la línea de drenaje.
- Remueva el buje de rebosadero del buje.
- Vací y limpie el depósito (nunca drene el agua en el techo, minerales se depositan o daño al techo puede ocurrir)

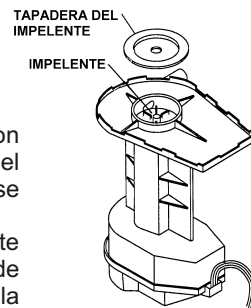
Limpeza de la bomba y manguera

PRECAUCION: Desconecte toda la corriente eléctrica del enfriador antes de intentar instalar, abrir, o darle servicio a su enfriador. Si el enfriador es controlado con termostato, no lo use como manera de cortar el suministro de corriente, ya que puede activar la unidad inesperadamente.

PRECAUCION: No permita que la bomba se caiga y se sumerja; el agua daña el motor.

Limpe la bomba, la manguera y la ensamble de distribuidor como sigue:

- Desenchufe el cordón clavija de la bomba, remueva el tornillo de la abrazadera de la bomba y remueva la bomba del enfriador. Sacúdala ligeramente para removerla del agua.
- Para prevenir que se quiebre, con cuidado remueva la placa de la base del impelente y remueva la placa de la base del cuerpo de la bomba.
- Usando una solución de detergente ligera, limpie los depósitos del cedazo de la bomba, alrededor del impelente y la tapadera de la base.
- Gire el impelente para destapar material ajeno.
- Remueva cualquier material (ajeno en el adaptador y la manguera), o entre la manguera y el distribuidor de agua.
- Enjuague y reinstale la cubierta del impelente.
- Reinstale la bomba y enchufe el cordón de la bomba.



Retocar

La dureza, adhesión y suavidad de nuestro acabado tipo electrodoméstico Peblar XT acaban en las superficies internas y externas de su enfriador lo hace extremadamente improbable de que ocurran raspones o se descargare. El acabado duradero de su enfriador lo puede hacer se mire como nuevo utilizando agua tibia y un trapo suave.

NOTA: Evite estropajos o brochas de alambre, estos dañarán el acabado estimulando la corrosión.

En un evento que esto ocurra, se debe reparar siguiendo los siguientes procedimientos:

1. Lije el área alrededor de las partes de metal descubiertas.
2. Use pintura de fondo y pintura de buena calidad.

No use compuestos de asfalto en el depósito de agua.

LUBRICACION

Chumaceras del motor

Algunos motores usados en su Pro-series enfriadores tienen aceiteras para lubricarse y son lubricados en la fábrica. Si la necesidad por lubricarse es indicada, vea la placa individual del motor para instrucciones específicas para relubricar el motor. Bajo uso normal, estos motores requieren lubricación alrededor de cada 12 meses de operación.

No sobre-aceite.

Chumaceras del eje de la turbina

Las chumaceras del eje de la turbina requieren lubricación periódica. Se deben revisar después de 20-30 días de operación. Las aceiteras en las chumaceras se deben llenar con aceite de buena calidad SAE 20W o 30W no-detergente cuando sea necesario. Bajo uso normal, lubricación se requiere cada tres meses de operación.

No sobre-aceite.

Chumaceras de la bomba

Las chumaceras de la bomba están permanentemente lubricadas.

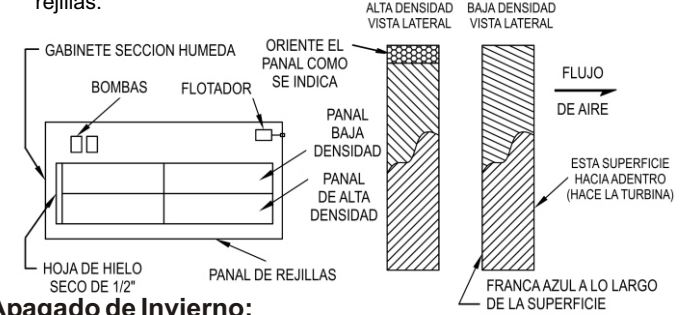
Cambiando los filtros

PRECAUCION: Desconecte toda la corriente eléctrica del enfriador antes de intentar instalar, abrir, o darle servicio a su enfriador. Si el enfriador es controlado con termostato, no lo use como manera de cortar el suministro de corriente, ya que puede activar la unidad inesperadamente.

Los filtros de su enfriador se deben revisar una vez por año.....de preferencia al principio de la temporada. O cuando los filtros requieran revisarse más frecuentemente, de acuerdo con el aire y las condiciones del agua local. Reemplace los filtros como sigue:

1. Remueva el armazón del gabinete.
2. Remueva los filtros del gabinete como sigue:
 - a. Remueva las rejillas de entrada, la tapa de la sección húmeda y el distribuidor de agua del gabinete.
 - b. Remueva los panales ligeramente inclinando hacia el frente y cuidadosamente levantándolo hacia arriba y afuera. Si los pasajes están tapados o el panel está sucio, con una manguera de jardín y presión ligera limpie la entrada del panel. Cepille en forma ligera y suave con cepillo de cerdas duras (no use cepillo de alambre) el cual no dañará el panel y removerá el sarro duro.
 - c. Si es necesario, remplace con panales nuevos, disponibles en su distribuidor. Aspen, papel extendido u otros tipos de filtros evaporativo no funcionan y anulan su garantía.
3. Usando detergente ligero, lave tierra y sarro en la parte de adentro en la sección húmeda. No se recomienda brochas de metal. Si el acabado está dañado o nota óxido, repare como se indica en la sección "Retocar". Enjuague con agua limpia.

4. Reinstale los panales, asegurándose que su posición es correcta (Raya pintada en la parte de abajo del panel hacia afuera).
5. Reinstale el distribuidor de agua, la tapadera de la sección húmeda y las rejillas.



Apagado de Invierno:

- *Siempre* vacie toda el agua del enfriador y de la tubería cuando no esté en uso por periodos prolongados, y particularmente en el término de la temporada. Mantenga la tubería del agua desconectada en ambos lados para que no se reviente en bajas temperaturas.
- *Desconecte* el enfriador de la fuente durante largos periodos de no uso.

Reemplazo De Partes

Cuando ordene partes de reemplazo, siempre refiérase al modelo y número de serie de su Brisa enfriador. Use el número de parte en la acompañante lista de partes, como esta ilustrado en los diagramas de su modelo.

TRAZANDO FALLAS :

Si un problema obvio ocurre en su enfriador, consulte la siguiente tabla. Si no puede corregir el problema, contacte a un representante competente de servicio.

PROBLEMA / SÍNTOMA:	CAUSA PROBABLE:	ACCIÓN CORRECTIVA:
Derrame de agua en la unidad	Válvula de flotador fuera de ajuste	Ajuste el flotador 2 1/2" de profundidad de agua
	Movimiento del flotador obstruido	Libere el flotador de la obstrucción
	Válvula no funciona	Remplace el ensamble de flotador
Filtros Secos	Entrada de agua de la bomba tapada	Remueva la obstrucción
	Bomba no funciona	Remplace la bomba
	Linea de agua tapada	Localice y remueva la obstrucción
	Canaleta de filtro tapada	Limpie la basura de las canaletas
	Control / termostato no funciona	Remplace el control o termostato
	Alambrado no funciona	Repáre o remplace alambres no funciona
	Agua hacia el enfriador cerrada	Abrir el suministro de agua
No comienza o no hay entrega de aire	Corriente eléctrica desconectada	Revisar el receptáculo de corriente y el cordón
	Banda muy floja o apretada	Ajuste la tensión
	Motor no funciona	Remplace el motor
	Control / termostato no funciona	Remplace el control o termostato
	Banda rota	Remplace banda
Entrega de aire inadecuado	Insuficiente escape de aire	Abra ventanas para aumentar el flujo
	Banda muy floja	Ajuste la tensión o remplace la
	Filtros tapada	Remplace filtros
El motor se prende y se apaga	Baja voltaje	Revise el voltaje
	Banda demasiado apretada	Ajuste la tensión
	Eje de soplador congelado	Lubrique o remplace las chumaceras
	Chumaceras secas	Lubrique con aceite las chumaceras
	Diámetro de la polea motriz muy grande	Ajustar al amperaje indicado en la placa del motor
	Motor no funciona	Remplace el motor
Operación ruidosa	La turbina rosa con la caja del soplador	Alinear la turbina
	Tornillos opresores de la turbina o polea motriz muy flojos	Apriete tornillos opresores
Humedad excesiva dentro de la casa	Inadecuado escape de aire	Abra ventanas para aumentar la ventilación