

EZXCABCR
EZ Flex™ Expandable Air Filter with Cabinet
Sizes 1016, 1020, 1316, 1320



Product Data



A190391

The EZ Flex™ Expandable Air Filter sets the precedent in the air filtration industry. Coupling easy, time saving assembly and flexible design, the EZ Flex filter is the answer for any contractor who wants to save both time and money.

FEATURES/BENEFITS

FLEXIBLE DESIGN — EZXCAB can be used in upflow, downflow and horizontal applications.

STURDY FLEXIBLE CABINET DESIGN — The EZXCAB features a sturdy 20 gauge powder coat painted cabinet that can withstand the weight of a 400-lb. (181 kg) furnace.

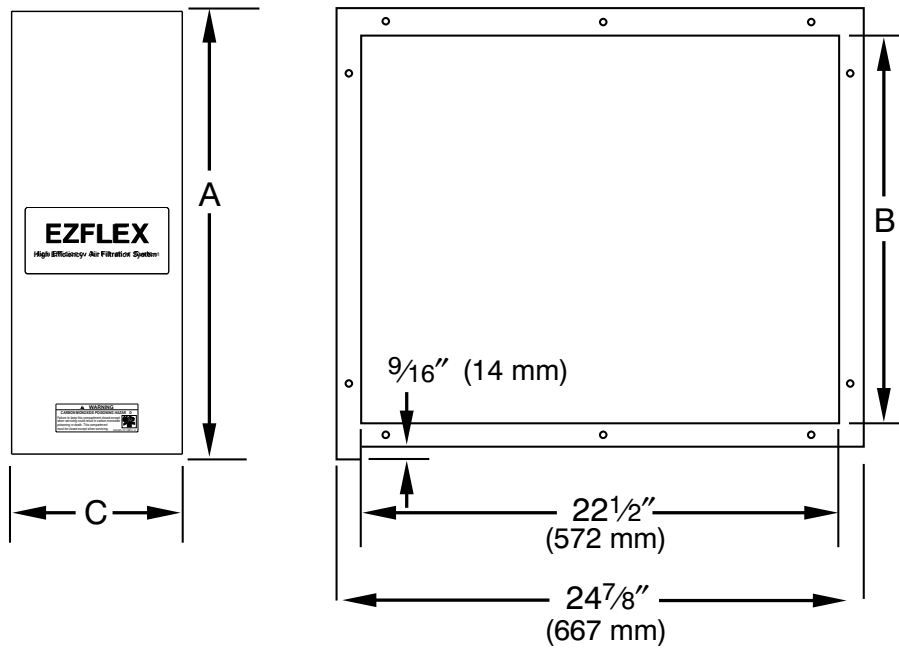
EFFICIENT DESIGN — The EZ Flex filters are rated at MERV 10 and MERV 13 (MERV = Minimum Efficiency Reporting Value per ASHRAE Standard 52.2). Residential filters will typically be in a range of MERV 1 – 13. The higher the value, the more efficient the filter.

SYSTEM FRIENDLY PRESSURE DROP — The EZ Flex filter protects HVAC system by not producing significant pressure drop, therefore allowing the system to operate at its optimum efficiency. We recommend changing the filter at least two times per year.

LARGE DUST HOLDING CAPACITY — The EZ Flex has a high dust holding capacity. This increases the time between filter changes.

The exceptionally large surface area traps dust, pollen, molds, tobacco, smoke, grease, soot, bacteria, and animal dander to provide cleaner, fresher air that is free of airborne pollutants and irritants regardless of the season.

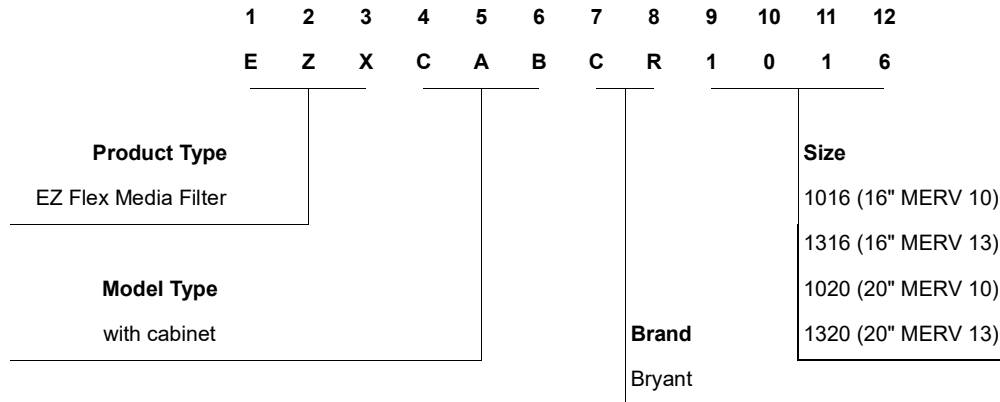
DIMENSIONS



A180072

MODEL	A	B	C
EZXCABCR-1016 / 1316	16-15/16" (430mm)	13-7/8" (352mm)	7-1/4" (184mm)
EZXCABCR-1020 / 1320	20-15/16" (532mm)	17-7/8" (454mm)	7-1/4" (184mm)

MODEL NUMBER NOMENCLATURE



PHYSICAL DATA

SIZE	016	316	020	320
Rated Air Flow (CFM)	600 – 1600		600 – 2000	
Pressure Drop (in. wc.) Clean @ max. airflow)	0.21	0.27	0.20	0.29
Filter Media	Synthetic			
Filter Area (sq. ft / sq. m)	23.14 / 2.15		28.58 / 2.66	
Shipping Weight	18.5 lb / 8.4 kg		20.5 lb / 9.3 kg	

MINIMUM FILTER EFFICIENCY*				
	E1	E2	E3	MERV
EZXCABCR10** All Sizes		≥50%	≥80%	10
EZXCABCR13** All Sizes	≥50%	≥85%	≥90%	13

*. Minimum Efficiency Reporting Value (MERV) is specified by ASHRAE Standard 52.2. It is based on lab tests to determine the filter's ability to trap particles. MERVs for residential filters will typically be in the range of MERV 1-10. The higher the value, the more efficient the filter. MERV 10 filters have a minimum of 85% particle collection efficiency in the 3-.10 micron particle size range. (Human hair is approximately 50-100 microns in diameter.)

REPLACEMENT FILTERS

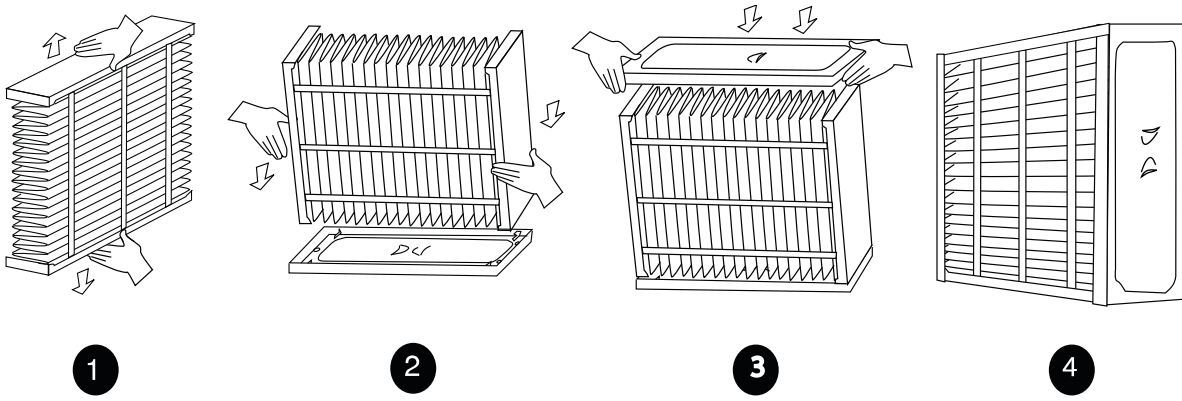
REPLACEMENT FILTERS ORDER NUMBER		
MERV 10	EXPXXFIL0016	EXPXXFIL0020
MERV 13	EXPXXFIL0316	EXPXXFIL0320
Quantity per Carton	10	10

PRESSURE DROP AT VARIOUS AIRFLOWS (CLEAN)

Airflow Range (CFM)	Resistance (in. w.c)			
	016 - MERV 10	316 - MERV 13	020 - MERV 10	320 - MERV 13
600	0.05	0.06	0.04	0.05
800	0.07	0.09	0.05	0.07
1000	0.10	0.13	0.07	0.10
1200	0.13	0.17	0.09	0.13
1400	0.17	0.22	0.12	0.16
1600	0.21	0.27	0.14	0.20
1800	—	—	0.17	0.24
2000	—	—	0.20	0.29

NOTE: When applying the EZ Flex, attention must be given to the duct and system design because all these components affect system static pressure.

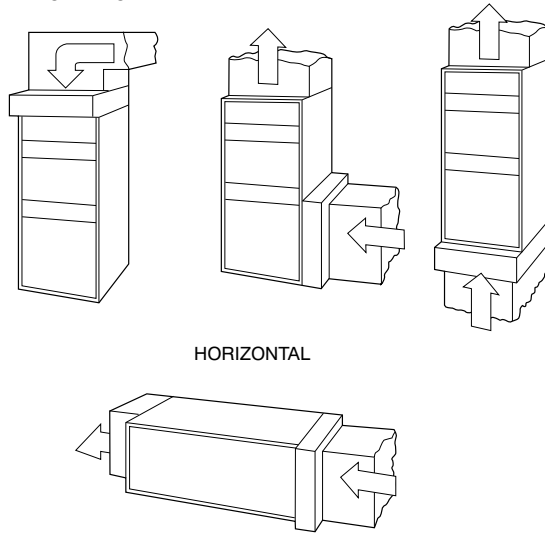
ASSEMBLY



DOWNFLOW

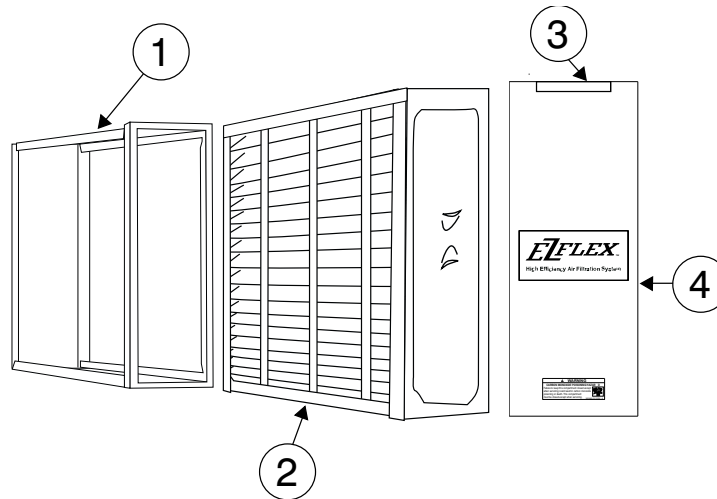
UPFLOW

HORIZONTAL



A01397

A09650



A180070

COMPONENT NUMBER	PART DESCRIPTION
1	Cabinet Top
2	EZ Flex Filter Media
3	Access Handle
4	Access Door