

**SYSTXCCITC01-C, SYSTXCCWIC01-B,
SYSTXCCICF01-B, SYSTXCCWIF01-B
Infinity® System Control**



Turn to the experts

Installation Quick Start Guide

Please review full installation instructions before installing this product.

Safety Considerations

This instruction covers installation of the Infinity System Control only. Physical installation instructions for the indoor and outdoor equipment, and accessories are provided with each unit.

Mounting Infinity System Control

Mount the backplate on the wall. Connect wires to connector in backplate. See Fig. 1, Fig. 2, and Fig. 3 for typical examples of the Infinity System Control to the indoor and outdoor equipment connections. Position the bottom of the control in the backplate. Snap the top of the unit firmly to the backplate.

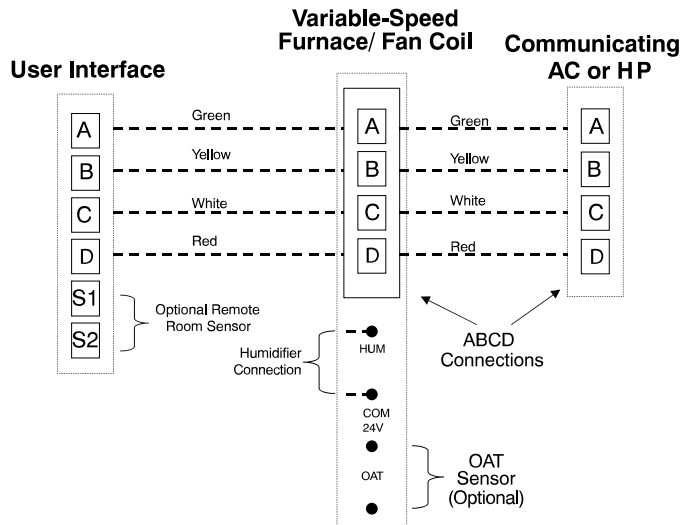


Fig. 1 – Four-Wire Connection Diagram

A03146

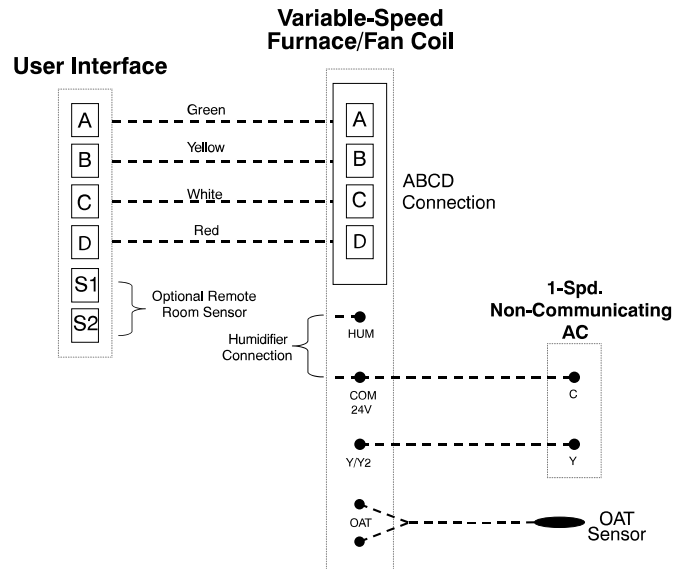


Fig. 2 – Connection Diagram for Furnace or FE Fan Coil w/1-Stage AC

A07022

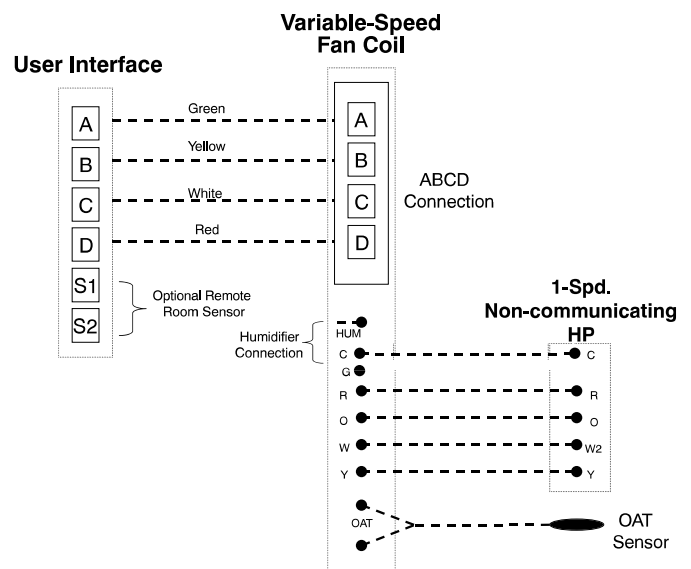


Fig. 3 – Connection Diagram for FE Fan Coil with Non-Communicating 1-Stage HP

A07023

Power Up Sequence

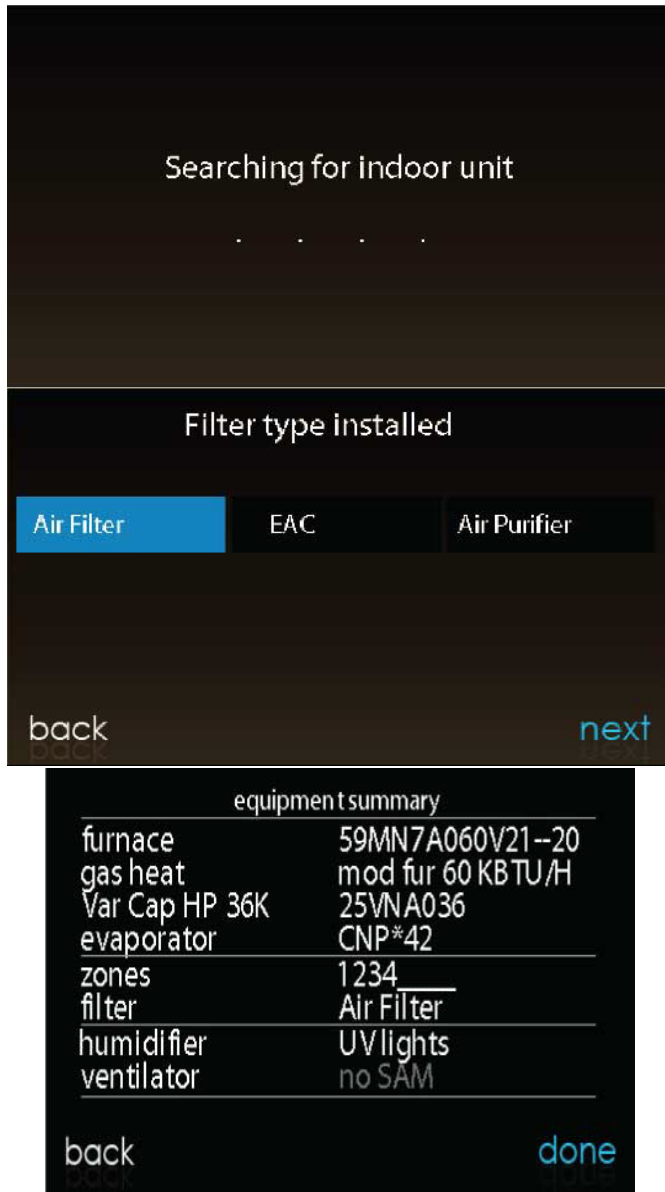


Fig. 4 – Power Up Sequence

A13271

Training

My Learning Center is your central location for professional residential HVAC training resources that help strengthen careers and businesses. We believe in providing high quality learning experiences both online and in the classroom.

Access My Learning Center with your HVACpartners credentials at www.mlctraining.com. Please contact us a mylearning@carrier.com with questions.