


Installation Instructions

NOTE: Read the entire instruction manual before starting the installation.

SAFETY CONSIDERATIONS

Installing and servicing of heating and air conditioning equipment can be hazardous due to system pressures and electrical components. Only trained personnel should install or service heating and air conditioning equipment.

Untrained personnel can perform basic maintenance functions such as cleaning coils, or cleaning and replacing filters. All other operations should be performed by trained personnel. When working on heating and air conditioning equipment, observe precautions in literature, on tags, and on labels attached to the unit. Follow all safety codes. Wear safety glasses and work gloves. Have a fire extinguisher available.

Recognize safety information. This is the safety-alert symbol . When you see this symbol on the unit and in instructions or manuals, be alert to the potential for personal injury.

Understand the signal words **DANGER**, **WARNING**, and **CAUTION**. These words are used with the safety-alert symbol. **DANGER** identifies the most serious hazards which **will** result in severe personal injury or death. **WARNING** signifies hazards which **could** result in personal injury or death. **CAUTION** is used to identify unsafe practices, which **may** result in minor personal injury or product and property damage. **NOTE** is used to highlight suggestions which **will** result in enhanced installation, reliability, or operation.

WARNING

ELECTRICAL SHOCK HAZARD

Failure to follow this warning could result in personal injury or death.

Before beginning any installation or modification, be sure the main electrical disconnect switch(es) is in the OFF position. There may be more than one power supply. Tag the disconnect switch(es) with a suitable warning label.

INTRODUCTION

This instruction covers the installation of this gasket kit on models FA, FB, FC, FE, FH, FK, FX, FV, FZ and PF fan coils. This kit is required when converting the low leak/low sweat fan coils and helps retain their performance after the conversion.

DESCRIPTION AND USAGE

This gasket kit is used in conjunction with downflow conversion kits, downflow base kit and in the conversion of slope coil units to horizontal right airflow.

INSTALLATION

1. Cut gasket 1 and gasket 2 to length as follows:
 - a. For the 14.2" (361 mm) cabinet - cut to 12.75" (325 mm)
 - b. For the 17.5" (445 mm) cabinet - cut to 16.12" (410 mm)
 - c. For the 21" (533 mm) cabinet - cut to 19.62" (499 mm)
 - d. For the 24.5" (622 mm) cabinet - use as is.
2. Apply gasket 1 referring to Fig. 1. Center in the first flange with slight overhang on both ends. Cover the flange completely.
3. Apply gasket 2 referring to Fig. 1. Center on the second flange with slight overhang on each end. Align the notch with the flange notch.

This gasket will have slight overhang of the flange edges.

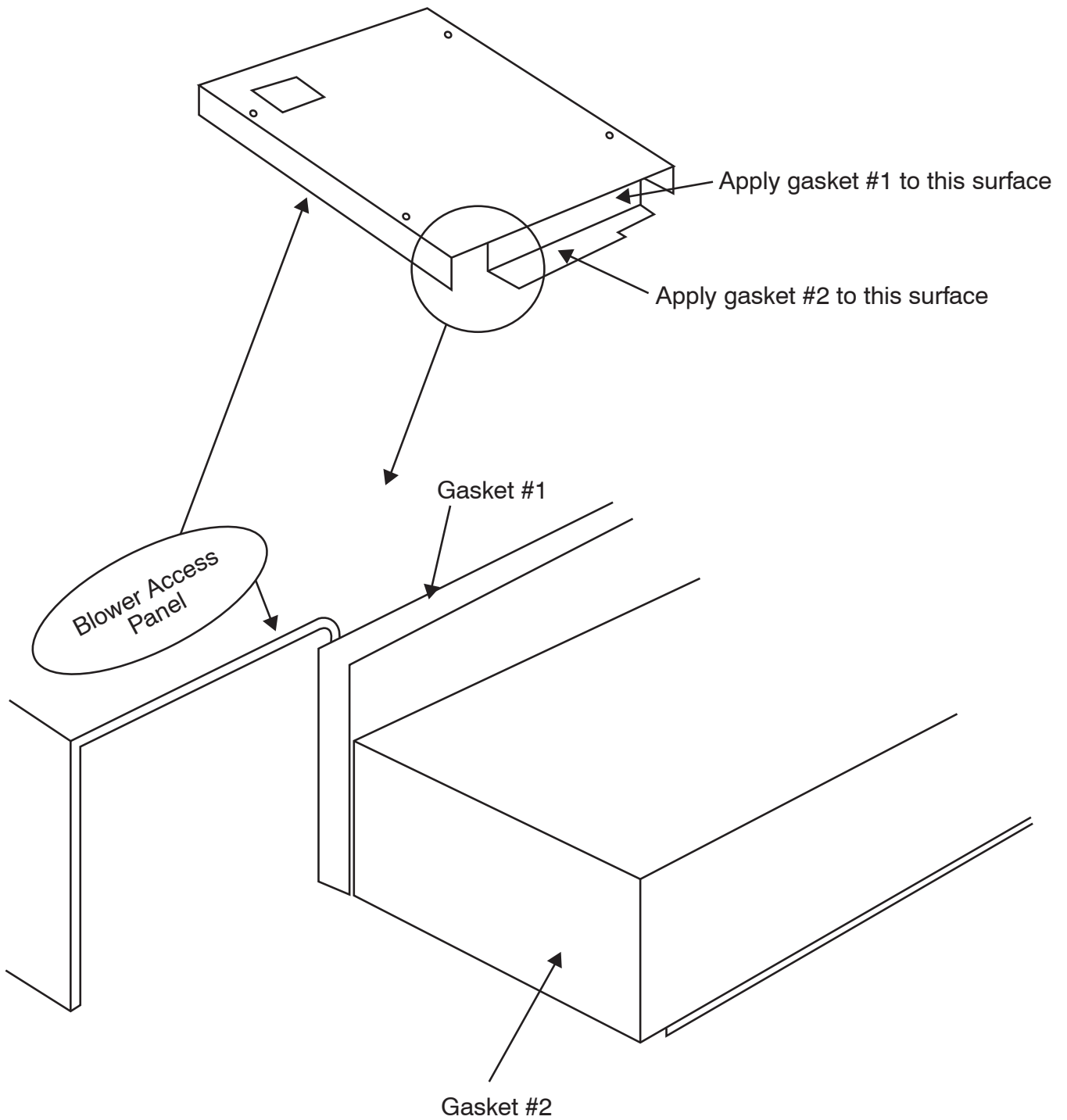


Fig. 1 - Gasket Application on the Blower Access Panel

A03065