

Submittal Data

Job Name _____ Location _____

Tag _____



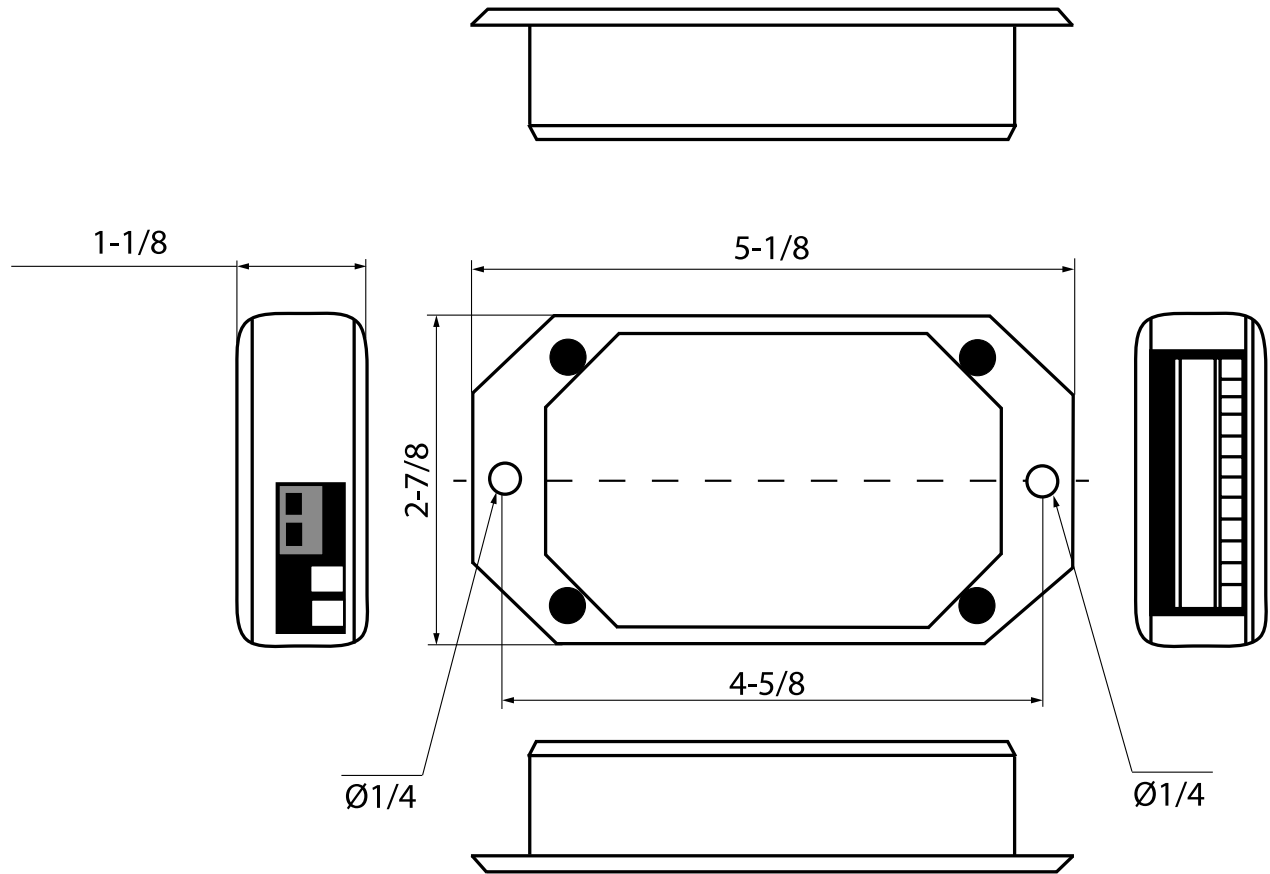
A210769

24V Thermostat Interface Features

- Connectable with various 3rd party Thermostat including Carrier COR to VRF (SMMS-e, SHRM-e) and SDI (RAV)
- Provides 3 Fan speed control; - High, - Medium, - Low
- One 24V Thermostat Interface per indoor unit
- Indoor unit modes; - Cooling, - Heating, -Fan, - OFF
- Connection: AB - Remote controller Terminal of indoor units
- Temperature control
 - Auto (Variable capacity)
 - Fixed capacity
- Minimum run time setting
 - 5 minutes
 - 10 minutes

MODEL NAME	TCB-IFTH2UUG-UL	
POWER SUPPLY	DC18V (+0%, -20%) (provided by an indoor unit), AC24V (±10%) (24V Thermostat Interface circuit; provided by field procured transformer)	
Input Power	W	0.5
Operating Current	mA / VDC	40 / 18
Operating Temperature Range	°F / °C	32 to 104 (0 to 40), 10% to 90% RH (no condensation)
Storage temperature range	°F / °C	-4 to 140 (-20 to +60), 10% to 90% RH (no condensation)
DIMENSIONS	Height (in)	1-1/8
	Width (in)	5-1/8
	Depth (in)	2-7/8
NET WEIGHT	lbs	0.25

Dimensional Drawing
24V Thermostat Interface TCB-IFTH2UUG-UL

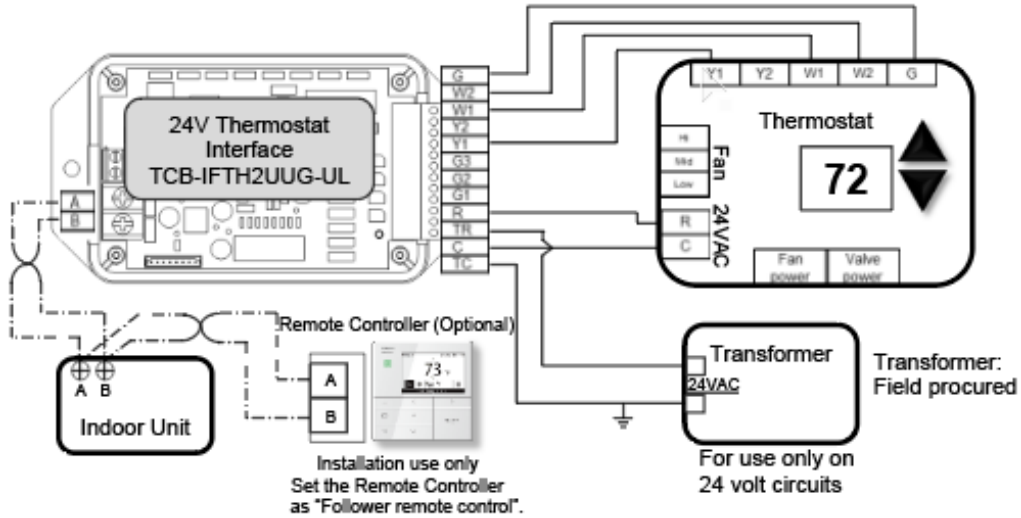


NOTE: Dimensions shown in inches.

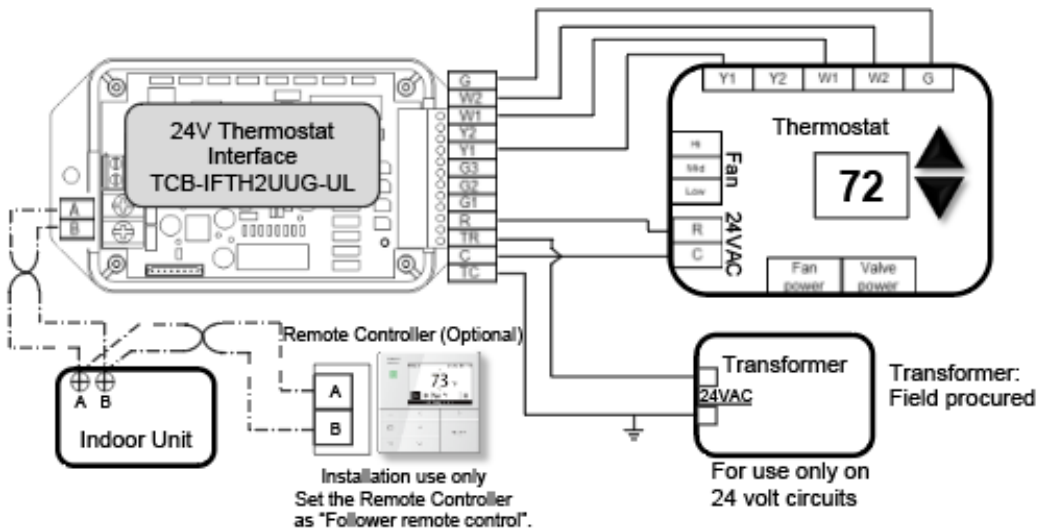
WIRING DIAGRAMS

24V Thermostat Interface TCB-IFTH2UUG-UL

2-Stage Cooling and Heating



Single-Stage Cooling and 2-Stage Heating



Single-Stage Cooling and Heating with Dedicated 3-Fan Speed

