

Installation Instructions

Electrical Disconnect Kit

KFADK0201DSC

NOTE: Read the entire instruction manual before starting the installation.
This symbol → indicates a change since the last issue.

SAFETY CONSIDERATIONS

Improper installation, adjustment, alteration, service, maintenance, or use can cause explosion, fire, electrical shock, or other conditions which may cause personal injury or property damage. Consult a qualified installer, service agency, or your distributor or branch for information or assistance. The qualified installer or agency must use factory authorized kits or accessories. Refer to the individual instructions packaged with the kits or accessories when installing.

Follow all safety codes. Wear safety glasses and work gloves. Read these instructions thoroughly and follow all warning or cautions attached to the unit. Consult local building codes and National Electrical Code (NEC) for special requirements.

Recognize safety information. This is the safety-alert symbol ⚠. When you see this symbol on unit or in instructions and manuals, be alert to potential for personal injury.

Understand the signal word DANGER, WARNING, CAUTION, and NOTE. These words are used with safety-alert symbol. DANGER identifies most serious hazards which **will** result in severe personal injury or death. WARNING signifies hazards which **could** result in personal injury or death. CAUTION is used to identify unsafe practices which **would** result in minor personal injury or product and property damage.

⚠ WARNING: Before beginning any installation or modification, be sure the main electrical disconnect switch is in the OFF position. Tag side connect switch with suitable warning label. Electrical shock can cause personal injury or death.

INTRODUCTION

This instruction covers the installation of electrical disconnect kit Part No. KFADK0201DSC used with FA, FB, FC, FK, FX, FV, 40FK, and PF fan coils. The kit is designed to provide a manual electrical disconnect for units with cooling controls and heaters 3kw through 10kw.

DESCRIPTION AND USAGE

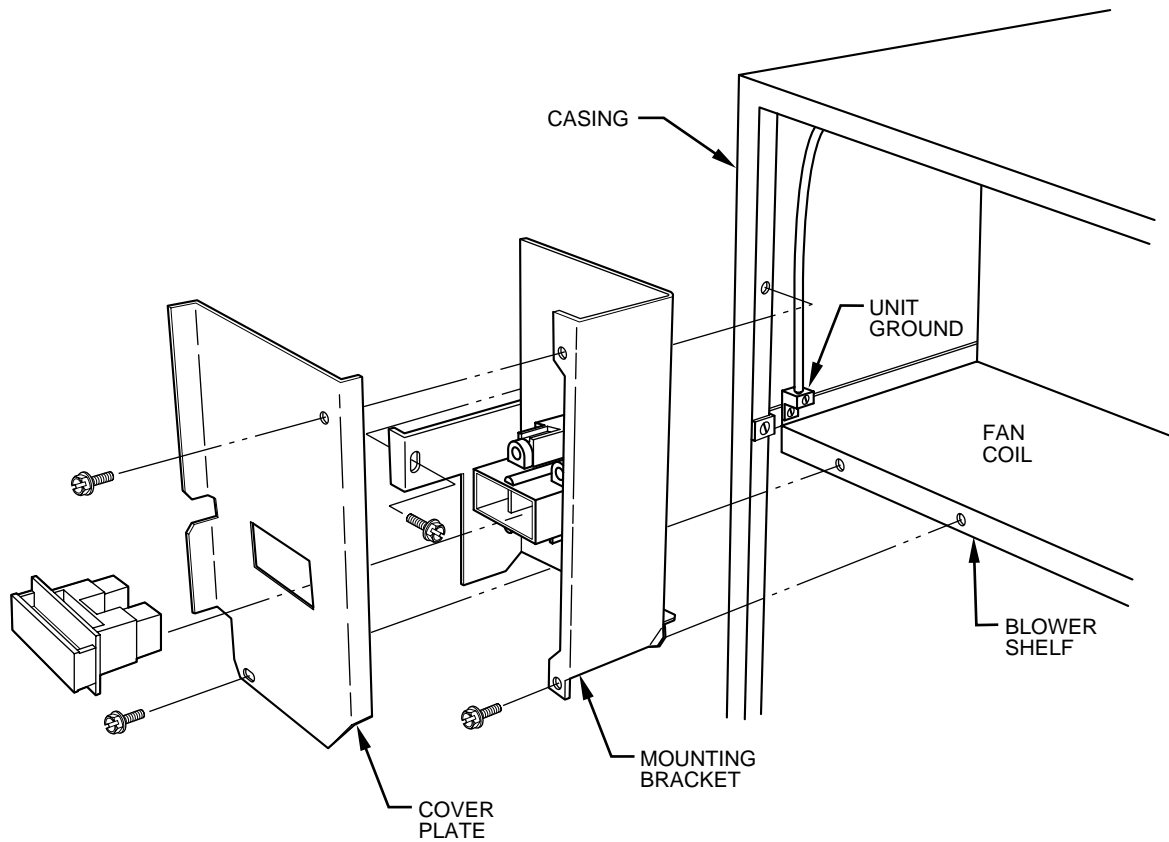
When pull-out is removed on access panel the disconnect allows safe service and maintenance to be performed on the load side of disconnect.

Disconnect Assembly	1
Window Bezel	1
No. 10 Hex Head Screw	3
Installation Instruction	1

⚠ WARNING: Field wires on the line side of the disconnect are live even with the pull-out removed. Any service or maintenance to incoming wiring must be performed with the main disconnect switch tuned off. Failure to do so will result in electrical shock causing personal injury or death.

INSTALLATION

1. Turn off electrical supply to fan coil unit.
2. Remove cover plate on blower access panel.
3. Remove blower access panel.
4. Remove pull-out and cover plate from disconnect assembly. Retain cover plate screw.
5. Attach disconnect mounting bracket to unit casing and blower shelf with 2 No. 10 hex head screws provided in kit. Bracket will mount near high-voltage line entry. (See Fig. 1.)
6. Replace yellow and black high voltage pigtail wires from heater with yellow and black wires supplied with disconnect kit. Make sure new wires are installed at the same location from which they were removed.
7. Attach load and line wires to disconnect. (See Fig. 2.) Insert wires into wire connectors. Tighten lugs on line side. Connect ground wire to unit ground lug.
8. Replace cover plate on disconnect assembly using 1 No. 10 hex head screw provided and retained cover plate screw. (See Fig. 1.)



A90084

Fig. 1—Installation of Disconnect Kit

9. Cut insulation away from rectangular access hole in blower access panel.
- 10. Remove adhesive backing from window bezel. From the outside of the door, insert the window through the rectangular hole in the door. Press the frame firmly on the door surface to seat the adhesive. (See fig.3)
11. Replace blower access panel.
12. Insert pull-out into disconnect assembly so copper conductors engage for continuity.
13. Turn on electrical power supply to fan coil unit and check operation.

⚠ CAUTION: Disconnect pull-out is not intended to interlock with upper access panel. Upper access panel can be removed without disconnecting power.

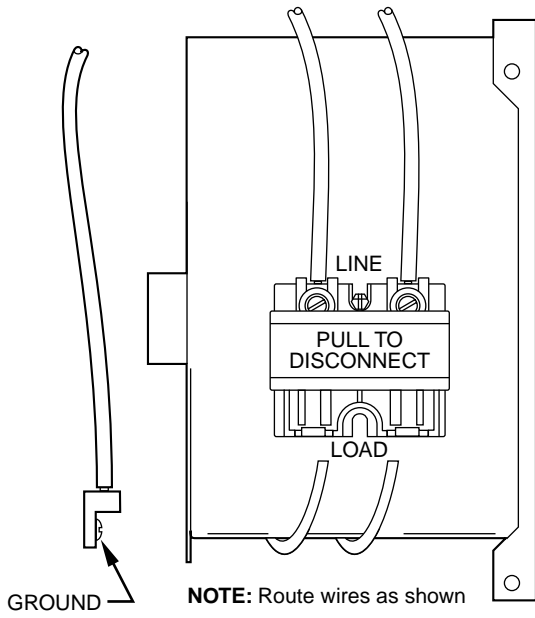


Fig. 2—Wiring Connections

A00001

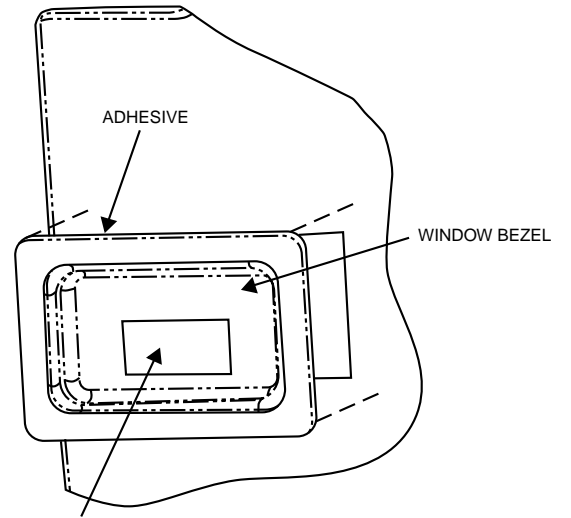


Fig. 3—Installation of Bezel

A03064

SERVICE TRAINING

Packaged Service Training programs are an excellent way to increase your knowledge of the equipment discussed in this manual, including:

- Unit Familiarization • Maintenance
- Installation Overview • Operating Sequence

A large selection of product, theory, and skills programs is available, using popular video-based formats and materials. All include video and/or slides, plus companion book.

Classroom Service Training plus "hands-on" the products in our labs can mean increased confidence that really pays dividends in faster troubleshooting, fewer callbacks. Course descriptions and schedules are in our catalog.

CALL FOR FREE CATALOG 1-800-644-5544

[] Packaged Service Training [] Classroom Service Training

A94328