

Manual Damper Accessory for Vertical and Horizontal Applications Select 15 to 27.5 tons

Installation Instructions

Part No. CRMANDPR009A00, CRMANDPR010A00

PACKAGE CONTENTS


IMPORTANT: Read these instructions completely before attempting to install the accessory manual damper.

SAFETY CONSIDERATIONS

Installation of this accessory can be hazardous due to system pressures, electrical components, and equipment location (such as a roof or elevated structure). Only trained, qualified installers and service technicians should install, start-up, and service this equipment.

When installing this accessory, observe precautions in the literature, labels attached to the equipment, and any other safety precautions that apply:

- Follow all safety codes
- Wear safety glasses and work gloves
- Use care in handling and installing this accessory

It is important to recognize safety information. This is the safety-alert symbol: . When you see this symbol on the unit and in instructions or manuals, be alert to the potential for personal injury.

Understand the signal words DANGER, WARNING, CAUTION, and NOTE. These words are used with the safety-alert symbol. DANGER identifies the most serious hazards which **will** result in severe personal injury or death. WARNING signifies hazards which **could** result in personal injury or death. CAUTION is used to identify unsafe practices, which **may** result in minor personal injury or product and property damage. NOTE is used to highlight suggestions which **will** result in enhanced installation, reliability, or operation.

GENERAL

The manual damper accessory is designed to allow a fixed amount of outside air into the building space. The blade position can be manually adjusted as often as needed. See local and applicable codes for outside air requirements.

The damper can be used for vertical or horizontal applications.

Use With Unit	Qty	Description
48FC, 48HC, 48TC, 50FC, 50HC, 50TC, 50TCQ	1	Upper Panel
	1	Damper Blade
	1	Hood Side - Left
	1	Hood Side - Right
	1	Hood, Top
	1	Blankoff
548J, 551J, 558J, 580J, 581J, 582K, 559K	3	Central Retainer
	3	Hood Filter Support
RAH, RAS, RGH, RGS, RHS, RGV, RAV	2	Hood Side Retainer
	2	Hood Top Diverters
	3	Hood Deflectors
	1	Position Label
	4	Filter Screens
	1	Hardware Bag with Seal Strip*

*Screws are included in hardware bag.

INSTALLATION

WARNING

ELECTRICAL OPERATION HAZARD

Failure to follow this warning could result in personal injury or death.

Disconnect power supply and install lockout tag before attempting to install accessory.

Outside Air Hood Assembly

1. Make sure power supply is off and install lockout tag.
2. Carefully remove the top blank panel from return end of unit. Save the screws removed.
3. Install blankoff as shown in Fig. 1 and 2 with 5/16 in. screws from kit. Screw in place on upper panel on top left and top right corners.
4. Install upper panel from kit using screws saved. (See Fig. 1.)
5. Install position label along right side of opening such that top edge of sticker aligns with top flange of sliding blade. (See Fig. 2.)
6. Install damper blade using (2) 5/16 in. screws. Position damper at desired setting based upon return pressure drop and required outdoor air. See Fig. 4 for performance.
7. Install filters supports, (Item #1, Fig. 3) to the upper panel using the screws provided.
8. Install each deflector (Item #8, Fig. 3) on to each filter support (Item #1, Fig. 3) using the screws provided.

9. Apply seal strip to mating flanges on hood sides (Items #4 and #5). (See Fig. 3.)
10. Secure hood sides (Item #4 and #5, Fig. 3) to upper panel using the screws provided.
11. Apply seal strip to mating flange of the hood top (see Item #3, Fig. 3).
12. Secure hood top (Item #3, Fig. 3) to upper panel using the screws provided. (On CRMANDPR009A00, remove the screws from across top cover of unit. The rear flange of hood top will slide behind unit top over flange.)
13. Secure side retainers (Item #6, Fig. 3) to hood sides (Item #4 and #5, Fig. 3) using the screws provided, screwing from outside of the hood sides.
14. Secure each central retainer (Item #2, Fig. 3) to hood top (Item #3, Fig. 3), then align central retainers to holes located on filter supports (Item #1, Fig. 3) so central retainer is perpendicular to hood top and each filter support and secure using screws provided.
15. Apply seal strip to top diverters, Item #7 (see Fig. 3).
16. Secure top diverters (Item #7) to hood top (Item #3, Fig. 3).
17. Install outdoor air screens by sliding them into each of the four spaces created by the hood, filter support and central retainers. To do so, first insert the air screens into pocket created at the end of hood (Item #3) then fully put the air screen into place, and then slide them back into pocket created in the filter support (Item #1) repeat this for each air screen (see Fig. 2 and 5).
18. Restore power to the unit.

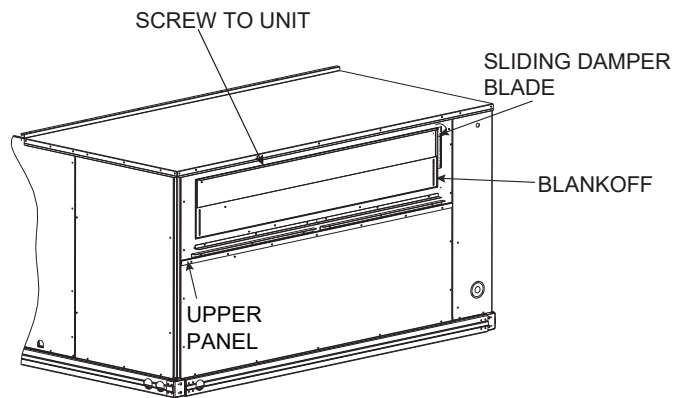


Fig. 1 — Assembled Damper

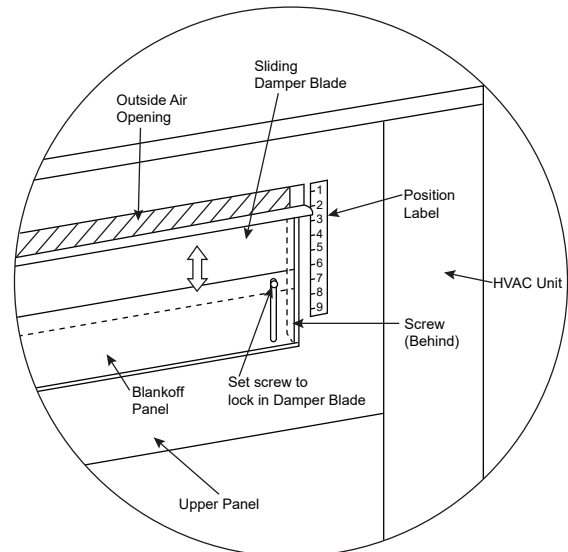
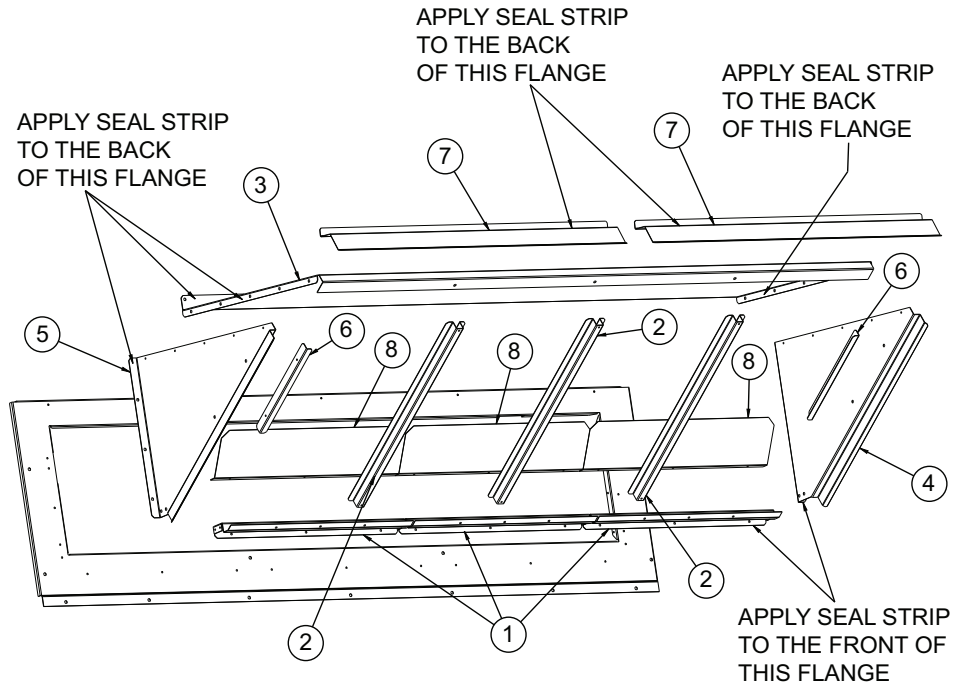


Fig. 2 — Position Label



ITEM #	DESCRIPTION	QTY
1	Filter Supports	3
2	Central Retainer	3
3	Hood Top	1
4	Left Hood Side	1
5	Right Hood Side	1
6	Side Retainer	2
7	Top Diverters	2
8	Deflector	3

Fig. 3 — Hood Part Identification and Seal Strip Application Areas

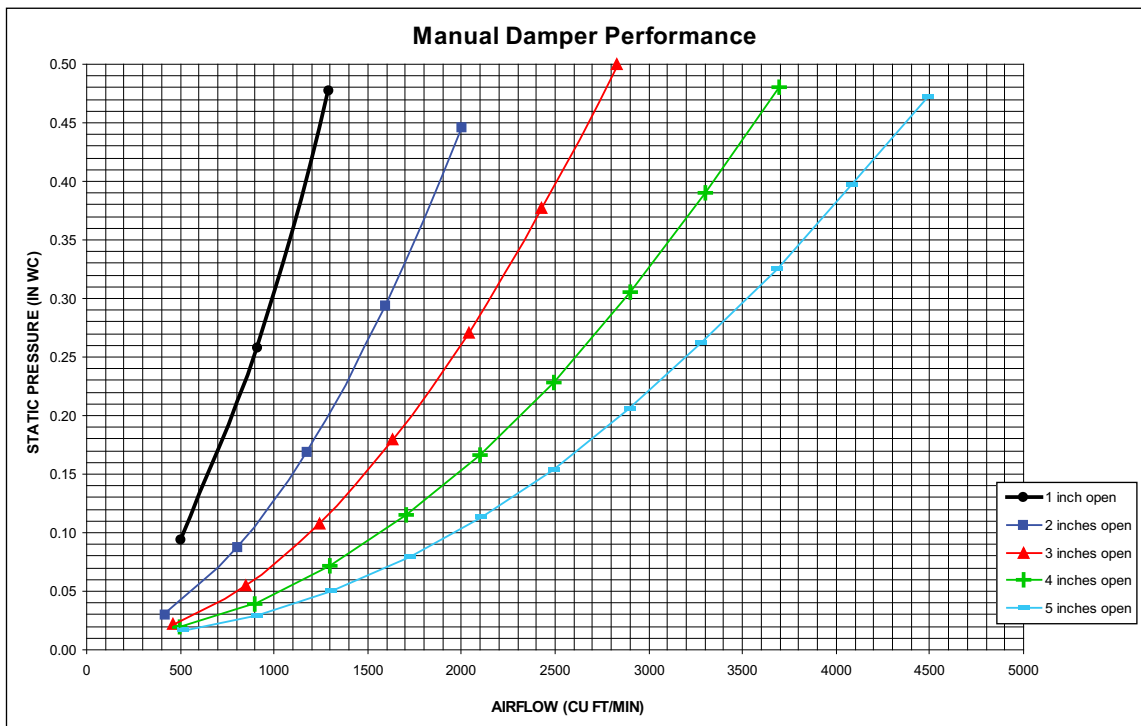


Fig. 4 — Manual Damper Performance

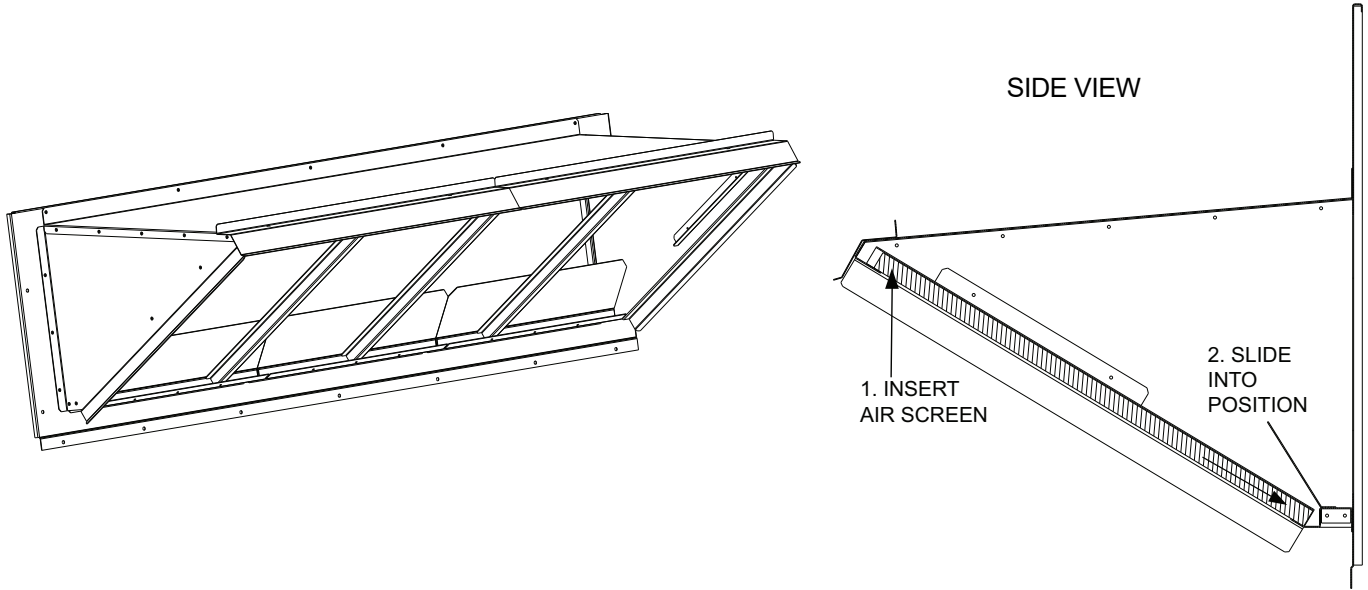


Fig. 5 — Outside Air Hood Assembly