

Installation Instructions

INTRODUCTION

These instructions cover the installation of the standard filter rack kit for fan coils.


NOTE: Please read these instructions completely before attempting installation.

SAFETY CONSIDERATIONS

Improper installation, adjustment, alteration, service, maintenance, or use can cause explosion, fire, electrical shock, or other conditions which may cause death, personal injury or property damage. Consult a qualified installer, service agency, or your distributor or branch for information or assistance. The qualified installer or agency must use factory-authorized kits or accessories when modifying this product. Refer to individual instructions packaged with kits or accessories when installing.

Follow all safety codes. Wear safety glasses, protective clothing, and work gloves. Use quenching cloth for brazing operations. Have a fire extinguisher available. Read these instructions thoroughly and follow all warning or cautions included in literature and attached to the unit. Consult local building codes and the current editions of the National Electrical Code (NEC) for special requirements.

In Canada, refer to the current editions of Canadian Electrical Code CSA C22.1.

Recognize safety information. This is the safety alert symbol . When you see this symbol on the unit and in instructions or manuals, be alert to the potential for personal injury. Understand the signal words **DANGER**, **WARNING**, and **CAUTION**. These words are used with the safety alert symbol. **DANGER** identifies the most serious hazards which **will** result in severe personal injury or death. **WARNING** signifies hazards which **could** result in personal injury or death. **CAUTION** is used to identify unsafe practices, which **may** result in minor personal injury or product and property damage. **NOTE** is used to highlight suggestions which **will** result in enhanced installation, reliability, or operation.

WARNING

FIRE, EXPLOSION AND ELECTRICAL OPERATION HAZARD

Failure to follow this warning could result in personal injury or death.

The ability to properly perform maintenance on this equipment requires certain knowledge, mechanical skills, tools, and equipment. If you do not possess these, do not attempt to perform any maintenance on this equipment.

WARNING

ELECTRICAL SHOCK HAZARD

Failure to follow this warning could result in personal injury or death.

Before installing, modifying, or servicing system, main electrical disconnect switch must be in the OFF position and install a lockout tag. There may be more than one electrical supply to the fan coil. Check accessories and cooling unit for additional electrical supplies that must be shut off during furnace servicing. Lockout and tag switch with a suitable warning label. Verify proper operation after servicing.

DESCRIPTION AND USAGE

This filter rack is designed for use with fan coils installed in any direction.

INSTALLATION

NOTE: This rack is designed to be installed in a fan coil either prior to installation or into a unit already installed.

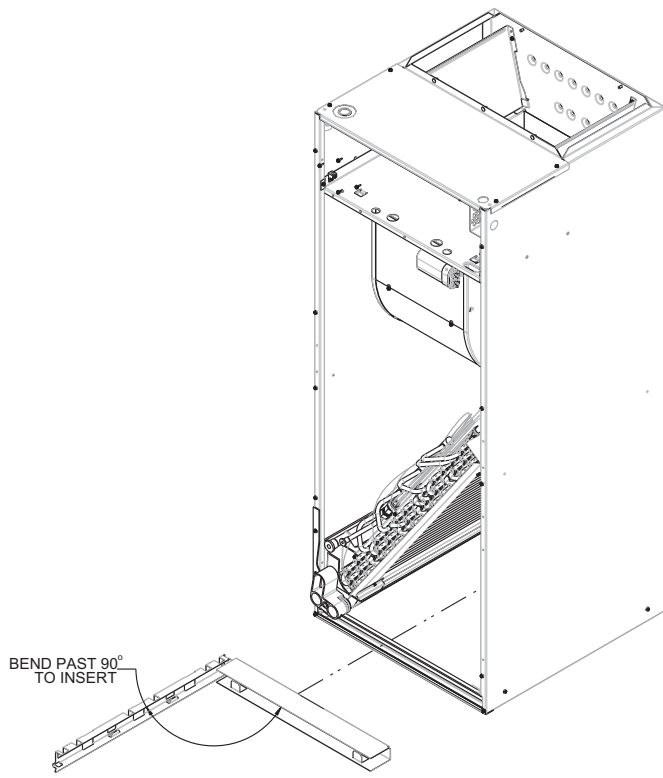
1. Remove the filter door at the return end of the fan coil.
2. Remove lower access panel from fan coil.
3. Remove the factory filter from the fan coil.
4. Bend the L-shaped standard filter bracket from the kit to make the L less than 90 degrees. (See Fig. 1)
5. Slide the bracket into the filter area of the fan coil until the bracket is all the way back and to the left of the cabinet.
6. Ensure the L bracket is firmly in place and tight against the left side and the back of the unit. No fasteners are needed to keep the bracket in place.
7. Insert a "standard-sized" filter into the bracket. Accepts 12-in., 16-in., 20-in. or two 12-in. filters, depending on fan coil cabinet width. (See Table 1)
8. Replace lower access panel on fan coil.
9. Replace the filter door on the fan coil.

CAUTION

CUT HAZARD

Failure to follow this caution may result in personal injury.

Sheet metal parts may have sharp edges or burrs. Use care and wear appropriate protective clothing and gloves when handling parts and servicing fan coil.



A13068

Fig. 1 - L-Shaped Bracket Configuration

Table 1 – Filter Kit Usage

FILTER KIT	CABINET WIDTH USAGE	FITS STANDARD FILTER SIZE – in (mm)
KFAFR0101FRM	14"	12" x 20" x 1" (305 x 508 x 25)
KFAFR0201FRM	17"	16" x 20" x 1" (406 x 508 x 25)
KFAFR0301FRM	21"	20" x 20" x 1" (508 x 508 x 25)
KFAFR0401FRM	24"	12" x 20" x 1" (305 x 508 x 25) [qty 2]