

**Specification Submittal Data / Panasonic Ventilation Fan**

**Description**

UL listed ceiling or wall mount Energy Recovery Ventilator provides a tempered air supply, humidity control, and a balanced amount of exhaust to help maintain neutral pressure throughout the home. Panasonic ERV shall not be installed in a bathroom. Only one unit is needed for a 1,750 sq. ft. 2 bedroom home to meet the ASHRAE 62.2 ventilation requirement.

**Motor/Blower:**

- Fully enclosed AC condenser motor rated for continuous run.
- Power rating shall be 120 volts and 60 Hz.
- Two highly efficient blower wheels running on single motor for lower power consumption and decreased noise.
- Motor equipped with thermal cut-off fuse control.

**Housing:**

- Rust proof paint, galvanized steel body.
- Dual 4" intake and exhaust ducts.
- Built in backdraft damper on exhaust duct.
- Filters on supply and exhaust air extend the life of the ERV core.
- Expandable mounting bracket up to 16" on center.

**Grille:**

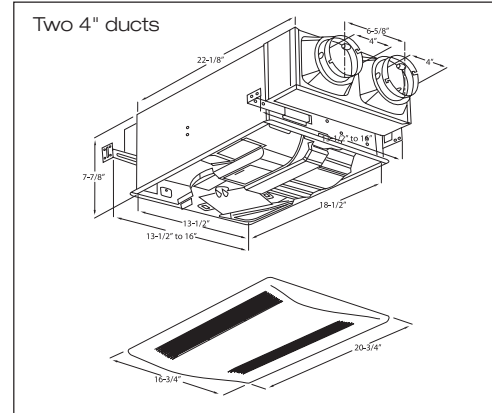
- Attractive design using ABS material.
- Attaches directly to housing with torsion springs.

**Warranty:**

- All Parts: 3 Years from original purchase date.

**Architectural Specifications:**

ERV shall be ceiling or wall mount type with no less than 40 CFM on the exhaust port, 30 CFM on the supply port, and no more than 0.8 sone as tested in accordance with HVI 915 and 916 standards at 0.1 static pressure in inches water gauge. Power consumption shall be no greater than 23 watts. Apparent Sensible Effectiveness for heating shall be no less than 66% at 30 CFM net air flow under 32°F (0°C) as tested in accordance with CSA-C439. Total Recovery Effectiveness for cooling shall be no less than 36% at 29 CFM net air flow under 95°F (35°C). The supply port damper shall close below 20°F (-7°C) to prevent freezing of the core. The motor shall be totally enclosed, AC condenser type engineered to run continuously. Power rating shall be 120v/60Hz. Duct diameter shall be no less than 4". ERV can be used to comply with ASHRAE 62.2, LEED, IAP, California Title-24, and WA Ventilation Code.

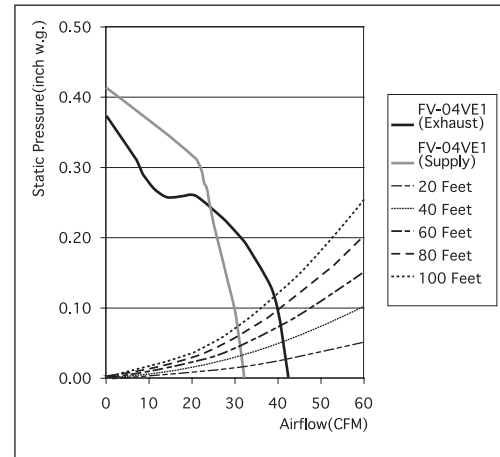


FV-04VE1

**ERV Core Technology:**

- Indoor and outdoor air passes through Panasonic's capillary core technology. This process tempers supply air while transferring moisture and energy.
- Built in Frost Prevention Mode prevents the core from freezing. Frost Prevention Mode is free of interaction and operates without intervention.

Specifications: <b>WhisperComfort</b> FV-04VE1			
Air Volume Setting	40 CFM	20 CFM	10 CFM
Static Pressure in inches w. g.	0.1	0.1	0.1
Exhaust Air Volume (CFM)	40	20	10
Supply Air Volume (CFM)	30	20	10
Noise (sones)	0.8	<0.3	N/A
Power Consumption (watts)	23	21	17
Speed (RPM)	1479	1292	1095
Current (amps)	0.15	0.10	0.09
Power Rating (V/Hz)	120/60		
Apparent Sensible Effectiveness for Heating	66% at 30 CFM and 32°F (0°C)		
Total Recovery Efficiency for Cooling	36% at 29 CFM and 95°F (35°C)		



For complete Installation Instructions visit [us.panasonic.com/ventfans](http://us.panasonic.com/ventfans)

Model	Quantity	Comments	Project:
			Location:
			Architect:
			Engineer:
			Contractor:
			Submitted by:
			Date:

**Panasonic Life Solutions Company of America**  
IAQ Division  
Two Riverfront Plaza  
Newark, NJ 07102

[us.panasonic.com/ventfans](http://us.panasonic.com/ventfans)



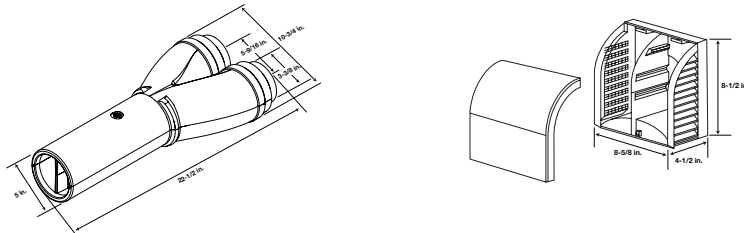
IAQ20001ST



**Specification Submittal Data** / Panasonic Ventilation Fan  
(Continued)

**Optional Accessories**

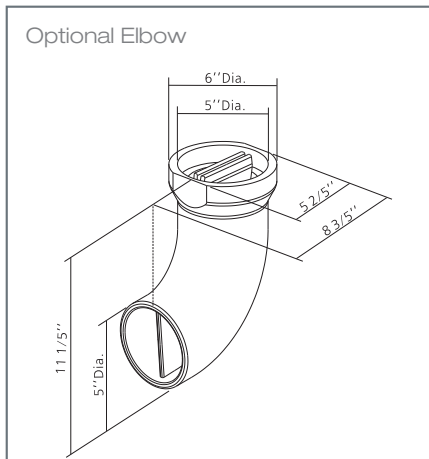
Optional Exterior Wall Cap



**Exterior Wall Cap**

FV-WC04VE1 polypropylene wall cap with styrofoam adaptor allows both exhaust (from the right) and supply (from the left) airflow through a 5.5"-5.75" hole in the building envelope. The dividers inside the bottom portion of the Y shape chamber and the new wall cap help prevent cross contamination.

Optional Elbow



**Elbow**

FV-EB04VE1 styrofoam elbow connects to the Y shaped adapter of the exterior wall cap to help simplify wall installation. The elbow also features double chambers for exhaust and supply air to help prevent cross contamination.

Exterior Wall Cap and Elbow Used Together

