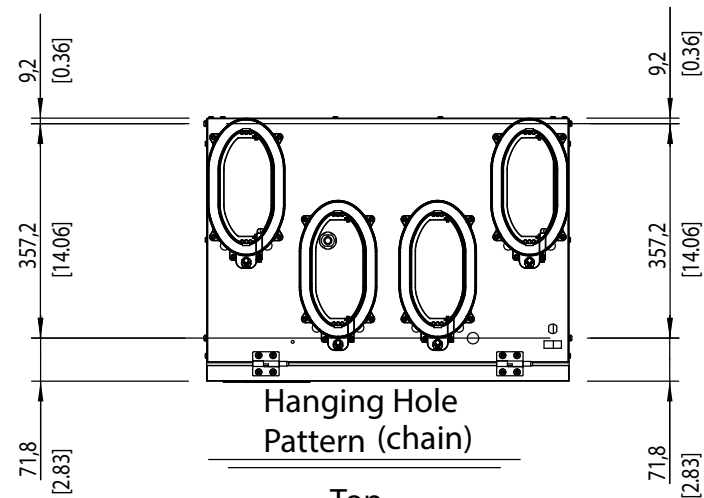
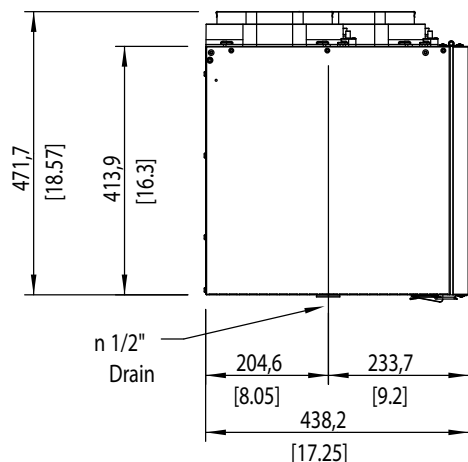


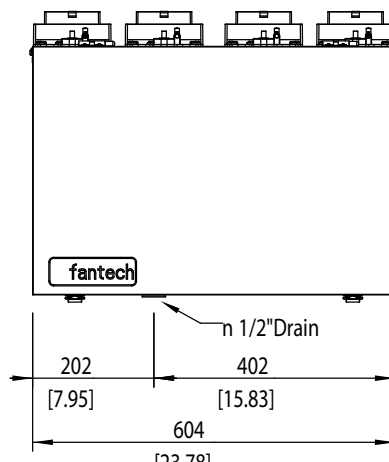
Top View



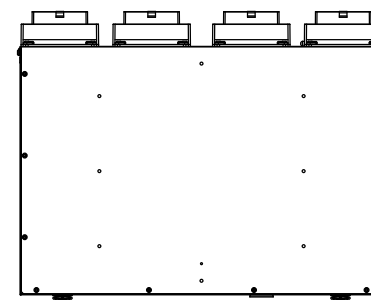
Top View



Left View



Front View



Back View

| | | |
|------------------------------------|-----|---------|
| Model: VHR150 VHR150R VER150 | NTS | E400087 |
|------------------------------------|-----|---------|



fantech[®]
a systemair company