

READ COMPLETE SAFETY INSTRUCTIONS AND INSTALLATION TEMPLATE BEFORE STARTING

ATTENTION INSTALLER:

This product must be installed by a qualified heating and air conditioning contractor. Failure to do so could result in personal injury from electrical shock. This product must be installed in compliance with all local, state and federal codes.

WATER SAVER BYPASS HUMIDIFIER

WARNING

- ELECTRICAL SHOCK HAZARD.** Disconnect electrical power to the furnace or fan coil and install lock-out tag before starting installation. Failure to do so could result in personal injury from electrical shock.
- SHARP EDGES HAZARD.** Sharp edges may cause personal injury from cuts. Use care when making plenum openings and handling ductwork.
- RISK OF SCALDING.** Water temperature over 125°F (52°C) can cause severe burns and scald instantly. Shut off the hot water supply before disconnecting or tapping into any hot water supply line.

CAUTION

RISK OF PROPERTY AND EQUIPMENT DAMAGE.

- Do not install humidifier where freezing temperatures could occur. The water line could freeze and crack causing water damage to the home.
- Do not install humidifier or bypass connection on the furnace cabinet.
- Do not install humidifier or bypass connection on a plenum face where the blanked off ends of the cooling coil will restrict air movement through the humidifier.
- Do not set humidity level above recommended or to recommended level if condensation exists on inside windows of any unheated space, as condensation damage may result. Excess humidity can cause moisture accumulation which can allow the possibility for mold growth in the home.
- Do not connect humidifier transformer to blower motor wiring. Premature component failure may result.
- When installing Humidifier Control on downflow furnace, ensure blower continues to run after a heat call is satisfied to eliminate high temperatures from damaging the Control.
- Do not install humidifier where water pressure exceeds 125 psi, since damage to the humidifier may result. Follow codes in effect concerning pressure reduction.
- Do not install humidifier on systems with greater than 0.4 in. w.c. pressure differential between supply and return plenums.
- Using non-recommended pads may result in leaks or improper operation.

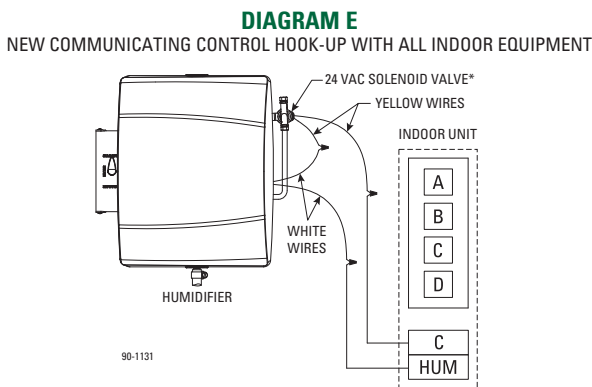
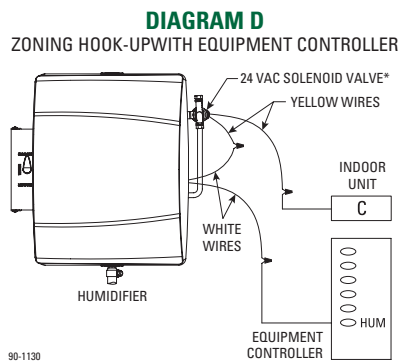
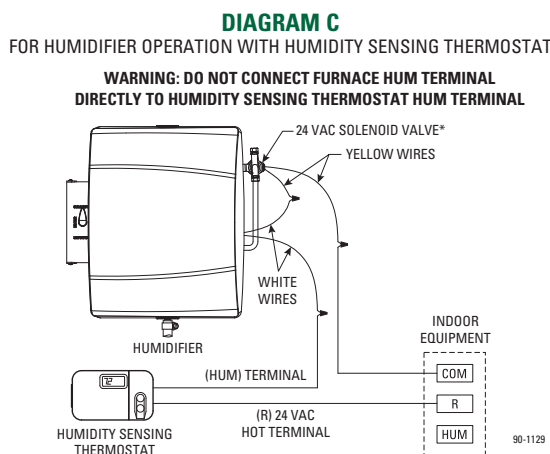
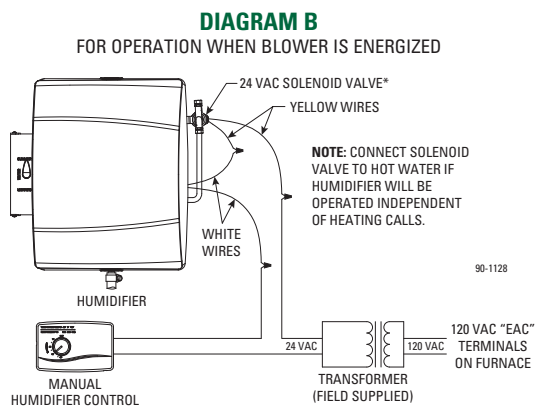
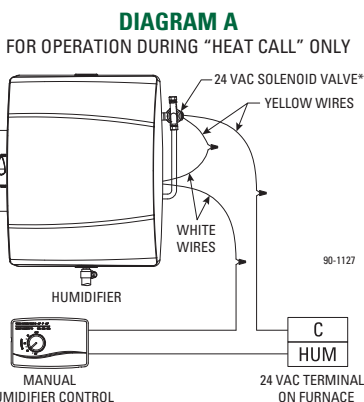
SPECIFICATIONS

- HUMIDIFIER DIMENSIONS**
 Width (including solenoid valve): 15 3/8" (391 mm)
 Height (including drain spud): 15 3/4" (400 mm)
 Depth: 10 1/4" (260 mm)
- BYPASS DUCT OPENING**
 6" (152 mm) diameter
- PLENUM OPENING**
 10"W x 12 3/4"H
 (254 mm W x 324 mm H)
- WATER FEED RATE**
 3 gph (11.35 liters/hour)
- ELECTRICAL DATA**
 24 VAC-60 Hz, 0.5 AMP

WIRING DIAGRAMS

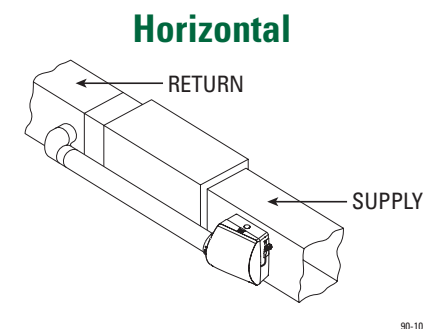
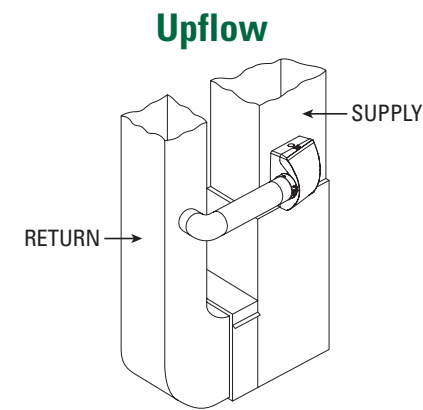
HumidiTrac™ Automatic Humidifier Control

For detailed Automatic Humidifier Control installation and wiring instructions, see Form IM-AHC-03 included with Control.



INSTALLATION OPTIONS

The humidifier can be installed on either the supply or return plenum of a forced air handling system and is easily reversible for installation with right hand or left hand bypass duct connections. The humidifier dimensions and serviceability must be considered when selecting the best location for the humidifier.



*Note: Internal float switch circuits are wired in series with one leg of the solenoid.

TEMPLATE MUST BE LEVEL

READ REVERSE SIDE FIRST!

- TOP -

READ REVERSE SIDE FIRST!

READ COMPLETE SAFETY INSTRUCTIONS AND INSTALLATION TEMPLATE BEFORE STARTING

FURNISHED ITEMS
Built-in bypass damper
Saddle valve
Humidifier Installation Template
ITEMS NOT FURNISHED
24 VAC Humidifier Control
24 VAC Transformer
Mounting screws (sheet metal screws)
Water supply line (1/4" copper)
Drain line (1/2" I.D. hose)
Low voltage wire
Bypass ductwork

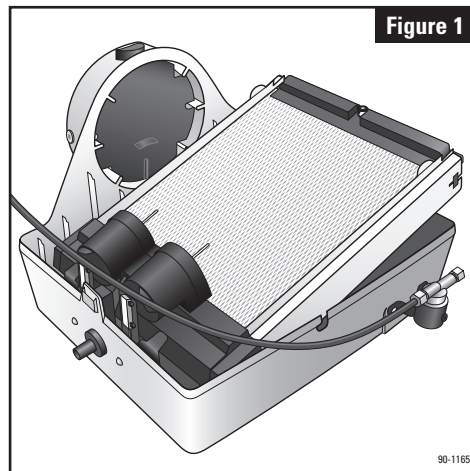


Figure 1

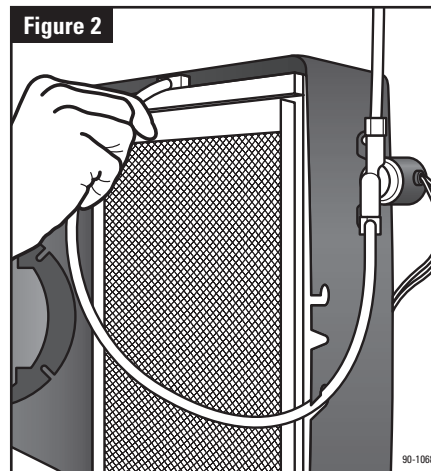


Figure 2

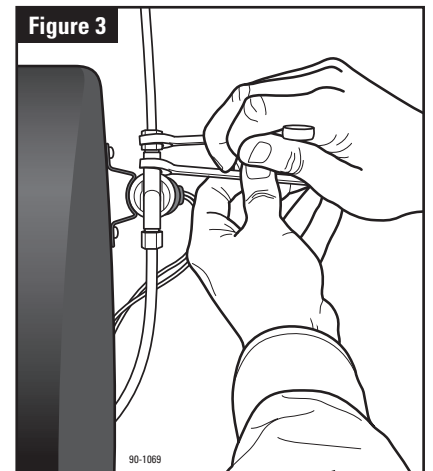


Figure 3

1. Remove front cover by pressing center tabs on top and bottom of the cover (1) and base (2). Pull feed tube (3) out of the water distribution tray (4). Tip the evaporative assembly forward and lift it out of the humidifier. (See Figure 1)

2. The humidifier comes assembled for left side discharge. If converting to right side discharge, the base can be rotated so round collar is facing to the right. Swap the location of the hole plug (10) and water level sensor assembly (9) if using a right side discharge. To remove the cap, push and twist from inside the housing while lifting the cap up slightly on the outside. To remove the drain spud, twist and push from the outside of the base.

3. Using a level, position this template at least 3 inches (76 mm) above the furnace housing or cooling coil, if applicable, for clearance of the drain line. Trace around template edges. Remove the template and accurately cut the plenum opening 10" (254 mm) W x 12 3/4" (324 mm) H, being careful to avoid injury from sharp edges.

4. Place the humidifier into the plenum opening, install six sheet metal mounting screws (not furnished) at the top and sides of the humidifier interior.

5. Install a 6" (152 mm) collar in a convenient location on the opposite plenum. Attach a 90° elbow and measure the length of 6" (152 mm) round duct required to make the connection. The design of the

humidifier collar provides a solid connection with the bypass duct through the use of inside support ribs and pre-formed holes for sheet metal screws. Slip the duct inside the collar of the humidifier, up to the support ribs. Using the pre-formed holes at the top and bottom of the humidifier collar, secure the duct to the humidifier collar with two sheet metal mounting screws (not furnished). Support bypass ducts longer than 4 feet (1.2 m) to prevent sagging.

6. Insert evaporative assembly into base. Make sure bottom of scale control insert (6) is seated in water level sensor assembly (9). Snap top of evaporator assembly into base. Insert feed tube into distribution tray. (See Figure 2) Make sure float cover (14) is snapped into place and that floats (13) move freely up and down. Rotate nameplate (11) if necessary, so it is right side up. Place point bypass damper handle (8) to "WINTER" (open) for heating season and "SUMMER" for cooling season.

7. Locate and install a Manual Humidifier Control by following the instructions shown in step #7A. For Automatic Humidifier Control installation instructions, see Form IM-AHC-01 included with the Automatic Control. **DISCONNECT ELECTRICAL POWER TO FURNACE BEFORE PROCEEDING!**

7A. MANUAL HUMIDIFIER CONTROL INSTALLATION INSTRUCTIONS:

The Manual Humidifier Control is designed for low voltage service to control humidification equipment. An increase in relative humidity expands the nylon ribbon that opens the control switch to stop operation of the humidifier. A decrease in relative humidity reverses the process and closes the control switch.

LOCATION

For Wall Mount:

1. Locate on inside wall of living area approximately 5 feet above floor.
2. Do not locate Control in the direct path of furnace discharge air or drafts from open doors and windows.
3. Do not install where operation might be affected by lamps, sunlight, fireplace registers, radiators, concealed air ducts and pipes or room occupants.
4. The basic rules for location of thermostats also apply to humidifier controls.
5. Remove and discard foam gasket and secure control to wall over wire access opening with screws provided.

For Return Duct Mount:

1. Position manual humidistat at least 6" upstream of bypass duct connection or humidifier.
2. Avoid injury from sharp edges when cutting opening.
3. Make sure foam gasket is in place and secure control to duct with screws provided.

GENERAL INSTRUCTIONS

1. Do not attempt to repair or recalibrate Humidifier Control. Humidifier Controls requiring service should be returned to your distributor.
2. Use Humidifier Control in low voltage (24 VAC) applications only. Install 24 VAC wiring to Humidifier Control as shown in Wiring Diagrams, opposite side.
3. Make sure no bare wires are exposed or insulation damaged. Insulation on wire should extend to head of screws.
4. Make sure all splices are mechanically and electrically secure.
5. To remove dirt or other foreign matter from nylon ribbon and control interior, dust lightly with a fine, soft brush.

function with cold, hot, softened or unsoftened water. The use of service hot water (140°F (60°C) MAX.) and constant blower operation will provide maximum evaporative capacity.

NOTE: The saddle valve is designed to be fully opened or closed. Do not use it to regulate water flow.

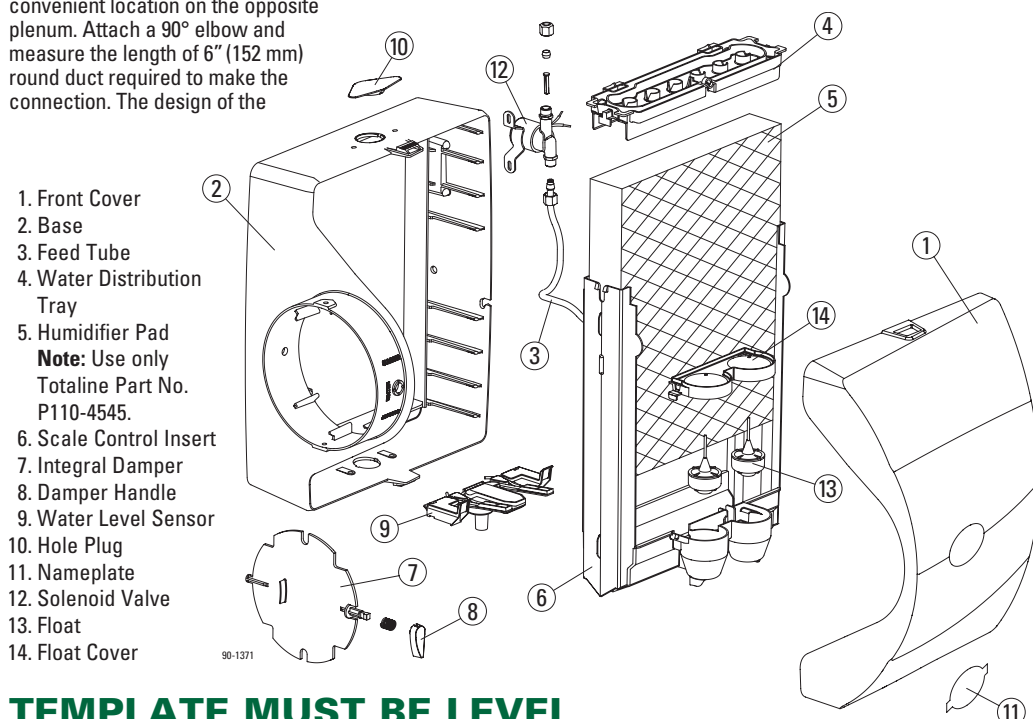
10. Connect tubing from the saddle valve to the inlet side of the solenoid valve using 1/4" O.D. copper tubing (not furnished). **DOUBLE WRENCH TO PREVENT LEAKING!** (See Figure 3)

11. Drain spud is designed to accept 1/2" I.D. plastic hose (not furnished). Run safety overflow drain line from drain spud to floor drain. **CAUTION: If hose clamp is used, do not over tighten, drain spud could crack. Make sure drain line has constant downward slope and is not kinked. NOTE: Do not sweat or directly attach metal drain line to fitting. Do not use solvent type adhesive when connecting plastic drain line, since damage to fitting could result.**

12. Open saddle valve completely and turn on furnace. Turn up humidifier control so that humidifier will turn on. Allow humidifier to run until water is observed coming out of the drain line. Check to see if humidifier and saddle valve are watertight. Check operation to make sure that all electrical components function properly. Set humidifier control to level recommended in Owner's Manual.

NOTE: BEFORE LEAVING THE JOB SITE, MAKE SURE:

1. Saddle valve is fully open.
2. All plumbing connections are watertight.
3. Humidifier functions properly.
4. Bypass damper is in proper position.



8. In order for humidifier to turn on, the furnace blower must be operating and the Humidifier Control must be calling for humidity. The interface between the humidifier and the furnace to detect blower operation can be accomplished several different ways. See wiring diagrams on other side for options. Do not use furnace blower motor wiring to power transformer. Damage to equipment may result.

9. Tap into a water supply line with the saddle valve furnished. See instructions on saddle valve package. The humidifier will

IMPORTANT! Be sure owner's manual containing instructions for operation and warranty information is given to owner in order to avoid unnecessary calls. Warranty is void unless humidifier is installed by qualified heating and air conditioning contractor due to possible misapplication of product.

TEMPLATE MUST BE LEVEL