

Rev. 10/31/17

Features & Options

- Covers Wall Imperfections during Retrofits
- Different Colors and Sizes, Horizontal or Vertical Mounting
- Made of ABS Flame-Retardant Plastic

BAPI Adaptor Plates are designed to cover wall imperfections when installing wall sensors or thermostats. They are made in three different sizes and four different colors to match the sensor. The Adaptor Plates can be painted or wall papered in place if architecturally required.

ORDERING INFORMATION

ALC/ADP-525-7-WMW Adaptor Plate, 5.25 x 7" Warm White

ALC/ADP-525-7-OFW..... Adaptor Plate, 5.25 x 7" Off White

ALC/ADP-525-7-CPW..... Adaptor Plate, 5.25 x 7" Copla White

ALC/ADP-525-7-CDW Adaptor Plate, 5.25 x 7" Cloud White

ALC/ADP-53-53-WMW Adaptor Plate, 5.3 x 5.3" Warm White

ALC/ADP-53-53-OFW..... Adaptor Plate, 5.3 x 5.3" Off White

ALC/ADP-53-53-CPW..... Adaptor Plate, 5.3 x 5.3" Copla White

ALC/ADP-53-53-CDW Adaptor Plate, 5.3 x 5.3" Cloud White

ALC/ADP-37-55-WMW Adaptor Plate, 3.75 x 5.5" Warm White

ALC/ADP-37-55-OFW..... Adaptor Plate, 3.75 x 5.5" Off White

ALC/ADP-37-55-CPW..... Adaptor Plate, 3.75 x 5.5" Copla White

ALC/ADP-37-55-CDW Adaptor Plate, 3.75 x 5.5" Cloud White

ALC/ADP-37-55-WMW-UK Adaptor Plate (Europe), 3.75 x 5.5" Warm White

ALC/ADP-37-55-OFW-UK . Adaptor Plate (Europe), 3.75 x 5.5" Off White

ALC/ADP-37-55-CPW-UK . Adaptor Plate (Europe) , 3.75 x 5.5" Copla White

ALC/ADP-37-55-CDW-UK . Adaptor Plate (Europe) , 3.75 x 5.5" Cloud White

Color Reference

Sensor	Adaptor Plate Color	Approx. Pantone Color
Delta Style	Warm White or Beige	Warm Gray 2 C
BAPI-Stat 2.....	Warm White or Beige	Warm Gray 2 C
BAPI-Stat 3.....	Warm White or Beige	Warm Gray 2 C
LSBASE.....	Warm White or Beige	Warm Gray 2 C
LSPLUS.....	Warm White or Beige	Warm Gray 2 C
LSPRO	Warm White or Beige	Warm Gray 2 C
BAPI-Stat.....	Off White	Warm Gray 1C
LSBASE2.....	Off White	Warm Gray 1C
LSPLUS2.....	Off White	Warm Gray 1C
LSBASE3.....	Off White	Warm Gray 1C
LSPLUS3.....	Off White	Warm Gray 1C
LS3	Off White	Warm Gray 1C
RS.....	Off White	Warm Gray 1C
RS PLUS	Off White	Warm Gray 1C
RS Pro.....	Off White	Warm Gray 1C
RS Pro F.....	Off White	Warm Gray 1C



ALC/ADP-525-7-WMW



ALC/ADP-53-53-WMW



ALC/ADP-37-55-WMW



ALC/ADP-37-55-WMW-UK



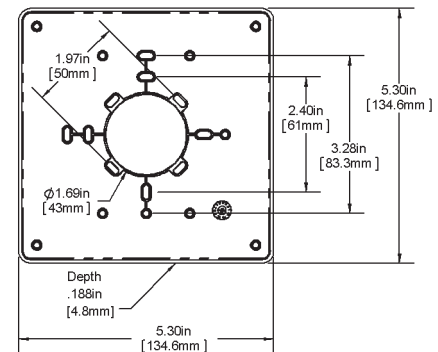
Specifications

Material	ABS plastic, Flame-retardant, UL 94, V-0
Application	Horizontal or Vertical
Mounting	Dry wall, US back box or European back box
Dimensions	W x H x D
ADP-525-7	5.25" x 7" x 0.188", (133.4 x 177.8 x 4.8 mm)
ADP-37-55	3.75" x 5.5" x 0.188", (95.3 x 139.7 x 4.8 mm)
ADP-53-53	5.3" x 5.3" x 0.188", (134.6 x 134.6 x 4.8 mm)

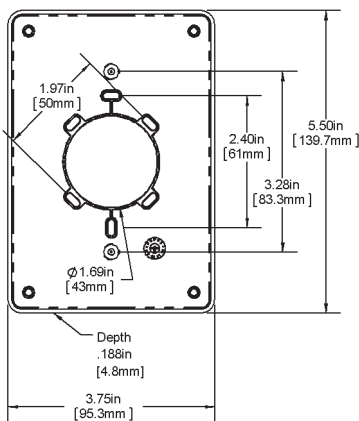
Color Match

WMW	Delta, BAPI-Stat 2, EU, BAPI-Box (Approx. Pantone Warm Gray 2)
OFW	BAPI-Stat (Approx. Pantone Warm Gray 1)
CPW	Copla White – Delta, BAPI-Stat 2 (Appr. Pantone Cool Gray 2)
CDW	Cloud White – Delta, BAPI-Stat 2 (Appr. Pantone Cool Gray 1)

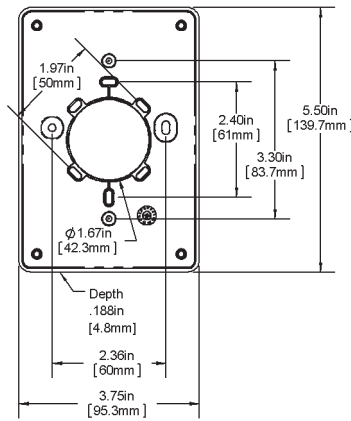
ALC/ADP-53-53-WMW



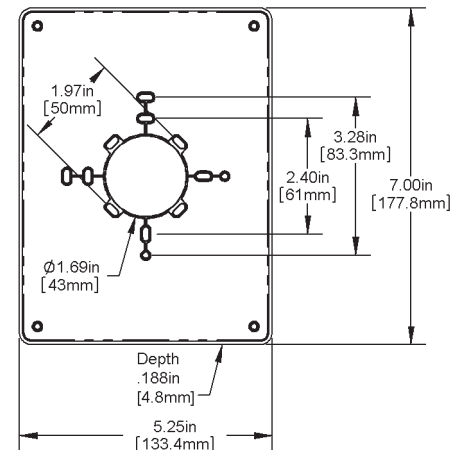
ALC/ADP-37-55-WMW



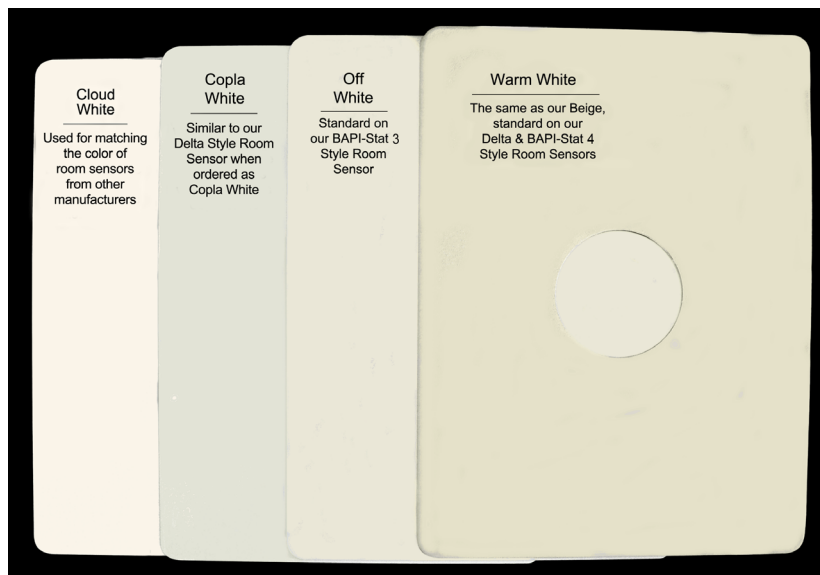
ALC/ADP-37-55-WMW-UK



ALC/ADP-525-7-WMW



Adaptor Plate Color Comparison



The image at left is meant as a comparison of the four Adaptor Plate colors. It is not meant as an indicator of the exact color of any of the Adaptor Plates because the printed colors will vary somewhat from the actual color.