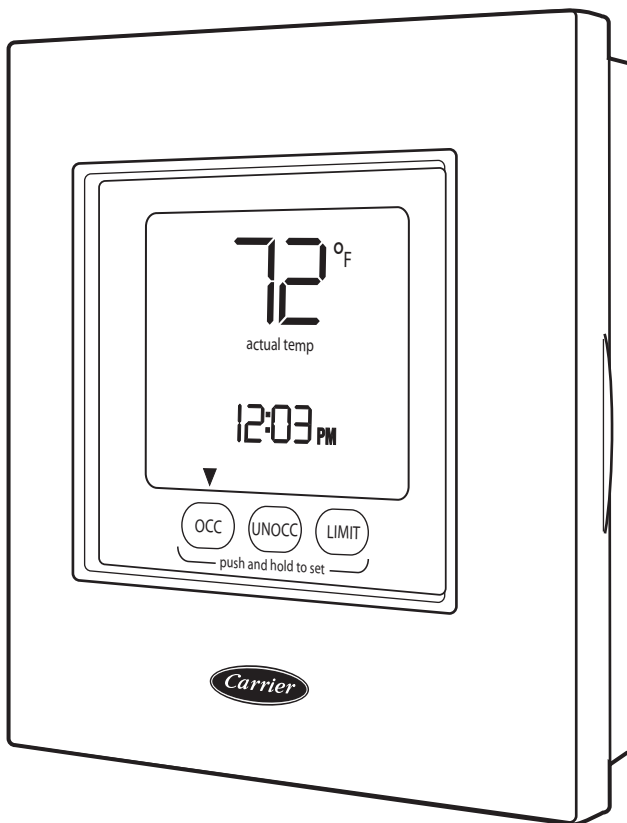




Product Specification

Comfort™ Pro Programmable Commercial Thermostat

Part Numbers 33CSCPACHP-01 and 33CSCPACHP-FC



Carrier's Comfort™ Pro commercial programmable thermostats offer:

- non-mercury, non-lead based electronic controls built into slim plastic enclosure
- 2-stage heat/2-stage cool with auxiliary heat (air conditioning, heat pump, and water source heat pump units) (P/N 33CSCPACHP-01)
- 2-pipe/4-pipe fan coil with 3-speed fan (2-speed for 2-pipe fan coil with emergency heat and water change-over sensor) (P/N 33CSCPACHP-FC)
- proportional integral control of heating and cooling stages
- remote sensing and averaging with occupancy override
- keypad lockout security with passcode protection
- Touch-N-Go® programmability — occupied, unoccupied and demand limit buttons with preset heating and cooling set points
- 5/2-day or all days programmable or non-programmable
- 4 or 2 periods per day selectable
- 24 vac or battery powered user-configured settings are stored for an unlimited period of time
- random start, smart recovery

Features/Benefits

Carrier's 5/2-day, or all days commercial programmable thermostats offer flexibility, quality, and reliability.

The wall-mounted, low-voltage thermostat maintains room temperature by controlling the operation of an HVAC (heating, cooling and ventilation) system. Separate heating and cooling set points and auto-changeover capability allow occupied, unoccupied, and demand limit programming for energy savings.

→ Specifications



The thermostat allows up to 4 time/temperature settings to be programmed in a 24-hour period. The thermostat stores schedules for 7 days and batteries are not required. In the event of power interruption, the internal memory stores comfort schedules for an unlimited time. The clock will continue to run for 24 hours. When 24 vac is not available to power the thermostat, batteries can be added. The clock will continue to run and temperature adjustments will be stored for the life of the battery.

Expanded backlit display includes English/metric unit selection and features mode and equipment status, occupancy, time of day, and outdoor-air temperature. In hospitality mode, the display will show user set point in place of actual temperature.

The Comfort™ Pro commercial programmable thermostat is capable of constant fan operation for 24 hours during continuous occupancy. During this time, the thermostat can be programmed and set points can be adjusted using occupied and unoccupied schedules. Additionally, the thermostat is capable of displaying outside or supply-air temperature using the remote sensor input.

Physical characteristics

Dimensions (L x W x D): 5.2-in. (132.08 mm) x 5.2-in. (132.08 mm) x 1.2-in. (30.48 mm)

Appearance: plastic material; white smooth cover with grey metallic trim around display

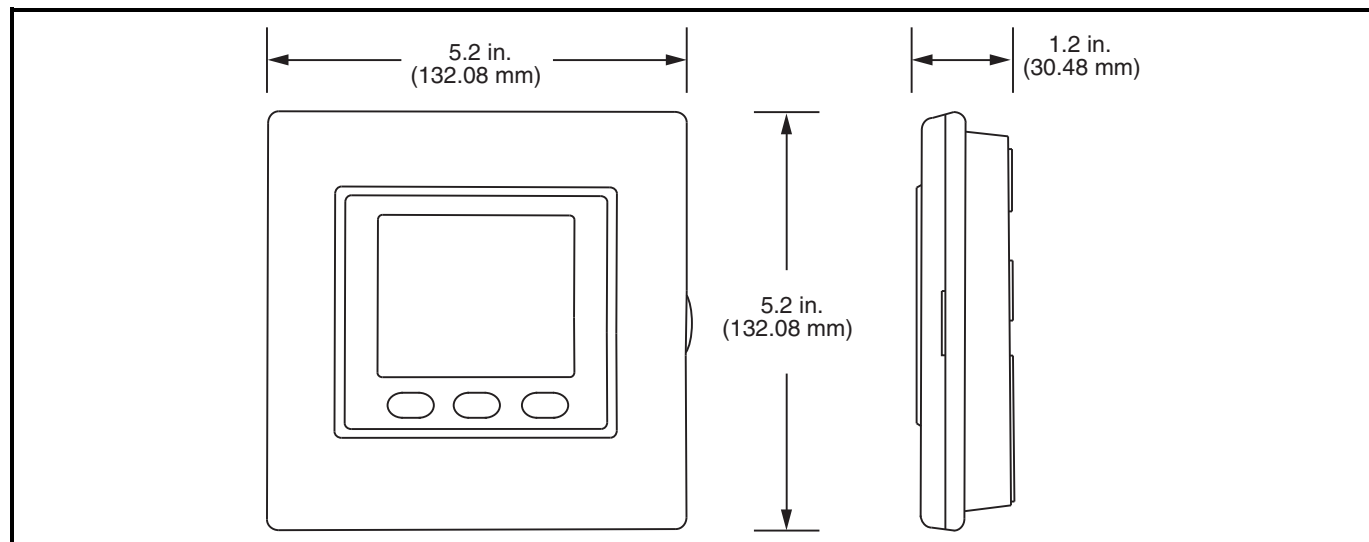
Weight: approx. 1/2 lb (0.23 kg)

Lead-free design

Power requirement

24 vac 50/60 Hz at 3 va RC/RH compatible

Dimensions



AA alkaline battery power also available (batteries not included)

Environmental requirements

Operating temperature: 32 to 104 F (0° to 40 C)

Storage: -40 to 135 F (-40 to 57 C)

Humidity: 0 to 95% RH (relative humidity), non-condensing

Agency approvals

FCC Part 15, Subpart J compliant

CE mark approval

Electrical characteristics

Inputs: 24 vac, 50/60 Hz, 3 va

Outputs:

Minimum Load = 1000 ohms

Maximum Load = 2.0 A, 50% pf (power factor)

Inductive

Nominal Load Capacity = 1.5 Amps

Temperature control

The thermostat uses proportional integral calculation to determine the number of stages required for heating or cooling (and fan speed for fan coil units) to provide accurate temperature control.

Accessories

Remote space sensor with occupancy override button (33ZCT55SPT)

Outdoor temperature sensor (33ZCSENOAT)

Supply/return air sensor (33ZCSENSAT)

Changeover sensor for 2-pipe fan coil (33CSWCOFC-01)

