



Features & Options

- Prevents Tampering, Damage and Unauthorized Adjustment
- Exceptional Airflow for Proper Thermostat Operation
- Made from Thick, Durable Polycarbonate
- Key Lock Protected
- Low Profile Design with Two Sizes to Fit Most Thermostats
- Horizontal or Vertical Mounting with Hardware Included

The BAPI-Guard prevents tampering, physical damage and unauthorized adjustment of thermostats. The attractive design is available in two sizes to fit most thermostats.

The BAPI-Guard is made of thick, durable polycarbonate and features exceptional airflow, key lock protection, horizontal or vertical mounting and easy installation with hardware included.



BAPI-Guard 2 Mounted Over a BAPI-Stat “Quantum” Sensor

Ordering Information

Part Number Description

BA/BG.....Larger BAPI-Guard Thermostat Protector

BA/BG2.....Smaller BAPI-Guard 2 Thermostat Protector

BA/KEY16187.....Replacement Key for BAPI-Guard and BAPI-Guard 2 (*Net Price, no multiplier)

Specifications

Material: Polycarbonate

Material Rating: UL94 V-0

The BAPI-Guard fits these common thermostats

BAPI-Stat “Quantum Prime”
Honeywell T7300, T7350, T7560, T7770 and
T7790 Series
Johnson Controls Metastat

The BAPI-Guard 2 fits these common thermostats

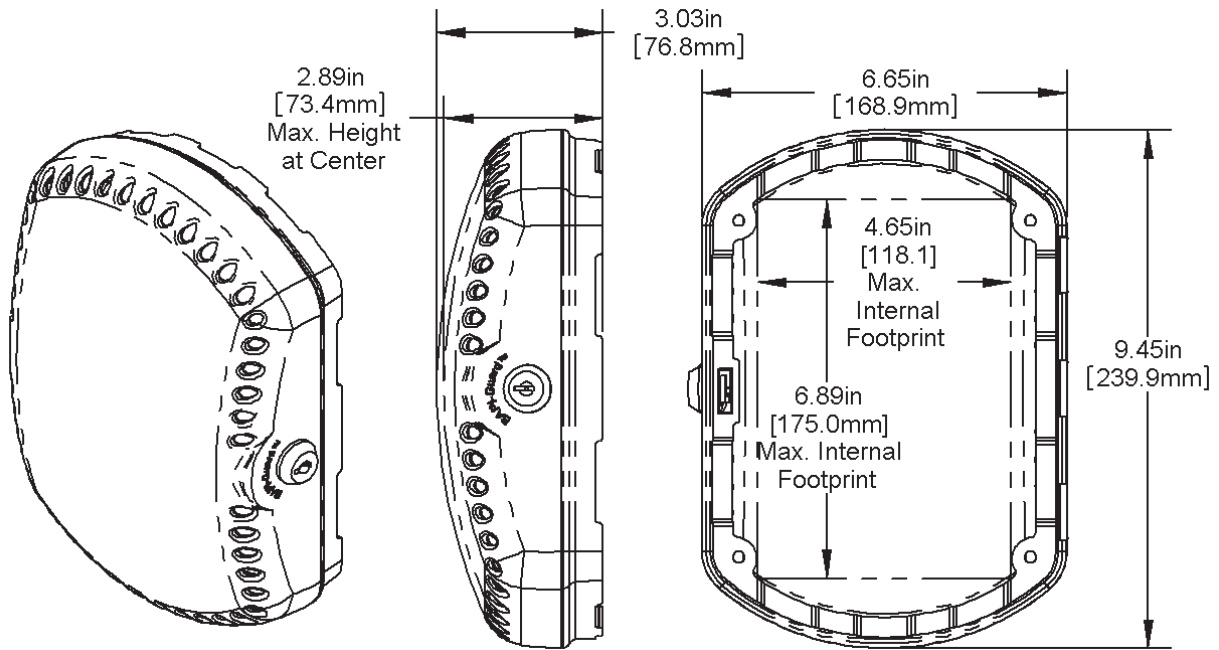
Delta Style Enclosure
BAPI-Stat “Quantum”
Automated Logic RS Series
York Zone Sensor
Invensys MN series

If you have a question about whether a model will fit a specific thermostat, please call BAPI.

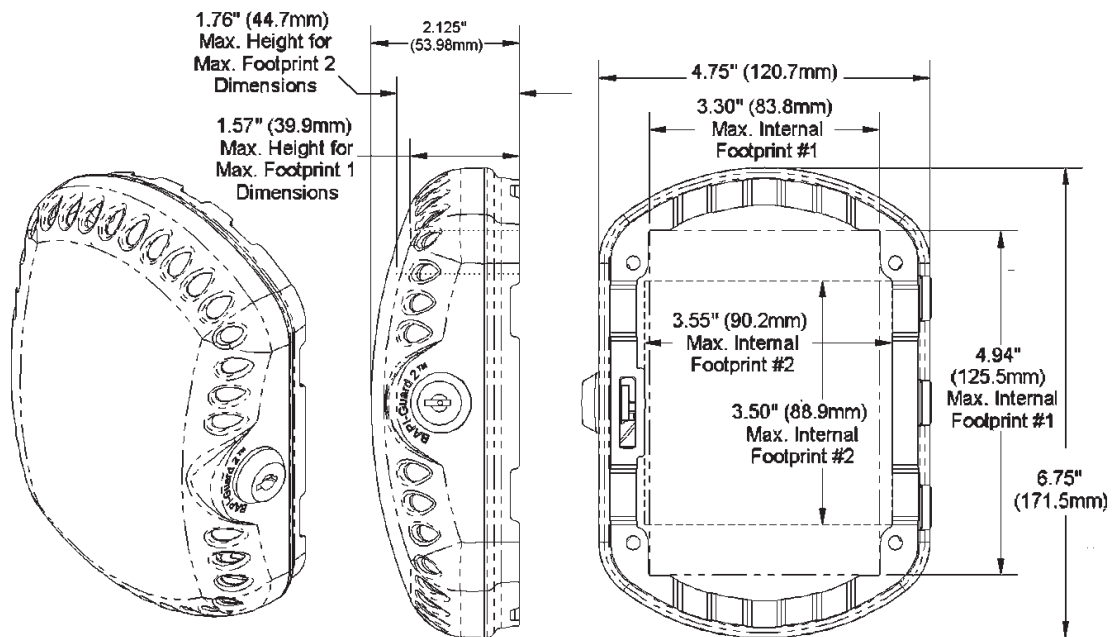




Dimensions



BAPI-Guard



BAPI-Guard 2

