

# Roofcurb Instructions For:

**CRRFCURB001A01,002A01...0537-014A,024A...CRB14-TC0407,CRB24-TC0407**  
**CRRFCURB003A01,004A01...0597-014A,024A...CRB14-TC0814,CRB24-TC0814**

Read these instructions completely before beginning. These installation instructions pertain to the CRRFCURB001A01, 002A01, 003A01, 004A01 series roofcurbs.

Care must be exercised in locating the unit's roofcurb and roof opening. The HVAC system should cross enough roof supports to safely distribute the system's weight over the roof.

**The following is a list of materials pertaining to your roofcurb.**

ROOFCURB LIST OF MATERIALS											
Carrier Part Number	MicroMetl Part Number	Customer Part Number	Height	Side	End	Deckpan	Support Deck	Return Support	Supply Support	Unit Locator	Gasketing
CRRFCURB001A01	0537-014A-00010	CRB14-TC0407	14"	2	2	*	1	1	1	--	32 ft.
CRRFCURB002A01	0537-024A-00010	CRB24-TC0407	24"							1	32 ft.
CRRFCURB003A01	0597-014A-00010	CRB14-TC0814	14"							1	32 ft.
CRRFCURB004A01	0597-024A-00010	CRB24-TC0814	24"							1	32 ft.

\* Deck Pan quantity may vary

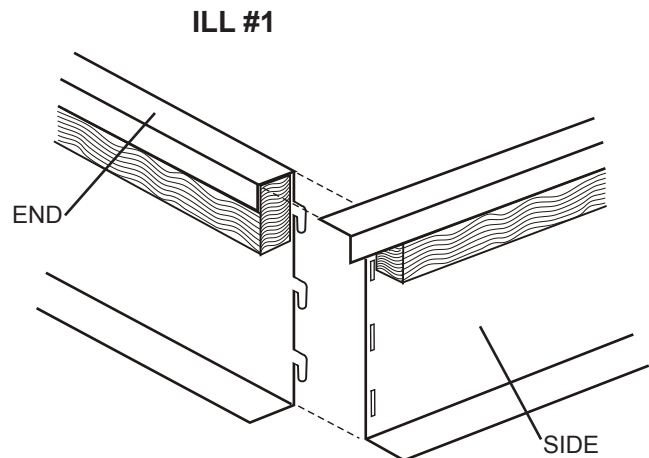
## INSTRUCTIONS:

1. Unpackage curb and locate all parts.
2. Bring together (1) curb side and (1) curb end. Insert tabs on curb end into slots on curb side. Press together until tab locks in place. It may be necessary to firmly step on top of curb end to lock tab in place. Repeat for all (4) corners.
3. If lifting curb after it has been assembled, hammer all corner tabs over to side.
4. On the CRRFCURB003, 004 curbs: Install the unit locator panel on the condenser end of the curb. This will ensure the duct openings in the curb and unit are properly aligned. Refer to unit locator detail.
5. Install (3) deck pans and support deck on compressor end of curb.  
Note: The location of deck pan with electrical hole (next page).
6. Install (2) duct supports on duct end of curb (see next page for dimensions). On CRRFCURB001A01 and CRRFCURB002A01 insert screw on underneath side where return and supply supports intersect and where return and cross supports intersect.

7. Square up curb by measuring diagonally across curb corners. Set curb in place over roof opening.
8. Manufacture duct and drop into curb duct openings. Install gasketing around top perimeter of curb and around top duct flanges.

**⚠ CAUTION**  
DO NOT CONNECT DUCTWORK TO ROOFTOP UNIT.

9. To prevent injury, cover top of curb until HVAC unit is set in place.



MicroMetl Indianapolis  
3035 N. Shadeland Ave., Suite 300  
Indianapolis, IN 46226

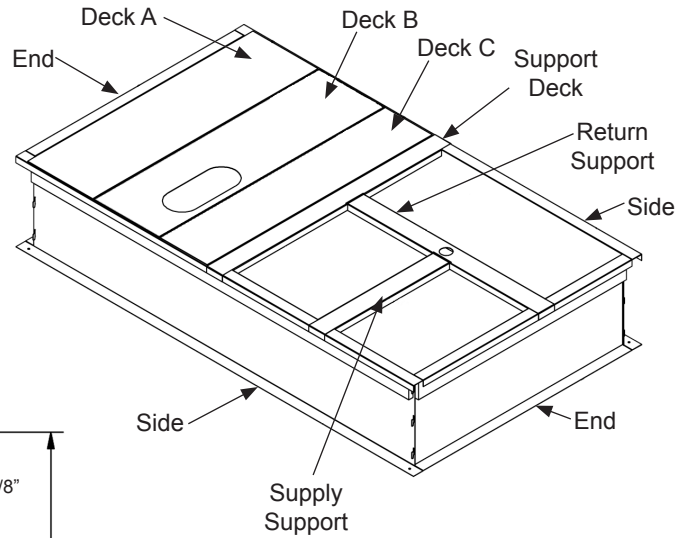
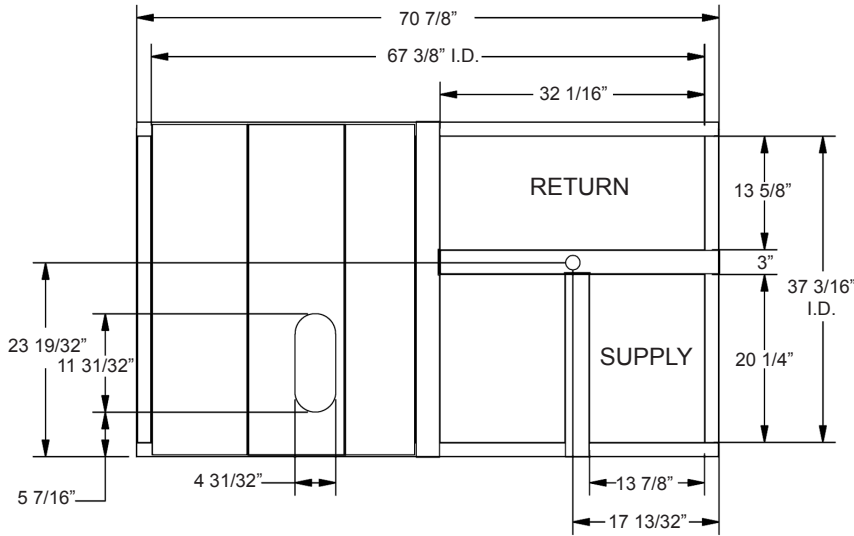
MicroMetl Longview  
201 Kodak Blvd.  
Longview, Texas 75602

MicroMetl West  
905 Southern Way  
Sparks, Nevada 89431

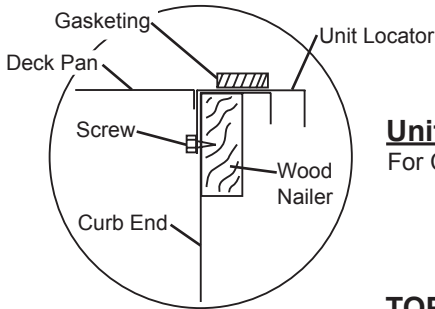
## CRRFCURB001A01 and CRRFCURB002A01

**IMPORTANT!**  
IF USING THRU THE  
BOTTOM POWER CONNECTIONS,  
REFER TO HVAC UNIT INSTRUCTIONS  
FOR INSTALLATION DETAILS.

### TOP VIEW

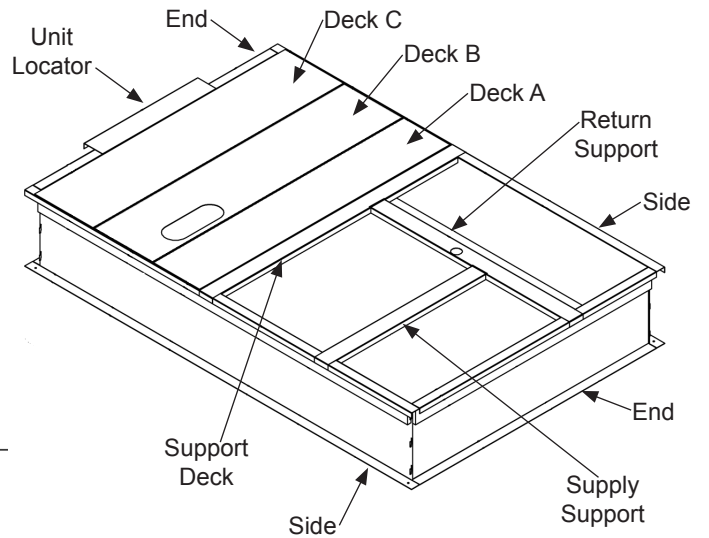
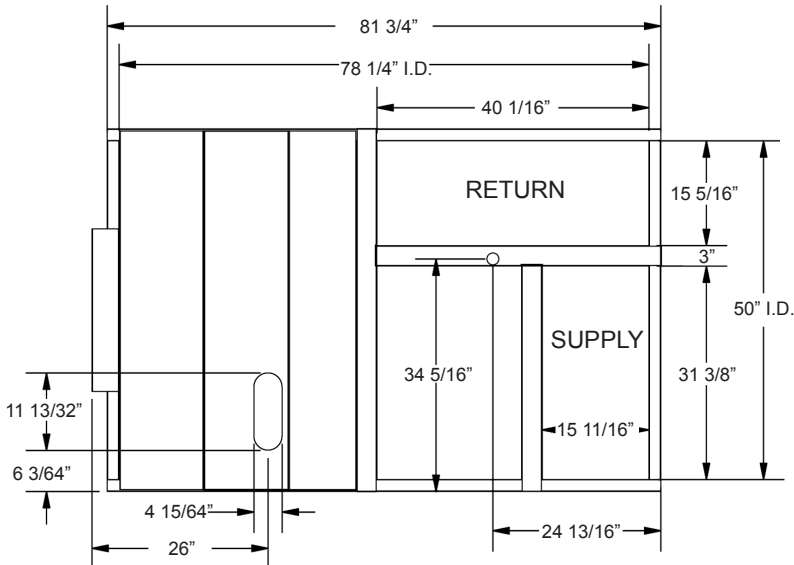


## CRRFCURB003A01 and CRRFCURB004A01



**Unit Locator Detail**  
For CRRFCURB003,004  
Only

### TOP VIEW

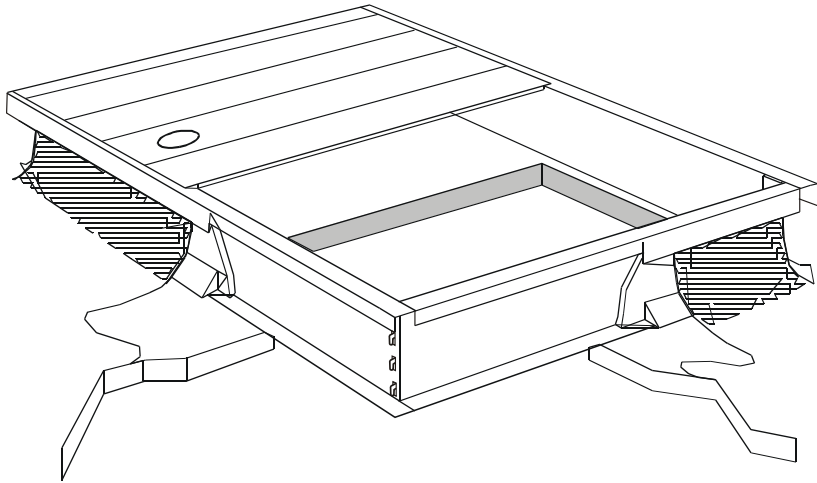


**IMPORTANT!**  
IF USING THRU THE  
BOTTOM POWER CONNECTIONS,  
REFER TO HVAC UNIT INSTRUCTIONS  
FOR INSTALLATION DETAILS.

# ROOFCURB INSTALLATION

## INSTRUCTIONS:

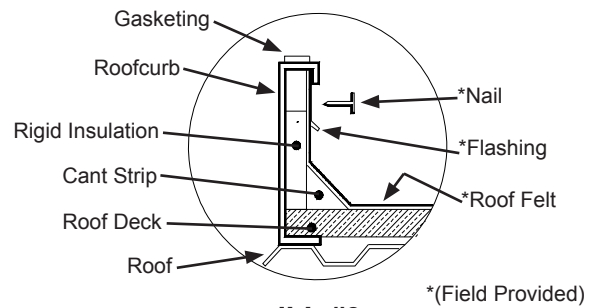
1. Cut roof opening to specified size and place curb over opening.



### CAUTION:

**Make sure curb is square.**

2. Insulate and add cant strip to the curb. Follow the suggested roofing procedures or acceptable procedures for applying roofing. Be sure the roofing extends up to the tack strip and is secured under proper counter flashing. (See illustration below).



**ILL #3**  
**Roofing Detail**

MicroMetl Indianapolis  
3035 N. Shadeland Ave., Suite 300  
Indianapolis, IN 46226

MicroMetl Longview  
201 Kodak Blvd.  
Longview, Texas 75602

MicroMetl West  
905 Southern Way  
Sparks, Nevada 89431

Manufacturer reserves the right to discontinue, or change at any time, specifications, designs and prices without notice and without incurring obligations.  
Form No. 7635-7P

Copyright MicroMetl Corporation 2012 All rights reserved.