

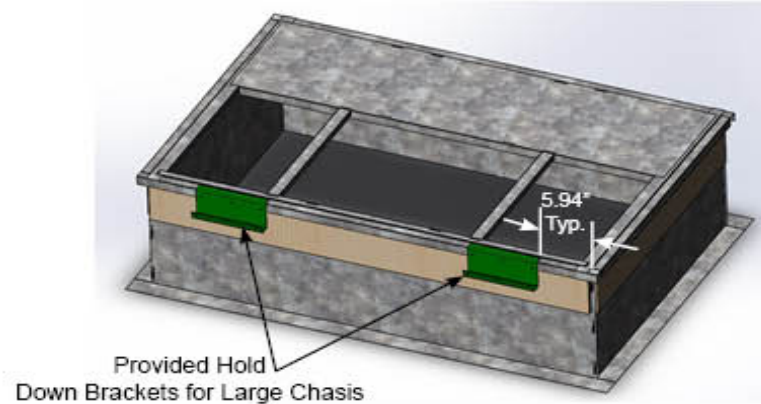
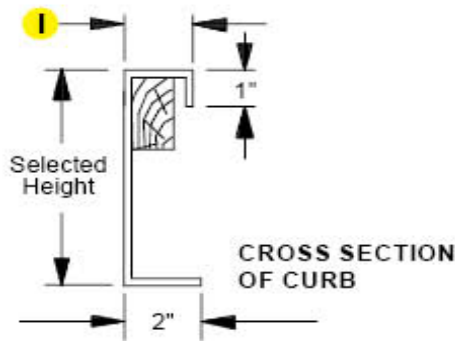
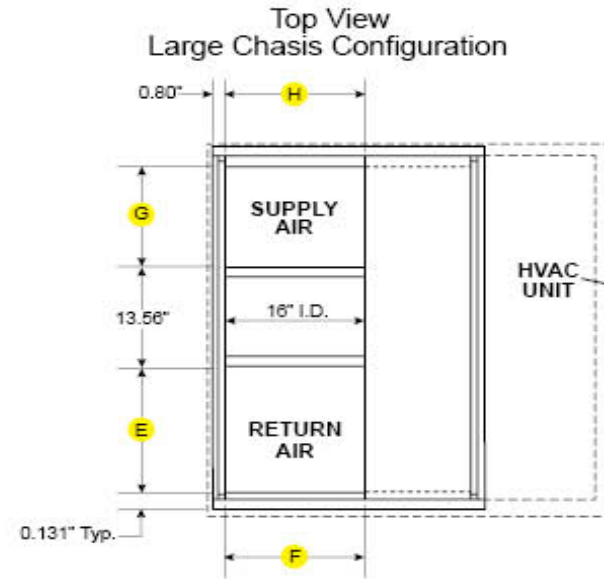
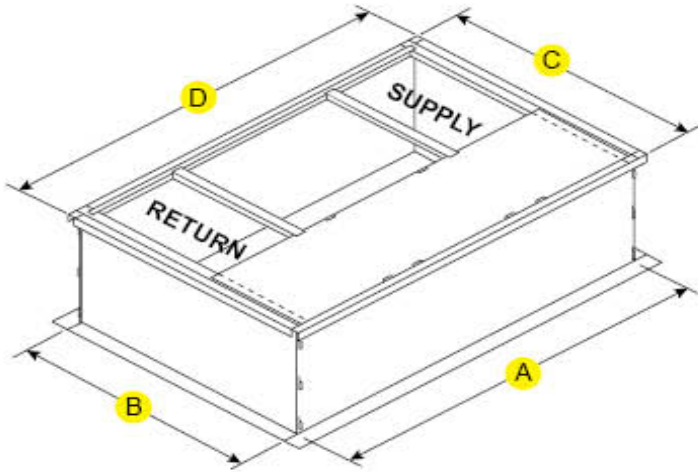


Date: _____ Weight: 85lbs (US) 38.56kg (Metric) Part Number: CRBK-SPPSMSA-141H

RTU: _____

Submitted to: _____ Approved by: _____ Notes: _____

Knockdown Curb - 14 Inches Tall Non Insulated Full Perimeter, Using Micro-Lock Galvanized Metal Construction. Knockdown Roof Curb Without Pitch, Insulated Deck Pans Included, Includes Wood Nailer, And Gasket Package. This Is A Universal Curb That Has Unit Overhang When Used With Large Cabinet Units. Two Hold Down Brackets Included For Large Chassis Curb. Similar To CPRFCURB011B00.



A - I.D.	B - I.D.	C - O.D.	D - O.D.	E	F	G	H	I	J
44.18	28.75	30.61	46.04	14.00	16.00	14.00	16.00	0.93	13.60

*Flange dimensions may vary

This Document Is The Property Of MicroMetl Corporation And Is Delivered Upon The Express Condition That The Contents Will Not Be Disclosed Or Used Without MicroMetl's Written Consent. MicroMetl Reserves The Right To Discontinue, Or Change At Any Time, Specifications & Designs Without Any Notice Incurring Obligations.

Master Revision: 0001B

Page Revision: 0001B

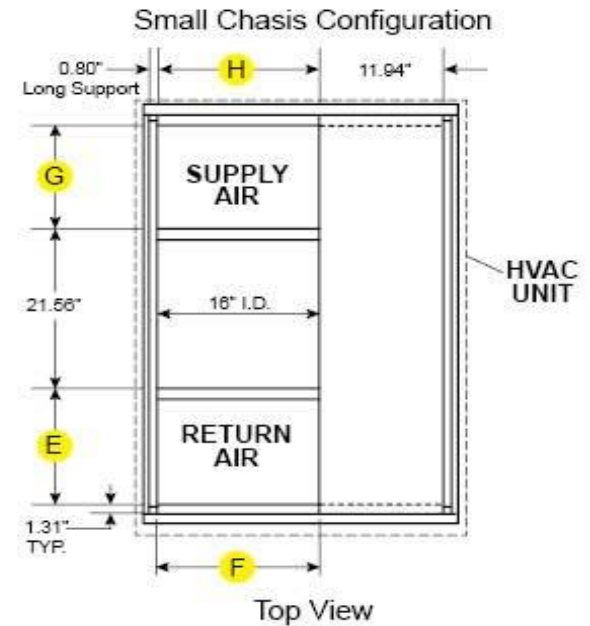
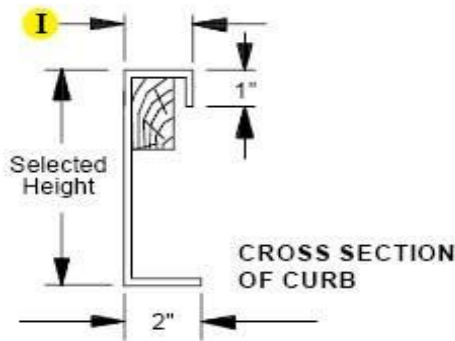
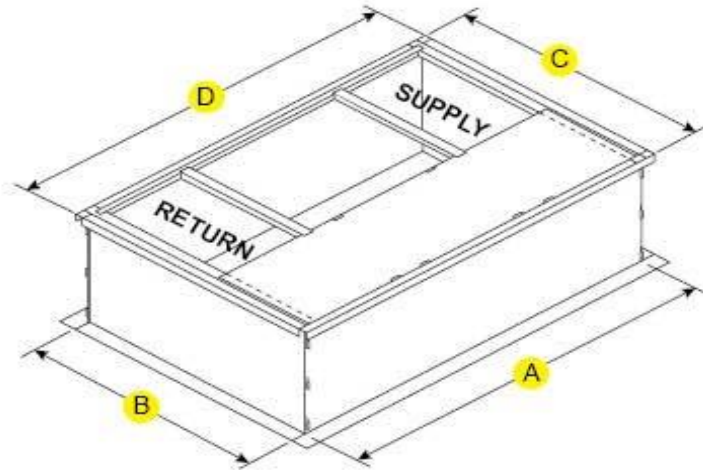


Date: _____ Weight: 85lbs (US) 38.56kg (Metric) Part Number: CRBK-SPPMSA-141H

RTU: _____

Submitted to: _____ Approved by: _____ Notes: _____

Knockdown Curb - 14 Inches Tall Non Insulated Full Perimeter, Using Micro-Lock Galvanized Metal Construction. Knockdown Roof Curb Without Pitch, Insulated Deck Pans Included, Includes Wood Nailer, And Gasket Package. This Is A Universal Curb That Is Full Perimeter For The Small Cabinet Units. Similar To CPRFCURB011B00.



A - I.D.	B - I.D.	C - O.D.	D - O.D.	E	F	G	H	I	J
44.18	28.75	30.61	46.04	10.00	16.00	10.00	16.00	0.93	21.60

*Flange dimensions may vary

This Document Is The Property Of MicroMetl Corporation And Is Delivered Upon The Express Condition That The Contents Will Not Be Disclosed Or Used Without MicroMetl's Written Consent. MicroMetl Reserves The Right To Discontinue, Or Change At Any Time, Specifications & Designs Without Any Notice Incurring Obligations.

Master Revision: 0001B

Page Revision: 0001B