 MicroMetl	DATE: 03/2020	WEIGHT (LBS): 16	DESCRIPTION: ADAPTER KIT FOR 0570 SERIES	PART NUMBER: ADPT-0570-SD -W	
	SUBMITTED TO:	COMPANY:	JOB NAME:		APPROVED BY:
EXISTING UNIT:			NEW UNIT:		

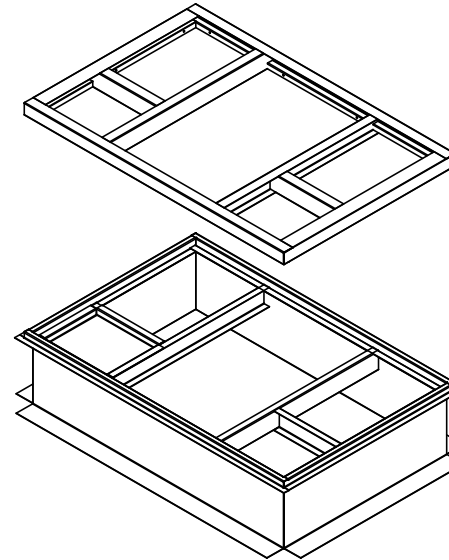
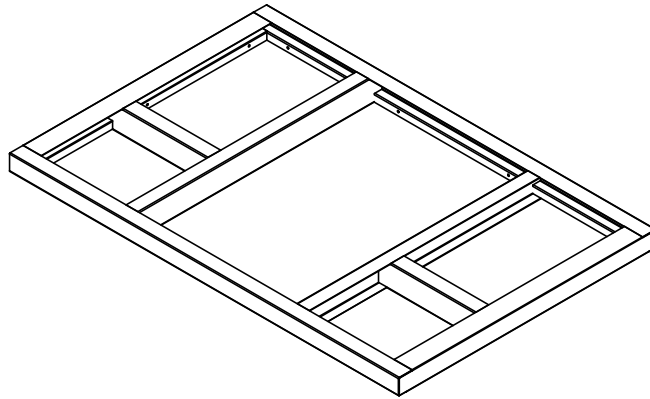
CURB ADAPTER INFORMATION:

1. BEFORE ORDERING CURB ADAPTER, CONTRACTOR MUST CONFIRM THE DIMENSIONS OF THE EXISTING CURB ON THIS DRAWING

2. BEFORE NEW HVAC UNIT IS SET IN PLACE, INSPECT STRUCTURAL STABILITY OF EXISTING CURB AND BUILDING'S ROOF LOAD CAPABILITY. REINFORCE IF REQUIRED.

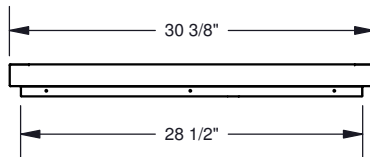
3. ALL CURB ADAPTERS WILL INCREASE THE SYSTEM'S EXTERNAL STATIC PRESSURE AND MUST BE INCLUDED WHEN CALCULATING UNIT REQUIREMENTS

- FEATURES:**
- FULLY WELDED HEAVY GAUGE CONSTRUCTION
 - TRANSITIONS INCLUDED
 - FULL INTERNAL INSULATION
 - GASKET PACKAGE INCLUDED

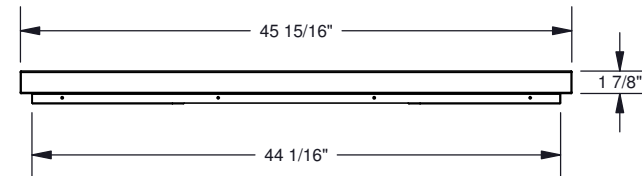


ADPT-0570-SD-W

MicroMetl 0570 series curb
or CPRFCURB006A00
or CPRFCURB007A00



ADAPTER END VIEW



ADAPTER SIDE VIEW

NOTES:

THIS DOCUMENT IS THE PROPERTY OF MICROMETL CORPORATION AND IS DELIVERED UPON THE EXPRESS CONDITION THAT THE CONTENTS WILL NOT BE DISCLOSED OR USED WITHOUT MICROMETL'S WRITTEN CONSENT. MANUFACTURER RESERVES THE RIGHT TO DISCONTINUE, OR CHANGE AT ANYTIME, SPECIFICATIONS & DESIGNS WITHOUT ANY NOTICE AND WITHOUT INCURRING OBLIGATIONS. COPYRIGHT MICROMETL CORPORATION 2017. ALL RIGHTS RESERVED