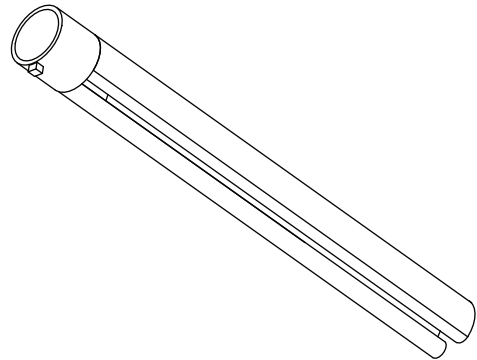


SAMPLING TUBES STARTER KIT

Provided with every duct smoke detector package

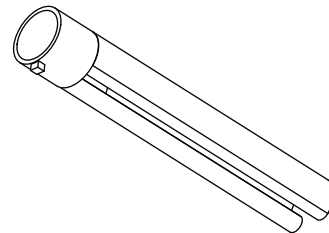
BLUE CAP

Exhaust tube:
to be installed
downstream of
airflow - do not
insert red stopper



RED CAP

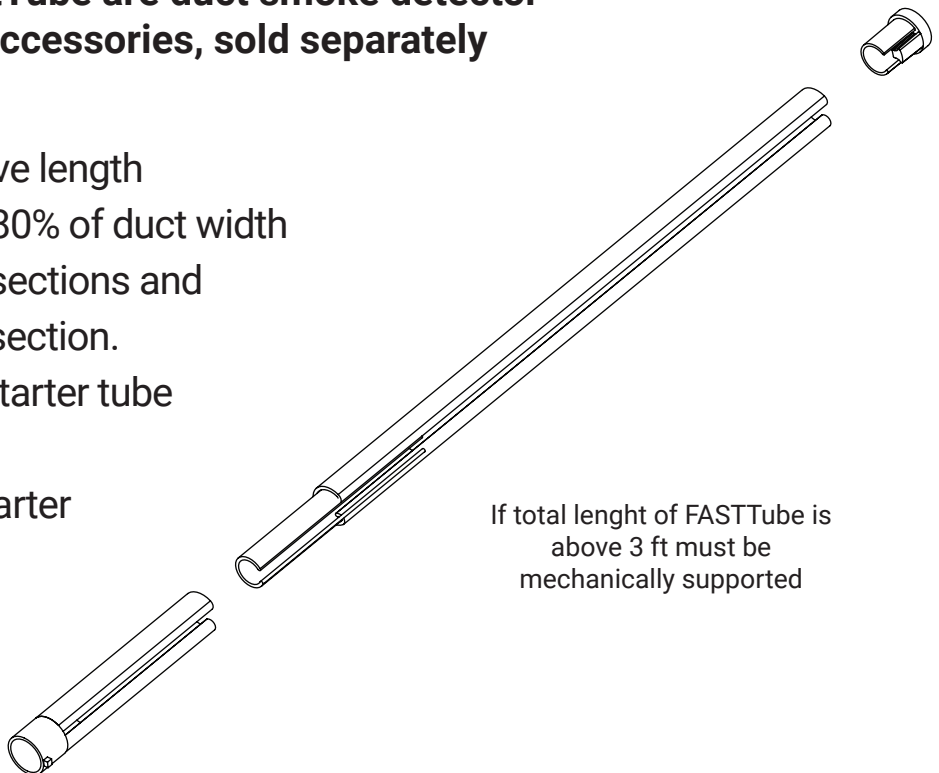
FastTube
starter piece



FASTTube ASSEMBLY

FastTube are duct smoke detector
accessories, sold separately

1. Trim sections to achieve length corresponding to min 80% of duct width
2. Assemble up to three sections and insert red cap to end-section.
3. Affix FastTube to the starter tube provided with detector.
4. Ensure arrow inside starter tube's red cap points into airflow



If total length of FASTTube is
above 3 ft must be
mechanically supported