

575C--B

Legacy™ 13.4 SEER2 Single-Packaged Air Conditioner and Gas Furnace System with Puron Advance™ (R-454B) Refrigerant Single Phase 2-5 Nominal Tons (Sizes 24-60)



Product Data

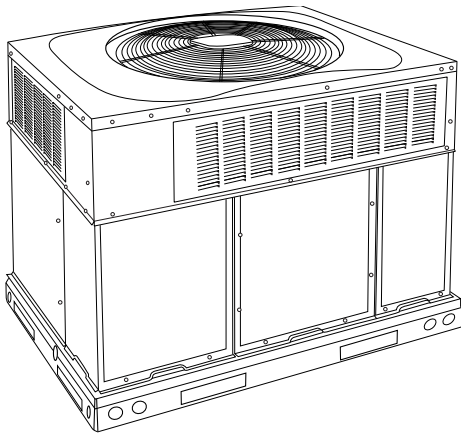


Fig. 1 – Unit 575C
(Low NOx Model Available)

A09033

Single-Packaged Products with Energy-Saving Features and R-454B Puron Advance™ refrigerant.

- 13.4 SEER2
- 11.05 EER2
- 81.0% AFUE
- ECM Motor-Standard
- Direct Spark Ignition
- Low Sound Levels
- Dehumidification Feature
- Dense Wire Condenser Coil Guard-Standard
- Cabinet air leakage of 2.0% or less at .5 in. W.C. when tested in accordance with ASHRAE standard 193.
- Refrigerant leak detection dissipation system for added safety
- Maximum allowed elevation is 10,000 ft (3,048m) above sea level

Features/Benefits

One-piece heating and cooling units with low sound levels, easy installation, low maintenance, and dependable performance.

Puron Advance is Bryant's latest choice of Refrigerant to help meet the 2025 GWP requirement. This unit is designed and tested with Puron Advance and contains a dissipation system.

Easy Installation

Factory-assembled package is a compact, fully self-contained, combination gas heating/electric cooling unit that is prewired, pre-piped, and pre-charged for minimum installation expense. These units are available in a variety of standard and optional heating/ cooling size combinations with voltage options to meet residential and light commercial requirements. Units are lightweight and install easily on a rooftop or at ground level. The high tech composite base eliminates rust problems associated with ground level applications.

Innovative Unit Base Design

On the inside a high-tech composite material will not rust and incorporates a sloped drain pan which improves drainage and helps inhibit mold, algae and bacterial growth. On the outside metal base rails provide added stability as well as easier handling and rigging.

Convertible duct configuration

Unit is designed for use in either downflow or horizontal applications. Each unit is converted from horizontal to downflow and includes two horizontal duct covers. Downflow operation is provided in the field to allow vertical ductwork connections. The basepan seals on the bottom openings to ensure a positive seal in the vertical airflow mode.

Efficient operation High-efficiency design offers SEER2 (Seasonal Energy Efficiency Ratios) of 13.4, 11.05 EER2, and AFUE (Annual Fuel Utilization Efficiency) ratings of 81.0%.

Energy-saving, direct spark ignition saves gas by operating only when the room thermostat calls for heating. Standard units are furnished with natural gas controls. A low-cost field installed kit for propane conversion is available for all units.

Low NOx units meet 40 ng/J NOx emissions. Can be installed in air quality management districts with a 40 ng/J NOx emissions requirement.

Durable, dependable components

Monoport inshot burners produce precise air-to-gas mixture, which provides for clean and efficient combustion. The large monoport on the inshot (or injection type) burners seldom, if ever, requires cleaning. All gas furnace components are accessible in one compartment.

Turbo-tubular™ heat exchangers are constructed of stainless steel for corrosion resistance and optimum heat transfer for improved efficiency. The tubular design permits hot gases to make multiple passes across the path of the supply air.

In addition, dimples located on the heat exchanger walls force the hot gases to stay in close contact with the walls, improving heat transfer.

ECM Motor is standard on all models.

Direct-drive PSC (Permanent Split Capacitor) condenser-fan motors are designed to help reduce energy consumption and provide for cooling operation down to 40°F (4.4°C) outdoor temperature. Motormaster® II low ambient kit is available as a field-installed accessory.

Thermostat controls

Time Guard® II anti-short cycle protection circuitry. If a non-corporate thermostat without anti-short cycle protection is used the Time Guard II field-installed anti-short cycle kit is recommended.

Refrigerant system is designed to provide dependability. Liquid filter driers are used to promote clean, unrestricted operation. Each unit leaves the factory with non-ozone depleting and low global warming potential Puron Advance (R-454B) refrigerant charge. Refrigerant service connections make checking operating pressures easier. Factory-installed leak detection dissipation system for added safety.

High Pressure Switch provides added reliability for the compressor.

Indoor and Outdoor coils are computer-designed for optimum heat transfer and efficiency. The indoor coil is fabricated from aluminum tube and aluminum fins and is located inside the unit for protection against damage. The outdoor coil is internally mounted on the top tier of the unit.

Low sound ratings ensure a quiet indoor and outdoor environment with sound ratings as low as 69.0 dBA.

Easy to service cabinets provide easy 3-panel accessibility to serviceable components during maintenance and installation. The basepan with integrated drain pan provides easy ground level installation with mounting pad. A nesting feature ensures a positive basepan to roof curb seal when the unit is roof mounted. A convenient 3/4-in. (19.05 mm) wide perimeter flange makes frame mounting on a rooftop easy.

Standard horizontal metal duct covers with insulation come with the unit and cover the horizontal duct openings. These can be left in place if the units are converted to downflow.

Integrated Gas Control (IGC) board provides safe and efficient control of heating and simplifies trouble-shooting through its built-in diagnostic function.

Cabinets are constructed of heavyduty, phosphated, zinc-coated prepainted steel capable of withstanding 500 hours in salt spray. Interior surfaces of the evaporator/heat exchanger compartment are insulated with cleanable semi-rigid insulation board, which keeps the conditioned air from being affected by the outdoor ambient temperature and provides improved indoor air quality. (Conforms to American Society of Heating, Refrigeration and Air Conditioning Engineers 62.2.) The sloped drain pan minimizes standing water in the drain. An external drain is provided.

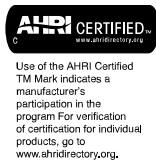
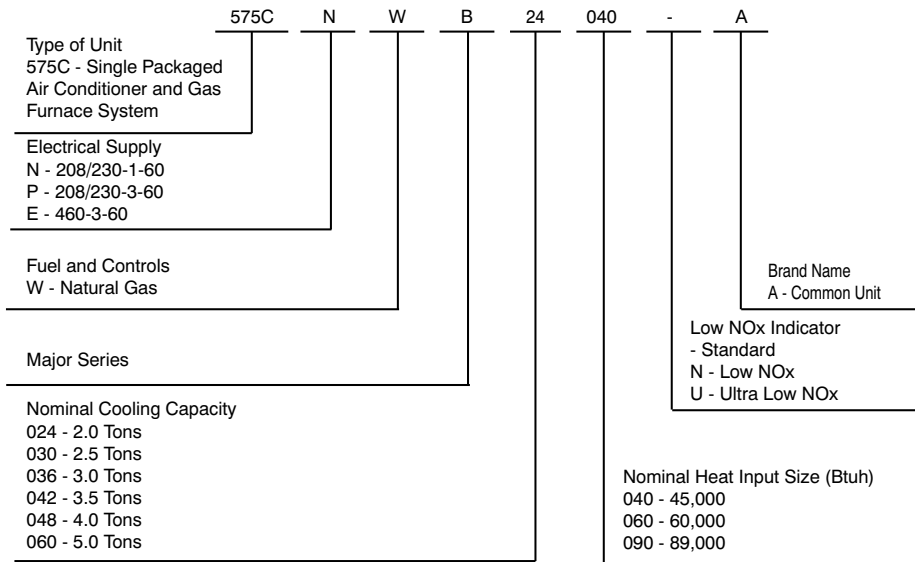
Limited Warranty*

- Default 5-year parts limited warranty
 - 10-year parts limited warranty with timely registration. Equipment must be registered within 90 days of original installation, except in jurisdictions where warranty benefits cannot be conditioned on registration.
- * Applies to original purchaser/homeowner and 5 years to subsequent owners.
- Default 5-year on compressor limited warranty
 - 10-year on compressor limited warranty with timely registration. Equipment must be registered within 90 days of original installation, except in jurisdictions where warranty benefits cannot be conditioned on registration.
- * Applies to original purchaser/homeowner and 5 years to subsequent owners.
- Default 20-year stainless steel heat exchanger limited warranty
 - Life stainless steel limited warranty with timely registration. Equipment must be registered within 90 days of original installation, except in jurisdictions where warranty benefits cannot be conditioned on registration.
- * Applies to original purchaser/homeowner and 5 years to subsequent owners. See warranty certificate for complete details and restrictions.

Table of Contents

| | |
|--|----|
| Features/Benefits | 1 |
| Model Number Nomenclature | 3 |
| AHRI Capacities | 5 |
| Accessories | 8 |
| Unit Dimensions | 10 |
| Performance Data | 14 |
| Application Data | 29 |
| Electrical Data | 30 |
| Connection Wiring Schematic 208/230-1-60 | 31 |
| Connection Wiring Schematic 208/230-3-60 | 33 |
| Connection Wiring Schematic 460-3-60 | 35 |
| Controls | 37 |
| Guide Specifications | 38 |

Model Number Nomenclature



For California Residents:

This furnace does not comply with SCAQMD Rule 1111, SJVAPCD Rule 4905, or BAAQMD 9-4, which places a NOx emission limit of 14 ng/J. Therefore, this unit is not eligible to be installed in the South Coast Air Quality Management District (SCAQMD), San Joaquin Valley Air Pollution Control District (SJVAPCD), or Bay Area Air Quality Management District (BAAQMD).

| SAP ORDERING NO. | NOMINAL COOLING CAPACITY (Btuh) | NOMINAL HEATING INPUT (Btuh) | VOLTS-PHASE (60 HZ) | APPROX SHIP WT (LB) |
|------------------|------------------------------------|------------------------------|------------------------|------------------------|
| 575CNWB24040 | 24,000 | 40,000 | 208/230-1 | 339 |
| 575CNWB24060 | 24,000 | 60,000 | 208/230-1 | 339 |
| 575CNWB30040 | 30,000 | 40,000 | 208/230-1 | 348 |
| 575CNWB30060 | 30,000 | 60,000 | 208/230-1 | 348 |
| 575CNWB36060 | 36,000 | 60,000 | 208/230-1 | 410 |
| 575CPWB36060 | 36,000 | 60,000 | 208/230-3 | 410 |
| 575CEWB36060 | 36,000 | 60,000 | 460-3 | 410 |
| 575CNWB36090 | 36,000 | 90,000 | 208/230-1 | 410 |
| 575CPWB36090 | 36,000 | 90,000 | 208/230-3 | 410 |
| 575CEWB36090 | 36,000 | 90,000 | 460-3 | 410 |
| 575CNWB42060 | 42,000 | 60,000 | 208/230-1 | 438 |
| 575CPWB42060 | 42,000 | 60,000 | 208/230-3 | 438 |
| 575CEWB42060 | 42,000 | 60,000 | 460-3 | 438 |
| 575CNWB42090 | 42,000 | 90,000 | 208/230-1 | 438 |
| 575CPWB42090 | 42,000 | 90,000 | 208/230-3 | 438 |
| 575CEWB42090 | 42,000 | 90,000 | 460-3 | 438 |
| 575CNWB48090 | 48,000 | 90,000 | 208/230-1 | 491 |
| 575CPWB48090 | 48,000 | 90,000 | 208/230-3 | 491 |
| 575CEWB48090 | 48,000 | 90,000 | 460-3 | 491 |
| 575CNWB48115 | 48,000 | 115,000 | 208/230-1 | 491 |
| 575CPWB48115 | 48,000 | 115,000 | 208/230-3 | 491 |
| 575CEWB48115 | 48,000 | 115,000 | 460-3 | 491 |
| 575CNWB48130 | 48,000 | 127,000 | 208/230-1 | 491 |
| 575CPWB48130 | 48,000 | 127,000 | 208/230-3 | 491 |
| 575CEWB48130 | 48,000 | 127,000 | 460-3 | 491 |
| 575CNWB60090 | 60,000 | 90,000 | 208/230-1 | 496 |
| 575CPWB60090 | 60,000 | 90,000 | 208/230-3 | 496 |
| 575CEWB60090 | 60,000 | 90,000 | 460-3 | 496 |
| 575CNWB60115 | 60,000 | 115,000 | 208/230-1 | 496 |
| 575CPWB60115 | 60,000 | 115,000 | 208/230-3 | 496 |
| 575CEWB60115 | 60,000 | 115,000 | 460-3 | 496 |
| 575CNWB60130 | 60,000 | 127,000 | 208/230-1 | 496 |
| 575CPWB60130 | 60,000 | 127,000 | 208/230-3 | 496 |
| 575CEWB60130 | 60,000 | 127,000 | 460-3 | 496 |
| Low NOx | | | | |
| 575CNWB24040N | 24,000 | 40,000 | 208/230-1 | 339 |
| 575CNWB24060N | 24,000 | 60,000 | 208/230-1 | 339 |
| 575CNWB30040N | 30,000 | 40,000 | 208/230-1 | 348 |
| 575CNWB30060N | 30,000 | 60,000 | 208/230-1 | 348 |
| 575CNWB36060N | 36,000 | 60,000 | 208/230-1 | 410 |
| 575CPWB36060N | 36,000 | 60,000 | 208/230-3 | 410 |
| 575CEWB36060N | 36,000 | 60,000 | 460-3 | 410 |
| 575CNWB36090N | 36,000 | 90,000 | 208/230-1 | 410 |
| 575CPWB36090N | 36,000 | 90,000 | 208/230-3 | 410 |
| 575CEWB36090N | 36,000 | 90,000 | 460-3 | 410 |
| 575CNWB42060N | 42,000 | 60,000 | 208/230-1 | 438 |
| 575CPWB42060N | 42,000 | 60,000 | 208/230-3 | 438 |
| 575CEWB42060N | 42,000 | 60,000 | 460-3 | 438 |
| 575CNWB42090N | 42,000 | 90,000 | 208/230-1 | 438 |
| 575CPWB42090N | 42,000 | 90,000 | 208/230-3 | 438 |
| 575CEWB42090N | 42,000 | 90,000 | 460-3 | 438 |
| 575CNWB48090N | 48,000 | 90,000 | 208/230-1 | 491 |
| 575CPWB48090N | 48,000 | 90,000 | 208/230-3 | 491 |
| 575CEWB48090N | 48,000 | 90,000 | 460-3 | 491 |
| 575CNWB48115N | 48,000 | 115,000 | 208/230-1 | 491 |
| 575CPWB48115N | 48,000 | 115,000 | 208/230-3 | 491 |
| 575CEWB48115N | 48,000 | 115,000 | 460-3 | 491 |
| 575CNWB48130N | 48,000 | 127,000 | 208/230-1 | 491 |
| 575CPWB48130N | 48,000 | 127,000 | 208/230-3 | 491 |
| 575CEWB48130N | 48,000 | 127,000 | 460-3 | 491 |
| 575CNWB60090N | 60,000 | 90,000 | 208/230-1 | 496 |
| 575CPWB60090N | 60,000 | 90,000 | 208/230-3 | 496 |
| 575CEWB60090N | 60,000 | 90,000 | 460-3 | 496 |
| 575CNWB60115N | 60,000 | 115,000 | 208/230-1 | 496 |
| 575CPWB60115N | 60,000 | 115,000 | 208/230-3 | 496 |
| 575CEWB60115N | 60,000 | 115,000 | 460-3 | 496 |
| 575CNWB60130N | 60,000 | 127,000 | 208/230-1 | 496 |
| 575CPWB60130N | 60,000 | 127,000 | 208/230-3 | 496 |
| 575CEWB60130N | 60,000 | 127,000 | 460-3 | 496 |

AHRI* Capacities

Cooling Capacities and Efficiencies

| UNIT SIZE | NOMINAL TONS | STANDARD CFM | COOLING CAPACITY (BTUH)† | EER2‡ | SEER2** |
|-----------|--------------|--------------|--------------------------|-------|---------|
| 24 | 2 | 750 | 23200 | 11.05 | 13.4 |
| 30 | 2.5 | 950 | 28800 | 11.05 | 13.4 |
| 36 | 3 | 1150 | 34400 | 11.05 | 13.4 |
| 42 | 3.5 | 1350 | 40000 | 11.05 | 13.4 |
| 48 | 4 | 1600 | 46000 | 11.05 | 13.4 |
| 60 | 5 | 1750 | 56000 | 11.05 | 13.4 |

* Air Conditioning, Heating & Refrigeration Institute.

† Rated in accordance with U.S. Government DOE Department of Energy) test procedures and/or AHRI Standards 210/240.

‡ At "A" conditions-80°F (26.7°C) indoor db/67°F (19.4°C) indoor wb & 95°F (35°C) outdoor db.

** Rated in accordance with AHRI Standard 270.

Notes:

1. Ratings are net values, reflecting the effects of circulating fan heat.

Ratings are based on:

Cooling Standard: 80°F (26.7°C) db, 67°F wb (19.4°C) indoor entering-air temperature and 95°F db (35°C) outdoor entering-air temperature.

2. Before purchasing this appliance, read important energy cost and efficiency information available from your retailer.

LEGEND

dB—Sound Levels (decibels)

db—Dry Bulb

SEER2—Seasonal Energy Efficiency Ratio

wb—Wet Bulb

COP—Coefficient of Performance

Gas Heating Capacities and Efficiencies

| UNIT SIZE | HEATING INPUT (Btuh) | OUTPUT CAPACITY (Btuh) | TEMPERATURE RISE RANGE °F (°C) | AFUE (%) |
|----------------------------------|----------------------|--------------------------------------|--------------------------------|----------|
| 24040 30040 | 40,000 | 33,000 | 25-55 (14-31) | 81.0 |
| 24060 30060 36060 42060 | 60,000 | 49,000 | 25-55 (14-31) | 81.0 |
| 36090 42090 48090 60090 | 90,000 | 73,000 74,000 74,000 74,000 | 35-65 (19-36) | 81.0 |
| 48115 60115 | 115,000 | 94,000 | 30-60 (17-33) | 81.0 |
| 48130 60130 | 127,000 | 104,000 | 35-65 (19-36) | 81.0 |

LEGEND

AFUE—Annual Fuel Utilization Efficiency

NOTE: Before purchasing this appliance, read important energy cost and efficiency information available from your retailer.

A-Weighted Sound Power Level

| UNIT SIZE | STANDARD RATING (dBA) | TYPICAL OCTAVE BAND SPECTRUM (dBA without tone adjustment) | | | | | | |
|-----------|-----------------------|--|-----|-----|------|------|------|------|
| | | 125 | 250 | 500 | 1000 | 2000 | 4000 | 8000 |
| 24 | 69 | 59 | 62 | 63 | 63 | 61 | 57 | 53 |
| 30 | 73 | 59 | 63 | 67 | 70 | 64 | 60 | 56 |
| 36 | 75 | 66 | 69 | 71 | 67 | 64 | 60 | 55 |
| 42 | 74 | 60 | 63 | 68 | 70 | 65 | 60 | 55 |
| 48 | 75 | 61 | 64 | 68 | 71 | 66 | 64 | 58 |
| 60 | 75 | 61 | 66 | 71 | 67 | 65 | 61 | 54 |

NOTE: Tested in compliance with AHRI 270 but not listed with AHRI.

Physical Data

| UNIT SIZE | 24040 | 24060 | 30040 | 30060 | 36060 | 36090 | 42060 | 42090 |
|---|------------------------------|------------|-------------|------------|---|------------|---|------------|
| NOMINAL CAPACITY (ton) | 2 | 2 | 2-1/2 | 2-1/2 | 3 | 3 | 3-1/2 | 3-1/2 |
| SHIPPING WEIGHT lb. | 339 | 339 | 348 | 348 | 410 | 410 | 438 | 438 |
| SHIPPING WEIGHT (kg) | 154 | 154 | 158 | 158 | 186 | 186 | 199 | 199 |
| COMPRESSOR / QUANTITY | Scroll / 1 | | | | | | | |
| REFRIGERANT (R-454B) | | | | | | | | |
| Quantity lb. | 4.25 | | 4.85 | | 6.25 | | 5.25 | |
| Quantity (kg) | 1.9 | | 2.2 | | 2.8 | | 2.4 | |
| REFRIGERANT METERING DEVICE | Orifice | | | | | | | |
| MINIMUM CONDITIONED SPACE AREA (sq. ft.) | 76 | | 76 | | 106 | | 91 | |
| ORIFICE ID in. / mm | .055 / 1.40 | | .061 / 1.55 | | .065 / 1.65 | | .070 / 1.78 | |
| OUTDOOR COIL | | | | | | | | |
| Rows...Fins/in. | 1...21 | 1...21 | 1...21 | 1...21 | 1...21 | 1...21 | 1...21 | 1...21 |
| Face Area (sq ft) | 11.9 | 11.9 | 13.6 | 13.6 | 13.6 | 13.6 | 13.6 | 13.6 |
| OUTDOOR FAN | | | | | | | | |
| Nominal CFM | 2500 | 2500 | 3200 | 3200 | 3500 | 3500 | 3500 | 3500 |
| Diameter in. | 24 | 24 | 24 | 24 | 26 | 24 | 26 | 26 |
| Diameter (mm) | 609.6 | 609.6 | 609.6 | 609.6 | 660.4 | 609.6 | 660.4 | 660.4 |
| Motor Hp (Rpm) | 1/12 (810) | 1/12 (810) | 1/5 (810) | 1/5 (810) | 1/2 (810) | 1/2 (810) | 3/4 (810) | 3/4 (810) |
| INDOOR COIL | | | | | | | | |
| Rows...Fins/in. | 3...17 | 3...17 | 3...17 | 3...17 | 2...17 | 2...17 | 3...17 | 3...17 |
| Face Area (sq ft) | 3.7 | 3.7 | 3.7 | 3.7 | 5.6 | 5.6 | 4.7 | 4.7 |
| INDOOR BLOWER | | | | | | | | |
| Required Minimum Dissipation Airflow (CFM) | 133 | 133 | 133 | 133 | 186 | 186 | 160 | 160 |
| Nominal Cooling Airflow (CFM) | 750 | 750 | 950 | 950 | 1150 | 1150 | 1350 | 1350 |
| Size in. | 10x10 | 10x10 | 10x10 | 10x10 | 11x10 | 11x10 | 11x10 | 11x10 |
| Size (mm.) | 254x254 | 254x254 | 254x254 | 254x254 | 279.4x254 | 279.4x254 | 279.4x254 | 279.4x254 |
| Motor HP (RPM) | 1/2 (1050) | 1/2 (1050) | 1/2 (1050) | 1/2 (1050) | 3/4 (1000) | 3/4 (1000) | 1/2 (1050) | 1/2 (1050) |
| FURNACE SECTION* | | | | | | | | |
| Burner Orifice No. (Qty...Drill Size) | | | | | | | | |
| Natural Gas (Factory Installed) | 2...44 | 3...44 | 2...44 | 3...44 | 3...44 | 3...38 | 3...44 | 3...38 |
| Propane Gas | 2...55 | 3...55 | 2...55 | 3...55 | 3...55 | 3...53 | 3...55 | 3...53 |
| HIGH-PRESSURE SWITCH (psig) Cut-out Reset (Auto) | 650 +/- 15 420 +/- 25 | | | | | | | |
| LOSS-OF-CHARGE / LOW-PRESSURE SWITCH (Liquid Line) (psig) cut-out Reset (auto) | NA | | | | | | | |
| RETURN-AIR FILTERS† ‡ | | | | | | | | |
| Throwaway Size in. (mm) | 2 each 20x12x1 508x305x25 | | | | 1 each 24x16x1 610x406x25 24x18x1 610x457x25 | | 1 each 24x14x1 610x356x25 24x16x1 610x406x25 | |

*. Based on altitude of 0 to 2000 ft (0-610 m).

†. Required filter sizes shown are based on the larger of the AHRI (Air Conditioning Heating and Refrigeration Institute) rated cooling airflow or the heating airflow velocity of 300 to 350 ft/minute for throwaway type. Air filter pressure drop for non-standard filters must not exceed 0.08 IN. W.C.

‡. If using accessory filter rack refer to the filter rack installation instructions for correct filter sizes and quantity

Physical Data (Continued)

| UNIT SIZE | 48090 | 48115 | 48130 | 60090 | 60115 | 60130 |
|---|---|------------|------------|------------|------------|------------|
| NOMINAL CAPACITY (ton) | 4 | 4 | 4 | 5 | 5 | 5 |
| SHIPPING WEIGHT lb | 491 | 491 | 491 | 496 | 496 | 496 |
| SHIPPING WEIGHT kg | 223 | 223 | 223 | 225 | 225 | 225 |
| COMPRESSOR / QUANTITY | Scroll / 1 | | | | | |
| REFRIGERANT (R-454B) | | | | | | |
| Quantity lb | 6.55 | | | 8.5 | | |
| Quantity (kg.) | 3.0 | | | 3.9 | | |
| MINIMUM CONDITIONED SPACE AREA (sq. ft.) | 106 | | | 137 | | |
| REFRIGERANT METERING DEVICE | Orifice | | | TXV | | |
| ORIFICE ID in./mm | .078 / 1.98 | | | N/A | | |
| OUTDOOR COIL | | | | | | |
| Rows...Fins/in. | 1...21 | 1...21 | 1...21 | 2...21 | 2...21 | 2...21 |
| Face Area (sq ft) | 21.4 | 21.4 | 21.4 | 17.5 | 17.5 | 17.5 |
| OUTDOOR FAN | | | | | | |
| Nominal CFM | 3500 | 3500 | 3500 | 3500 | 3500 | 3500 |
| Diameter in. | 26 | 26 | 26 | 26 | 26 | 26 |
| Diameter (mm) | 660.4 | 660.4 | 660.4 | 660.4 | 660.4 | 660.4 |
| Motor Hp (Rpm) | 1/5 (810) | 1/5 (810) | 1/5 (810) | 1/5 (810) | 1/5 (810) | 1/5 (810) |
| INDOOR COIL | | | | | | |
| Rows...Fins/in. | 3...17 | 3...17 | 3...17 | 3...17 | 3...17 | 3...17 |
| Face Area (sq ft) | 5.6 | 5.6 | 5.6 | 5.6 | 5.6 | 5.6 |
| INDOOR BLOWER | | | | | | |
| Required Minimum Dissipation Airflow (CFM) | 186 | 186 | 186 | 239 | 239 | 239 |
| Nominal Cooling Airflow (CFM) | 1600 | 1600 | 1600 | 1750 | 1750 | 1750 |
| Size in. | 11x10 | 11x10 | 11x10 | 11x10 | 11x10 | 11x10 |
| Size (mm) | 279.4x254 | 279.4x254 | 279.4x254 | 279.4x254 | 279.4x254 | 279.4x254 |
| Motor HP (RPM) | 1.0 (1075) | 1.0 (1075) | 1.0 (1075) | 1.0 (1040) | 1.0 (1040) | 1.0 (1040) |
| FURNACE SECTION* | | | | | | |
| Burner Orifice No. (Qty...Drill Size) | | | | | | |
| Natural Gas (Factory Installed) | 3...38 | 3...33 | 3...31 | 3...31 | 3...31 | 3...31 |
| Propane Gas | 3...53 | 3...51 | 3...49 | 3...49 | 3...49 | 3...49 |
| HIGH-PRESSURE SWITCH (psig) Cut-out Reset (Auto) | 650 +/- 15 420 +/- 25 | | | | | |
| LOSS-OF CHARGE / LOW-PRESSURE SWITCH (Liquid Line) (psig) cut-out Reset (auto) | N/A | | | | | |
| RETURN-AIR FILTERS Throwaway† ‡in. mm | 1 each 24x16x1 610x406x25 24x18x1 610x457x25 | | | | | |

*. Based on altitude of 0 to 2000 ft (0-610 m).

†. Required filter sizes shown are based on the larger of the AHRI (Air Conditioning Heating and Refrigeration Institute) rated cooling airflow or the heating airflow velocity of 300 to 350 ft/minute for throwaway type. Air filter pressure drop for non-standard filters must not exceed 0.08 IN. W.C.

‡. If using accessory filter rack refer to the filter rack installation instructions for correct filter sizes and quantity.

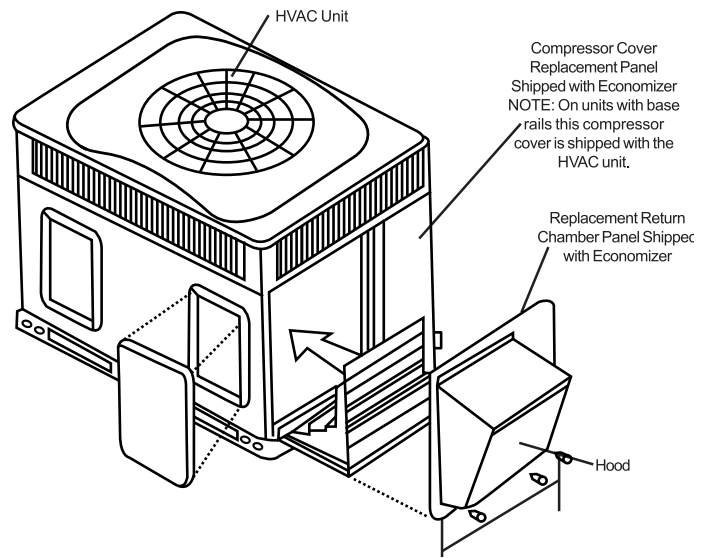
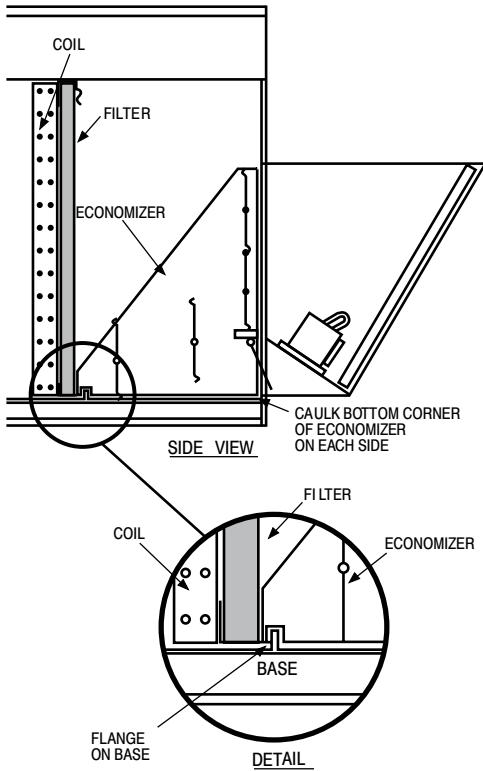
Accessories

| Description | Accessory Model Number | Used With |
|---|-----------------------------|-------------------------------|
| Roof Curb, 14-in. High | CPRFCURB011B00 | 24-30 |
| | CPRFCURB013B00 | 36-60 |
| Adapter curb | CPADCURB001A00 | 24-30 |
| | CPADCURB002A00 | 36-60 |
| Gasket Kit for existing roof curb with new base rail unit | CPGSKTKIT001A00 | All |
| Economizer - Vertical, gear driven w/Filter Rack and 1-in. filter | CPECOMZR007B00 | 24-30 |
| | CPECOMZR008A00 | 42 |
| | CPECOMZR009A00 | 36, 48, 60 |
| Economizer - Horizontal w/Filter Rack and 1-in. filter | CPECOMZR010B00 | 24-30 |
| | CPECOMZR011B00 | 42 |
| | CPECOMZR012B00 | 36, 48, 60 |
| Outdoor Enthalpy Control | AXB078ENT [†] | All |
| Manual Outside Air Damper (Includes filter rack and 1-in. filter, same as CPFILTRK kit) | CPMANDPR007A00 | 24-30 |
| | CPMANDPR008A00 | 42 |
| | CPMANDPR009A00 | 36, 48, 60 |
| Internal Filter Rack (includes 1-in. filters) | CPFILTRK007A00 | 24-30 |
| | CPFILTRK008A00 | 42 |
| | CPFILTRK009A00 | 36, 48, 60 |
| 240V Crankcase Heater | CPCRKHTR008A00 | 24-36, 208/230-1 |
| | CPCRKHTR004A00 | 30 208/230-1, 42-60 208/230-1 |
| Low Ambient Control | CPLOWAMB001A00 | All |
| Five Minute Compressor Delay | NRTIMEGD001A00 | All |
| PTC Compressor Start Assist Kit | CPHSTART002A00 | All Single Phase |
| Natural to LP Conversion Kit (0 – 2000 ft) | CPLPCONV013C00 [†] | All (except Ultra Low NOx) |
| Natural to LP Conversion Kit (2001 – 6000 ft) | CPLPCONV014C00 [†] | All (except Ultra Low NOx) |
| LP to Natural Gas Conversion Kit (0 – 2000 ft) | CPNGCONV004C00 [†] | All (except Ultra Low NOx) |
| Flue Discharge Deflector Assembly | CPFLUEDS001A00 | All |
| Square to Round (1 set of 2, use with horizontal duct flanges only) | CPDUC FLG002A00 | 24-48 |
| Low Pressure Switch | CPLPSTL001A00 | 24-60 |

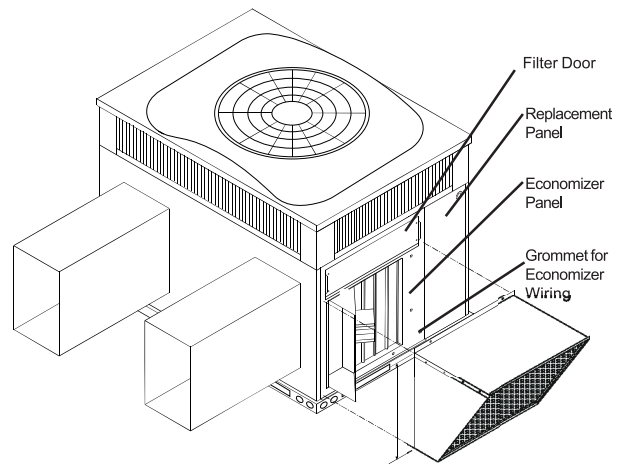
*. Outdoor enthalpy available as field installed accessory; Filter rack and 1-in. filter, same as CPFILTRK kit

†. Three phase models may use "A00", "B00" or "C00" versions.

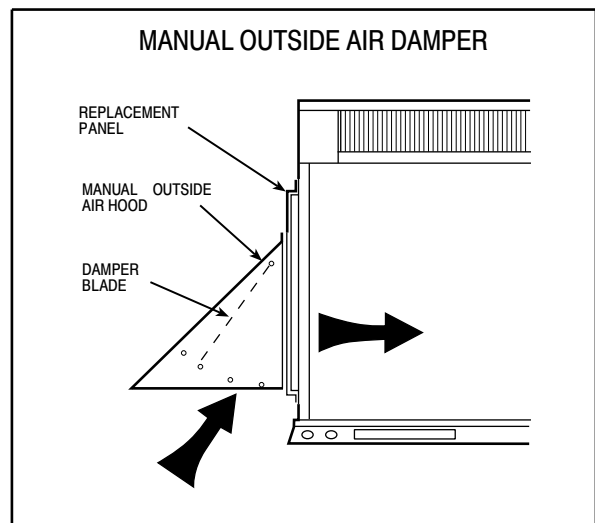
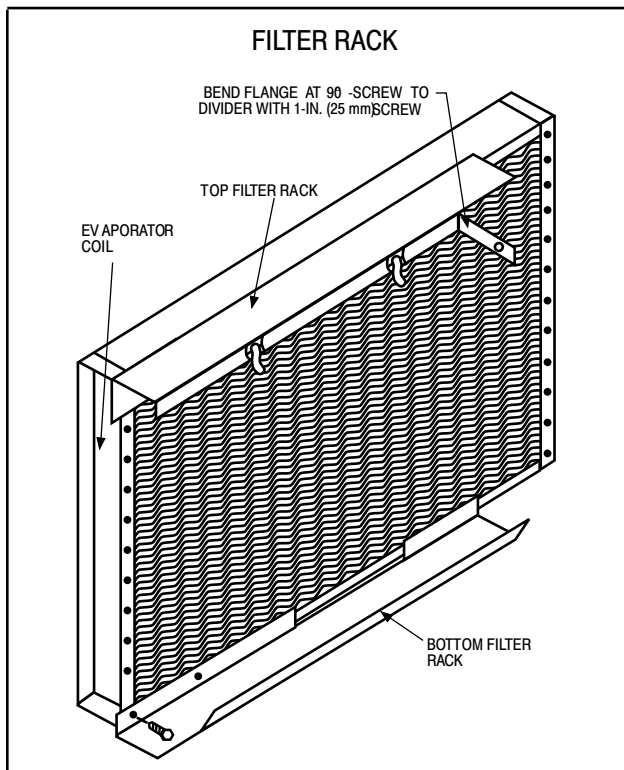
ECONOMIZER



Vertical Economizer



Horizontal Economizer



Unit Dimensions

24-30

| COOLING CAPACITY | UNIT WT. | | UNIT HEIGHT | | CENTER OF GRAVITY | |
|------------------|----------|-------|-------------|------|-------------------|-------|
| | IN | MM | IN | MM | IN | MM |
| 24 | 318.0 | 146.8 | 41.0 | 1041 | 23.8 | 578.4 |
| 30 | 327.0 | 152.9 | 43.0 | 1092 | 25.8 | 578.4 |

| CORNER WEIGHT | | CORNER HEIGHT | |
|---------------|------|---------------|-------|
| IN | MM | IN | MM |
| 24 | 49.0 | 22.3 | 565.0 |
| 30 | 51.0 | 22.9 | 571.0 |

REQUIRED CLEARANCES TO COMBUSTIBLE MATL.

INCHES (MM)

TOP OF UNIT..... 2 (50.8)

DUCT SIDE OF UNIT..... 2 (50.8)

SIDE OPPOSITE DUCTS..... 4 (101.6)

BOTTOM OF UNIT..... 0 (0)

ELECTRICAL PANEL..... 36 (914.4)

REC. REQUIRED CLEARANCES

INCHES (MM)

BETWEEN UNITS, POWER ENTRY SIDE..... 42 (1066.8)

UNIT AND UNGROUND SURFACES, POWER ENTRY SIDE..... 36 (914.0)

UNIT AND UNGROUND SURFACES, OTHER GROUND SURFACES, POWER ENTRY SIDE..... 42 (1066.8)

REQUIRED CLEARANCE FOR OPERATION AND SERVICE

INCHES (MM)

EMP. COIL ACCESS SIDE..... 36 (914.0)

REAR PANEL ACCESS SIDE (EXCEPT FOR REQUIREMENTS)..... 42 (1066.8)

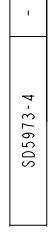
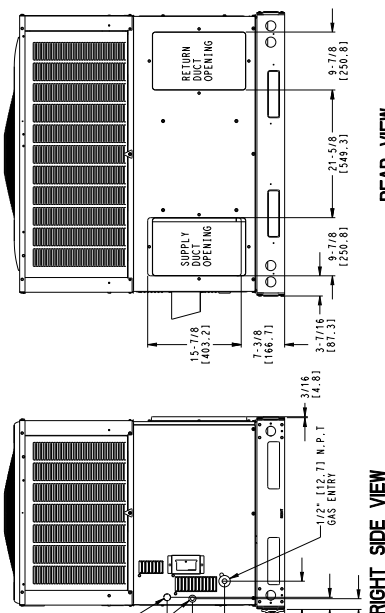
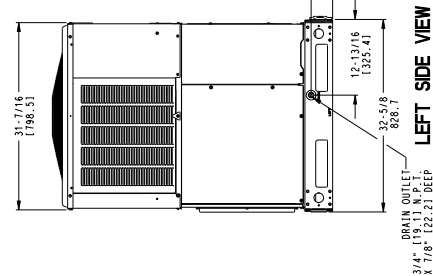
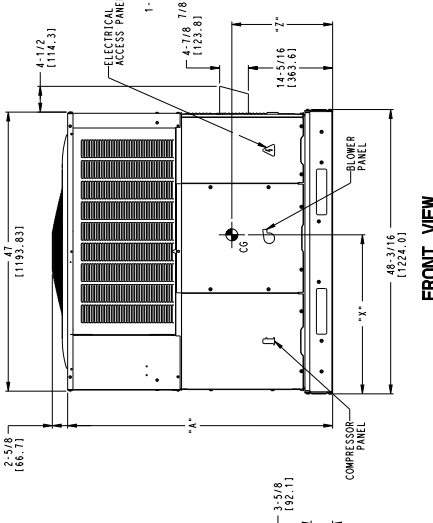
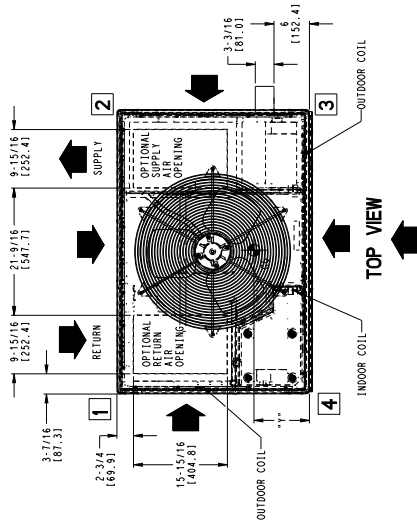
UNIT TOP..... 48 (1219.2)

SIDE OPPOSITE DUCTS..... 36 (914.0)

DUCT PANEL..... 12 (304.8)

MINIMUM DISTANCES: IF UNIT IS PLACED LESS THAN 12 (304.8) FROM WALL SYSTEM, THEN SYSTEM PERFORMANCE MAY BE COMPROMISED.

DIMENSIONS IN () ARE IN MILLIMETERS



SD5973-4

Unit Dimensions

36-60

| COOLING CAPACITY | UNIT WT. | | UNIT HEIGHT | | CENTER OF GRAVITY | | | | | |
|------------------|----------|-------|-------------|------|-------------------|-------|------|-------|------|-------|
| | LB. | KG. | "A" | "B" | "X" | "Y" | "Z" | "W" | | |
| 36 | 396.0 | 178.7 | 43.0 | 1082 | 22.8 | 519.4 | 18.0 | 451.2 | 17.1 | 435.0 |
| 42 | 424.0 | 192.4 | 43.0 | 1082 | 22.8 | 519.4 | 18.0 | 451.2 | 17.1 | 435.0 |
| 48 | 477.0 | 216.4 | 51.0 | 1285 | 22.8 | 519.4 | 18.0 | 451.2 | 17.6 | 447.7 |
| 60 | 482.0 | 218.7 | 47.0 | 1184 | 22.8 | 519.4 | 18.0 | 451.2 | 17.6 | 447.7 |

| UNIT | CORNER WEIGHT | | | |
|------|---------------|------|------|------|
| | "A" | "B" | "X" | "Y" |
| 36 | 99.0 | 37.0 | 19.0 | 33.9 |
| 42 | 84.0 | 28.8 | 16.5 | 27.0 |
| 48 | 72.0 | 26.0 | 14.5 | 24.8 |
| 60 | 72.0 | 26.0 | 14.5 | 24.8 |

REQUIRED CLEARANCES TO COMBUSTIBLE MATL.

INCHES (MM)

TOP OF UNIT.....14 (355.6)

SUCT. SIDE OF UNIT.....2 (50.8)

BOTTOM OF UNIT.....0 (0.0)

ELECTRICAL PANEL.....36 (914.4)

REQ. REQUIRED CLEARANCES

INCHES (MM)

BETWEEN UNITS, POWER ENTRY SIDE.....42 (1066.8)

UNIT AND BUCK OR CONCRETE WALLS AND OTHER GROUNDED SURFACES, POWER ENTRY SIDE.....42 (1066.8)

REQUIRED CLEARANCE FOR OPERATION AND SERVICE

INCHES (MM)

EVAP. COIL ACCESS SIDE.....36 (914.0)

POWER ENTRY SIDE (REQUIREMENTS).....42 (1066.8)

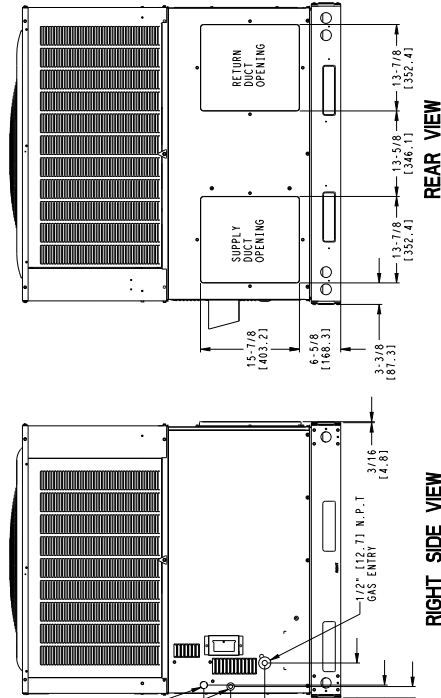
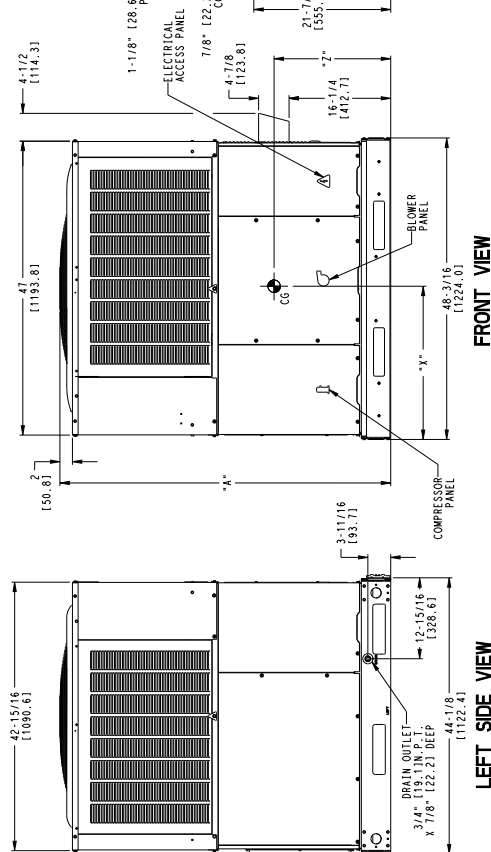
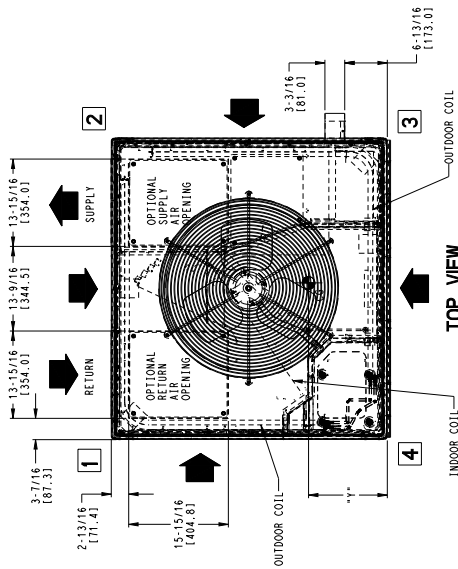
UNIT TOP (SEE "C" REQUIREMENTS).....48 (1219.2)

SIDE OPPOSITE DUCTS.....36 (914.0)

DUCT PANEL.....12 (304.8)

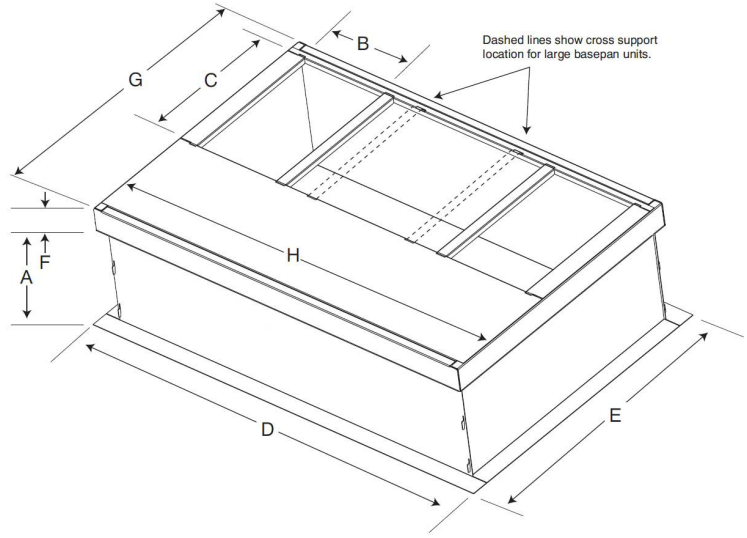
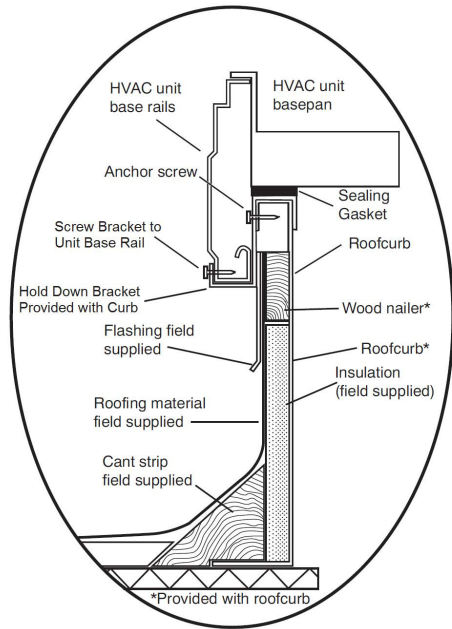
*MINIMUM DISTANCES: IF UNIT IS PLACED LESS THAN 12 (304.8) FROM WALL SYSTEM, THEN SYSTEM PERFORMANCE MAYBE COMPROMISED.

DIMENSIONS IN () ARE IN MILLIMETERS

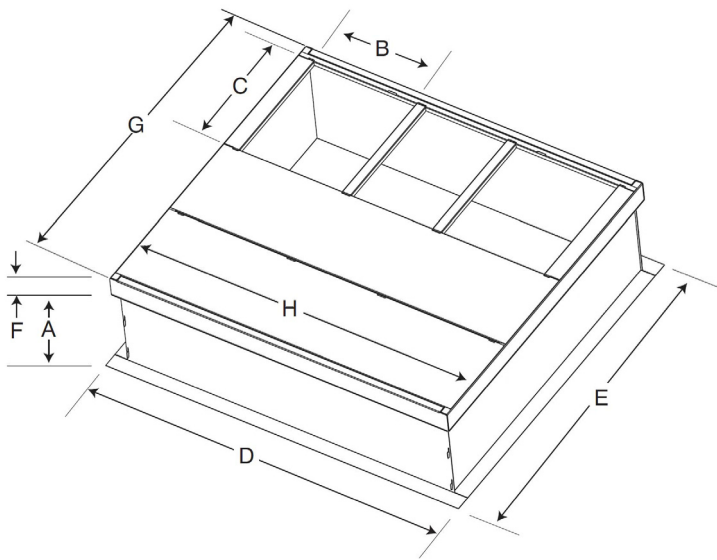


REAR VIEW

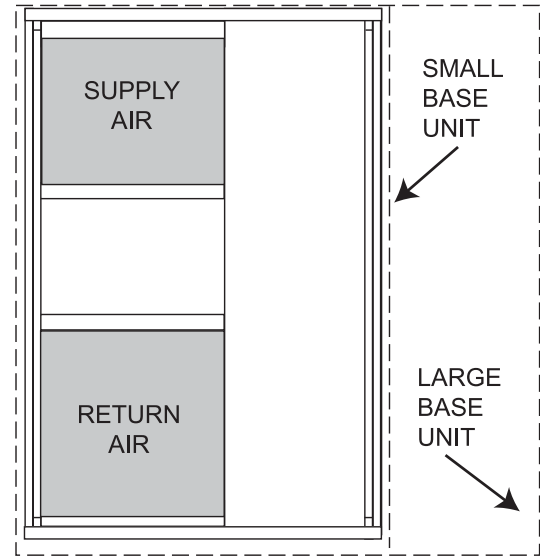
SD5973-4



SMALL/COMMON CURB



LARGE CURB



UNIT PLACEMENT ON COMMON CURB

SMALL OR LARGE BASE UNIT

A180216

Accessory Dimensions

| UNIT SIZE | CATALOG NUMBER | A IN. (mm) | B (small / common base) IN. (mm)* | B (large base) IN. (mm)* | C IN. (mm) | D IN. (mm) | E IN. (mm) | F IN. (mm) | G IN. (mm) | H IN. (mm) |
|----------------|----------------|------------|-----------------------------------|--------------------------|------------|-------------|-------------|------------|------------|-------------|
| Small or Large | CPRFCURB011B00 | 14 (356) | 10 (254) | 14 (356) | 16 (406) | 47.8 (1214) | 32.4 (822) | 2.7 (69) | 30.6 (778) | 46.1 (1170) |
| Large | CPRFCURB013B00 | 14 (356) | 14 (356) | | | | 43.9 (1116) | | | |

* Part Number CPRFCURB011B00 can be used on both small and large basepan units. The cross supports must be located based on whether the unit is a small basepan or a large basepan.

NOTES:

- Roof curb must be set up for unit being installed.
- Seal strip must be applied, as required, to unit being installed.
- Roof curb is made of 16-gauge steel.
- Attach ductwork to curb (flanges of duct rest on curb).
- Insulated panels: 1-in. (25.4 mm) thick fiberglass 1 lb. density.

Selection Procedure (With Example)

DETERMINE COOLING AND HEATING REQUIREMENTS AT DESIGN CONDITIONS:

Given:

| | |
|--|---------------------------------|
| Required Cooling Capacity (TC)..... | 46,000 Btuh |
| Sensible Heat Capacity (SHC)..... | 34,000 Btuh |
| Required Heating Capacity..... | 72,000 Btuh |
| Condenser Entering Air Temperature | 95°F (35°C) |
| Indoor-Air Temperature | 80°F (27°C) edb 67°F (19°C) ewb |
| Evaporator Air Quantity..... | 1600 CFM |
| External Static Pressure | 0.440 IN. W.C. |
| Electrical Characteristics | 208-1-60 |

SELECT UNIT BASED ON REQUIRED COOLING CAPACITY

Enter Performance Data table at condenser entering temperature of 95°F (35°C). Unit 48 at 1600 CFM and 67°F (19°C) ewb (entering wet bulb) will provide a total capacity of 46,000 Btuh and a SHC of 34,700 Btuh. Calculate SHC correction, if required, using Note 4 under Cooling Capacities tables.

SELECT ELECTRIC HEAT

In the Gas Heating Capacities and Efficiencies table, note that the 48090 unit will provide 74,000 Btuh with an input of 90,000 Btuh.

DETERMINE FAN SPEED AND POWER REQUIREMENTS AT DESIGN CONDITIONS.

Before entering the air delivery tables, calculate the total static pressure required. From the given example, the Wet Coil Pressure Drop Table, and the Filter Pressure Drop Table:

| | |
|--------------------------|----------------------|
| External Static Pressure | 0.300 IN. W.C |
| Filter | 0.060 IN. W.C |
| Wet Coil Pressure Drop | <u>0.070 IN. W.C</u> |
| Total Static Pressure | 0.43 IN. W.C |

Enter the table for Dry Coil Air Delivery—At 0.43 IN. W.C. ESP (external static pressure) and MED speed the motor delivers between 1664 CFM and 1627 cfm. Interpolation estimates 1653 CFM at .43 IN. W.C. Thus, MED delivers CFM needed.

SELECT UNIT THAT CORRESPONDS TO POWER SOURCE AVAILABLE.

The Electrical Data Table shows that the unit is designed to operate at 208-1-60.

Performance Data

24 Size

| EVAPORATOR AIR | | CONDENSER ENTERING AIR TEMPERATURES °F (°C) | | | | | | | | | | | | | | | | | |
|----------------|------------|---|-------|----------------|----------------|-------|----------------|----------------|-------|----------------|----------------|-------|----------------|----------------|-------|----------------|----------------|-------|----------------|
| CFM | EWB °F(°C) | 75 (23.9) | | | 85 (29.4) | | | 95 (35) | | | 105 (40.6) | | | 115 (46.1) | | | 125 (51.7) | | |
| | | Capacity MBtuh | | Total Sys KW** | Capacity MBtuh | | Total Sys KW** | Capacity MBtuh | | Total Sys KW** | Capacity MBtuh | | Total Sys KW** | Capacity MBtuh | | Total Sys KW** | Capacity MBtuh | | Total Sys KW** |
| | | Total | Sens‡ | | Total | Sens‡ | | Total | Sens‡ | | Total | Sens‡ | | Total | Sens‡ | | Total | Sens‡ | |
| 700 | 57 (13.8) | 23.8 | 23.8 | 1.6 | 23.0 | 23.0 | 1.8 | 21.9 | 21.9 | 2.0 | 19.3 | 19.3 | 2.2 | 17.8 | 17.8 | 2.4 | 16.3 | 16.3 | 2.7 |
| | 62 (16.6) | 24.8 | 22.2 | 1.6 | 23.7 | 21.7 | 1.8 | 22.6 | 20.5 | 2.0 | 19.9 | 18.9 | 2.2 | 18.3 | 17.5 | 2.4 | 16.7 | 16.0 | 2.7 |
| | 63*(17.2) | 25.3 | 17.9 | 1.6 | 24.1 | 17.3 | 1.8 | 22.8 | 16.8 | 2.0 | 19.8 | 16.1 | 2.2 | 18.1 | 15.4 | 2.4 | 16.1 | 14.9 | 2.7 |
| | 67(19.4) | 27.2 | 18.7 | 1.6 | 25.9 | 18.1 | 1.8 | 24.5 | 17.5 | 2.0 | 22.0 | 16.8 | 2.2 | 20.3 | 16.1 | 2.4 | 18.4 | 15.5 | 2.7 |
| | 72 (22.2) | 29.6 | 14.9 | 1.7 | 28.3 | 14.3 | 1.8 | 26.7 | 13.7 | 2.0 | 23.3 | 13.1 | 2.2 | 21.3 | 12.4 | 2.5 | 19.1 | 11.8 | 2.8 |
| 750 | 57 (13.8) | 23.4 | 22.6 | 1.6 | 22.6 | 21.3 | 1.8 | 21.6 | 20.0 | 2.0 | 19.0 | 18.4 | 2.2 | 17.5 | 17.0 | 2.5 | 16.0 | 15.6 | 2.7 |
| | 62 (16.6) | 23.7 | 21.6 | 1.6 | 22.6 | 21.1 | 1.8 | 21.6 | 20.0 | 2.0 | 19.0 | 18.4 | 2.2 | 17.5 | 17.0 | 2.5 | 16.0 | 15.6 | 2.7 |
| | 63*(17.2) | 23.9 | 17.5 | 1.6 | 22.9 | 16.9 | 1.8 | 21.6 | 16.3 | 2.0 | 18.8 | 15.7 | 2.2 | 17.1 | 15.0 | 2.5 | 15.3 | 14.5 | 2.7 |
| | 67(19.4) | 25.8 | 18.2 | 1.7 | 24.6 | 17.6 | 1.8 | 23.2 | 17.0 | 2.0 | 20.9 | 16.3 | 2.2 | 19.3 | 15.6 | 2.5 | 17.4 | 15.1 | 2.7 |
| | 72 (22.2) | 28.1 | 14.6 | 1.7 | 26.8 | 13.9 | 1.8 | 25.4 | 13.4 | 2.0 | 22.1 | 12.7 | 2.3 | 20.2 | 12.0 | 2.5 | 18.1 | 11.5 | 2.8 |
| 900 | 57 (13.8) | 25.9 | 25.7 | 1.7 | 25.0 | 24.3 | 1.8 | 23.8 | 22.8 | 2.0 | 21.0 | 21.0 | 2.3 | 19.3 | 19.3 | 2.5 | 17.7 | 17.7 | 2.8 |
| | 62 (16.6) | 26.2 | 24.9 | 1.7 | 25.0 | 24.1 | 1.8 | 23.8 | 22.8 | 2.0 | 21.0 | 21.0 | 2.3 | 19.3 | 19.3 | 2.5 | 17.7 | 17.7 | 2.8 |
| | 63*(17.2) | 26.4 | 19.9 | 1.7 | 25.2 | 19.3 | 1.8 | 23.8 | 18.6 | 2.0 | 20.7 | 17.9 | 2.3 | 18.9 | 17.1 | 2.5 | 16.9 | 16.6 | 2.8 |
| | 67(19.4) | 28.4 | 20.7 | 1.7 | 27.1 | 20.1 | 1.9 | 25.6 | 19.4 | 2.1 | 23.1 | 18.6 | 2.3 | 21.3 | 17.8 | 2.5 | 19.2 | 17.2 | 2.8 |
| | 72 (22.2) | 31.0 | 16.6 | 1.7 | 29.6 | 15.8 | 1.9 | 28.0 | 15.3 | 2.1 | 24.4 | 14.5 | 2.3 | 22.3 | 13.7 | 2.5 | 20.0 | 13.1 | 2.8 |

See Notes on page 17.

Performance Data

30 Size

| EVAPORATOR AIR | | CONDENSER ENTERING AIR TEMPERATURES °F (°C) | | | | | | | | | | | | | | | | | |
|----------------|------------|---|-------|----------------|----------------|-------|----------------|----------------|-------|----------------|----------------|-------|----------------|----------------|-------|----------------|----------------|-------|----------------|
| CFM | EWB °F(°C) | 75 (23.9) | | | 85 (29.4) | | | 95 (35) | | | 105 (40.6) | | | 115 (46.1) | | | 125 (51.7) | | |
| | | Capacity MBtuh | | Total Sys KW** | Capacity MBtuh | | Total Sys KW** | Capacity MBtuh | | Total Sys KW** | Capacity MBtuh | | Total Sys KW** | Capacity MBtuh | | Total Sys KW** | Capacity MBtuh | | Total Sys KW** |
| | | Total | Sens‡ | | Total | Sens‡ | | Total | Sens‡ | | Total | Sens‡ | | Total | Sens‡ | | Total | Sens‡ | |
| 875 | 57 (13.8) | 29.2 | 29.2 | 2.0 | 28.2 | 28.2 | 2.2 | 26.9 | 26.9 | 2.4 | 22.9 | 22.9 | 2.7 | 21.3 | 21.3 | 2.9 | 19.5 | 19.5 | 3.1 |
| | 62 (16.6) | 30.3 | 27.6 | 2.0 | 29.0 | 27.0 | 2.2 | 27.6 | 25.5 | 2.4 | 23.5 | 22.7 | 2.7 | 21.9 | 21.5 | 2.9 | 20.0 | 19.5 | 3.1 |
| | 63*(17.2) | 30.9 | 22.3 | 2.0 | 29.5 | 21.6 | 2.2 | 27.9 | 20.8 | 2.4 | 23.5 | 19.6 | 2.7 | 21.6 | 19.2 | 2.9 | 19.3 | 18.1 | 3.1 |
| | 67(19.4) | 33.3 | 23.2 | 2.0 | 31.8 | 22.5 | 2.2 | 30.0 | 21.7 | 2.5 | 26.4 | 20.6 | 2.7 | 24.6 | 20.0 | 2.9 | 22.2 | 19.1 | 3.1 |
| | 72 (22.2) | 36.3 | 18.6 | 2.0 | 34.6 | 17.7 | 2.2 | 32.8 | 17.1 | 2.5 | 27.7 | 15.9 | 2.7 | 25.6 | 15.4 | 2.9 | 22.8 | 14.3 | 3.1 |
| 950 | 57 (13.8) | 29.1 | 28.4 | 2.0 | 28.1 | 26.8 | 2.2 | 26.8 | 25.2 | 2.5 | 22.8 | 22.4 | 2.7 | 21.3 | 21.3 | 2.9 | 19.4 | 19.2 | 3.1 |
| | 62 (16.6) | 29.4 | 27.3 | 2.0 | 28.1 | 26.6 | 2.2 | 26.8 | 25.2 | 2.5 | 22.8 | 22.4 | 2.7 | 21.3 | 21.3 | 2.9 | 19.4 | 19.2 | 3.1 |
| | 63*(17.2) | 29.7 | 22.0 | 2.0 | 28.4 | 21.3 | 2.2 | 26.8 | 20.6 | 2.5 | 22.6 | 19.3 | 2.7 | 20.8 | 18.9 | 2.9 | 18.5 | 17.9 | 3.1 |
| | 67(19.4) | 32.0 | 22.9 | 2.0 | 30.5 | 22.2 | 2.2 | 28.8 | 21.4 | 2.5 | 25.3 | 20.3 | 2.7 | 23.6 | 19.7 | 2.9 | 21.3 | 18.8 | 3.1 |
| | 72 (22.2) | 34.8 | 18.3 | 2.1 | 33.3 | 17.5 | 2.3 | 31.5 | 16.9 | 2.5 | 26.6 | 15.7 | 2.7 | 24.6 | 15.2 | 2.9 | 22.0 | 14.1 | 3.2 |
| 1125 | 57 (13.8) | 31.7 | 31.7 | 2.1 | 30.6 | 30.2 | 2.3 | 29.1 | 28.3 | 2.5 | 24.9 | 24.9 | 2.8 | 23.2 | 23.2 | 3.0 | 21.1 | 21.1 | 3.2 |
| | 62 (16.6) | 32.0 | 31.0 | 2.1 | 30.6 | 29.9 | 2.3 | 29.2 | 28.3 | 2.5 | 24.9 | 24.9 | 2.8 | 23.2 | 23.2 | 3.0 | 21.1 | 21.1 | 3.2 |
| | 63*(17.2) | 32.4 | 24.8 | 2.1 | 30.9 | 23.9 | 2.3 | 29.2 | 23.1 | 2.5 | 24.6 | 21.7 | 2.8 | 22.6 | 21.3 | 3.0 | 20.2 | 20.1 | 3.2 |
| | 67(19.4) | 34.8 | 25.8 | 2.1 | 33.3 | 24.9 | 2.3 | 31.4 | 24.1 | 2.6 | 27.6 | 22.9 | 2.8 | 25.7 | 22.2 | 3.0 | 23.2 | 21.2 | 3.2 |
| | 72 (22.2) | 38.0 | 20.6 | 2.1 | 36.3 | 19.7 | 2.3 | 34.3 | 19.0 | 2.6 | 29.0 | 17.6 | 2.8 | 26.8 | 17.1 | 3.0 | 23.9 | 15.9 | 3.2 |

See Notes on page 17.

Performance Data

36 Size

| EVAPORATOR AIR | | CONDENSER ENTERING AIR TEMPERATURES °F (°C) | | | | | | | | | | | | | | | | | |
|----------------|-----------|---|------------|----------------|-----------|----------------|----------------|---------|----------------|----------------|------------|----------------|----------------|------------|----------------|----------------|------------|----------------|----------------|
| | | 75 (23.9) | | | 85 (29.4) | | | 95 (35) | | | 105 (40.6) | | | 115 (46.1) | | | 125 (51.7) | | |
| | | CFM | EWB °F(°C) | Capacity MBtuh | | Total Sys KW** | Capacity MBtuh | | Total Sys KW** | Capacity MBtuh | | Total Sys KW** | Capacity MBtuh | | Total Sys KW** | Capacity MBtuh | | Total Sys KW** | Capacity MBtuh |
| Total | Sens‡ | | | Total | Sens‡ | Total | Sens‡ | Total | Sens‡ | Total | Sens‡ | Total | Sens‡ | Total | Sens‡ | Total | Sens‡ | Total | Sens‡ |
| 1050 | 57 (13.8) | 34.6 | 34.6 | 2.4 | 33.4 | 33.4 | 2.7 | 31.8 | 31.8 | 3.0 | 27.4 | 27.4 | 3.3 | 25.3 | 25.3 | 3.5 | 23.1 | 23.1 | 3.8 |
| | 62 (16.6) | 35.9 | 33.0 | 2.4 | 34.3 | 32.2 | 2.7 | 32.7 | 30.5 | 3.0 | 28.2 | 27.1 | 3.3 | 26.0 | 25.5 | 3.5 | 23.7 | 23.3 | 3.8 |
| | 63*(17.2) | 36.6 | 26.6 | 2.4 | 35.0 | 25.8 | 2.7 | 33.0 | 24.9 | 3.0 | 28.1 | 23.4 | 3.3 | 25.6 | 22.9 | 3.5 | 22.8 | 21.7 | 3.8 |
| | 67(19.4) | 39.4 | 27.8 | 2.5 | 37.6 | 26.9 | 2.7 | 35.5 | 25.9 | 3.0 | 31.6 | 24.6 | 3.3 | 29.1 | 23.9 | 3.5 | 26.3 | 22.8 | 3.8 |
| | 72 (22.2) | 42.9 | 22.2 | 2.5 | 41.0 | 21.2 | 2.7 | 38.8 | 20.4 | 3.0 | 33.2 | 19.0 | 3.3 | 30.3 | 18.4 | 3.6 | 27.1 | 17.1 | 3.8 |
| 1150 | 57 (13.8) | 34.7 | 34.3 | 2.5 | 33.5 | 32.3 | 2.7 | 32.0 | 30.4 | 3.0 | 27.6 | 27.0 | 3.3 | 25.4 | 25.4 | 3.6 | 23.2 | 23.2 | 3.8 |
| | 62 (16.6) | 35.1 | 32.9 | 2.5 | 33.5 | 32.1 | 2.7 | 32.0 | 30.4 | 3.0 | 27.6 | 27.0 | 3.3 | 25.4 | 25.4 | 3.6 | 23.2 | 23.2 | 3.8 |
| | 63*(17.2) | 35.5 | 26.5 | 2.5 | 33.9 | 25.7 | 2.7 | 32.0 | 24.8 | 3.0 | 27.2 | 23.3 | 3.3 | 24.8 | 22.8 | 3.6 | 22.1 | 21.6 | 3.8 |
| | 67(19.4) | 38.2 | 27.6 | 2.5 | 36.5 | 26.7 | 2.7 | 34.4 | 25.8 | 3.0 | 30.6 | 24.5 | 3.3 | 28.2 | 23.8 | 3.6 | 25.5 | 22.7 | 3.8 |
| | 72 (22.2) | 41.6 | 22.1 | 2.5 | 39.7 | 21.1 | 2.8 | 37.6 | 20.3 | 3.1 | 32.1 | 18.9 | 3.3 | 29.3 | 18.3 | 3.6 | 26.2 | 17.0 | 3.9 |
| 1350 | 57 (13.8) | 37.5 | 37.5 | 2.5 | 36.2 | 36.1 | 2.8 | 34.5 | 33.8 | 3.1 | 29.8 | 29.8 | 3.4 | 27.4 | 27.4 | 3.6 | 25.0 | 25.0 | 3.9 |
| | 62 (16.6) | 37.9 | 37.1 | 2.5 | 36.2 | 35.8 | 2.8 | 34.6 | 33.8 | 3.1 | 29.8 | 29.8 | 3.4 | 27.4 | 27.4 | 3.6 | 25.0 | 25.0 | 3.9 |
| | 63*(17.2) | 38.4 | 29.6 | 2.5 | 36.6 | 28.6 | 2.8 | 34.6 | 27.7 | 3.1 | 29.4 | 26.0 | 3.4 | 26.8 | 25.4 | 3.6 | 23.9 | 23.9 | 3.9 |
| | 67(19.4) | 41.2 | 30.8 | 2.6 | 39.4 | 29.8 | 2.8 | 37.2 | 28.8 | 3.1 | 33.1 | 27.4 | 3.4 | 30.5 | 26.5 | 3.6 | 27.5 | 25.3 | 3.9 |
| | 72 (22.2) | 45.0 | 24.7 | 2.6 | 42.9 | 23.6 | 2.8 | 40.6 | 22.7 | 3.1 | 34.7 | 21.1 | 3.4 | 31.7 | 20.4 | 3.7 | 28.3 | 19.0 | 3.9 |

See Notes on page 17.

Performance Data

42 Size

| EVAPORATOR AIR | | CONDENSER ENTERING AIR TEMPERATURES °F (°C) | | | | | | | | | | | | | | | | | |
|----------------|-----------|---|------------|----------------|-----------|----------------|----------------|---------|----------------|----------------|------------|----------------|----------------|------------|----------------|----------------|------------|----------------|----------------|
| | | 75 (23.9) | | | 85 (29.4) | | | 95 (35) | | | 105 (40.6) | | | 115 (46.1) | | | 125 (51.7) | | |
| | | CFM | EWB °F(°C) | Capacity MBtuh | | Total Sys KW** | Capacity MBtuh | | Total Sys KW** | Capacity MBtuh | | Total Sys KW** | Capacity MBtuh | | Total Sys KW** | Capacity MBtuh | | Total Sys KW** | Capacity MBtuh |
| Total | Sens‡ | | | Total | Sens‡ | Total | Sens‡ | Total | Sens‡ | Total | Sens‡ | Total | Sens‡ | Total | Sens‡ | Total | Sens‡ | Total | Sens‡ |
| 1225 | 57 (13.8) | 40.0 | 40.0 | 2.8 | 38.6 | 38.6 | 3.0 | 36.8 | 36.8 | 3.4 | 31.7 | 31.7 | 3.7 | 29.2 | 29.2 | 4.0 | 26.6 | 26.6 | 4.3 |
| | 62 (16.6) | 41.5 | 38.8 | 2.8 | 39.6 | 37.8 | 3.0 | 37.8 | 35.8 | 3.4 | 32.6 | 31.8 | 3.7 | 30.0 | 29.5 | 4.0 | 27.4 | 26.9 | 4.3 |
| | 63*(17.2) | 42.3 | 31.3 | 2.8 | 40.4 | 30.2 | 3.0 | 38.2 | 29.2 | 3.4 | 32.5 | 27.5 | 3.7 | 29.6 | 26.9 | 4.0 | 26.4 | 25.5 | 4.3 |
| | 67(19.4) | 45.5 | 32.6 | 2.8 | 43.5 | 31.5 | 3.1 | 41.0 | 30.4 | 3.4 | 36.5 | 28.9 | 3.7 | 33.6 | 28.0 | 4.0 | 30.4 | 26.8 | 4.3 |
| | 72 (22.2) | 49.6 | 26.1 | 2.8 | 47.4 | 24.9 | 3.1 | 44.8 | 24.0 | 3.4 | 38.3 | 22.3 | 3.7 | 35.0 | 21.6 | 4.0 | 31.3 | 20.1 | 4.3 |
| 1350 | 57 (13.8) | 40.4 | 40.4 | 2.8 | 39.0 | 38.2 | 3.1 | 37.2 | 35.8 | 3.4 | 32.0 | 31.9 | 3.7 | 29.5 | 29.5 | 4.0 | 26.9 | 26.9 | 4.3 |
| | 62 (16.6) | 40.8 | 38.8 | 2.8 | 39.0 | 37.9 | 3.1 | 37.2 | 35.8 | 3.4 | 32.0 | 31.9 | 3.7 | 29.5 | 29.5 | 4.0 | 26.9 | 26.9 | 4.3 |
| | 63*(17.2) | 41.3 | 31.3 | 2.8 | 39.4 | 30.3 | 3.1 | 37.2 | 29.3 | 3.4 | 31.7 | 27.5 | 3.7 | 28.9 | 26.9 | 4.0 | 25.8 | 25.5 | 4.3 |
| | 67(19.4) | 44.4 | 32.6 | 2.8 | 42.4 | 31.6 | 3.1 | 40.0 | 30.5 | 3.5 | 35.6 | 29.0 | 3.7 | 32.8 | 28.1 | 4.0 | 29.6 | 26.8 | 4.3 |
| | 72 (22.2) | 48.4 | 26.1 | 2.9 | 46.2 | 24.9 | 3.1 | 43.7 | 24.0 | 3.5 | 37.4 | 22.3 | 3.8 | 34.1 | 21.6 | 4.0 | 30.5 | 20.1 | 4.4 |
| 1575 | 57 (13.8) | 43.4 | 43.4 | 2.9 | 41.9 | 41.9 | 3.1 | 39.9 | 39.7 | 3.5 | 34.4 | 34.4 | 3.8 | 31.7 | 31.7 | 4.1 | 28.9 | 28.9 | 4.4 |
| | 62 (16.6) | 43.8 | 43.5 | 2.9 | 41.9 | 41.9 | 3.1 | 39.9 | 39.7 | 3.5 | 34.4 | 34.4 | 3.8 | 31.7 | 31.7 | 4.1 | 28.9 | 28.9 | 4.4 |
| | 63*(17.2) | 44.3 | 34.7 | 2.9 | 42.3 | 33.6 | 3.1 | 40.0 | 32.5 | 3.5 | 34.0 | 30.5 | 3.8 | 31.0 | 29.9 | 4.1 | 27.6 | 27.6 | 4.4 |
| | 67(19.4) | 47.7 | 36.2 | 2.9 | 45.5 | 35.0 | 3.2 | 42.9 | 33.8 | 3.5 | 38.2 | 32.1 | 3.8 | 35.2 | 31.1 | 4.1 | 31.8 | 29.7 | 4.4 |
| | 72 (22.2) | 51.9 | 28.9 | 2.9 | 49.6 | 27.6 | 3.2 | 46.9 | 26.6 | 3.6 | 40.1 | 24.7 | 3.8 | 36.6 | 23.9 | 4.1 | 32.7 | 22.3 | 4.4 |

See Notes on page 17.

Performance Data

48 Size

| EVAPORATOR AIR | | CONDENSER ENTERING AIR TEMPERATURES °F (°C) | | | | | | | | | | | | | | | | | |
|----------------|------------|---|-------|----------------|----------------|-------|----------------|----------------|-------|----------------|----------------|-------|----------------|----------------|-------|----------------|----------------|-------|----------------|
| CFM | EWB °F(°C) | 75 (23.9) | | | 85 (29.4) | | | 95 (35) | | | 105 (40.6) | | | 115 (46.1) | | | 125 (51.7) | | |
| | | Capacity MBtuh | | Total Sys KW** | Capacity MBtuh | | Total Sys KW** | Capacity MBtuh | | Total Sys KW** | Capacity MBtuh | | Total Sys KW** | Capacity MBtuh | | Total Sys KW** | Capacity MBtuh | | Total Sys KW** |
| | | Total | Sens‡ | | Total | Sens‡ | | Total | Sens‡ | | Total | Sens‡ | | Total | Sens‡ | | Total | Sens‡ | |
| 1400 | 57 (13.8) | 44.3 | 44.3 | 3.2 | 42.8 | 42.8 | 3.5 | 40.8 | 40.8 | 3.9 | 35.1 | 35.1 | 4.3 | 32.4 | 32.4 | 4.6 | 29.5 | 29.5 | 5.0 |
| | 62 (16.6) | 46.0 | 42.6 | 3.2 | 44.0 | 41.5 | 3.5 | 41.9 | 39.3 | 3.9 | 36.1 | 34.9 | 4.3 | 33.3 | 32.7 | 4.6 | 30.4 | 29.8 | 5.0 |
| | 63*(17.2) | 47.0 | 34.3 | 3.2 | 44.8 | 33.2 | 3.5 | 42.3 | 32.1 | 3.9 | 36.0 | 30.2 | 4.3 | 32.8 | 29.5 | 4.6 | 29.3 | 27.9 | 5.0 |
| | 67(19.4) | 50.5 | 35.8 | 3.3 | 48.2 | 34.6 | 3.6 | 45.5 | 33.4 | 4.0 | 40.5 | 31.7 | 4.3 | 37.3 | 30.7 | 4.6 | 33.7 | 29.4 | 5.0 |
| 1600 | 72 (22.2) | 55.0 | 28.6 | 3.3 | 52.6 | 27.3 | 3.6 | 49.7 | 26.3 | 4.0 | 42.5 | 24.4 | 4.4 | 38.8 | 23.7 | 4.7 | 34.7 | 22.1 | 5.0 |
| | 57 (13.8) | 46.5 | 46.1 | 3.3 | 44.9 | 43.5 | 3.6 | 42.7 | 40.8 | 4.0 | 36.8 | 36.3 | 4.4 | 33.9 | 33.9 | 4.7 | 31.0 | 31.0 | 5.1 |
| | 62 (16.6) | 47.0 | 44.2 | 3.3 | 44.9 | 43.1 | 3.6 | 42.8 | 40.8 | 4.0 | 36.8 | 36.3 | 4.4 | 33.9 | 33.9 | 4.7 | 31.0 | 31.0 | 5.1 |
| | 63*(17.2) | 47.5 | 35.7 | 3.3 | 45.3 | 34.5 | 3.6 | 42.8 | 33.3 | 4.0 | 36.4 | 31.3 | 4.4 | 33.2 | 30.7 | 4.7 | 29.6 | 29.0 | 5.1 |
| 1800 | 67(19.4) | 51.1 | 37.2 | 3.3 | 48.8 | 35.9 | 3.6 | 46.0 | 34.7 | 4.1 | 40.9 | 33.0 | 4.4 | 37.7 | 31.9 | 4.7 | 34.0 | 30.6 | 5.1 |
| | 72 (22.2) | 55.7 | 29.7 | 3.4 | 53.1 | 28.4 | 3.7 | 50.3 | 27.3 | 4.1 | 43.0 | 25.4 | 4.4 | 39.2 | 24.6 | 4.7 | 35.1 | 22.9 | 5.1 |
| | 57 (13.8) | 48.1 | 48.1 | 3.4 | 46.4 | 46.4 | 3.7 | 44.2 | 43.6 | 4.1 | 38.1 | 38.1 | 4.4 | 35.1 | 35.1 | 4.8 | 32.1 | 32.1 | 5.1 |
| | 62 (16.6) | 48.6 | 47.7 | 3.4 | 46.4 | 46.1 | 3.7 | 44.3 | 43.6 | 4.1 | 38.1 | 38.1 | 4.4 | 35.1 | 35.1 | 4.8 | 32.1 | 32.1 | 5.1 |
| 1800 | 63*(17.2) | 49.1 | 38.1 | 3.4 | 46.9 | 36.9 | 3.7 | 44.3 | 35.6 | 4.1 | 37.7 | 33.5 | 4.4 | 34.4 | 32.8 | 4.8 | 30.7 | 30.7 | 5.1 |
| | 67(19.4) | 52.8 | 39.7 | 3.4 | 50.5 | 38.4 | 3.7 | 47.6 | 37.1 | 4.1 | 42.4 | 35.3 | 4.4 | 39.0 | 34.1 | 4.8 | 35.2 | 32.7 | 5.1 |
| | 72 (22.2) | 57.6 | 31.8 | 3.4 | 55.0 | 30.3 | 3.7 | 52.0 | 29.2 | 4.2 | 44.5 | 27.1 | 4.5 | 40.6 | 26.3 | 4.8 | 36.3 | 24.5 | 5.2 |

See Notes on page 17.

Performance Data

60 Size

| EVAPORATOR AIR | | CONDENSER ENTERING AIR TEMPERATURES °F (°C) | | | | | | | | | | | | | | | | | |
|----------------|------------|---|-------|----------------|----------------|-------|----------------|----------------|-------|----------------|----------------|-------|----------------|----------------|-------|----------------|----------------|-------|----------------|
| CFM | EWB °F(°C) | 75 (23.9) | | | 85 (29.4) | | | 95 (35) | | | 105 (40.6) | | | 115 (46.1) | | | 125 (51.7) | | |
| | | Capacity MBtuh | | Total Sys KW** | Capacity MBtuh | | Total Sys KW** | Capacity MBtuh | | Total Sys KW** | Capacity MBtuh | | Total Sys KW** | Capacity MBtuh | | Total Sys KW** | Capacity MBtuh | | Total Sys KW** |
| | | Total | Sens‡ | | Total | Sens‡ | | Total | Sens‡ | | Total | Sens‡ | | Total | Sens‡ | | Total | Sens‡ | |
| 1600 | 57 (13.8) | 56.4 | 56.4 | 4.0 | 54.4 | 54.4 | 4.4 | 51.8 | 51.8 | 4.9 | 42.7 | 42.7 | 5.3 | 39.2 | 39.2 | 5.7 | 36.6 | 36.6 | 6.2 |
| | 62 (16.6) | 58.6 | 52.1 | 4.0 | 55.9 | 50.8 | 4.4 | 53.3 | 48.1 | 4.9 | 43.9 | 40.1 | 5.3 | 40.3 | 39.5 | 5.7 | 37.6 | 35.9 | 6.2 |
| | 63*(17.2) | 59.7 | 42.0 | 4.0 | 57.0 | 40.7 | 4.4 | 53.9 | 39.3 | 4.9 | 43.8 | 34.6 | 5.3 | 39.7 | 35.3 | 5.7 | 36.2 | 33.4 | 6.2 |
| | 67(19.4) | 64.2 | 43.8 | 4.0 | 61.3 | 42.3 | 4.4 | 57.9 | 40.9 | 4.9 | 49.2 | 36.4 | 5.3 | 45.1 | 36.8 | 5.7 | 41.7 | 35.2 | 6.2 |
| 1750 | 72 (22.2) | 70.0 | 35.0 | 4.1 | 66.8 | 33.5 | 4.5 | 63.2 | 32.2 | 5.0 | 51.6 | 28.0 | 5.4 | 46.9 | 28.4 | 5.8 | 42.9 | 26.4 | 6.2 |
| | 57 (13.8) | 56.6 | 54.0 | 4.0 | 54.6 | 50.9 | 4.4 | 52.0 | 47.8 | 4.9 | 42.8 | 39.8 | 5.4 | 39.3 | 39.3 | 5.8 | 36.7 | 35.7 | 6.2 |
| | 62 (16.6) | 57.2 | 51.8 | 4.0 | 54.6 | 50.5 | 4.4 | 52.1 | 47.8 | 4.9 | 42.8 | 39.8 | 5.4 | 39.3 | 39.3 | 5.8 | 36.7 | 35.7 | 6.2 |
| | 63*(17.2) | 57.8 | 41.8 | 4.0 | 55.2 | 40.4 | 4.4 | 52.1 | 39.1 | 4.9 | 42.4 | 34.4 | 5.4 | 38.4 | 35.1 | 5.8 | 35.1 | 33.2 | 6.2 |
| 2000 | 67(19.4) | 62.2 | 43.5 | 4.1 | 59.4 | 42.1 | 4.5 | 56.0 | 40.7 | 5.0 | 47.6 | 36.2 | 5.4 | 43.7 | 36.6 | 5.8 | 40.3 | 35.0 | 6.2 |
| | 72 (22.2) | 67.8 | 34.8 | 4.1 | 64.7 | 33.3 | 4.5 | 61.2 | 32.0 | 5.0 | 50.0 | 27.9 | 5.4 | 45.4 | 28.2 | 5.8 | 41.5 | 26.2 | 6.3 |
| | 57 (13.8) | 59.5 | 58.6 | 4.1 | 57.4 | 55.3 | 4.5 | 54.7 | 51.9 | 5.0 | 45.0 | 43.2 | 5.5 | 41.3 | 41.3 | 5.9 | 38.6 | 38.6 | 6.3 |
| | 62 (16.6) | 60.1 | 56.8 | 4.1 | 57.4 | 54.9 | 4.5 | 54.8 | 51.9 | 5.0 | 45.0 | 43.2 | 5.5 | 41.3 | 41.3 | 5.9 | 38.6 | 38.6 | 6.3 |
| 2000 | 63*(17.2) | 60.8 | 45.4 | 4.1 | 58.0 | 43.9 | 4.5 | 54.8 | 42.4 | 5.0 | 44.5 | 37.3 | 5.5 | 40.4 | 38.2 | 5.9 | 36.9 | 36.1 | 6.3 |
| | 67(19.4) | 65.4 | 47.3 | 4.2 | 62.4 | 45.7 | 4.6 | 58.9 | 44.2 | 5.1 | 50.0 | 39.3 | 5.5 | 45.9 | 39.8 | 5.9 | 42.4 | 38.0 | 6.3 |
| | 72 (22.2) | 71.2 | 37.8 | 4.2 | 68.0 | 36.1 | 4.6 | 64.4 | 34.8 | 5.1 | 52.6 | 30.3 | 5.5 | 47.8 | 30.6 | 5.9 | 43.7 | 28.5 | 6.4 |

See Notes on page 17.

Performance Data

*At 75°F (24°C) entering dry bulb-Tennessee Valley Authority (TVA) rating conditions; all others at 80°F dry bulb.

† Sensible capacities shown are based on 80°F (27°C) entering air at the indoor coil. For sensible capacities at other than 80°F (27°C), deduct 835 Btuh (245 kW) per 1000 CFM (480 L/S) of indoor coil air for each degree below 80°F (27°C), or add 835 Btuh (245 kW) per 1000 CFM (480 L/S) of indoor coil air per degree above 80°F (27°C).

** System KW is total of indoor and outdoor unit kilowatts.

***System amps are at 230 VAC line voltage. If using True RMS meter, add 10%

LEGEND

BF— Bypass Factor

edb— Entering Dry--Bulb

Ewb— Entering Wet--Bulb

kW — Total Unit Power Input

SHC— Sensible Heat Capacity (1000 Btuh)

TC — Total Capacity (1000 Btuh) (net)

rh—Relative Humidity

COOLING NOTES:

1. Ratings are net; they account for the effects of the evaporator ---fan motor power and heat.
2. Direct interpolation is permissible. Do not extrapolate.
3. The following formulas may be used:

$${}^{\circ}\text{ldb} = {}^{\circ}\text{edb} - \frac{\text{Sensible capacity (Btuh)}}{1.10 \times \text{CFM}}$$

$${}^{\circ}\text{lwb} = \text{Wet-bulb temperature corresponding to enthalpy air leaving evaporator coil } ({}^{\circ}\text{lwb})$$

$${}^{\circ}\text{hwb} = {}^{\circ}\text{ewb} - \frac{\text{total capacity (Btuh)}}{(4.5 \times \text{CFM})}$$

Where: ${}^{\circ}\text{hwb}$ = Enthalpy of air entering evaporator coil

4. The SHC is based on 80°F (26.6°C) edb temperature of air entering evaporator coil. Below 80°F (26.6°C) edb, subtract (corr factor x cfm) from SHC.

Above 80°F (26.6°C) edb, add (corr factor x cfm) to SHC.

Correction Factor = $1.10 \times (1 + \text{BF}) \times (\text{edb} - 80)$.

5. Integrated capacity is maximum (instantaneous) capacity less the effect of frost on the outdoor coil and the heat required to defrost it.

Gas Adjustment

Natural Gas Orifice Sizes and Manifold Pressure

| Nameplate Input (Btu/hr) | | ALTITUDE OF INSTALLATION (FT. ABOVE SEA LEVEL) U.S.A.* | | | | |
|-----------------------------|----------------------------|--|---|---------------------------------|----------------------------------|----------------------------------|
| | | 0 to 2000 (0-610 m) | 2001 to 3000 [†] (611 to 914 m) | 3001 to 4000 (915 to 1219 m) | 4001 to 5000 (1220 to 1524 m) | 5001 to 6000 (1524 to 1829 m) |
| 40000 | Orifice No. (Qty) | 44 (2) | 45 (2) [†] | 48(2) [†] | 48 (2) [†] | 48 (2) [†] |
| | Manifold Press. (in. W.C.) | 3.2 | 3.2 | 3.8 | 3.5 | 3.2 |
| 60000 | Orifice No. (Qty) | 44 (2) | 45 (2) [†] | 48 (2) [†] | 48 (2) [†] | 48 (2) [†] |
| | Manifold Press. (in. W.C.) | 3.2 | 3.2 | 3.8 | 3.5 | 3.2 |
| 90000 | Orifice No. (Qty) | 38 (3) | 41 (3) [†] | 41 (3) [†] | 42 (3) [†] | 42 (3) [†] |
| | Manifold Press. (in. W.C.) | 3.6 | 3.8 | 3.4 | 3.4 | 3.2 |
| 115000 | Orifice No. (Qty) | 33 (3) | 36 (3) [†] | 36 (3) [†] | 36 (3) [†] | 38 (3) [†] |
| | Manifold Press. (in. W.C.) | 3.8 | 3.8 | 3.6 | 3.3 | 3.6 |
| 127000 | Orifice No. (Qty) | 31 (3) | 31 (3) | 33 (3) [†] | 33 (3) [†] | 34 (3) [†] |
| | Manifold Press. (in. W.C.) | 3.7 | 3.2 | 3.5 | 3.2 | 3.2 |

*. In the U.S.A., the input rating for altitudes above 2000 ft (610m) must be reduced by 4% for each 1000 ft (305 m) above sea level.
In Canada, the input rating for altitudes from 2001 to 4500 ft (611 to 1372 m) above sea level must be derated by 10% by an authorized gas conversion station or dealer.
For Canadian Installations from 2000 to 4500 ft (610-1372 m), use U.S.A. column 2001 to 3000 ft (611 to 914 m).

†. Orifices available through your distributor.

NOTE: Orifice sizes and manifold pressure settings are based on natural gas with a heating value of 1025 Btu/ft³ and a specific gravity of .6.

Propane Gas Orifice Sizes and Manifold Pressure

| Nameplate Input (Btu/hr) | | ALTITUDE OF INSTALLATION (FT. ABOVE SEA LEVEL) U.S.A.*† | | | | |
|-----------------------------|----------------------------|---|---|---------------------------------|----------------------------------|----------------------------------|
| | | 0 to 2000 (0-610 m) | 2001 to 3000 [†] (611 to 914 m) | 3001 to 4000 (915 to 1219 m) | 4001 to 5000 (1220 to 1524 m) | 5001 to 6000 (1524 to 1829 m) |
| 40000 | Orifice No. (Qty) | 55 (2) | 56 (2) | 56 (2) | 56 (2) | 56 (2) |
| | Manifold Press. (in. W.C.) | 10.0 | 11.0 | 11.0 | 11.0 | 10.7 |
| 60000 | Orifice No. (Qty) | 55 (3) | 56 (3) | 56 (3) | 56 (3) | 54 (3) |
| | Manifold Press. (in. W.C.) | 10.0 | 11.0 | 11.0 | 11.0 | 11.7 |
| 90000 | Orifice No. (Qty) | 53 (3) | 54 (3) | 54 (3) | 54 (3) | 54 (3) |
| | Manifold Press.(in. W.C.) | 10.0 | 11.0 | 11.0 | 11.0 | 11.0 |
| 115000 | Orifice No. (Qty) | 51 (3) | 52 (3) | 52 (3) | 53 (3) | 53 (3) |
| | Manifold Press. (in. W.C.) | 10.0 | 11.0 | 10.6 | 11.0 | 11.0 |
| 127000 | Orifice No. (Qty) | 49 (3) | 50 (3) | 51 (3) | 52 (3) | 52 (3) |
| | Manifold Press. (in. W.C.) | 10.0 | 11.0 | 11.0 | 11.0 | 11.0 |

*. In the U.S.A., the input rating for altitudes above 2000 ft (610m) must be reduced by 4% for each 1000 ft (305 m) above sea level.
In Canada, the input rating for altitudes from 2001 to 4500 ft (611 to 1372 m) above sea level must be derated by 10% by an authorized gas conversion station or dealer.
For Canadian Installations from 2000 to 4500 ft (610-1372 m), use U.S.A. column 2001 to 3000 ft (611 to 914 m).

†. Use Kit No. CPLPCONV013*00 (0-2000 ft [0-610 m] above sea level). Use Kit No. CPLPCONV014*00 (2001-6000 ft [611-1829 m] above sea level).

High Altitude Compensation, Propane Gas

| Nameplate Input (Btu/hr) | Rated Heating Input (Btu/hr), LP Gas at Installation Altitude Above Sea Level, U.S.A.* | | | | |
|--------------------------|--|--|------------------------------------|-------------------------------------|-------------------------------------|
| | 0 to 2000 ft (0-610 m) | 2001 to 3000 ft [†] (611 to 914 m) | 3001 to 4000 ft (915 to 1219 m) | 4001 to 5000 ft (1220 to 1524 m) | 5001 to 6000 ft (1524 to 1829 m) |
| 40000 | 38000 | 31700 | 31700 | 31700 | 31200 |
| 60000 | 57000 | 47500 | 47500 | 47500 | 46900 |
| 90000 | 79000 | 68900 | 68900 | 68600 | 68600 |
| 115000 | 103000 | 100400 | 98900 | 83000 | 83000 |
| 127000 | 116000 | 115500 | 111800 | 101300 | 100400 |

*. In the U.S.A., the input rating for altitudes above 2000 ft (610m) must be reduced by 4% for each 1000 ft (305 m) above sea level.
 In Canada, the input rating for altitudes from 2001 to 4500 ft (611 to 1372 m) above sea level must be derated by 10% by an authorized gas conversion station or dealer.
 For Canadian Installations from 2000 to 4500 ft (610-1372 m), use U.S.A. column 2001 to 3000 ft (611 to 914 m).

High Altitude Compensation, Natural Gas

| Nameplate Input (Btu/hr) | Rated Heating Input (Btu/hr), Natural Gas at Installation Altitude Above Sea Level, U.S.A.* | | | | |
|--------------------------|---|--|------------------------------------|-------------------------------------|-------------------------------------|
| | 0 to 2000 ft (0-610 m) | 2001 to 3000 ft [†] (611 to 914 m) | 3001 to 4000 ft (915 to 1219 m) | 4001 to 5000 ft (1220 to 1524 m) | 5001 to 6000 ft (1524 to 1829 m) |
| 40000 | 40000 | 36000 | 34400 | 32800 | 31200 |
| 60000 | 60000 | 54000 | 51600 | 49200 | 46800 |
| 90000 | 90000 | 81000 | 77400 | 73800 | 70200 |
| 115000 | 115000 | 103500 | 98900 | 94300 | 89700 |
| 127000 | 127000 | 114300 | 109200 | 104100 | 99100 |

*. In the U.S.A., the input rating for altitudes above 2000 ft (610m) must be reduced by 4% for each 1000 ft (305 m) above sea level.
 In Canada, the input rating for altitudes from 2001 to 4500 ft (611 to 1372 m) above sea level must be derated by 10% by an authorized gas conversion station or dealer.
 For Canadian Installations from 2000 to 4500 ft (610-1372 m), use U.S.A. column 2001 to 3000 ft (611 to 914 m).

Dry Coil Air Delivery* - Horizontal and Downflow Discharge Sizes 24-60

| Unit Size | Heating Rise °F (°C) | Motor Speed | Tap | Allowable Functions | ESP (in. W.C.) | | | | | | | | | | |
|-----------|----------------------|-------------|--------|--|--------------------|------|------|------|------|------|------|------|------|------|------|
| | | | | | | 0.1 | 0.2 | 0.3 | 0.4 | 0.5 | 0.6 | 0.7 | 0.8 | 0.9 | 1 |
| 24040 | 25 - 55 (14 - 31) | Low† | Blue | Alternate Heating | CFM | 640 | 553 | 454 | 310 | --- | --- | --- | --- | --- | --- |
| | | | | | BHP | 0.07 | 0.08 | 0.08 | 0.09 | --- | --- | --- | --- | --- | --- |
| | | | | | Gas Heat Rise (°F) | 47 | 54 | NA | NA | NA | NA | NA | NA | NA | NA |
| | | | | | Gas Heat Rise (°C) | 26 | 30 | NA | NA | NA | NA | NA | NA | NA | NA |
| | | Med-Low | Pink | Heating Alternate Cooling | CFM | 830 | 758 | 688 | 607 | 514 | 393 | 254 | --- | --- | --- |
| | | | | | BHP | 0.12 | 0.13 | 0.13 | 0.13 | 0.14 | 0.14 | 0.15 | --- | --- | --- |
| | | | | | Gas Heat Rise (°F) | 36 | 39 | 43 | 49 | NA | NA | NA | NA | NA | NA |
| | | | | | Gas Heat Rise (°C) | 20 | 22 | 24 | 27 | NA | NA | NA | NA | NA | NA |
| | | Medium** | Red | Cooling Alternate Heating | CFM | 1080 | 1025 | 969 | 910 | 852 | 787 | 718 | 638 | 541 | 457 |
| | | | | | BHP | 0.21 | 0.22 | 0.23 | 0.23 | 0.24 | 0.24 | 0.25 | 0.25 | 0.26 | 0.27 |
| | | | | | Gas Heat Rise (°F) | 28 | 29 | 31 | 33 | 35 | 38 | 41 | 47 | 55 | NA |
| | | | | | Gas Heat Rise (°C) | 15 | 16 | 17 | 18 | 19 | 21 | 23 | 26 | 31 | NA |
| | | Med-High‡ | Orange | Alternate Cooling Alternate Heating | CFM | 1101 | 1046 | 993 | 936 | 878 | 816 | 749 | 676 | 599 | 498 |
| | | | | | BHP | 0.22 | 0.23 | 0.24 | 0.24 | 0.25 | 0.26 | 0.26 | 0.27 | 0.27 | 0.28 |
| | | | | | Gas Heat Rise (°F) | 27 | 28 | 30 | 32 | 34 | 36 | 40 | 44 | 50 | NA |
| | | | | | Gas Heat Rise (°C) | 15 | 16 | 17 | 18 | 19 | 20 | 22 | 24 | 28 | NA |
| | | High | Black | High Static Cooling Only | CFM | 1222 | 1173 | 1123 | 1072 | 1021 | 967 | 912 | 853 | 787 | 712 |
| | | | | | BHP | 0.29 | 0.29 | 0.30 | 0.31 | 0.31 | 0.32 | 0.33 | 0.34 | 0.34 | 0.34 |
| CFM | 640 | | | | 553 | 454 | 310 | --- | --- | --- | --- | --- | --- | | |
| BHP | 0.07 | | | | 0.08 | 0.08 | 0.09 | --- | --- | --- | --- | --- | --- | | |
| 24060 | 25 - 55 (14 - 31) | Low† | Blue | | CFM | 640 | 553 | 454 | 310 | --- | --- | --- | --- | --- | --- |
| | | | | | BHP | 0.07 | 0.08 | 0.08 | 0.09 | --- | --- | --- | --- | --- | --- |
| | | | | | Gas Heat Rise (°F) | NA | NA | NA | NA | NA | NA | NA | NA | NA | NA |
| | | | | | Gas Heat Rise (°C) | NA | NA | NA | NA | NA | NA | NA | NA | NA | NA |
| | | Med-Low | Pink | Alternate Cooling Alternate Heating | CFM | 830 | 758 | 688 | 607 | 514 | 393 | 254 | --- | --- | --- |
| | | | | | BHP | 0.12 | 0.13 | 0.13 | 0.13 | 0.14 | 0.14 | 0.15 | --- | --- | --- |
| | | | | | Gas Heat Rise (°F) | 54 | NA | NA | NA | NA | NA | NA | NA | NA | NA |
| | | | | | Gas Heat Rise (°C) | 30 | NA | NA | NA | NA | NA | NA | NA | NA | NA |
| | | Medium** | Red | Cooling Alternate Heating | CFM | 1080 | 1025 | 969 | 910 | 852 | 787 | 718 | 638 | 541 | 457 |
| | | | | | BHP | 0.21 | 0.22 | 0.23 | 0.23 | 0.24 | 0.24 | 0.25 | 0.25 | 0.26 | 0.27 |
| | | | | | Gas Heat Rise (°F) | 41 | 44 | 46 | 49 | 52 | NA | NA | NA | NA | NA |
| | | | | | Gas Heat Rise (°C) | 23 | 24 | 26 | 27 | 29 | NA | NA | NA | NA | NA |
| | | Med-High‡ | Orange | Heating Alternate Cooling | CFM | 1101 | 1046 | 993 | 936 | 878 | 816 | 749 | 676 | 599 | 498 |
| | | | | | BHP | 0.22 | 0.23 | 0.24 | 0.24 | 0.25 | 0.26 | 0.26 | 0.27 | 0.27 | 0.28 |
| | | | | | Gas Heat Rise (°F) | 41 | 43 | 45 | 48 | 51 | 55 | NA | NA | NA | NA |
| | | | | | Gas Heat Rise (°C) | 23 | 24 | 25 | 26 | 28 | 30 | NA | NA | NA | NA |
| | | High | Black | High Static Cooling Only | CFM | 1222 | 1173 | 1123 | 1072 | 1021 | 967 | 912 | 853 | 787 | 712 |
| | | | | | BHP | 0.29 | 0.29 | 0.30 | 0.31 | 0.31 | 0.32 | 0.33 | 0.34 | 0.34 | 0.34 |

Manufacturer reserves the right to change, at any time, specifications and designs without notice and without obligations.

Dry Coil Air Delivery* - Horizontal and Downflow Discharge Sizes 24-60 (Continued)

| Unit Size | Heating Rise °F (°C) | Motor Speed | Tap | Allowable Functions | ESP (in. W.C.) | | | | | | | | | | |
|-----------|----------------------|-----------------------------|--------|--|--------------------|------|------|------|------|------|------|------|------|------|------|
| | | | | | | 0.1 | 0.2 | 0.3 | 0.4 | 0.5 | 0.6 | 0.7 | 0.8 | 0.9 | 1 |
| 30040 | 25 - 55 (14 - 31) | Low† | Blue | Alternate Heating | CFM | 643 | 552 | 455 | 348 | 225 | --- | --- | --- | --- | --- |
| | | | | | BHP | 0.09 | 0.10 | 0.11 | 0.11 | 0.11 | --- | --- | --- | --- | --- |
| | | | | | Gas Heat Rise (°F) | 46 | 54 | NA | NA | NA | NA | NA | NA | NA | NA |
| | | | | | Gas Heat Rise (°C) | 26 | 30 | NA | NA | NA | NA | NA | NA | NA | NA |
| | | Med-Low | Pink | Heating Alternate Cooling | CFM | 817 | 744 | 673 | 597 | 516 | 431 | 325 | 190 | --- | --- |
| | | | | | BHP | 0.14 | 0.15 | 0.15 | 0.16 | 0.17 | 0.17 | 0.18 | 0.18 | --- | --- |
| | | | | | Gas Heat Rise (°F) | 36 | 40 | 44 | 50 | NA | NA | NA | NA | NA | NA |
| | | | | | Gas Heat Rise (°C) | 20 | 22 | 25 | 28 | NA | NA | NA | NA | NA | NA |
| | | Medium** | Red | Alternate Cooling Alternate Heating | CFM | 1159 | 1104 | 1045 | 990 | 937 | 878 | 821 | 759 | 693 | 618 |
| | | | | | BHP | 0.31 | 0.32 | 0.33 | 0.33 | 0.34 | 0.35 | 0.36 | 0.37 | 0.37 | 0.38 |
| | | | | | Gas Heat Rise (°F) | 26 | 27 | 28 | 30 | 32 | 34 | 36 | 39 | 43 | 48 |
| | | | | | Gas Heat Rise (°C) | 14 | 15 | 16 | 17 | 18 | 19 | 20 | 22 | 24 | 27 |
| | | Med-High‡ | Orange | Cooling Alternate Heating | CFM | 1201 | 1147 | 1095 | 1037 | 987 | 934 | 877 | 818 | 755 | 671 |
| | | | | | BHP | 0.34 | 0.35 | 0.36 | 0.37 | 0.37 | 0.38 | 0.39 | 0.40 | 0.41 | 0.40 |
| | | | | | Gas Heat Rise (°F) | 25 | 26 | 27 | 29 | 30 | 32 | 34 | 36 | 39 | 44 |
| | | | | | Gas Heat Rise (°C) | 14 | 14 | 15 | 16 | 17 | 18 | 19 | 20 | 22 | 25 |
| High | Black | High Static Cooling Only | CFM | 1291 | 1236 | 1181 | 1131 | 1080 | 1033 | 978 | 909 | 792 | 661 | | |
| | | | BHP | 0.41 | 0.42 | 0.43 | 0.43 | 0.44 | 0.45 | 0.46 | 0.45 | 0.43 | 0.40 | | |
| 30060 | 25 - 55 (14 - 31) | Low† | Blue | | CFM | 643 | 552 | 455 | 348 | 225 | --- | --- | --- | --- | |
| | | | | | BHP | 0.09 | 0.10 | 0.11 | 0.11 | 0.11 | --- | --- | --- | --- | |
| | | | | | Gas Heat Rise (°F) | NA | NA | NA | NA | NA | NA | NA | NA | NA | NA |
| | | | | | Gas Heat Rise (°C) | NA | NA | NA | NA | NA | NA | NA | NA | NA | NA |
| | | Med-Low | Pink | Alternate Cooling Alternate Heating | CFM | 817 | 744 | 673 | 597 | 516 | 431 | 325 | 190 | --- | --- |
| | | | | | BHP | 0.14 | 0.15 | 0.15 | 0.16 | 0.17 | 0.17 | 0.18 | 0.18 | --- | --- |
| | | | | | Gas Heat Rise (°F) | 55 | NA | NA | NA | NA | NA | NA | NA | NA | NA |
| | | | | | Gas Heat Rise (°C) | 30 | NA | NA | NA | NA | NA | NA | NA | NA | NA |
| | | Medium** | Red | Heating Alternate Cooling | CFM | 1159 | 1104 | 1045 | 990 | 937 | 878 | 821 | 759 | 693 | 618 |
| | | | | | BHP | 0.31 | 0.32 | 0.33 | 0.33 | 0.34 | 0.35 | 0.36 | 0.37 | 0.37 | 0.38 |
| | | | | | Gas Heat Rise (°F) | 39 | 40 | 43 | 45 | 48 | 51 | 54 | NA | NA | NA |
| | | | | | Gas Heat Rise (°C) | 21 | 22 | 24 | 25 | 26 | 28 | 30 | NA | NA | NA |
| | | Med-High‡ | Orange | Cooling Alternate Heating | CFM | 1201 | 1147 | 1095 | 1037 | 987 | 934 | 877 | 818 | 755 | 671 |
| | | | | | BHP | 0.34 | 0.35 | 0.36 | 0.37 | 0.37 | 0.38 | 0.39 | 0.40 | 0.41 | 0.40 |
| | | | | | Gas Heat Rise (°F) | 37 | 39 | 41 | 43 | 45 | 48 | 51 | 55 | NA | NA |
| | | | | | Gas Heat Rise (°C) | 21 | 22 | 23 | 24 | 25 | 27 | 28 | 30 | NA | NA |
| High | Black | High Static Cooling Only | CFM | 1291 | 1236 | 1181 | 1131 | 1080 | 1033 | 978 | 909 | 792 | 661 | | |
| | | | BHP | 0.41 | 0.42 | 0.43 | 0.43 | 0.44 | 0.45 | 0.46 | 0.45 | 0.43 | 0.40 | | |

Dry Coil Air Delivery* - Horizontal and Downflow Discharge Sizes 24-60 (Continued)

| Unit Size | Heating Rise °F (°C) | Motor Speed | Tap | Allowable Functions | ESP (in. W.C.) | | | | | | | | | | |
|-----------|----------------------|-----------------------------|--------|---|--------------------|------|------|------|------|------|------|------|------|------|------|
| | | | | | | 0.1 | 0.2 | 0.3 | 0.4 | 0.5 | 0.6 | 0.7 | 0.8 | 0.9 | 1 |
| 36060 | 25 - 55 (14 - 31) | Low† | Blue | Alternate Cooling, Alternate Gas Heating | CFM | 1096 | 1044 | 994 | 945 | 892 | 837 | 780 | 717 | 664 | 612 |
| | | | | | BHP | 0.14 | 0.15 | 0.16 | 0.18 | 0.19 | 0.19 | 0.20 | 0.21 | 0.22 | 0.23 |
| | | | | | Gas Heat Rise (°F) | 41 | 43 | 45 | 47 | 50 | 53 | NA | NA | NA | NA |
| | | | | | Gas Heat Rise (°C) | 23 | 24 | 25 | 26 | 28 | 30 | NA | NA | NA | NA |
| | | Med-Low | Pink | Gas Heating, Alternate Cooling | CFM | 1151 | 1103 | 1056 | 1002 | 953 | 897 | 845 | 788 | 729 | 678 |
| | | | | | BHP | 0.16 | 0.17 | 0.18 | 0.19 | 0.20 | 0.21 | 0.22 | 0.23 | 0.24 | 0.25 |
| | | | | | Gas Heat Rise (°F) | 39 | 40 | 42 | 45 | 47 | 50 | 53 | NA | NA | NA |
| | | | | | Gas Heat Rise (°C) | 22 | 22 | 23 | 25 | 26 | 28 | 29 | NA | NA | NA |
| | | Medium** | Red | Alternate Cooling, Alternate Gas Heating | CFM | 1299 | 1252 | 1204 | 1155 | 1106 | 1059 | 1007 | 959 | 905 | 844 |
| | | | | | BHP | 0.22 | 0.23 | 0.24 | 0.25 | 0.26 | 0.27 | 0.28 | 0.29 | 0.30 | 0.31 |
| | | | | | Gas Heat Rise (°F) | 34 | 36 | 37 | 39 | 40 | 42 | 44 | 47 | 49 | 53 |
| | | | | | Gas Heat Rise (°C) | 19 | 20 | 21 | 21 | 22 | 23 | 25 | 26 | 27 | 29 |
| | | Med-High‡ | Orange | Cooling, Alternate Gas Heating | CFM | 1382 | 1335 | 1292 | 1246 | 1202 | 1152 | 1106 | 1058 | 1007 | 957 |
| | | | | | BHP | 0.26 | 0.27 | 0.28 | 0.29 | 0.30 | 0.31 | 0.32 | 0.33 | 0.34 | 0.35 |
| | | | | | Gas Heat Rise (°F) | 32 | 33 | 35 | 36 | 37 | 39 | 40 | 42 | 44 | 47 |
| | | | | | Gas Heat Rise (°C) | 18 | 19 | 19 | 20 | 21 | 22 | 22 | 23 | 25 | 26 |
| High | Black | High Static Cooling Only | CFM | 1530 | 1485 | 1442 | 1398 | 1354 | 1309 | 1263 | 1217 | 1169 | 1120 | | |
| | | | BHP | 0.33 | 0.35 | 0.36 | 0.37 | 0.38 | 0.39 | 0.40 | 0.41 | 0.42 | 0.43 | | |
| 36090 | 35 - 65 (19 - 36) | Low† | Blue | Alternate Cooling, Alternate Gas Heating | CFM | 1096 | 1044 | 994 | 945 | 892 | 837 | 780 | 717 | 664 | 612 |
| | | | | | BHP | 0.14 | 0.15 | 0.16 | 0.18 | 0.19 | 0.19 | 0.20 | 0.21 | 0.22 | 0.23 |
| | | | | | Gas Heat Rise (°F) | 61 | 64 | NA | NA | NA | NA | NA | NA | NA | NA |
| | | | | | Gas Heat Rise (°C) | 34 | 36 | NA | NA | NA | NA | NA | NA | NA | NA |
| | | Med-Low | Pink | Alternate Cooling, Alternate Gas Heating | CFM | 1151 | 1103 | 1056 | 1002 | 953 | 897 | 845 | 788 | 729 | 678 |
| | | | | | BHP | 0.16 | 0.17 | 0.18 | 0.19 | 0.20 | 0.21 | 0.22 | 0.23 | 0.24 | 0.25 |
| | | | | | Gas Heat Rise (°F) | 58 | 61 | 63 | NA | NA | NA | NA | NA | NA | NA |
| | | | | | Gas Heat Rise (°C) | 32 | 34 | 35 | NA | NA | NA | NA | NA | NA | NA |
| | | Medium** | Red | Gas Heating, Alternate Cooling | CFM | 1299 | 1252 | 1204 | 1155 | 1106 | 1059 | 1007 | 959 | 905 | 844 |
| | | | | | BHP | 0.22 | 0.23 | 0.24 | 0.25 | 0.26 | 0.27 | 0.28 | 0.29 | 0.30 | 0.31 |
| | | | | | Gas Heat Rise (°F) | 52 | 53 | 56 | 58 | 61 | 63 | NA | NA | NA | NA |
| | | | | | Gas Heat Rise (°C) | 29 | 30 | 31 | 32 | 34 | 35 | NA | NA | NA | NA |
| | | Med-High‡ | Orange | Cooling, Alternate Gas Heating | CFM | 1382 | 1335 | 1292 | 1246 | 1202 | 1152 | 1106 | 1058 | 1007 | 957 |
| | | | | | BHP | 0.26 | 0.27 | 0.28 | 0.29 | 0.30 | 0.31 | 0.32 | 0.33 | 0.34 | 0.35 |
| | | | | | Gas Heat Rise (°F) | 48 | 50 | 52 | 54 | 56 | 58 | 61 | 63 | NA | NA |
| | | | | | Gas Heat Rise (°C) | 27 | 28 | 29 | 30 | 31 | 32 | 34 | 35 | NA | NA |
| High | Black | High Static Cooling Only | CFM | 1530 | 1485 | 1442 | 1398 | 1354 | 1309 | 1263 | 1217 | 1169 | 1120 | | |
| | | | BHP | 0.33 | 0.35 | 0.36 | 0.37 | 0.38 | 0.39 | 0.40 | 0.41 | 0.42 | 0.43 | | |

Dry Coil Air Delivery* - Horizontal and Downflow Discharge Sizes 24-60 (Continued)

| Unit Size | Heating Rise °F (°C) | Motor Speed | Tap | Allowable Functions | ESP (in. W.C.) | | | | | | | | | | |
|-----------|----------------------|-----------------------------|--------|--|--------------------|------|------|------|------|------|------|------|------|------|------|
| | | | | | | 0.1 | 0.2 | 0.3 | 0.4 | 0.5 | 0.6 | 0.7 | 0.8 | 0.9 | 1 |
| 42060 | 25 - 55 (14 - 31) | Low† | Blue | Alternate Heating | CFM | 956 | 899 | 843 | 786 | 729 | 676 | 621 | 558 | 504 | 435 |
| | | | | | BHP | 0.13 | 0.13 | 0.14 | 0.15 | 0.16 | 0.16 | 0.17 | 0.18 | 0.18 | 0.19 |
| | | | | | Gas Heat Rise (°F) | 47 | 50 | 53 | NA | NA | NA | NA | NA | NA | NA |
| | | | | | Gas Heat Rise (°C) | 26 | 28 | 29 | NA | NA | NA | NA | NA | NA | NA |
| | | Med-Low | Pink | Heating Alternate Cooling | CFM | 1201 | 1153 | 1107 | 1060 | 1012 | 965 | 917 | 871 | 828 | 782 |
| | | | | | BHP | 0.21 | 0.22 | 0.22 | 0.23 | 0.24 | 0.25 | 0.26 | 0.27 | 0.28 | 0.29 |
| | | | | | Gas Heat Rise (°F) | 37 | 39 | 40 | 42 | 44 | 46 | 49 | 51 | 54 | NA |
| | | | | | Gas Heat Rise (°C) | 21 | 22 | 22 | 23 | 25 | 26 | 27 | 28 | 30 | NA |
| | | Medium** | Red | Alternate Cooling Alternate Heating | CFM | 1443 | 1402 | 1361 | 1322 | 1284 | 1243 | 1204 | 1164 | 1124 | 1084 |
| | | | | | BHP | 0.32 | 0.33 | 0.34 | 0.35 | 0.36 | 0.37 | 0.38 | 0.39 | 0.40 | 0.42 |
| | | | | | Gas Heat Rise (°F) | 31 | 32 | 33 | 34 | 35 | 36 | 37 | 38 | 40 | 41 |
| | | | | | Gas Heat Rise (°C) | 17 | 18 | 18 | 19 | 19 | 20 | 21 | 21 | 22 | 23 |
| | | Med-High‡ | Orange | Cooling Alternate Heating | CFM | 1529 | 1491 | 1451 | 1411 | 1376 | 1338 | 1300 | 1261 | 1223 | 1185 |
| | | | | | BHP | 0.37 | 0.39 | 0.40 | 0.41 | 0.42 | 0.43 | 0.44 | 0.45 | 0.46 | 0.47 |
| | | | | | Gas Heat Rise (°F) | 29 | 30 | 31 | 32 | 32 | 33 | 34 | 35 | 36 | 38 |
| | | | | | Gas Heat Rise (°C) | 16 | 17 | 17 | 18 | 18 | 19 | 19 | 20 | 20 | 21 |
| High | Black | High Static Cooling Only | CFM | 1604 | 1565 | 1529 | 1490 | 1455 | 1421 | 1385 | 1348 | 1310 | 1274 | | |
| | | | BHP | 0.42 | 0.44 | 0.45 | 0.46 | 0.47 | 0.48 | 0.49 | 0.50 | 0.51 | 0.52 | | |
| 42090 | 35 - 65 (19 - 36) | Low† | Blue | | CFM | 956 | 899 | 843 | 786 | 729 | 676 | 621 | 558 | 504 | 435 |
| | | | | | BHP | 0.13 | 0.13 | 0.14 | 0.15 | 0.16 | 0.16 | 0.17 | 0.18 | 0.18 | 0.19 |
| | | | | | Gas Heat Rise (°F) | NA | NA | NA | NA | NA | NA | NA | NA | NA | NA |
| | | | | | Gas Heat Rise (°C) | NA | NA | NA | NA | NA | NA | NA | NA | NA | NA |
| | | Med-Low | Pink | Alternate Cooling Alternate Heating | CFM | 1201 | 1153 | 1107 | 1060 | 1012 | 965 | 917 | 871 | 828 | 782 |
| | | | | | BHP | 0.21 | 0.22 | 0.22 | 0.23 | 0.24 | 0.25 | 0.26 | 0.27 | 0.28 | 0.29 |
| | | | | | Gas Heat Rise (°F) | 56 | 58 | 60 | 63 | NA | NA | NA | NA | NA | NA |
| | | | | | Gas Heat Rise (°C) | 31 | 32 | 34 | 35 | NA | NA | NA | NA | NA | NA |
| | | Medium** | Red | Heating Alternate Cooling | CFM | 1443 | 1402 | 1361 | 1322 | 1284 | 1243 | 1204 | 1164 | 1124 | 1084 |
| | | | | | BHP | 0.32 | 0.33 | 0.34 | 0.35 | 0.36 | 0.37 | 0.38 | 0.39 | 0.40 | 0.42 |
| | | | | | Gas Heat Rise (°F) | 46 | 48 | 49 | 51 | 52 | 54 | 56 | 58 | 60 | 62 |
| | | | | | Gas Heat Rise (°C) | 26 | 27 | 27 | 28 | 29 | 30 | 31 | 32 | 33 | 34 |
| | | Med-High‡ | Orange | Cooling Alternate Heating | CFM | 1529 | 1491 | 1451 | 1411 | 1376 | 1338 | 1300 | 1261 | 1223 | 1185 |
| | | | | | BHP | 0.37 | 0.39 | 0.40 | 0.41 | 0.42 | 0.43 | 0.44 | 0.45 | 0.46 | 0.47 |
| | | | | | Gas Heat Rise (°F) | 44 | 45 | 46 | 47 | 49 | 50 | 52 | 53 | 55 | 57 |
| | | | | | Gas Heat Rise (°C) | 24 | 25 | 26 | 26 | 27 | 28 | 29 | 29 | 30 | 31 |
| High | Black | High Static Cooling Only | CFM | 1604 | 1565 | 1529 | 1490 | 1455 | 1421 | 1385 | 1348 | 1310 | 1274 | | |
| | | | BHP | 0.42 | 0.44 | 0.45 | 0.46 | 0.47 | 0.48 | 0.49 | 0.50 | 0.51 | 0.52 | | |

Manufacturer reserves the right to change, at any time, specifications and designs without notice and without obligations.

Dry Coil Air Delivery* - Horizontal and Downflow Discharge Sizes 24-60 (Continued)

| Unit Size | Heating Rise °F (°C) | Motor Speed | Tap | Allowable Functions | ESP (in. W.C.) | | | | | | | | | | |
|-----------|----------------------|-----------------------------|--------|--|--------------------|------|------|------|------|------|------|------|------|------|------|
| | | | | | | 0.1 | 0.2 | 0.3 | 0.4 | 0.5 | 0.6 | 0.7 | 0.8 | 0.9 | 1 |
| 48090 | 35 - 65 (19 - 36) | Low† | Blue | | CFM | 641 | 551 | 462 | 385 | 289 | 216 | 163 | 115 | --- | --- |
| | | | | | BHP | 0.05 | 0.06 | 0.06 | 0.07 | 0.07 | 0.08 | 0.08 | 0.09 | --- | --- |
| | | | | | Gas Heat Rise (°F) | NA | NA | NA | NA | NA | NA | NA | NA | NA | NA |
| | | | | | Gas Heat Rise (°C) | NA | NA | NA | NA | NA | NA | NA | NA | NA | NA |
| | | Med-Low‡ | Pink | Heating Alternate Cooling | CFM | 1437 | 1395 | 1351 | 1307 | 1265 | 1221 | 1176 | 1132 | 1084 | 1039 |
| | | | | | BHP | 0.29 | 0.30 | 0.31 | 0.32 | 0.33 | 0.34 | 0.35 | 0.36 | 0.37 | 0.38 |
| | | | | | Gas Heat Rise (°F) | 47 | 48 | 50 | 51 | 53 | 55 | 57 | 59 | 62 | 64 |
| | | | | | Gas Heat Rise (°C) | 26 | 27 | 28 | 28 | 29 | 30 | 32 | 33 | 34 | 36 |
| | | Medium** | Red | Cooling | CFM | 1771 | 1735 | 1699 | 1664 | 1627 | 1592 | 1557 | 1522 | 1486 | 1450 |
| | | | | | BHP | 0.51 | 0.52 | 0.53 | 0.55 | 0.56 | 0.57 | 0.58 | 0.59 | 0.61 | 0.62 |
| | | | | | Gas Heat Rise (°F) | NA | NA | NA | NA | NA | NA | NA | NA | NA | NA |
| | | | | | Gas Heat Rise (°C) | NA | NA | NA | NA | NA | NA | NA | NA | NA | NA |
| | | Med-High | Orange | Alternate Cooling | CFM | 1928 | 1897 | 1862 | 1830 | 1796 | 1764 | 1732 | 1698 | 1620 | 1512 |
| | | | | | BHP | 0.64 | 0.65 | 0.67 | 0.68 | 0.69 | 0.71 | 0.72 | 0.73 | 0.71 | 0.66 |
| | | | | | Gas Heat Rise (°F) | NA | NA | NA | NA | NA | NA | NA | NA | NA | NA |
| | | | | | Gas Heat Rise (°C) | NA | NA | NA | NA | NA | NA | NA | NA | NA | NA |
| High | Black | High Static Cooling Only | CFM | 2212 | 2167 | 2124 | 2061 | 1976 | 1892 | 1794 | 1699 | 1567 | 1438 | | |
| | | | BHP | 0.97 | 0.99 | 1.00 | 0.97 | 0.95 | 0.91 | 0.86 | 0.82 | 0.77 | 0.71 | | |
| 48115 | 30 - 60 (17 - 33) | Low† | Blue | | CFM | 641 | 551 | 462 | 385 | 289 | 216 | 163 | 115 | --- | --- |
| | | | | | BHP | 0.05 | 0.06 | 0.06 | 0.07 | 0.07 | 0.08 | 0.08 | 0.09 | --- | --- |
| | | | | | Gas Heat Rise (°F) | NA | NA | NA | NA | NA | NA | NA | NA | NA | NA |
| | | | | | Gas Heat Rise (°C) | NA | NA | NA | NA | NA | NA | NA | NA | NA | NA |
| | | Med-Low | Pink | Alternate Cooling Alternate Heating | CFM | 1437 | 1395 | 1351 | 1307 | 1265 | 1221 | 1176 | 1132 | 1084 | 1039 |
| | | | | | BHP | 0.29 | 0.30 | 0.31 | 0.32 | 0.33 | 0.34 | 0.35 | 0.36 | 0.37 | 0.38 |
| | | | | | Gas Heat Rise (°F) | 60 | NA | NA | NA | NA | NA | NA | NA | NA | NA |
| | | | | | Gas Heat Rise (°C) | 33 | NA | NA | NA | NA | NA | NA | NA | NA | NA |
| | | Medium** | Red | Cooling Alternate Heating | CFM | 1771 | 1735 | 1699 | 1664 | 1627 | 1592 | 1557 | 1522 | 1486 | 1450 |
| | | | | | BHP | 0.51 | 0.52 | 0.53 | 0.55 | 0.56 | 0.57 | 0.58 | 0.59 | 0.61 | 0.62 |
| | | | | | Gas Heat Rise (°F) | 48 | 49 | 50 | 51 | 53 | 54 | 55 | 56 | 58 | 59 |
| | | | | | Gas Heat Rise (°C) | 27 | 27 | 28 | 29 | 29 | 30 | 31 | 31 | 32 | 33 |
| | | Med-High‡ | Orange | Heating Alternate Cooling | CFM | 1928 | 1897 | 1862 | 1830 | 1796 | 1764 | 1732 | 1698 | 1620 | 1512 |
| | | | | | BHP | 0.64 | 0.65 | 0.67 | 0.68 | 0.69 | 0.71 | 0.72 | 0.73 | 0.71 | 0.66 |
| | | | | | Gas Heat Rise (°F) | 44 | 45 | 46 | 47 | 48 | 49 | 49 | 50 | 53 | 57 |
| | | | | | Gas Heat Rise (°C) | 25 | 25 | 26 | 26 | 26 | 27 | 27 | 28 | 29 | 31 |
| High | Black | High Static Cooling Only | CFM | 2212 | 2167 | 2124 | 2061 | 1976 | 1892 | 1794 | 1699 | 1567 | 1438 | | |
| | | | BHP | 0.97 | 0.99 | 1.00 | 0.97 | 0.95 | 0.91 | 0.86 | 0.82 | 0.77 | 0.71 | | |

Manufacturer reserves the right to change, at any time, specifications and designs without notice and without obligations.

Dry Coil Air Delivery* - Horizontal and Downflow Discharge Sizes 24-60 (Continued)

| Unit Size | Heating Rise °F (°C) | Motor Speed | Tap | Allowable Functions | ESP (in. W.C.) | | | | | | | | | | |
|-----------|----------------------|-----------------------------|--------|------------------------------|--------------------|------|------|------|------|------|------|------|------|------|------|
| | | | | | | 0.1 | 0.2 | 0.3 | 0.4 | 0.5 | 0.6 | 0.7 | 0.8 | 0.9 | 1 |
| 48130 | 35 - 65 (19 - 36) | Low† | Blue | | CFM | 641 | 551 | 462 | 385 | 289 | 216 | 163 | 115 | --- | --- |
| | | | | | BHP | 0.05 | 0.06 | 0.06 | 0.07 | 0.07 | 0.08 | 0.08 | 0.09 | --- | --- |
| | | | | | Gas Heat Rise (°F) | NA | NA | NA | NA | NA | NA | NA | NA | NA | NA |
| | | | | | Gas Heat Rise (°C) | NA | NA | NA | NA | NA | NA | NA | NA | NA | NA |
| | | Med-Low | Pink | Alternate Cooling | CFM | 1437 | 1395 | 1351 | 1307 | 1265 | 1221 | 1176 | 1132 | 1084 | 1039 |
| | | | | | BHP | 0.29 | 0.30 | 0.31 | 0.32 | 0.33 | 0.34 | 0.35 | 0.36 | 0.37 | 0.38 |
| | | | | | Gas Heat Rise (°F) | NA | NA | NA | NA | NA | NA | NA | NA | NA | NA |
| | | | | | Gas Heat Rise (°C) | NA | NA | NA | NA | NA | NA | NA | NA | NA | NA |
| | | Medium** | Red | Cooling Alternate Heating | CFM | 1771 | 1735 | 1699 | 1664 | 1627 | 1592 | 1557 | 1522 | 1486 | 1450 |
| | | | | | BHP | 0.51 | 0.52 | 0.53 | 0.55 | 0.56 | 0.57 | 0.58 | 0.59 | 0.61 | 0.62 |
| | | | | | Gas Heat Rise (°F) | 53 | 54 | 56 | 57 | 58 | 59 | 61 | 62 | 64 | 65 |
| | | | | | Gas Heat Rise (°C) | 30 | 30 | 31 | 32 | 32 | 33 | 34 | 34 | 35 | 36 |
| | | Med-High‡ | Orange | Heating Alternate Cooling | CFM | 1928 | 1897 | 1862 | 1830 | 1796 | 1764 | 1732 | 1698 | 1620 | 1512 |
| | | | | | BHP | 0.64 | 0.65 | 0.67 | 0.68 | 0.69 | 0.71 | 0.72 | 0.73 | 0.71 | 0.66 |
| | | | | | Gas Heat Rise (°F) | 49 | 50 | 51 | 52 | 53 | 54 | 55 | 56 | 58 | 62 |
| | | | | | Gas Heat Rise (°C) | 27 | 28 | 28 | 29 | 29 | 30 | 30 | 31 | 32 | 35 |
| High | Black | High Static Cooling Only | CFM | 2212 | 2167 | 2124 | 2061 | 1976 | 1892 | 1794 | 1699 | 1567 | 1438 | | |
| | | | BHP | 0.97 | 0.99 | 1.00 | 0.97 | 0.95 | 0.91 | 0.86 | 0.82 | 0.77 | 0.71 | | |
| 60090 | 35 - 65 (19 - 36) | Low† | Blue | | CFM | 641 | 551 | 462 | 385 | 289 | 216 | 163 | 115 | --- | --- |
| | | | | | BHP | 0.05 | 0.06 | 0.06 | 0.07 | 0.07 | 0.08 | 0.08 | 0.09 | --- | --- |
| | | | | | Gas Heat Rise (°F) | NA | NA | NA | NA | NA | NA | NA | NA | NA | NA |
| | | | | | Gas Heat Rise (°C) | NA | NA | NA | NA | NA | NA | NA | NA | NA | NA |
| | | Med-Low‡ | Pink | Heating Alternate Cooling | CFM | 1437 | 1395 | 1351 | 1307 | 1265 | 1221 | 1176 | 1132 | 1084 | 1039 |
| | | | | | BHP | 0.29 | 0.30 | 0.31 | 0.32 | 0.33 | 0.34 | 0.35 | 0.36 | 0.37 | 0.38 |
| | | | | | Gas Heat Rise (°F) | 47 | 48 | 50 | 51 | 53 | 55 | 57 | 59 | 62 | 64 |
| | | | | | Gas Heat Rise (°C) | 26 | 27 | 28 | 28 | 29 | 30 | 32 | 33 | 34 | 36 |
| | | Medium** | Red | Cooling | CFM | 1914 | 1881 | 1848 | 1814 | 1780 | 1748 | 1716 | 1681 | 1619 | 1512 |
| | | | | | BHP | 0.62 | 0.64 | 0.65 | 0.67 | 0.68 | 0.69 | 0.71 | 0.72 | 0.71 | 0.66 |
| | | | | | Gas Heat Rise (°F) | NA | NA | NA | NA | NA | NA | NA | NA | NA | NA |
| | | | | | Gas Heat Rise (°C) | NA | NA | NA | NA | NA | NA | NA | NA | NA | NA |
| | | Med-High | Orange | Alternate Cooling | CFM | 1928 | 1897 | 1862 | 1830 | 1796 | 1764 | 1732 | 1698 | 1620 | 1512 |
| | | | | | BHP | 0.64 | 0.65 | 0.67 | 0.68 | 0.69 | 0.71 | 0.72 | 0.73 | 0.71 | 0.66 |
| | | | | | Gas Heat Rise (°F) | NA | NA | NA | NA | NA | NA | NA | NA | NA | NA |
| | | | | | Gas Heat Rise (°C) | NA | NA | NA | NA | NA | NA | NA | NA | NA | NA |
| High | Black | High Static Cooling Only | CFM | 2212 | 2167 | 2124 | 2061 | 1976 | 1892 | 1794 | 1699 | 1567 | 1438 | | |
| | | | BHP | 0.97 | 0.99 | 1.00 | 0.97 | 0.95 | 0.91 | 0.86 | 0.82 | 0.77 | 0.71 | | |

Manufacturer reserves the right to change, at any time, specifications and designs without notice and without obligations.

Dry Coil Air Delivery* - Horizontal and Downflow Discharge Sizes 24-60 (Continued)

| Unit Size | Heating Rise °F (°C) | Motor Speed | Tap | Allowable Functions | ESP (in. W.C.) | | | | | | | | | | |
|-----------|----------------------|-----------------------------|------------------------------|--|--------------------|------|------|------|------|------|------|------|------|------|------|
| | | | | | | 0.1 | 0.2 | 0.3 | 0.4 | 0.5 | 0.6 | 0.7 | 0.8 | 0.9 | 1 |
| 60115 | 30 - 60 (17 - 33) | Low† | Blue | | CFM | 641 | 551 | 462 | 385 | 289 | 216 | 163 | 115 | --- | --- |
| | | | | | BHP | 0.05 | 0.06 | 0.06 | 0.07 | 0.07 | 0.08 | 0.08 | 0.09 | --- | --- |
| | | | | | Gas Heat Rise (°F) | NA | NA | NA | NA | NA | NA | NA | NA | NA | NA |
| | | | | | Gas Heat Rise (°C) | NA | NA | NA | NA | NA | NA | NA | NA | NA | NA |
| | | Med-Low | Pink | Alternate Cooling Alternate Heating | CFM | 1437 | 1395 | 1351 | 1307 | 1265 | 1221 | 1176 | 1132 | 1084 | 1039 |
| | | | | | BHP | 0.29 | 0.30 | 0.31 | 0.32 | 0.33 | 0.34 | 0.35 | 0.36 | 0.37 | 0.38 |
| | | | | | Gas Heat Rise (°F) | 60 | NA | NA | NA | NA | NA | NA | NA | NA | NA |
| | | | | | Gas Heat Rise (°C) | 33 | NA | NA | NA | NA | NA | NA | NA | NA | NA |
| | | Medium** | Red | Cooling Alternate Heating | CFM | 1914 | 1881 | 1848 | 1814 | 1780 | 1748 | 1716 | 1681 | 1619 | 1512 |
| | | | | | BHP | 0.62 | 0.64 | 0.65 | 0.67 | 0.68 | 0.69 | 0.71 | 0.72 | 0.71 | 0.66 |
| | | | | | Gas Heat Rise (°F) | 45 | 45 | 46 | 47 | 48 | 49 | 50 | 51 | 53 | 57 |
| | | | | | Gas Heat Rise (°C) | 25 | 25 | 26 | 26 | 27 | 27 | 28 | 28 | 29 | 31 |
| | Med-High‡ | Orange | Heating Alternate Cooling | CFM | 1928 | 1897 | 1862 | 1830 | 1796 | 1764 | 1732 | 1698 | 1620 | 1512 | |
| | | | | BHP | 0.64 | 0.65 | 0.67 | 0.68 | 0.69 | 0.71 | 0.72 | 0.73 | 0.71 | 0.66 | |
| | | | | Gas Heat Rise (°F) | 44 | 45 | 46 | 47 | 48 | 49 | 49 | 50 | 53 | 57 | |
| | | | | Gas Heat Rise (°C) | 25 | 25 | 26 | 26 | 26 | 27 | 27 | 28 | 29 | 31 | |
| High | Black | High Static Cooling Only | CFM | 2212 | 2167 | 2124 | 2061 | 1976 | 1892 | 1794 | 1699 | 1567 | 1438 | | |
| | | | BHP | 0.97 | 0.99 | 1.00 | 0.97 | 0.95 | 0.91 | 0.86 | 0.82 | 0.77 | 0.71 | | |
| 60130 | 35 - 65 (19 - 36) | Low† | Blue | | CFM | 641 | 551 | 462 | 385 | 289 | 216 | 163 | 115 | --- | --- |
| | | | | | BHP | 0.05 | 0.06 | 0.06 | 0.07 | 0.07 | 0.08 | 0.08 | 0.09 | --- | --- |
| | | | | | Gas Heat Rise (°F) | NA | NA | NA | NA | NA | NA | NA | NA | NA | NA |
| | | | | | Gas Heat Rise (°C) | NA | NA | NA | NA | NA | NA | NA | NA | NA | NA |
| | | Med-Low | Pink | Alternate Cooling | CFM | 1437 | 1395 | 1351 | 1307 | 1265 | 1221 | 1176 | 1132 | 1084 | 1039 |
| | | | | | BHP | 0.29 | 0.30 | 0.31 | 0.32 | 0.33 | 0.34 | 0.35 | 0.36 | 0.37 | 0.38 |
| | | | | | Gas Heat Rise (°F) | NA | NA | NA | NA | NA | NA | NA | NA | NA | NA |
| | | | | | Gas Heat Rise (°C) | NA | NA | NA | NA | NA | NA | NA | NA | NA | NA |
| | | Medium** | Red | Cooling Alternate Heating | CFM | 1914 | 1881 | 1848 | 1814 | 1780 | 1748 | 1716 | 1681 | 1619 | 1512 |
| | | | | | BHP | 0.62 | 0.64 | 0.65 | 0.67 | 0.68 | 0.69 | 0.71 | 0.72 | 0.71 | 0.66 |
| | | | | | Gas Heat Rise (°F) | 49 | 50 | 51 | 52 | 53 | 54 | 55 | 56 | 58 | 62 |
| | | | | | Gas Heat Rise (°C) | 27 | 28 | 28 | 29 | 29 | 30 | 31 | 31 | 32 | 35 |
| | Med-High‡ | Orange | Heating Alternate Cooling | CFM | 1928 | 1897 | 1862 | 1830 | 1796 | 1764 | 1732 | 1698 | 1620 | 1512 | |
| | | | | BHP | 0.64 | 0.65 | 0.67 | 0.68 | 0.69 | 0.71 | 0.72 | 0.73 | 0.71 | 0.66 | |
| | | | | Gas Heat Rise (°F) | 49 | 50 | 51 | 52 | 53 | 54 | 55 | 56 | 58 | 62 | |
| | | | | Gas Heat Rise (°C) | 27 | 28 | 28 | 29 | 29 | 30 | 30 | 31 | 32 | 35 | |
| High | Black | High Static Cooling Only | CFM | 2212 | 2167 | 2124 | 2061 | 1976 | 1892 | 1794 | 1699 | 1567 | 1438 | | |
| | | | BHP | 0.97 | 0.99 | 1.00 | 0.97 | 0.95 | 0.91 | 0.86 | 0.82 | 0.77 | 0.71 | | |

Shaded areas indicate speed/static combinations that are not permitted for dehumidification speed.

* Air delivery values are without air filter and are for dry coil (See Wet Coil Pressure Drop Table).

† Factory-shipped continuous fan speed

‡ Factory-shipped heating speed

** Factory-shipped cooling speed

"High Static Cooling" = Only to be used for cooling function (not allowed for heating function)

NOTE: Duct field-supplied air filter pressure drop and wet coil pressure drop to obtain static pressure available for ducting.

Manufacturer reserves the right to change, at any time, specifications and designs without notice and without obligations.

Wet Coil Pressure Drop (IN.W.C)

| Unit Size | Standard CFM (SCFM) | | | | | | | | | | | | | | | | | |
|-----------|---------------------|------|------|------|------|------|------|------|------|------|------|------|------|------|------|------|------|--|
| | 600 | 700 | 800 | 900 | 1000 | 1100 | 1200 | 1300 | 1400 | 1500 | 1600 | 1700 | 1800 | 1900 | 2000 | 2100 | 2200 | |
| 24 | 0.03 | 0.04 | 0.04 | 0.05 | 0.06 | | | | | | | | | | | | | |
| 30 | | | | 0.05 | 0.06 | 0.07 | 0.08 | 0.11 | | | | | | | | | | |
| 36 | | | | 0.02 | 0.03 | 0.03 | 0.04 | 0.05 | 0.05 | | | | | | | | | |
| 42 | | | | | 0.05 | 0.05 | 0.04 | 0.05 | 0.05 | 0.06 | 0.07 | 0.07 | 0.08 | 0.09 | | | | |
| 48, 60 | | | | | | | | | 0.05 | 0.06 | 0.07 | 0.07 | 0.08 | 0.09 | 0.10 | 0.12 | 0.13 | |

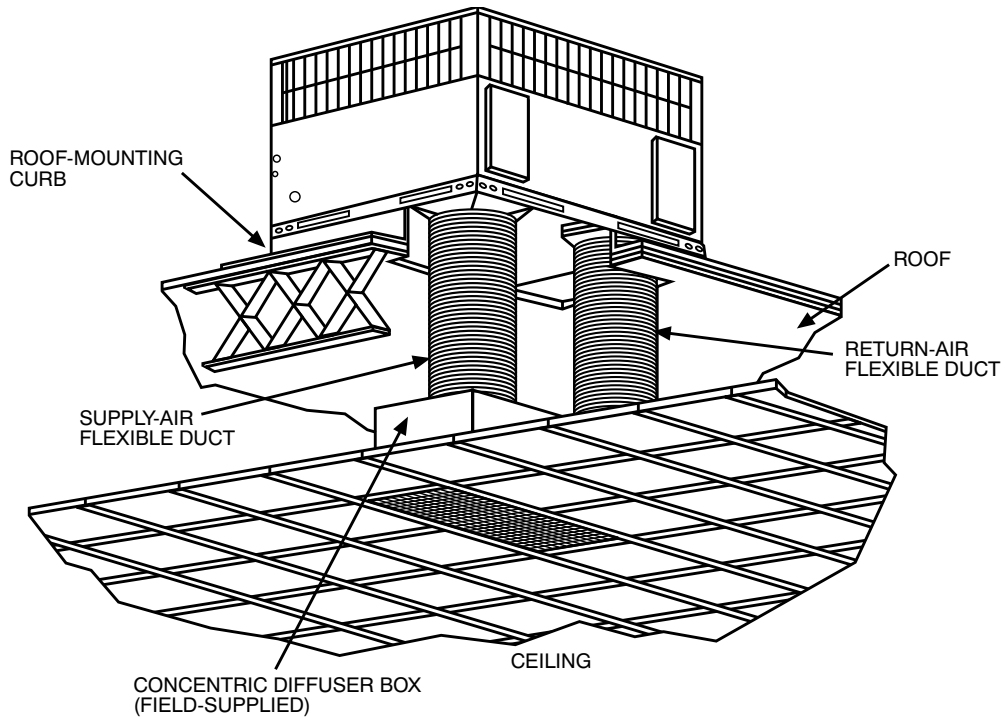
Economizer with 1-in. Filter Pressure Drop (IN. W.C.)

| Filter Size in. (mm) | Cooling Tons | Standard CFM (SCFM) | | | | | | | | | | | | | | | | | |
|---|---------------------|---------------------|-----|------|------|------|------|------|------|------|------|------|------|------|------|------|------|------|--|
| | | 600 | 700 | 800 | 900 | 1000 | 1100 | 1200 | 1300 | 1400 | 1500 | 1600 | 1700 | 1800 | 1900 | 2000 | 2100 | 2200 | |
| 600-1400 CFM 12x20x1+12x20x1 (305x508x25+305x508x25) | 2.0, 2.5 | - | - | 0.09 | 0.14 | 0.16 | 0.18 | 0.25 | 0.28 | 0.30 | - | - | - | - | - | - | - | - | |
| 1200-1800 CFM 16x24x1+14x24x1 (406x610x25+356x610x25) | 3.5 | - | - | - | - | - | - | 0.10 | 0.11 | 0.12 | 0.13 | 0.14 | 0.16 | 0.16 | - | - | - | - | |
| 1500-2200 CFM 16x24x1+18x24x1 (406x610x25+457x610x25) | 3.0, 4.0, 5.0 | - | - | - | - | - | - | - | - | - | 0.15 | 0.17 | 0.18 | 0.20 | 0.21 | 0.22 | 0.23 | 0.23 | |

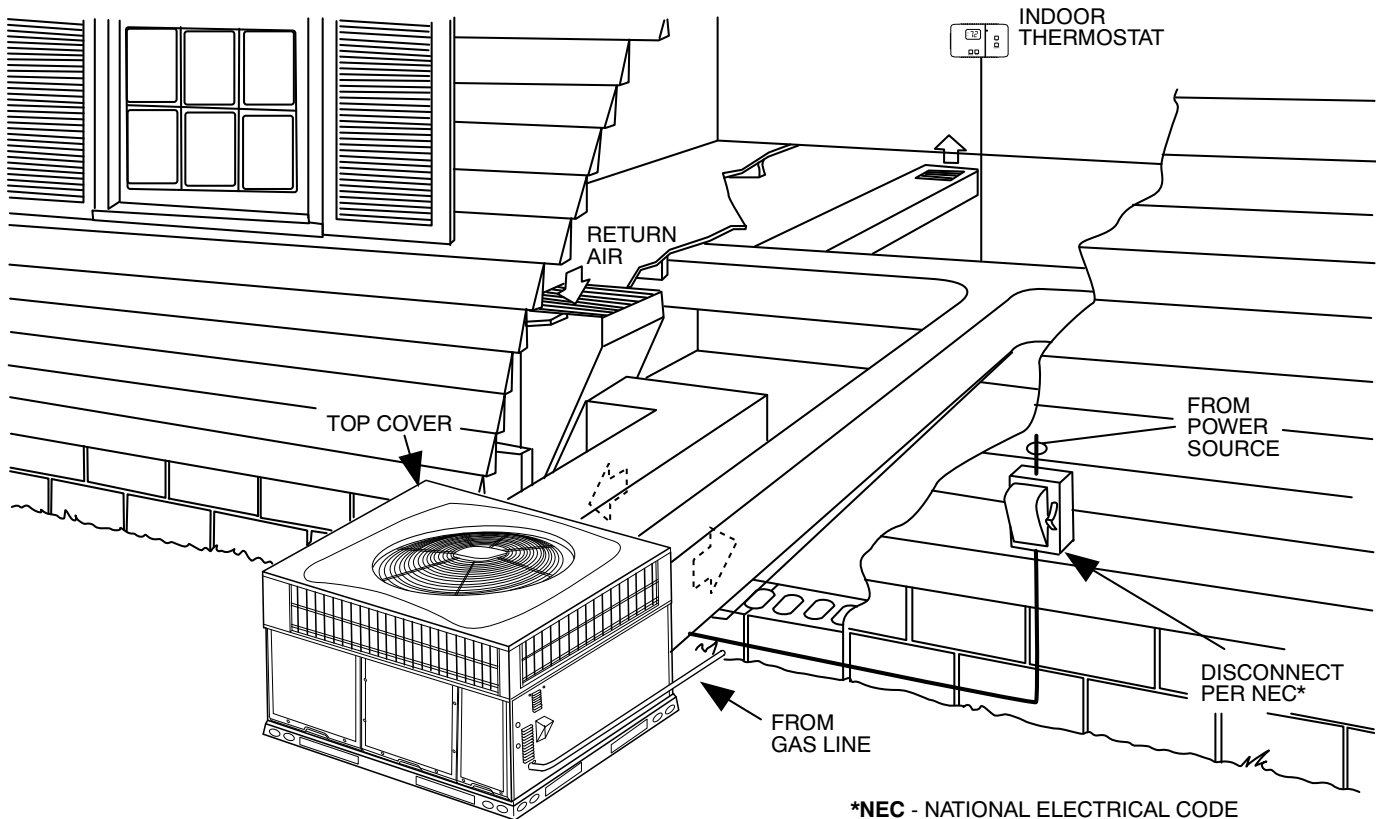
Filter Pressure Drop Table (IN. W.C.)

| Filter Size in. (mm) | Cooling Tons | Standard CFM (SCFM) | | | | | | | | | | | | | | | | | |
|---|---------------------|---------------------|------|------|------|------|------|------|------|------|------|------|------|------|------|------|------|------|--|
| | | 600 | 700 | 800 | 900 | 1000 | 1100 | 1200 | 1300 | 1400 | 1500 | 1600 | 1700 | 1800 | 1900 | 2000 | 2100 | 2200 | |
| 600-1400 CFM 12x20x1+12x20x1 (305x508x25+305x508x25) | 2.0, 2.5 | 0.03 | 0.05 | 0.06 | 0.08 | 0.10 | 0.11 | 0.13 | 0.14 | 0.16 | - | - | - | - | - | - | - | - | |
| 1200-1800 CFM 16x24x1+14x24x1 (406x610x25+356x610x25) | 3.5 | - | - | - | - | - | - | 0.07 | 0.08 | 0.09 | 0.09 | 0.10 | 0.11 | 0.12 | - | - | - | - | |
| 1500-2200 CFM 16x24x1+18x24x1 (406x610x25+457x610x25) | 3.0, 4.0, 5.0 | - | - | - | - | - | - | - | - | - | 0.04 | 0.06 | 0.08 | 0.10 | 0.11 | 0.13 | 0.14 | 0.15 | |

TYPICAL PIPING AND WIRING



A09230



A09231

Application Data

Condensate trap — A 2-in. (50.8 mm) condensate trap must be field supplied.

Ductwork — Secure downflow discharge ductwork to roof curb. For horizontal discharge applications, attach ductwork to unit with flanges.

To convert a unit to downflow discharge — Units are equipped with factory-installed inserts in the down-flow openings. Removal of the inserts is similar to removing an electrical knock-out. Use the duct cover to seal the horizontal discharge openings in the unit. Units installed in horizontal discharge orientation do not require duct covers.

Airflow — Units are draw-thru in the cooling mode and blow-thru in the heating mode.

Maximum cooling airflow — To minimize the possibility of condensate blow-off from the evaporator, airflow through the units should not exceed 450 CFM per ton.

Minimum cooling airflow — Minimum cooling airflow is 350 cfm per ton.

Minimum ambient cooling operation temperature — All standard units have a minimum ambient operating temperature of 40°F (4°C). With accessory low ambient temperature kit, units can operate at temperatures down to 0°F (-17°C).

Minimum temperature — Air entering the heat exchanger in heating mode must be a minimum of 50°F (10°C) continuous and/or 45°F (7°C) intermittent.

Electrical Data

| MODEL | NOMINAL V-PH-HZ | VOLTAGE RANGE | | COMPRESSOR | | OFM | IFM | IDM | POWER SUPPLY | |
|-----------------|--------------------|---------------|-----|------------|-------|------|-----|------|--------------|------|
| | | MIN | MAX | RLA | LRA | FLA | FLA | FLA | MCA | MOCP |
| 24040, 24060 | 208/230-1-60 | 197 | 253 | 9 | 63 | 0.72 | 3.9 | 0.65 | 15.9 | 20 |
| 30040, 30060 | 208/230-1-60 | 197 | 253 | 12.5 | 67 | 1.05 | 3.9 | 0.65 | 20.6 | 30 |
| 36060, 36090 | 208/230-1-60 | 197 | 253 | 14.4 | 86 | 1.05 | 3.8 | 0.65 | 22.9 | 35 |
| 36060, 36090 | 208/230-3-60 | 197 | 253 | 9 | 70 | 1.05 | 3.8 | 0.65 | 16.2 | 25 |
| 36060, 36090 | 460-3-60 | 414 | 506 | 4.1 | 39 | 0.53 | 1.2 | 0.33 | 6.8 | 15 |
| 42060, 42090 | 208/230-1-60 | 197 | 253 | 14.8 | 109 | 1.05 | 5.8 | 0.65 | 25.4 | 40 |
| 42060, 42090 | 208/230-3-60 | 197 | 253 | 12.2 | 102.8 | 1.05 | 5.8 | 0.65 | 22.2 | 30 |
| 42060, 42090 | 460-3-60 | 414 | 506 | 5.8 | 48.5 | 0.53 | 1.7 | 0.33 | 9.5 | 15 |
| 48090, 48115 | 208/230-1-60 | 197 | 253 | 19.4 | 102 | 1.05 | 6.9 | 0.65 | 32.3 | 50 |
| 48090, 48115 | 208/230-3-60 | 197 | 253 | 12 | 123 | 1.05 | 6.9 | 0.65 | 24.4 | 35 |
| 48090, 48115 | 460-3-60 | 414 | 506 | 6.3 | 60 | 0.53 | 2.3 | 0.33 | 10.7 | 15 |
| 48130 | 208/230-1-60 | 197 | 253 | 19.4 | 102 | 1.05 | 6.9 | 0.75 | 32.3 | 50 |
| 48130 | 208/230-3-60 | 197 | 253 | 12 | 123 | 1.05 | 6.9 | 0.75 | 24.4 | 35 |
| 48130 | 460-3-60 | 414 | 506 | 6.3 | 60 | 0.53 | 2.3 | 0.52 | 10.7 | 15 |
| 60090, 60115 | 208/230-1-60 | 197 | 253 | 22.6 | 148 | 1.05 | 6.9 | 0.65 | 36.3 | 50 |
| 60090, 60115 | 208/230-3-60 | 197 | 253 | 13.1 | 93 | 1.05 | 6.9 | 0.65 | 24.4 | 35 |
| 60090, 60115 | 460-3-60 | 414 | 506 | 6.6 | 60 | 0.53 | 2.3 | 0.33 | 11.1 | 15 |
| 60130 | 208/230-1-60 | 197 | 253 | 22.6 | 148 | 1.05 | 6.9 | 0.75 | 36.3 | 50 |
| 60130 | 208/230-3-60 | 197 | 253 | 13.1 | 93 | 1.05 | 6.9 | 0.75 | 24.4 | 35 |
| 60130 | 460-3-60 | 414 | 506 | 6.6 | 60 | 0.53 | 2.3 | 0.52 | 11.1 | 15 |

LEGEND

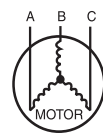
FLA - Full Load Amps
 IDM - Inducer Motor
 IFM - Indoor Fan Motor
 LRA - Locked Rotor Amps
 MCA - Minimum Circuit Amps
 MOCP - Maximum Over Current Protection
 OFM - Outdoor Fan Motor
 RLA - Rated Load Amps

NOTES:

- In compliance with NEC (National Electrical Code) requirements for multimotor and combination load equipment (refer to NEC Articles 430 and 440), the overcurrent protective device for the unit shall be Power Supply fuse or circuit breaker.
- Minimum wire size is based on 60 C copper wire. If other than 60 C wire is used, or if length exceeds wire length in table, determine size from NEC.
- Unbalanced 3-Phase Supply Voltage
Never operate a motor where a phase imbalance in supply voltage is greater than 2%. Use the following formula to determine the percentage of voltage imbalance

$$\% \text{ Voltage imbalance} = 100 \times \frac{\text{max voltage deviation from average voltage}}{\text{average voltage}}$$

EXAMPLE: Supply voltage is 230-3-60.



AB = 228 v
 BC = 231 v
 AC = 227 v

$$\begin{aligned} \text{Average Voltage} &= \frac{228 + 231 + 227}{3} \\ &= \frac{686}{3} \\ &= 229 \end{aligned}$$

Determine maximum deviation from average voltage.

(AB) 229 - 228 = 1 v
 (BC) 231 - 229 = 2 v
 (AC) 229 - 227 = 2 v

Maximum deviation is 2 v.

Determine percent of voltage imbalance

$$\begin{aligned} \% \text{ Voltage Imbalance} &= 100 \times \frac{2}{229} \\ &= 0.8\% \end{aligned}$$

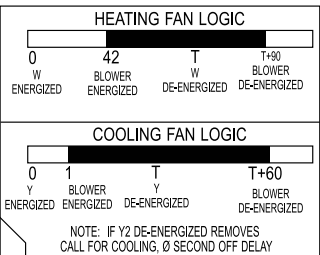
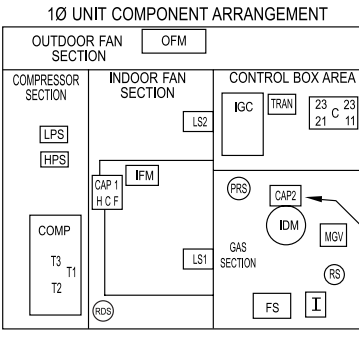
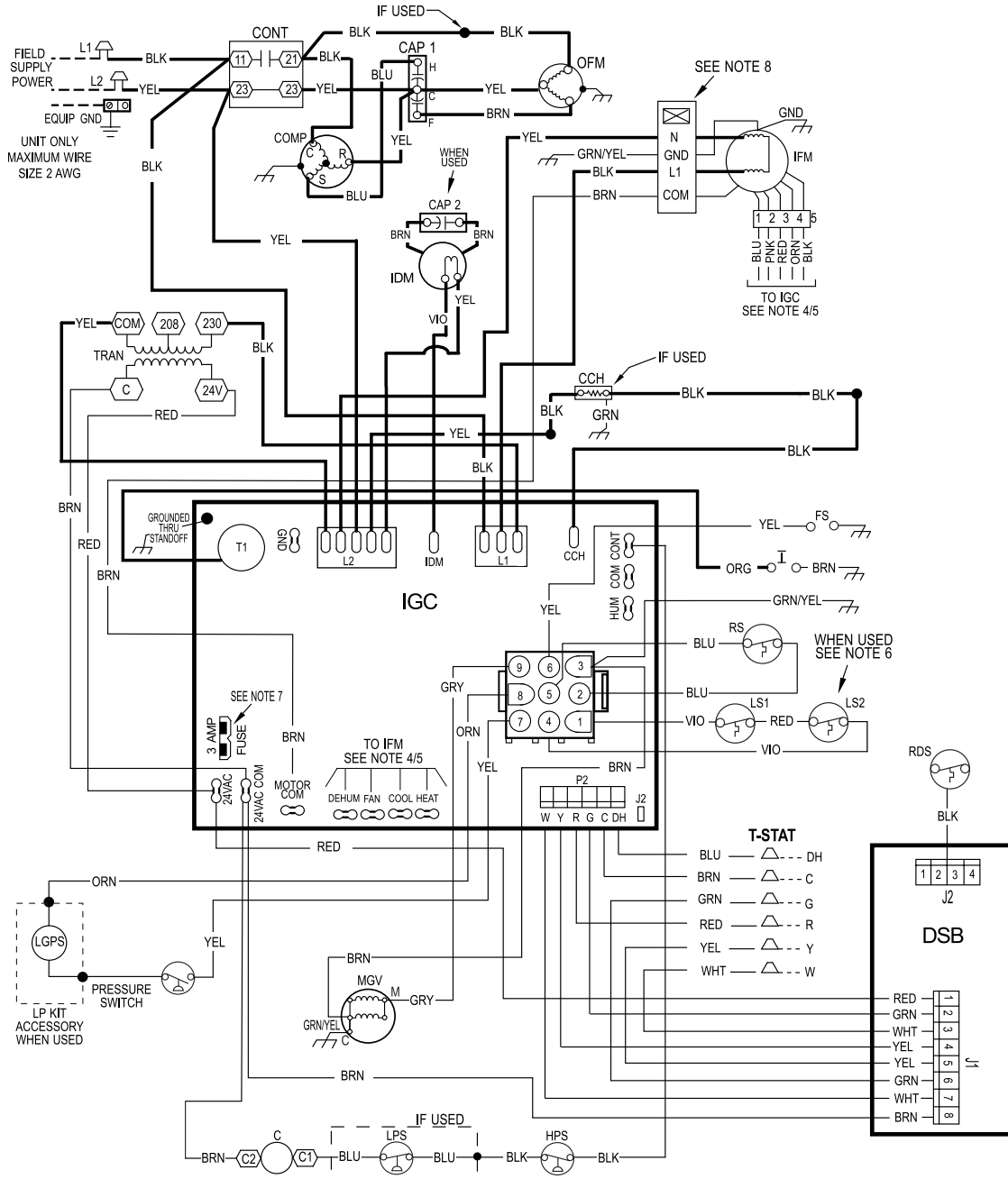
This amount of phase imbalance is satisfactory as it is below the maximum allowable 2%.

IMPORTANT: If the supply voltage phase imbalance is more than 2%, contact your local electric utility company immediately.

A06564

Connection Wiring Schematic 208/230-1-60

CONNECTION WIRING DIAGRAM DANGER: ELECTRICAL SHOCK HAZARD DISCONNECT POWER BEFORE SERVICING



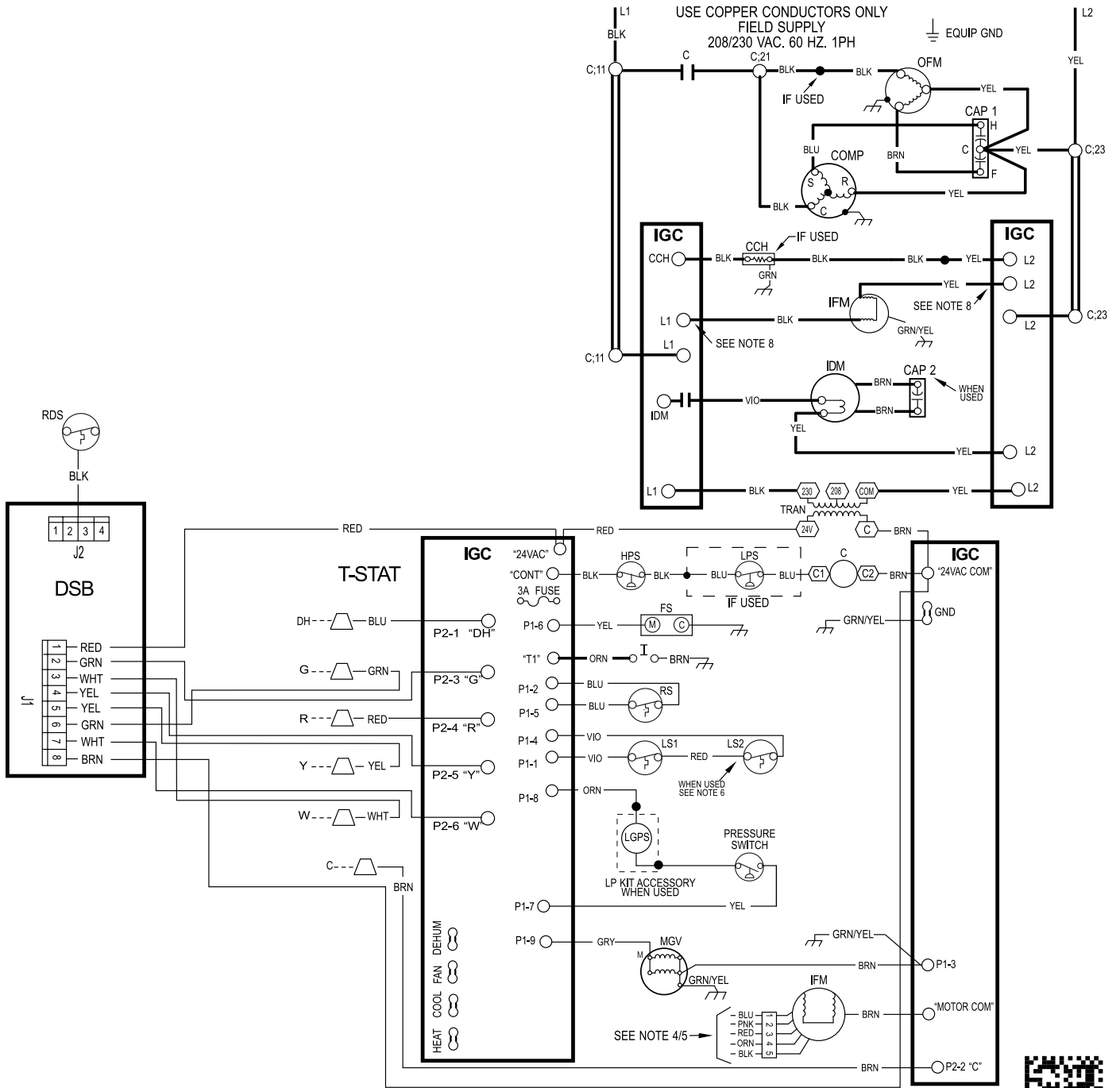
- NOTES:**
- IF ANY OF THE ORIGINAL WIRES FURNISHED ARE REPLACED THEY MUST BE REPLACED WITH THE SAME WIRE OR IT'S EQUIVALENT.
 - SEE PRE-SALE LITERATURE FOR THERMOSTATS.
 - USE 75 DEGREES C COPPER CONDUCTORS FOR FIELD INSTALLATION.
 - REFER TO INSTALLATION INSTRUCTIONS FOR CORRECT SPEED SELECTION FOR IFM.
 - SEE INSTALLATION INSTRUCTIONS FOR PROPER HEATING AND COOLING CONNECTIONS FOR YOUR UNIT.
 - ON SOME MODELS LS1 AND LS2 ARE WIRED IN SERIES. ON OTHER MODELS ONLY LS1 IS USED.
 - THIS FUSE IS MANUFACTURED BY LITTLE FUSE, P/N 287003.
 - DO NOT DISCONNECT PLUG UNDER LOAD.
 - N.E.C. CLASS 2, 24V.

Ladder Wiring Schematic 208/230-1-60

LADDER WIRING DIAGRAM

DANGER: ELECTRICAL SHOCK HAZARD DISCONNECT POWER BEFORE SERVICING

| LEGEND | | | |
|---------------------------------|---|-----------------------------------|--|
| △ FIELD SPLICE | ○ SPLICE (MARKED) | --- ACCESSORY OR OPTIONAL WIRING | CAP2 CAPACITOR, INDUCER (WHEN USED) |
| ○ TERMINAL (MARKED) | — FACTORY LOW VOLTAGE | — FACTORY HI VOLTAGE | DSB DISSIPATION BOARD |
| ○ TERMINAL (UNMARKED) | - - - FIELD CONTROL WIRING | C CONTACTOR | EQUIP EQUIPMENT |
| ● SPLICE | --- FIELD POWER WIRING | CAP1 CAPACITOR, COMP | FS FLAME SENSOR |
| HPS HIGH PRESSURE SWITCH | IGC INTEGRATED GAS UNIT CONTROLLER | LS2 SECONDARY LIMIT SWITCH | RDS REFRIG. DETECTION SENSOR |
| I IGNITOR | LGPS LOW GAS PRESSURE SWITCH (WHEN USED) | MGV MAIN GAS VALVE | RS ROLLOUT SWITCH |
| IDM INDUCED DRAFT MOTOR | LPS LOW PRESSURE SWITCH | OFM OUTDOOR FAN MOTOR | TRAN TRANSFORMER |
| IFM INDOOR FAN MOTOR | LS1 PRIMARY LIMIT SWITCH | OT QUADRUPLE TERMINAL | T-STAT THERMOSTAT |

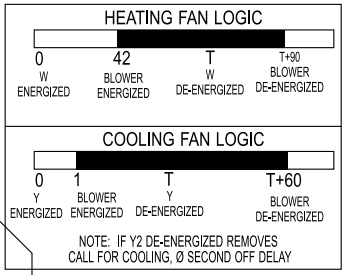
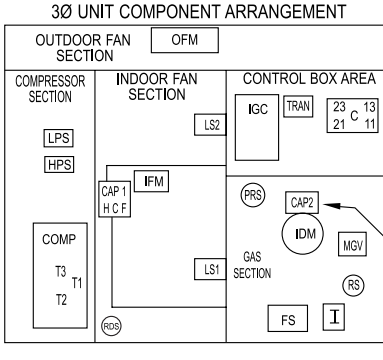
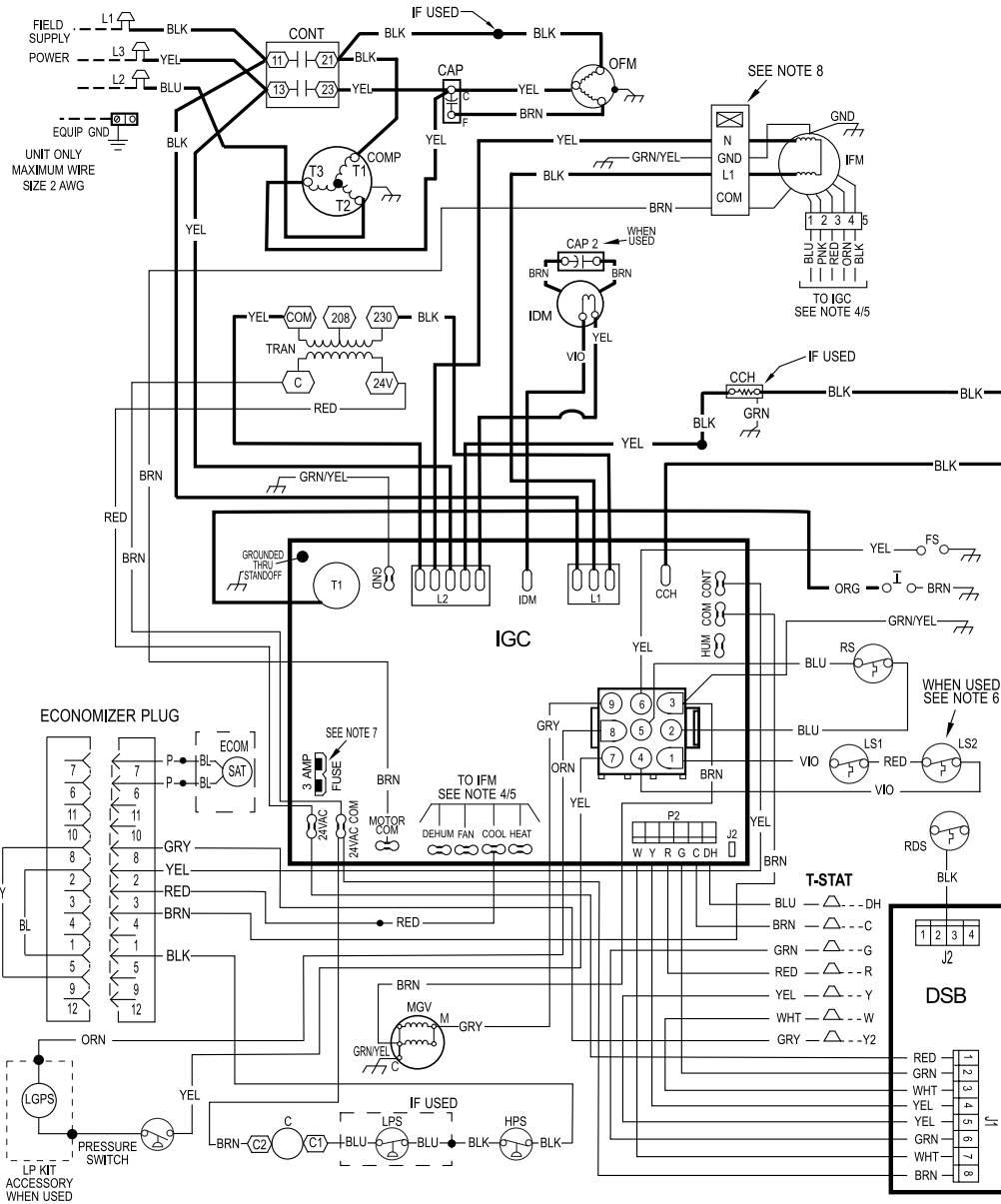


350957-701 REV. -



Connection Wiring Schematic 208/230-3-60

CONNECTION WIRING DIAGRAM DANGER: ELECTRICAL SHOCK HAZARD DISCONNECT POWER BEFORE SERVICING



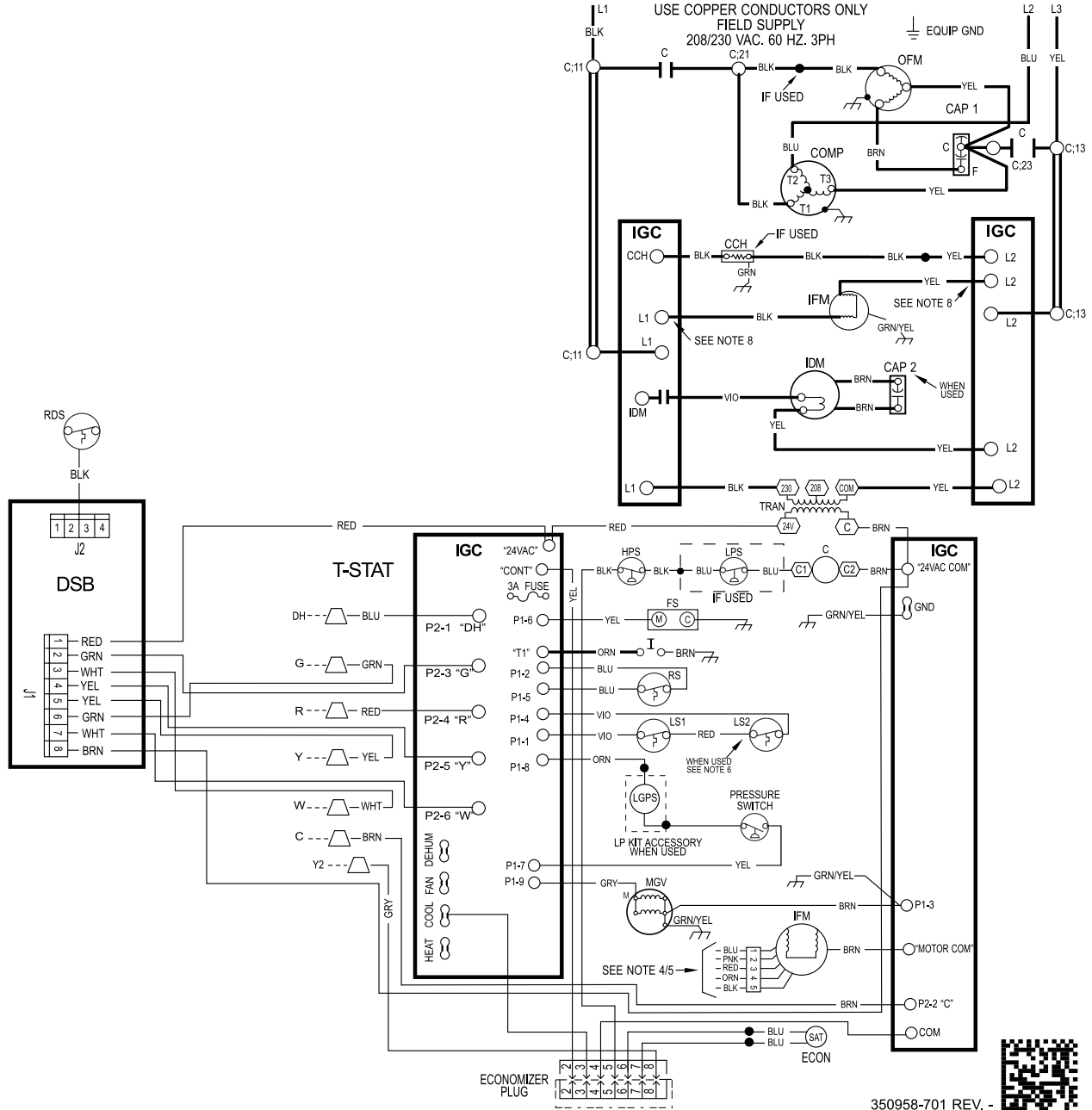
- ### NOTES:
- IF ANY OF THE ORIGINAL WIRES FURNISHED ARE REPLACED THEY MUST BE REPLACED WITH THE SAME WIRE OR IT'S EQUIVALENT.
 - SEE PRE-SALE LITERATURE FOR THERMOSTATS.
 - USE 75 DEGREE C COPPER CONDUCTORS FOR FIELD INSTALLATION.
 - REFER TO INSTALLATION INSTRUCTIONS FOR CORRECT SPEED SELECTION FOR IFM.
 - SEE INSTALLATION INSTRUCTIONS FOR PROPER HEATING AND COOLING CONNECTIONS FOR YOUR UNIT.
 - ON SOME MODELS LS1 AND LS2 ARE WIRED IN SERIES. ON OTHER MODELS ONLY LS1 IS USED.
 - THIS FUSE IS MANUFACTURED BY LITTLE FUSE, P/N 287003.
 - DO NOT DISCONNECT PLUG UNDER LOAD.
 - N.E.C. CLASS 2, 24V.

Ladder Wiring Schematic 208/230-3-60

LADDER WIRING DIAGRAM DANGER: ELECTRICAL SHOCK HAZARD DISCONNECT POWER BEFORE SERVICING

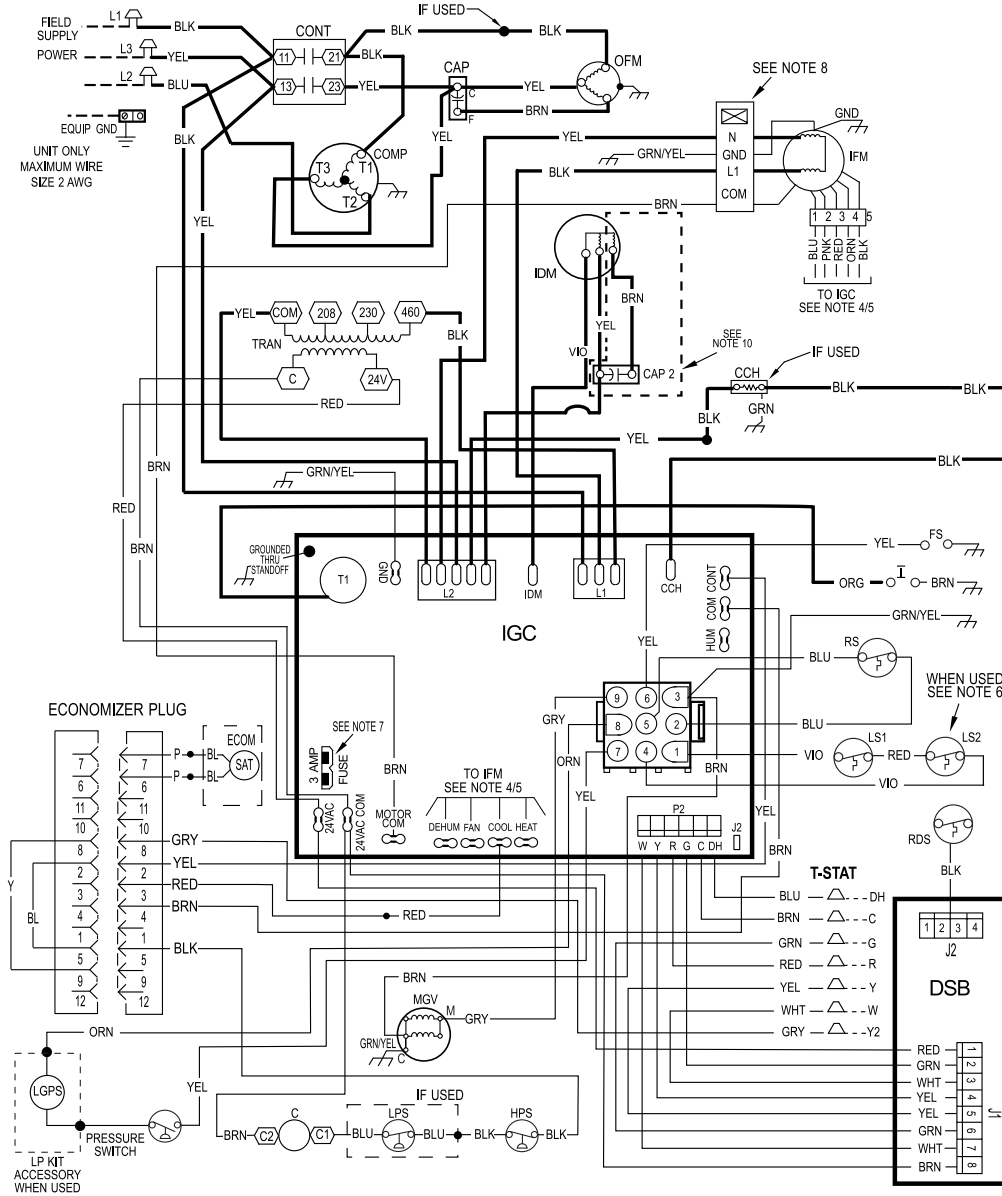
LEGEND

| | | | | |
|--|---|----------------------------------|--|-------------------------------------|
| △ FIELD SPLICE | ○ SPLICE (MARKED) | --- ACCESSORY OR OPTIONAL WIRING | CAP2 CAPACITOR, INDUCER (WHEN USED) | DSB DISSIPATION BOARD |
| ◻ TERMINAL (MARKED) | — FACTORY LOW VOLTAGE | — FACTORY HI VOLTAGE | CCH CRANKCASE HEATER | EQUIP EQUIPMENT |
| ○ TERMINAL (UNMARKED) | --- FIELD CONTROL WIRING | C CONTACTOR | CHS CRANKCASE HEATER SWITCH | FS FLAME SENSOR |
| ● SPLICE | --- FIELD POWER WIRING | CAP1 CAPACITOR, COMP | COMP COMPRESSOR MOTOR | GND GROUND |
| HPS HIGH PRESSURE SWITCH | IFM INDOOR FAN MOTOR | LS1 PRIMARY LIMIT SWITCH | LS2 SECONDARY LIMIT SWITCH | OT QUADRUPLE TERMINAL |
| HUM HUMIDIFIER ACCESSORY TERMINAL | IGC INTEGRATED GAS UNIT CONTROLLER | MGV MAIN GAS VALVE | OFM OUTDOOR FAN MOTOR | RDS REFRIG. DETECTION SENSOR |
| I IGNITOR | LGPS LOW GAS PRESSURE SWITCH (WHEN USED) | OFM OUTDOOR FAN MOTOR | | RS ROLLOUT SWITCH |
| IDM INDUCED DRAFT MOTOR | LPS LOW PRESSURE SWITCH | | | TRAN TRANSFORMER |
| | | | | T-STAT THERMOSTAT |

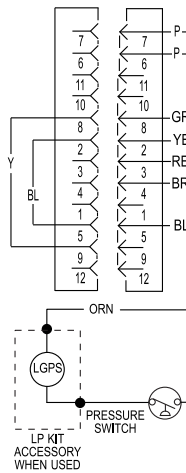


Connection Wiring Schematic 460-3-60

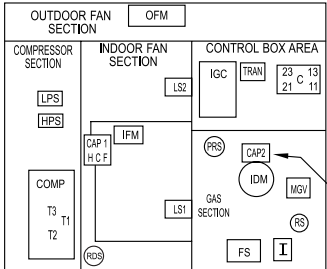
CONNECTION WIRING DIAGRAM DANGER: ELECTRICAL SHOCK HAZARD DISCONNECT POWER BEFORE SERVICING



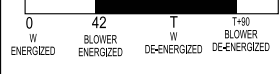
ECONOMIZER PLUG



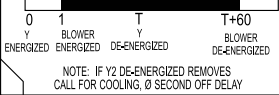
30 UNIT COMPONENT ARRANGEMENT



HEATING FAN LOGIC



COOLING FAN LOGIC



NOTE: IF Y2 DE-ENERGIZED REMOVES CALL FOR COOLING, 0 SECOND OFF DELAY

NOTES:

1. IF ANY OF THE ORIGINAL WIRES FURNISHED ARE REPLACED THEY MUST BE REPLACED WITH THE SAME WIRE OR IT'S EQUIVALENT.
2. SEE PRE-SALE LITERATURE FOR THERMOSTATS.
3. USE 75 DEGREES C COPPER CONDUCTORS FOR FIELD INSTALLATION.
4. REFER TO INSTALLATION INSTRUCTIONS FOR CORRECT SPEED SELECTION FOR IFM.
5. SEE INSTALLATION INSTRUCTIONS FOR PROPER HEATING AND COOLING CONNECTIONS FOR YOUR UNIT.
6. ON SOME MODELS LS1 AND LS2 ARE WIRED IN SERIES. ON OTHER MODELS ONLY LS1 IS USED.
7. THIS FUSE IS MANUFACTURED BY LITTLE FUSE, PIN 287003.
8. DO NOT DISCONNECT PLUG UNDER LOAD.
9. N.E.C. CLASS 2, 24V.
10. INDUCER CAPACITOR AND WIRING ON CERTAIN MODELS ONLY. IF CAP2 IS PRESENT, YELLOW WIRES FROM IGC "L2" AND IDM CONNECT ON THE SAME SIDE OF CAP2

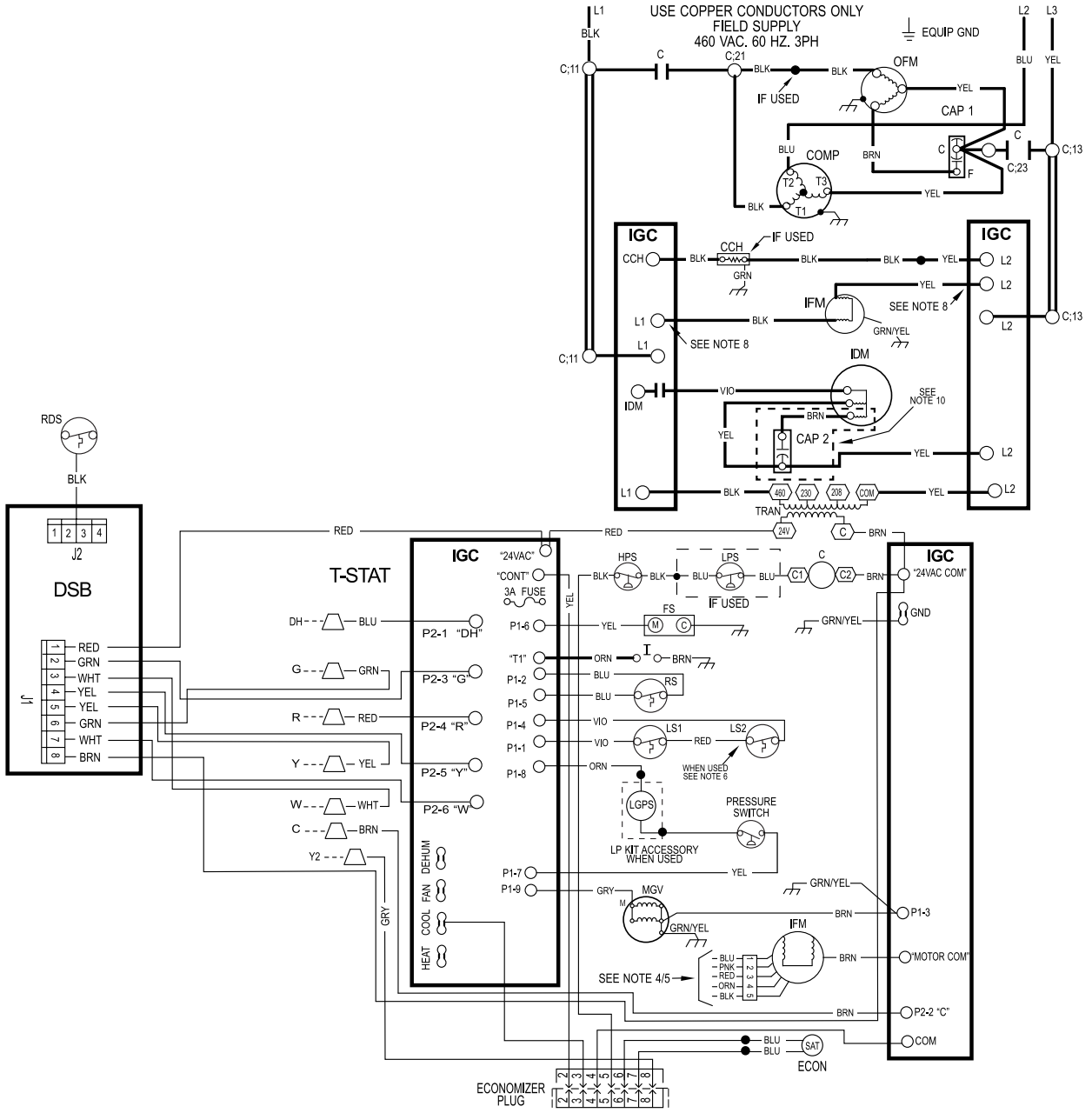
Ladder Wiring Schematic 460-3-60

LADDER WIRING DIAGRAM

DANGER: ELECTRICAL SHOCK HAZARD DISCONNECT POWER BEFORE SERVICING

LEGEND

| | | | | |
|--|---|------------------------------------|--|-------------------------------------|
| △ FIELD SPLICE | ◻ SPLICE (MARKED) | - - - ACCESSORY OR OPTIONAL WIRING | CAP2 CAPACITOR, INDUCER (WHEN USED) | DSB DISSIPATION BOARD |
| ○ TERMINAL (MARKED) | — FACTORY LOW VOLTAGE | — FACTORY HI VOLTAGE | CCH CRANKCASE HEATER | EQUIP EQUIPMENT |
| ○ TERMINAL (UNMARKED) | - - - FIELD CONTROL WIRING | C CONTACTOR | CHS CRANKCASE HEATER SWITCH | FS FLAME SENSOR |
| ● SPLICE | - - - FIELD POWER WIRING | CAP1 CAPACITOR, COMP | COMP COMPRESSOR MOTOR | GND GROUND |
| HPS HIGH PRESSURE SWITCH | IFM INDOOR FAN MOTOR | LS1 PRIMARY LIMIT SWITCH | OT QUADRUPLE TERMINAL | RDS REFRIG. DETECTION SENSOR |
| HUM HUMIDIFIER ACCESSORY TERMINAL | IGC INTEGRATED GAS UNIT CONTROLLER | LS2 SECONDARY LIMIT SWITCH | RS ROLLOUT SWITCH | RS ROLLOUT SWITCH |
| I IGNITOR | LGPS LOW GAS PRESSURE SWITCH (WHEN USED) | MGV MAIN GAS VALVE | TRAN TRANSFORMER | T-STAT THERMOSTAT |
| IDM INDUCED DRAFT MOTOR | LPS LOW PRESSURE SWITCH | OFM OUTDOOR FAN MOTOR | | |



A240124

Controls

Operating sequence

Heating On a call for heating, terminal W of the thermostat is energized, starting the induced-draft motor for a 5 second pre-purge. When the pressure switch senses that the induced-draft motor is moving sufficient combustion air, the burner sequence begins. This function is controlled by the integrated gas unit controller (IGC). The indoor (evaporator) fan motor is energized 30 seconds after flame is established. When the thermostat is satisfied and W is de-energized, the burners stop firing and the indoor (evaporator) fan motor shuts off after a 90 second time-off delay. Please note that the IGC has the capability to automatically reduce the indoor fan motor on delay and increase the indoor fan motor off delay in the event of high duct static and/or a partially-clogged filter.

Cooling — When the system thermostat calls for cooling, 24 V is supplied to the “Y” and “G” terminals of the thermostat. This completes the circuit to the contactor coil (C) and indoor (evaporator) fan relay (IFR). The normally open contacts of energized C close and complete the circuit through compressor motor (COMP) to outdoor (condenser) fan motor (OFM). Both motors start instantly. The set of normally open contacts of energized IFR close and complete the circuit through IFM. The IFM starts instantly.

On the loss of the thermostat call for cooling, 24 V is removed from both the “Y” and “G” terminals (provided the fan switch is in the “AUTO” position) de-energizing the compressor contactor and opening the contacts supplying power to compressor/OFM. After a 60-second delay (1-phase) or 90-second delay (3-phase), the IFM shuts off. If the thermostat fan selector switch is in the “ON” position, the IFM will run continuously.

NOTE: On units with a Time Guard[®] II device: Once the compressor has started and then stopped, it cannot be restarted again until 5 minutes have elapsed.

Guide Specifications

Packaged Gas Heating/Electric Cooling Units Constant Volume Application HVAC Guide Specifications

Size Range: 2 to 5 Tons, Nominal Cooling
40,000 to 127,000 Btuh,
Nominal Heating Input

General

SYSTEM DESCRIPTION

Outdoor rooftop mounted, gas heating/electric cooling unit utilizing a hermetic scroll compressor for cooling duty. Unit shall discharge supply air vertically or horizontally as shown on contract drawings. Condenser fan/coil section shall have a draw-thru design with vertical discharge for minimum sound levels.

QUALITY ASSURANCE

- Unit shall be rated in accordance with AHRI Standards 210/240 and 270-1995.
- Unit shall be designed in accordance with UL Standard 1995 and ANSI Z 21.47.
- Unit shall be manufactured in a facility registered to ISO 9001 manufacturing quality standard.
- Unit shall be UL listed and c-UL certified as a total package for safety requirements.
- Roof curb shall be designed to conform to NRCA Standards.
- Insulation and adhesives shall meet NFPA 90.1 requirements for flame spread and smoke generation.
- Cabinet insulation shall meet ASHRAE Standard 62.2.

DELIVERY, STORAGE AND HANDLING

- Unit shall be stored and handled per manufacturer's recommendations.

Products

EQUIPMENT

General:

Factory-assembled, single-piece, heating and cooling unit. Contained within the enclosure shall be all factory wiring, piping, controls, refrigerant charge with R-454B refrigerant, and special features required prior to field start-up.

Unit Cabinet:

- Unit cabinet shall be constructed of phosphated, zinc-coated, pre-painted steel capable of with-standing 500 hours in salt spray.
- Normal service shall be through 3 removable cabinet panels.
- The unit shall be constructed on a rust proof unit base that has an externally trapped, integrated sloped drain.
- Evaporator fan compartment top surface shall be insulated with a minimum 1/2-in. (12.7 mm) thick, flexible fiberglass insulation, coated on the air side and retained by adhesive and mechanical means. The evaporator wall sections will be insulated with a minimum semi-rigid foil-faced board capable of being wiped clean. Aluminum foil-faced fiberglass insulation shall be used in the entire indoor air cavity section.
- Unit shall have a field-supplied condensate trap.

Fans:

- The evaporator fan shall be a multi-speed, direct-drive, as shown on equipment drawings.
- Fan wheel shall be made from steel, be double-inlet type with forward curved blades with corrosion resistant finish. Fan wheel shall be dynamically balanced.
- Condenser fan shall be direct drive propeller type with aluminum blades riveted to corrosion resistant steel spiders, be dynamically balanced, and discharge air vertically.

Compressor:

- Fully hermetic compressors with factory-installed vibration isolation.

Coils:

- Aluminum tubes on indoor coil. Copper tubes on outdoor coil.

Heating Section:

- Induced-draft combustion type with energy saving direct spark ignition system and redundant main gas valve.
- Induced-draft motors shall provide adequate airflow for combustion.
- The heat exchangers shall be constructed of stainless steel for corrosion resistance.
- Burners shall be of the in-shot type constructed of aluminum coated steel.
- All gas piping and electric power shall enter the unit cabinet at a single location.

Refrigerant Components:

Refrigerant expansion device shall be of the TXV (thermostatic expansion valve) or fixed orifice type.

Filters:

Filter section shall consist of field-installed, throwaway, 1-in. (25 mm) thick fiberglass filters of commercially available sizes.

Controls and Safeties:

- Unit controls shall be complete with a self-contained low voltage control circuit.
- Compressors shall incorporate a solid-state compressor protector that provides reset capability.

Operating Characteristics:

- Unit shall be capable of starting and running at 125°F (51°C) ambient outdoor temperature per maximum load criteria of AHRI Standard 210.
- Compressor with standard controls shall be capable of operation down to 40°F (4°C) ambient outdoor temperature.
- Units shall be provided with fan time delay to prevent cold air delivery before the heat exchanger warms up.
- Unit shall be provided with 60-second fan time delay (single phase models) or 90 second fan time delay (three phase models) after the thermostat is satisfied.

Electrical Requirements:

All unit power wiring shall enter the unit cabinet at a single location.

Motors:

- Compressor motors shall be of the refrigerant-cooled type with line-break thermal and current overload protection.
- All fan motors shall have permanently lubricated bearings, and inherent, automatic reset, thermal overload protection.
- Condenser fan motor shall be totally enclosed.
- Evaporator Fan Motor to be ECM Motor.

Compressor Protection:

Solid-state control shall protect compressor by preventing "short cycling."

Guide Specifications (Continued)

Low NOx:

Shall provide NOx reduction to meet 40 ng/J NOx emissions requirements as shipped from the factory.

Special Features Available:

1. Coil Options
Base unit with tin plated indoor coil hairpins available as a factory installed option.
2. Compressor Start Kit (single phase units only):
Shall provide additional starting torque for single-phase compressors.
3. Thermostat:
To provide for one-stage heating and cooling in addition manual or automatic changeover and indoor fan control.
4. Crankcase Heater:
Shall provide anti-floodback protection for low-load cooling applications.
5. Economizer:
(Horizontal - Field installed accessory)
(Vertical - Field installed accessory)
 - a. Economizer controls capable of providing free cooling using outside air.
 - b. Equipped with low leakage dampers not to exceed 3% leakage, at 1.0 IN. W.C. pressure differential.
 - c. Spring return motor shuts off outdoor damper on power failure.
6. Filter Rack Kit:
Shall provide filter mounting for downflow applications. Offered as a field installed accessory.
7. Flat Roof Curb:
Curbs shall have seal strip and a wood nailer for flashing and shall be installed per manufacturer's instructions.
8. Flue Discharge Deflector
Directs flue gas exhaust; 90 degrees upward from current discharge.
9. High Altitude Propane Conversion Kit:
Shall consist of all required hardware to convert to propane gas heat operation at 2001 to 6000 ft (611 to 1829 m) above sea level.
10. Low Ambient Package:
Shall consist of a solid-state control and condenser coil temperature sensor for controlling condenser-fan motor operation, which shall allow unit to operate down to 0°F (-18°C) outdoor ambient temperature when properly installed.
11. Manual Outdoor Air Damper:
Package shall consist of damper, birdscreen, and rainhood which can be preset to admit outdoor air for year-round ventilation.
12. Natural-to-Propane Conversion Kit:
Shall be complete with all required hardware to convert to propane gas operation at 10.0 IN. W.C. manifold pressure.
13. Propane-to-Natural Conversion Kit
Shall be complete with all hardware to convert to natural gas at standard altitude (0 to 2000 ft [0 to 610 m] above sea level).
14. Square-To-Round Duct Transitions (24-48 models):
Shall have the ability to convert the supply and return openings from rectangular to round.
15. Time Guard II
Automatically prevents the compressor from restarting for at least 4 minutes and 45 seconds after shutdown of the compressor. Not required when a corporate programmable thermostat is applied or with a RTU-MP control. Offered as a field installed accessory.
16. Cabinet air leakage of 2.0% or less at .5 in. W.C. when tested in accordance with ASHRAE standard 193.
17. Louver Metal Outdoor Coil Grille
Shall provide hail and vandalism protection. Available as a field installed accessory.
18. Low Pressure Switch Kit
Kit is designed for use when a low pressure control is desired. This kit provides added reliability for the compressor.