

# ReVent®

## Ventilation Fans

# 70 CFM

### ReVent Ventilation Fan

**Model - RVS70**

**Performance** - High airflow 70 CFM, low sound 0.9 sones



### ReVent with LED Lighting

**Model - RVL70**

**Performance** - High airflow 70 CFM, low sound 0.9 sones

**LED** - Adjustable 2700/3000/3500 /4000/5000K, 1000L, dimmable



### ReVent with Humidity Sensing

**Model - RVSH70**

**Performance** - High airflow 70 CFM, low sound 0.9 sones

**Humidity** - Automatically turns fan on when moisture is present and off when dry

**Min/Hour Timer** - Can be set 0-60 minutes, runs fan for set time every hour



### ReVent with LED Lighting and Humidity Sensing

**Model - RVLH70**

**Performance** - High airflow 70 CFM, low sound 0.9 sones

**LED** - Adjustable 2700/3000/3500 /4000/5000K, 1000L, dimmable

**Humidity** - Automatically turns fan on when moisture is present and off when dry

**Min/Hour Timer** - Can be set 0-60 minutes, runs fan for set time every hour



SPECIFICATIONS	Models	RVS70, RVL70, RVSH70, RVLH70
	Exhaust Diameter	4 in (10.2 cm)
	Voltage (volts)	120V
	Frequency (hertz)	60Hz
	Power (watts)	8.2 W (non-lighting), 7.9 W (lighting)
	Air Flow at 0.1 CW	70 CFM
	Noise (sones)	0.9 Sones
	Shield Size	9 3/4 x 9 3/4 in (24.8 x 24.8 cm)
	Opening Length	7 1/4 in (18.4 cm)
	Opening Width	7 1/2 in (19.1 cm)
	Housing Length	7 1/4 in (18.4 cm)
Housing Width	7 1/2 in (19.1 cm)	
Housing Depth	4 3/8 in (11.1 cm)	

LIGHTING MODELS	
Models	RVL70, RVLH70
Brightness (lumens)	1000L at 4000K
Color Temp (kelvin)	2700, 3000, 3500, 4000, or 5000K
Power (watts)	13W

### performance at 4" and 3" ducting

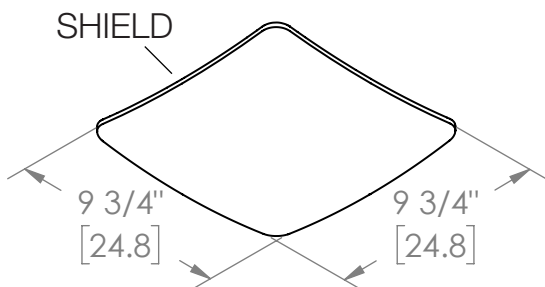
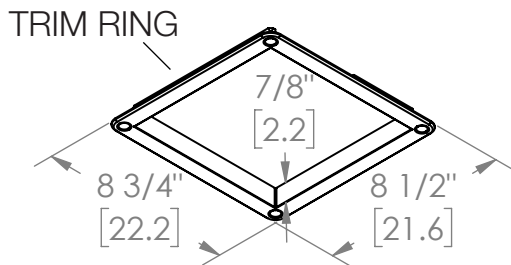
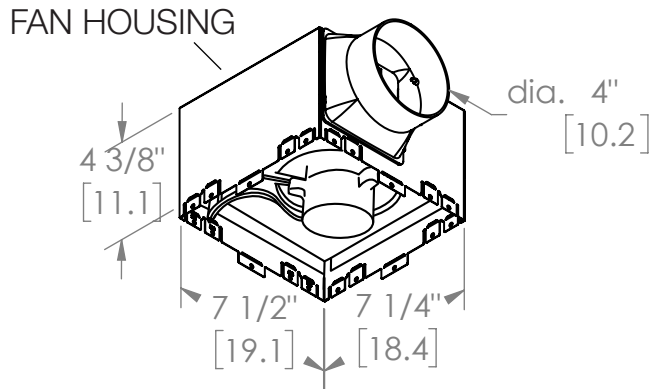
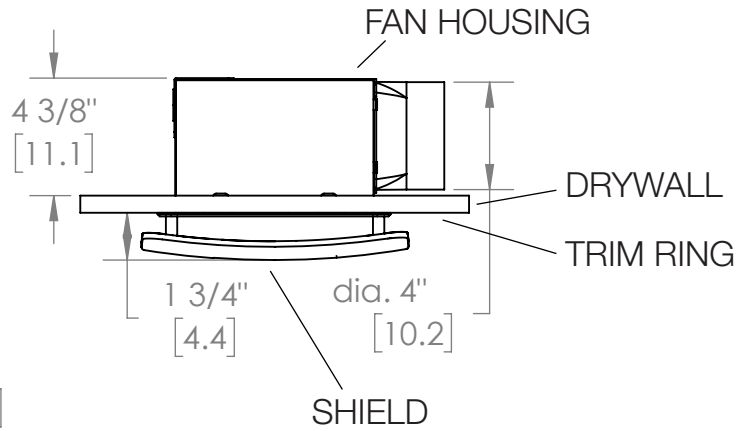
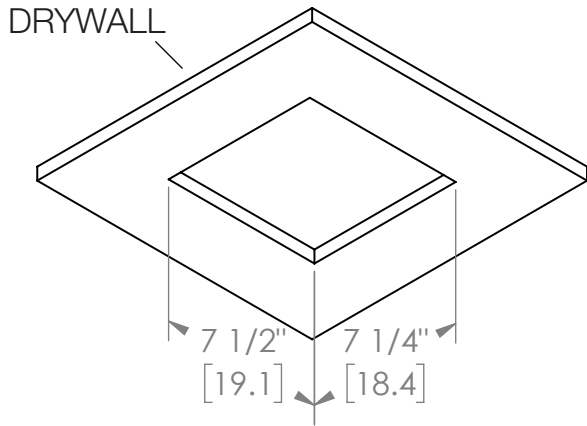
Static Pressure (in wg)	Airflow (cfm)	Sound (sones)	Energy (watts)	Duct Size
<b>RVS70, RVSH70</b>				
0.1	70	0.9	8.2	4 in
0.25	60	1.2	11	4 in
0.1	70	1.3	10.2	3 in
0.25	56	1.4	10.4	3 in
<b>RVL70, RVLH70</b>				
0.1	70	0.9	7.9	4 in
0.25	60		11.1	4 in
0.1	60	1.3	10.9	3 in
0.25	45		9.7	3 in

Product of GTR Technologies Inc. All rights reserved.  
USA and International Patents and Patents Pending  
See Patents at [www.ReVentfans.com](http://www.ReVentfans.com)

1-360-876-2974  
1420 Lumsden Road  
Port Orchard, WA 98367

May be used to comply with





**ReVent®**  
Ventilation Fans

THIS DRAWING IS THE PROPERTY OF GTR TECHNOLOGY INC. AND TRANSMITTED IN CONFIDENCE. THE REPRODUCTION, USE, OR DISCLOSURE, IN WHOLE OR IN PART, OF THE DESIGN AND DETAILS CONTAINED HEREIN IS PROHIBITED WITHOUT THE WRITTEN PERMISSION OF GTR TECHNOLOGY INC.

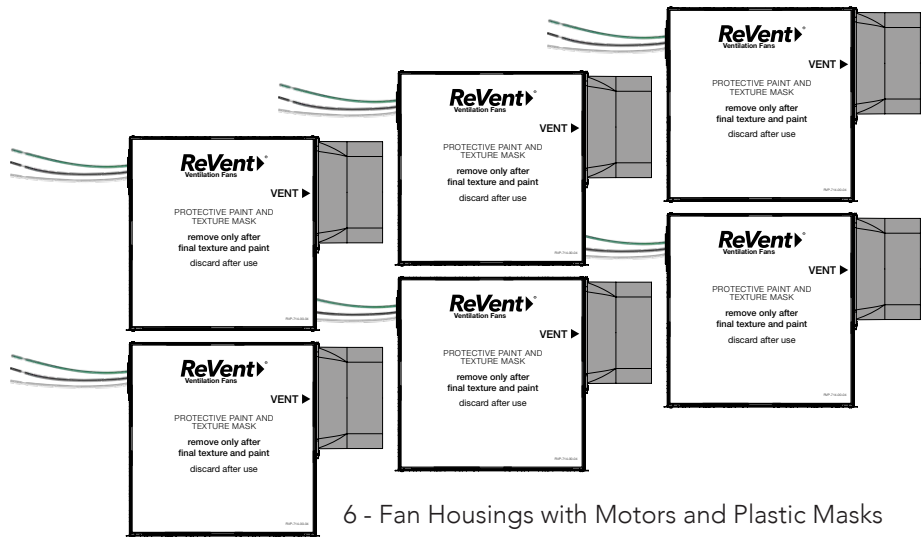
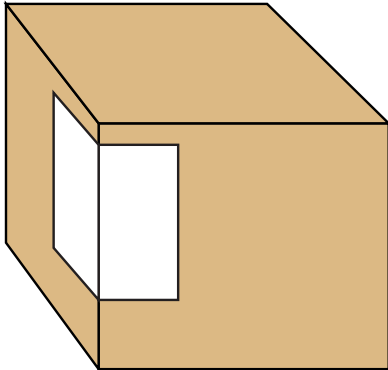
PART #

**RVS70, RVL70,  
RVSH70, RVLH70**

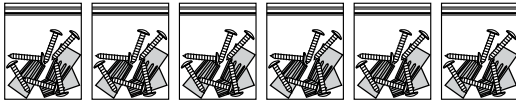
# Model: RVS70-6PR

## Contractor Pack: Rough In Pack

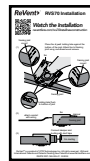
Packaging - Box of 6



6 - Fan Housings with Motors and Plastic Masks



6 - Screw Kits

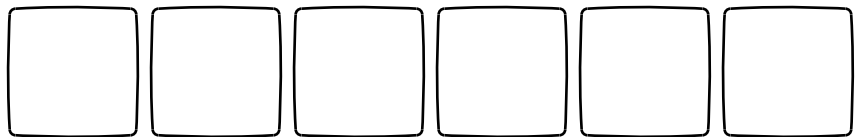
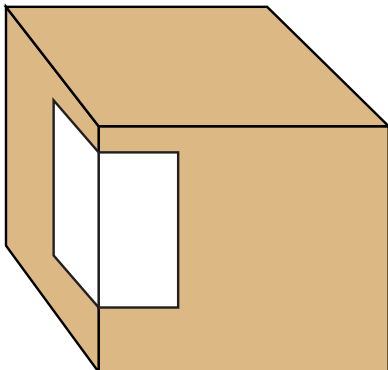


1 - Install Sheet

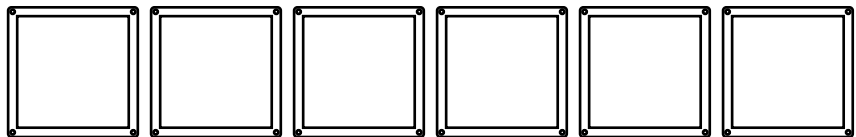
# Model: RVS70-6PF

## Contractor Pack: Finish Pack

Packaging - Box of 6



6 - Shields



6 - Trim Rings



6 - Manuals