

# Wired Remote Controller 7 Day Programmable

Model: KSACN0501AAA

## Submittal Data

Job Data: \_\_\_\_\_ Location: \_\_\_\_\_  
 Buyer: \_\_\_\_\_ Buyer P.O. #: \_\_\_\_\_ Carrier #: \_\_\_\_\_  
 Unit Number: \_\_\_\_\_ Model Number: \_\_\_\_\_  
 Performance Data Certified By: \_\_\_\_\_ Date: \_\_\_\_\_



### Features

- LCD Display
- Malfunction code display
- 4-wire quick connect
- Room temperature display
- °F/°C Convertible
- Clock

### Functions

- Weekly Schedule
- Mode: Auto-Cool-Dry-Heat-Fan
- Fan Speed: Auto/Low/Med/High speed
- Swing (on some models)
- Timer ON/OFF
- Temperature Setting
- Follow Me Function
- Child Lock

### Parts included:

- |  |   |  |
|--|---|--|
| <input type="checkbox"/> Wired Controller                | <input type="checkbox"/> Wall Plugs         | <input type="checkbox"/> Connection Cable 19 ft (6m) |
| <input type="checkbox"/> Installation and owner's manual | <input type="checkbox"/> Plastic Screw Bars |  |
| <input type="checkbox"/> Screws M4X20                    | <input type="checkbox"/> Battery            |  |

Note: Extension wire available through RCD. Part Number: 17401204000769

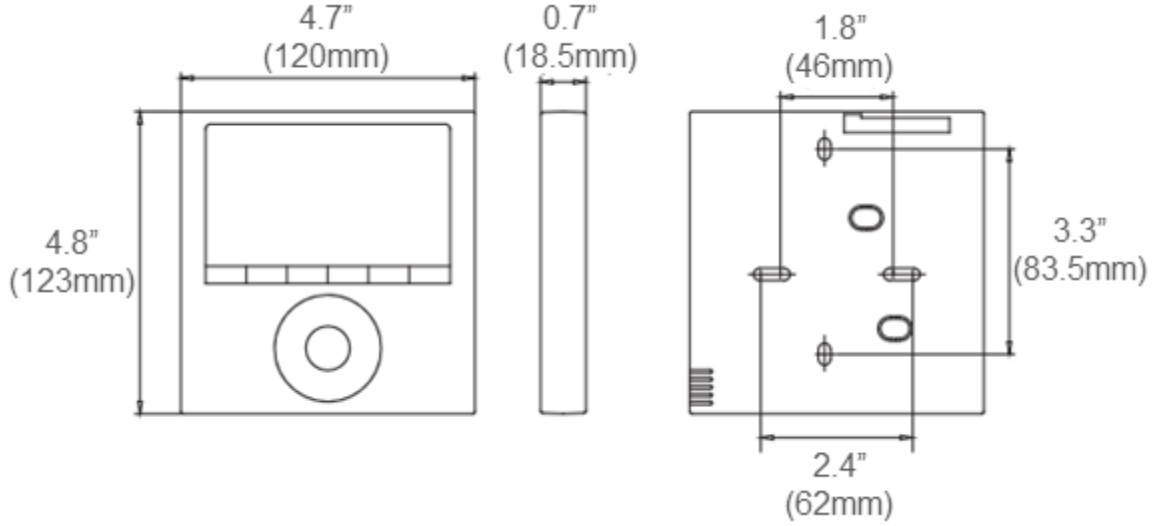
### Specification:

Input Voltage	DC 12V
Ambient Temperature	23 ~ 110°F (-5 - 43°C)
Ambient Humidity	40%RH ~ 90%RH

### Wiring Specification:

Wiring Type	Size	Maximum Length
Sheathed vinyl cord or cable	16 – 18AWG (0.75 – 1.25MM <sup>2</sup> )	164ft (50m)

# Construction View KSACN0501AAA



# Termination View

