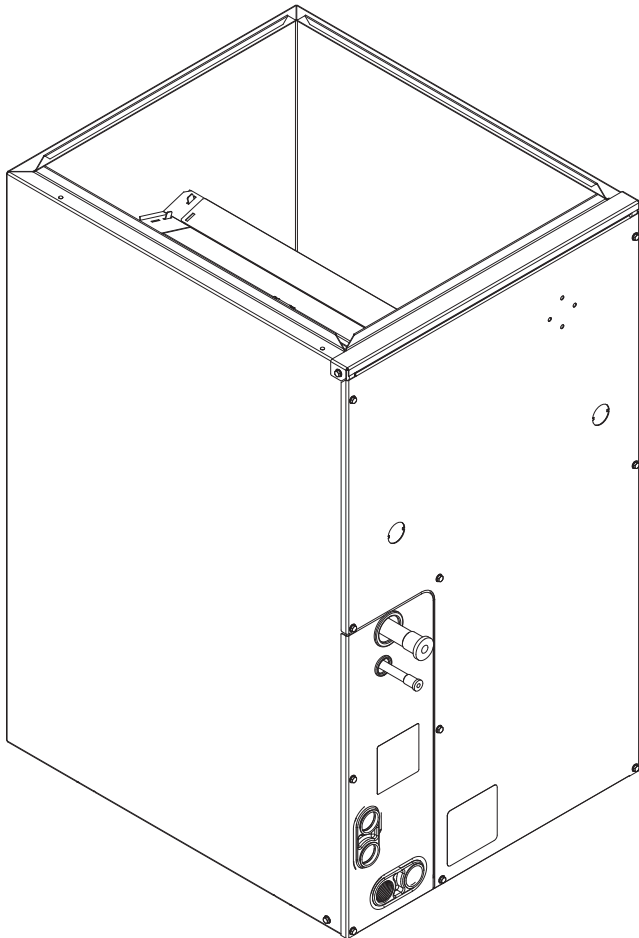


**CAPMP  
Evaporator Coil  
A Coil – Cased  
Multipoise**



## Product Data



CAPMP

A06009

The CAPMP evaporator coil incorporates proven standards for reliable system operation and performance throughout the life of a quality Carrier Air Conditioner or Heat Pump system. Evaporator coils manufactured by Carrier and installed as part of a total comfort system provide AHRI-rated performance ratings and are additionally listed with UL and c-UL.

This coil is available for use in Puron® Refrigerant (R-410A) only. It is a cased A-coil that is housed in a durable, 24 gauge, pre-painted taupe metallic cabinet. The fully-insulated cabinet (foil faced with R-2.1 insulation properties) provides for quiet efficient operation of the evaporator coil. This multipoise coil offers the most in installation application flexibility, one coil for a variety of applications with fewer SKUs to stock.

### DESIGN FEATURES

**Performance** — Designed with performance in mind, this new A-coil offers low pressure drops to enhance system performance and airflow characteristics.

**Thermostatic Expansion Valves (TXV)** — All Carrier coils have refrigerant-specific, factory-installed TXVs.

**Durable Condensate Pans (2)** — The corrosion-resistant drain pans, one for vertical applications and one for horizontal, are designed in a “fiberglass reinforced thermoset polyester” material (FRTP) that offers unsurpassed pan strength. It is engineered with proper slope in both pans to help ensure water drainage, improved moisture removal, and home comfort.

**Refrigerant Connections** — This coil is provided with industry proven sweat connections for leak-free operation to maintain system reliability. The side mounting tubing to the coil slabs allows for easy cleaning/servicing of the coils, as well as easy access to the TXV.

**Burst Pressure** — This coil meets or exceeds burst pressure of 2100 psi, which is at least three to five times the pressure it will see in actual application.

**UV Knockouts** — The cased coil also comes with factory-installed UV knockouts for quick and easy installation of UV lights.

**Serviceability** — This coil comes with a “split delta plate” for easy, quick access to the coil for service and cleaning. Also, after the door is removed, the coil is removable from the front of the unit without use of any tools.

# MODEL NUMBER NOMENCLATURE

1 2 3 4 5 6 7 8 9 10 11 12  
 C A P M P 3 6 1 4 A L A

**Product**  
 C = Coil

**Type**  
 A = A Coil

**Refrigerant Type**  
 P = Puron® Refrigerant (R-410A) TXV

**Coil Configuration**  
 M = Multipoise

**Cabinet Finish**  
 P = Painted

**Variations**  
 A = Basic

**Tubing Design**  
 L = Aluminum

**Revision Level**  
 A = 1st

**Cabinet Width**  
 14 = 14-in (356 mm)  
 17 = 17-in (432 mm)  
 21 = 21-in (536 mm)  
 24 = 24-in (610 mm)

**Unit Capacity**  
 19 = 1 1/2 Ton  
 24 = 2 Ton  
 25 = 2 Ton  
 30 = 2-1/2 Ton  
 36 = 3 Ton  
 37 = 3 Ton  
 42 = 3-1/2 Ton  
 43 = 3-1/2 Ton  
 48 = 4 Ton  
 60 = 5 Ton  
 61 = 5 Ton

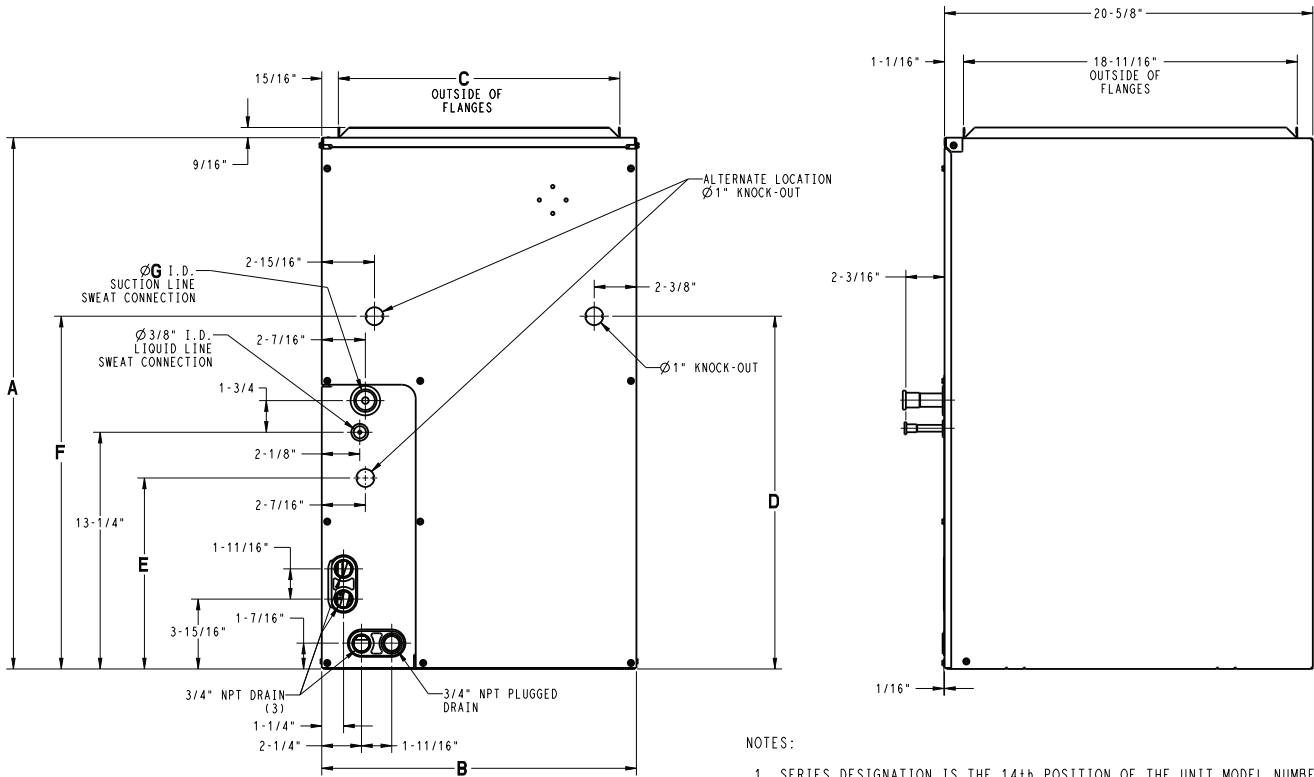


Use of the AHRI Certified TM Mark indicates a manufacturer's participation in the program. For verification of certification for individual products, go to [www.ahridirectory.org](http://www.ahridirectory.org).

ISO 9001:2000



# DIMENSIONS



**NOTES:**

1. SERIES DESIGNATION IS THE 14th POSITION OF THE UNIT MODEL NUMBER.
2. ALL DIMENSIONS ARE IN "INCHES" UNLESS NOTED.

| UNIT         | SERIES | A                                    | B                                   | C                                   | D                                    | E                                    | F                                  | G                               | SHIPPING WT (LBS) |
|--------------|--------|--------------------------------------|-------------------------------------|-------------------------------------|--------------------------------------|--------------------------------------|------------------------------------|---------------------------------|-------------------|
| CAPMP1814ALA | A      | 25 13 <sup>1</sup> / <sub>16</sub> " | 14 3 <sup>1</sup> / <sub>16</sub> " | 12 7 <sup>1</sup> / <sub>16</sub> " | 17 3 <sup>1</sup> / <sub>16</sub> "  | 10 11 <sup>1</sup> / <sub>16</sub> " | —                                  | 5 <sup>1</sup> / <sub>8</sub> " | 50.5              |
| CAPMP2414ALA | A      | 25 13 <sup>1</sup> / <sub>16</sub> " | 14 3 <sup>1</sup> / <sub>16</sub> " | 12 7 <sup>1</sup> / <sub>16</sub> " | 17 3 <sup>1</sup> / <sub>16</sub> "  | 10 11 <sup>1</sup> / <sub>16</sub> " | —                                  | 5 <sup>1</sup> / <sub>8</sub> " | 52.5              |
| CAPMP2417ALA | A      | 25 13 <sup>1</sup> / <sub>16</sub> " | 17 1 <sup>1</sup> / <sub>2</sub> "  | 15 3 <sup>1</sup> / <sub>4</sub> "  | 10 11 <sup>1</sup> / <sub>16</sub> " | 10 11 <sup>1</sup> / <sub>16</sub> " | —                                  | 5 <sup>1</sup> / <sub>8</sub> " | 56.6              |
| CAPMP3014ALA | A      | 25 13 <sup>1</sup> / <sub>16</sub> " | 14 3 <sup>1</sup> / <sub>16</sub> " | 12 7 <sup>1</sup> / <sub>16</sub> " | 17 3 <sup>1</sup> / <sub>16</sub> "  | —                                    | 19 3 <sup>1</sup> / <sub>4</sub> " | 3 <sup>1</sup> / <sub>4</sub> " | 58.0              |
| CAPMP3017ALA | A      | 25 13 <sup>1</sup> / <sub>16</sub> " | 17 1 <sup>1</sup> / <sub>2</sub> "  | 15 3 <sup>1</sup> / <sub>4</sub> "  | 17 3 <sup>1</sup> / <sub>16</sub> "  | —                                    | 19 3 <sup>1</sup> / <sub>4</sub> " | 3 <sup>1</sup> / <sub>4</sub> " | 64.5              |
| CAPMP3614ALA | A      | 29 3 <sup>1</sup> / <sub>4</sub> "   | 14 3 <sup>1</sup> / <sub>16</sub> " | 12 7 <sup>1</sup> / <sub>16</sub> " | 19 3 <sup>1</sup> / <sub>4</sub> "   | —                                    | 19 3 <sup>1</sup> / <sub>4</sub> " | 3 <sup>1</sup> / <sub>4</sub> " | 65.0              |
| CAPMP3617ALA | A      | 29 3 <sup>1</sup> / <sub>4</sub> "   | 17 1 <sup>1</sup> / <sub>2</sub> "  | 15 3 <sup>1</sup> / <sub>4</sub> "  | 19 3 <sup>1</sup> / <sub>4</sub> "   | —                                    | 19 3 <sup>1</sup> / <sub>4</sub> " | 3 <sup>1</sup> / <sub>4</sub> " | 71.0              |
| CAPMP4221ALA | A      | 29 3 <sup>1</sup> / <sub>4</sub> "   | 21"                                 | 19 1 <sup>1</sup> / <sub>4</sub> "  | 19 3 <sup>1</sup> / <sub>4</sub> "   | —                                    | 19 3 <sup>1</sup> / <sub>4</sub> " | 7 <sup>1</sup> / <sub>8</sub> " | 78.0              |
| CAPMP4821ALA | A      | 29 3 <sup>1</sup> / <sub>4</sub> "   | 21"                                 | 19 1 <sup>1</sup> / <sub>4</sub> "  | 19 3 <sup>1</sup> / <sub>4</sub> "   | —                                    | 19 3 <sup>1</sup> / <sub>4</sub> " | 7 <sup>1</sup> / <sub>8</sub> " | 84.0              |
| CAPMP6021ALA | A      | 35"                                  | 21"                                 | 19 1 <sup>1</sup> / <sub>4</sub> "  | 19 3 <sup>1</sup> / <sub>4</sub> "   | —                                    | 19 3 <sup>1</sup> / <sub>4</sub> " | 7 <sup>1</sup> / <sub>8</sub> " | 96.0              |
| CAPMP6121ALA | A      | 35"                                  | 21"                                 | 19 1 <sup>1</sup> / <sub>4</sub> "  | 19 3 <sup>1</sup> / <sub>4</sub> "   | —                                    | 19 3 <sup>1</sup> / <sub>4</sub> " | 7 <sup>1</sup> / <sub>8</sub> " | 98.0              |
| CAPMP6024ALA | A      | 35"                                  | 24 1 <sup>1</sup> / <sub>2</sub> "  | 22 3 <sup>1</sup> / <sub>4</sub> "  | 19 3 <sup>1</sup> / <sub>4</sub> "   | —                                    | 19 3 <sup>1</sup> / <sub>4</sub> " | 7 <sup>1</sup> / <sub>8</sub> " | 101.0             |

A180052

## PERFORMANCE DATA

### COOLING CAPACITIES (MBH) - PURON® REFRIGERANT (R-410A)

| Unit Size<br>CAPMP | Indoor Coil Air |         | Saturated Temperature Leaving Evaporator °F (°C) |       |      |        |       |      |        |       |      |        |       |      |         |       |      |
|--------------------|-----------------|---------|--|-------|------|--------|-------|------|--------|-------|------|--------|-------|------|---------|-------|------|
|                    |                 |         | 30 (-1)  |       |      | 35 (2) |       |      | 40 (4) |       |      | 45 (7) |       |      | 50 (10) |       |      |
|                    |                 |         | CFM  | EWB   | TC   | SHC    | BF    | TC   | SHC    | BF    | TC   | SHC    | BF    | TC   | SHC     | BF    | TC   |
| 1814               | 450             | 72 (22) | 32.00  | 15.70 | 0.00 | 29.30  | 14.30 | 0.00 | 26.40  | 12.80 | 0.00 | 23.10  | 11.30 | 0.00 | 19.50   | 9.70  | 0.01 |
|                    |                 | 67 (19) | 26.80  | 16.10 | 0.01 | 24.10  | 14.60 | 0.01 | 21.10  | 13.10 | 0.01 | 17.80  | 11.50 | 0.02 | 14.20   | 9.90  | 0.02 |
|                    |                 | 62 (17) | 22.10  | 16.50 | 0.02 | 19.30  | 14.90 | 0.02 | 16.40  | 13.40 | 0.02 | 13.20  | 11.80 | 0.02 | 10.30   | 10.30 | 0.05 |
|                    | 600             | 72 (22) | 39.20  | 19.10 | 0.00 | 36.00  | 17.40 | 0.00 | 32.30  | 15.70 | 0.00 | 28.30  | 13.90 | 0.02 | 23.80   | 12.00 | 0.02 |
|                    |                 | 67 (19) | 32.90  | 19.90 | 0.03 | 29.60  | 18.20 | 0.03 | 25.90  | 16.30 | 0.03 | 21.90  | 14.40 | 0.03 | 17.40   | 12.50 | 0.03 |
|                    |                 | 62 (17) | 27.20  | 20.60 | 0.04 | 23.80  | 18.80 | 0.04 | 20.20  | 16.90 | 0.04 | 16.30  | 15.00 | 0.04 | 13.20   | 13.20 | 0.09 |
|                    | 750             | 72 (22) | 45.10  | 21.90 | 0.00 | 41.40  | 20.10 | 0.00 | 37.20  | 18.20 | 0.02 | 32.60  | 16.10 | 0.04 | 27.40   | 14.00 | 0.04 |
|                    |                 | 67 (19) | 38.00  | 23.20 | 0.05 | 34.20  | 21.20 | 0.05 | 29.90  | 19.10 | 0.05 | 25.20  | 17.00 | 0.05 | 20.00   | 14.70 | 0.06 |
|                    |                 | 62 (17) | 31.50  | 24.20 | 0.06 | 27.60  | 22.10 | 0.06 | 23.40  | 20.00 | 0.06 | 19.10  | 17.90 | 0.06 | 15.70   | 15.70 | 0.13 |
| 1917               | 450             | 72 (22) | 33.57  | 18.66 | 0.00 | 31.02  | 17.08 | 0.00 | 28.19  | 15.44 | 0.00 | 25.03  | 13.74 | 0.00 | 21.50   | 11.99 | 0.00 |
|                    |                 | 67 (19) | 28.12  | 18.76 | 0.00 | 25.51  | 17.13 | 0.00 | 22.63  | 15.44 | 0.00 | 19.41  | 13.70 | 0.00 | 15.70   | 11.85 | 0.00 |
|                    |                 | 62 (17) | 23.21  | 18.82 | 0.00 | 20.55  | 17.14 | 0.00 | 17.55  | 15.38 | 0.00 | 14.16  | 13.53 | 0.00 | 10.75   | 10.75 | 0.00 |
|                    | 600             | 72 (22) | 42.86  | 23.54 | 0.00 | 39.66  | 21.61 | 0.00 | 36.05  | 19.58 | 0.00 | 32.00  | 17.44 | 0.00 | 27.44   | 15.21 | 0.00 |
|                    |                 | 67 (19) | 35.94  | 23.88 | 0.00 | 32.64  | 21.86 | 0.00 | 28.94  | 19.74 | 0.00 | 24.78  | 17.52 | 0.00 | 20.12   | 15.22 | 0.00 |
|                    |                 | 62 (17) | 29.69  | 24.13 | 0.00 | 26.29  | 22.02 | 0.00 | 22.49  | 19.82 | 0.00 | 18.20  | 17.50 | 0.00 | 13.85   | 13.85 | 0.00 |
|                    | 750             | 72 (22) | 51.17  | 27.85 | 0.00 | 47.40  | 25.65 | 0.00 | 43.14  | 23.30 | 0.00 | 38.30  | 20.81 | 0.00 | 32.83   | 18.18 | 0.00 |
|                    |                 | 67 (19) | 42.99  | 28.53 | 0.00 | 39.08  | 26.19 | 0.00 | 34.67  | 23.71 | 0.00 | 29.68  | 21.10 | 0.00 | 24.05   | 18.35 | 0.00 |
|                    |                 | 62 (17) | 35.55  | 29.06 | 0.00 | 31.51  | 26.60 | 0.00 | 26.96  | 24.00 | 0.00 | 21.89  | 21.28 | 0.00 | 16.92   | 16.92 | 0.00 |
| 2414<br>2417       | 600             | 72 (22) | 39.40  | 19.20 | 0.00 | 36.30  | 17.60 | 0.00 | 32.80  | 15.90 | 0.00 | 28.90  | 14.10 | 0.00 | 24.50   | 12.20 | 0.01 |
|                    |                 | 67 (19) | 33.10  | 20.00 | 0.01 | 29.90  | 18.20 | 0.01 | 26.30  | 16.40 | 0.01 | 22.40  | 14.50 | 0.02 | 17.90   | 12.60 | 0.02 |
|                    |                 | 62 (17) | 27.40  | 20.50 | 0.02 | 24.10  | 18.70 | 0.02 | 20.50  | 16.90 | 0.02 | 16.60  | 15.00 | 0.02 | 13.10   | 13.10 | 0.05 |
|                    | 800             | 72 (22) | 47.70  | 23.20 | 0.00 | 44.00  | 21.40 | 0.00 | 39.80  | 19.40 | 0.00 | 35.10  | 17.30 | 0.02 | 19.80   | 15.10 | 0.02 |
|                    |                 | 67 (19) | 40.30  | 24.50 | 0.03 | 36.40  | 22.50 | 0.03 | 32.10  | 20.40 | 0.03 | 27.30  | 18.10 | 0.03 | 21.80   | 15.80 | 0.03 |
|                    |                 | 62 (17) | 33.40  | 25.50 | 0.04 | 29.50  | 23.40 | 0.04 | 25.10  | 21.20 | 0.04 | 20.50  | 19.00 | 0.04 | 16.70   | 16.70 | 0.09 |
|                    | 1000            | 72 (22) | 54.30  | 26.40 | 0.00 | 50.20  | 24.40 | 0.00 | 45.40  | 22.30 | 0.02 | 40.10  | 20.00 | 0.04 | 34.00   | 17.50 | 0.04 |
|                    |                 | 67 (19) | 46.00  | 28.20 | 0.05 | 41.70  | 26.10 | 0.05 | 36.80  | 23.70 | 0.05 | 31.20  | 21.20 | 0.05 | 25.00   | 18.60 | 0.05 |
|                    |                 | 62 (17) | 38.30  | 29.80 | 0.05 | 33.80  | 27.50 | 0.06 | 28.90  | 25.10 | 0.06 | 23.80  | 22.60 | 0.06 | 19.90   | 19.90 | 0.14 |
| 2517               | 600             | 72 (22) | 62.57  | 31.59 | 0.00 | 57.94  | 29.03 | 0.00 | 52.74  | 26.32 | 0.00 | 46.87  | 23.47 | 0.00 | 40.26   | 20.49 | 0.00 |
|                    |                 | 67 (19) | 52.49  | 32.04 | 0.00 | 47.71  | 29.35 | 0.00 | 42.35  | 26.53 | 0.00 | 36.33  | 23.57 | 0.00 | 29.57   | 20.49 | 0.00 |
|                    |                 | 62 (17) | 43.37  | 32.39 | 0.00 | 38.45  | 29.58 | 0.00 | 32.95  | 26.63 | 0.00 | 26.73  | 23.54 | 0.00 | 20.26   | 20.26 | 0.00 |
|                    | 800             | 72 (22) | 78.59  | 39.22 | 0.00 | 72.92  | 36.20 | 0.00 | 66.47  | 32.95 | 0.00 | 59.11  | 29.48 | 0.00 | 50.76   | 25.80 | 0.00 |
|                    |                 | 67 (19) | 66.08  | 40.30 | 0.00 | 60.18  | 37.08 | 0.00 | 53.48  | 33.63 | 0.00 | 45.88  | 29.97 | 0.00 | 37.27   | 26.11 | 0.00 |
|                    |                 | 62 (17) | 54.71  | 41.16 | 0.00 | 48.58  | 37.74 | 0.00 | 41.65  | 34.10 | 0.00 | 33.87  | 30.28 | 0.00 | 26.26   | 26.26 | 0.00 |
|                    | 1000            | 72 (22) | 92.27  | 45.67 | 0.00 | 85.78  | 42.35 | 0.00 | 78.32  | 38.73 | 0.00 | 69.75  | 34.80 | 0.00 | 59.94   | 30.58 | 0.00 |
|                    |                 | 67 (19) | 77.81  | 47.56 | 0.00 | 70.99  | 43.94 | 0.00 | 63.20  | 40.04 | 0.00 | 54.28  | 35.83 | 0.00 | 44.08   | 31.34 | 0.00 |
|                    |                 | 62 (17) | 64.59  | 49.11 | 0.00 | 57.46  | 45.22 | 0.00 | 49.36  | 41.05 | 0.00 | 40.28  | 36.63 | 0.00 | 31.96   | 31.96 | 0.00 |
| 3014<br>3017       | 750             | 72 (22) | 49.10  | 24.00 | 0.00 | 45.00  | 21.90 | 0.00 | 40.50  | 19.70 | 0.00 | 35.50  | 17.40 | 0.00 | 30.00   | 15.00 | 0.01 |
|                    |                 | 67 (19) | 41.20  | 24.80 | 0.01 | 37.00  | 22.50 | 0.02 | 32.40  | 20.20 | 0.02 | 27.40  | 17.80 | 0.02 | 21.90   | 15.30 | 0.02 |
|                    |                 | 62 (17) | 34.00  | 25.40 | 0.02 | 29.70  | 23.00 | 0.02 | 25.10  | 20.60 | 0.02 | 20.30  | 18.30 | 0.02 | 16.00   | 16.00 | 0.06 |
|                    | 1000            | 72 (22) | 59.90  | 29.10 | 0.00 | 55.00  | 26.70 | 0.00 | 49.50  | 24.10 | 0.00 | 43.30  | 21.30 | 0.02 | 36.50   | 18.40 | 0.03 |
|                    |                 | 67 (19) | 50.40  | 30.50 | 0.03 | 45.30  | 27.90 | 0.04 | 39.70  | 25.10 | 0.04 | 33.50  | 22.20 | 0.04 | 26.70   | 19.20 | 0.04 |
|                    |                 | 62 (17) | 41.70  | 31.60 | 0.04 | 36.50  | 28.80 | 0.04 | 30.90  | 26.00 | 0.04 | 25.00  | 23.10 | 0.05 | 20.30   | 20.30 | 0.10 |
|                    | 1250            | 72 (22) | 68.80  | 33.40 | 0.00 | 63.20  | 30.70 | 0.00 | 56.80  | 27.80 | 0.03 | 49.70  | 24.70 | 0.04 | 41.90   | 21.40 | 0.05 |
|                    |                 | 67 (19) | 58.00  | 35.40 | 0.06 | 52.20  | 32.40 | 0.06 | 45.70  | 29.30 | 0.06 | 38.50  | 26.00 | 0.06 | 30.60   | 22.60 | 0.07 |
|                    |                 | 62 (17) | 48.00  | 37.00 | 0.07 | 42.10  | 33.90 | 0.07 | 35.70  | 30.70 | 0.07 | 29.20  | 27.50 | 0.07 | 24.20   | 24.20 | 0.01 |
| 3614<br>3617       | 900             | 72 (22) | 60.30  | 29.40 | 0.00 | 55.40  | 26.90 | 0.00 | 49.90  | 24.30 | 0.00 | 43.80  | 21.50 | 0.01 | 37.00   | 18.60 | 0.02 |
|                    |                 | 67 (19) | 50.70  | 30.60 | 0.02 | 45.70  | 27.90 | 0.03 | 40.10  | 25.10 | 0.03 | 33.90  | 22.20 | 0.03 | 27.00   | 19.20 | 0.03 |
|                    |                 | 62 (17) | 41.90  | 31.50 | 0.03 | 36.70  | 28.70 | 0.03 | 31.10  | 25.80 | 0.03 | 25.10  | 22.90 | 0.04 | 20.00   | 20.00 | 0.08 |
|                    | 1200            | 72 (22) | 72.40  | 35.10 | 0.00 | 66.50  | 32.30 | 0.00 | 59.90  | 29.30 | 0.02 | 52.50  | 26.00 | 0.04 | 44.30   | 22.60 | 0.05 |
|                    |                 | 67 (19) | 61.00  | 37.10 | 0.05 | 55.00  | 34.00 | 0.06 | 48.20  | 30.70 | 0.06 | 40.70  | 27.30 | 0.06 | 32.40   | 23.70 | 0.06 |
|                    |                 | 62 (17) | 50.50  | 38.80 | 0.06 | 44.30  | 35.50 | 0.06 | 37.60  | 32.10 | 0.06 | 30.60  | 28.70 | 0.07 | 25.20   | 25.20 | 0.13 |
|                    | 1500            | 72 (22) | 82.20  | 39.90 | 0.00 | 75.60  | 36.90 | 0.02 | 68.10  | 33.50 | 0.05 | 59.70  | 29.90 | 0.07 | 50.40   | 26.10 | 0.08 |
|                    |                 | 67 (19) | 69.40  | 42.70 | 0.08 | 62.60  | 39.30 | 0.08 | 55.00  | 35.70 | 0.08 | 46.40  | 31.80 | 0.09 | 37.00   | 27.80 | 0.09 |
|                    |                 | 62 (17) | 57.70  | 45.10 | 0.09 | 50.70  | 41.40 | 0.09 | 43.10  | 37.70 | 0.09 | 35.50  | 34.00 | 0.10 | 29.80   | 29.80 | 0.18 |
| 3717               | 900             | 72 (22) | 85.28  | 42.35 | 0.00 | 79.12  | 39.14 | 0.00 | 72.10  | 35.69 | 0.00 | 64.07  | 31.97 | 0.00 | 54.91   | 28.01 | 0.00 |
|                    |                 | 67 (19) | 71.79  | 43.83 | 0.00 | 65.36  | 40.38 | 0.00 | 58.05  | 36.68 | 0.00 | 49.72  | 32.73 | 0.00 | 40.25   | 28.53 | 0.00 |
|                    |                 | 62 (17) | 59.49  | 45.02 | 0.00 | 52.78  | 41.34 | 0.00 | 45.22  | 37.41 | 0.00 | 36.79  | 33.30 | 0.00 | 29.00   | 29.00 | 0.00 |
|                    | 1200            | 72 (22) | 103.16   | 50.79 | 0.00 | 96.02  | 47.29 | 0.00 | 87.71  | 43.41 | 0.00 | 78.05  | 39.13 | 0.00 | 66.94   | 34.47 | 0.00 |
|                    |                 | 67 (19) | 87.21  | 53.61 | 0.00 | 79.64  | 49.72 | 0.00 | 70.90  | 45.46 | 0.00 | 60.82  | 40.81 | 0.00 | 49.25   | 35.81 | 0.00 |
|                    |                 | 62 (17) | 72.54  | 55.95 | 0.00 | 64.59  | 51.72 | 0.00 | 55.57  | 47.16 | 0.00 | 45.56  | 42.32 | 0.00 | 37.10   | 37.10 | 0.00 |
|                    | 1500            | 72 (22) | 117.25   | 57.62 | 0.00 | 109.35 | 53.95 | 0.00 | 100.10 | 49.80 | 0.00 | 89.30  | 45.15 | 0.00 | 76.74   | 40.02 | 0.00 |
|                    |                 | 67 (19) | 99.48  | 61.84 | 0.00 | 91.07  | 57.69 | 0.00 | 81.29  | 53.07 | 0.00 | 69.87  | 47.93 | 0.00 | 56.68   | 42.33 | 0.00 |
|                    |                 | 62 (17) | 83.06  | 65.49 | 0.00 | 74.20  | 60.91 | 0.00 | 64.12  | 55.91 | 0.00 | 53.03  | 50.53 | 0.00 | 44.30   | 44.30 | 0.00 |
| 3721               | 900             | 72 (22) | 85.95  | 42.71 | 0.00 | 79.93  | 39.56 | 0.00 | 73.00  | 36.12 | 0.00 | 65.04  | 32.41 | 0.00 | 55.96   | 28.45 | 0.00 |
|                    |                 | 67 (19) | 72.40  | 44.18 | 0.00 | 66.07  | 40.77 | 0.00 | 58.86  | 37.09 | 0.00 | 50.60  | 33.15 | 0.00 | 41.19   | 28.96 | 0.00 |
|                    |                 | 62 (17) | 60.05  | 45.37 | 0.00 | 53.44  | 41.72 | 0.00 | 45.92  | 37.80 | 0.00 | 37.44  | 33.65 | 0.00 | 29.27   | 29.27 | 0.00 |
|                    | 1200            | 72 (22) | 104.44   | 51.43 | 0.00 | 97.39  | 47.95 | 0.00 | 89.16  | 44.08 | 0.00 | 79.65  | 39.82 | 0.00 | 68.66   | 35.19 | 0.00 |
|                    |                 | 67 (19) | 88.33  | 54.23 | 0.00 | 80.87  | 50.38 | 0.00 | 72.22  | 46.13 | 0.00 | 62.25  | 41.51 | 0.00 | 50.73   | 36.50 | 0.00 |
|                    |                 | 62 (17) | 73.55  | 56.59 | 0.00 | 65.68  | 52.38 | 0.00 | 56.68  | 47.81 | 0.00 | 46.52  | 42.91 | 0.00 | 37.58   | 37.58 | 0.00 |
|                    | 1500            | 72 (22) | 119.03   | 58.46 | 0.00 | 111.23 | 54.81 | 0.00 | 102.13 | 50.71 | 0.00 | 91.48  | 46.10 | 0.00 | 79.08   | 41.02 | 0.00 |
|                    |                 | 67 (19) |  |       |      |        |       |      |        |       |      |        |       |      |         |       |      |

**PERFORMANCE DATA (cont.)**

**COOLING CAPACITIES (MBH) - PURON® REFRIGERANT**

| Unit Size CAPMP | Indoor Coil Air |         | Saturated Temperature Leaving Evaporator °F (°C) |       |      |        |       |      |        |       |      |        |       |      |         |       |      |
|-----------------|-----------------|---------|--|-------|------|--------|-------|------|--------|-------|------|--------|-------|------|---------|-------|------|
|                 |                 |         | 30 (-1)  |       |      | 35 (2) |       |      | 40 (4) |       |      | 45 (7) |       |      | 50 (10) |       |      |
|                 | CFM             | EWB     | TC   | SHC   | BF   | TC     | SHC   | BF   | TC     | SHC   | BF   | TC     | SHC   | BF   | TC      | SHC   | BF   |
| 4221            | 1050            | 72 (22) | 75.00  | 36.40 | 0.00 | 69.30  | 33.70 | 0.00 | 62.60  | 30.60 | 0.01 | 55.10  | 27.40 | 0.02 | 46.90   | 24.00 | 0.03 |
|                 |                 | 67 (19) | 63.30  | 38.80 | 0.03 | 57.20  | 35.70 | 0.03 | 50.50  | 32.50 | 0.03 | 42.90  | 29.00 | 0.04 | 33.50   | 25.00 | 0.04 |
|                 |                 | 62 (17) | 52.60  | 40.80 | 0.04 | 46.40  | 37.60 | 0.04 | 39.50  | 34.10 | 0.04 | 32.00  | 30.40 | 0.05 | 26.40   | 26.40 | 0.14 |
|                 | 1400            | 72 (22) | 87.10  | 42.50 | 0.00 | 80.60  | 39.50 | 0.03 | 73.00  | 36.20 | 0.04 | 64.20  | 32.50 | 0.01 | 54.40   | 28.60 | 0.06 |
|                 |                 | 67 (19) | 73.80  | 46.10 | 0.06 | 66.90  | 42.70 | 0.06 | 58.90  | 39.00 | 0.07 | 50.10  | 35.20 | 0.07 | 40.00   | 30.90 | 0.07 |
|                 |                 | 62 (17) | 61.40  | 49.30 | 0.07 | 54.40  | 45.70 | 0.07 | 46.90  | 42.10 | 0.07 | 39.00  | 38.10 | 0.09 | 33.00   | 33.00 | 0.19 |
|                 | 1750            | 72 (22) | 96.50  | 47.40 | 0.05 | 89.50  | 44.30 | 0.07 | 81.30  | 40.80 | 0.07 | 71.70  | 36.90 | 0.08 | 60.50   | 32.60 | 0.09 |
|                 |                 | 67 (19) | 82.10  | 52.30 | 0.09 | 74.60  | 48.80 | 0.09 | 65.90  | 44.90 | 0.09 | 55.90  | 40.60 | 0.09 | 45.10   | 36.20 | 0.10 |
|                 |                 | 62 (17) | 68.60  | 56.80 | 0.10 | 61.00  | 53.10 | 0.10 | 52.90  | 49.10 | 0.10 | 44.90  | 44.90 | 0.12 | 38.70   | 38.70 | 0.24 |
| 4321            | 1050            | 72 (22) | 95.75  | 47.32 | 0.00 | 89.15  | 43.98 | 0.00 | 81.55  | 40.30 | 0.00 | 72.72  | 36.27 | 0.00 | 62.64   | 31.95 | 0.00 |
|                 |                 | 67 (19) | 80.81  | 49.43 | 0.00 | 73.87  | 45.77 | 0.00 | 65.88  | 41.78 | 0.00 | 56.71  | 37.46 | 0.00 | 46.18   | 32.83 | 0.00 |
|                 |                 | 62 (17) | 67.16  | 51.17 | 0.00 | 59.87  | 47.21 | 0.00 | 51.54  | 42.93 | 0.00 | 42.14  | 38.37 | 0.00 | 33.49   | 33.49 | 0.00 |
|                 | 1400            | 72 (22) | 114.53   | 56.27 | 0.00 | 106.97 | 52.67 | 0.00 | 98.10  | 48.62 | 0.00 | 87.81  | 44.12 | 0.00 | 75.84   | 39.17 | 0.00 |
|                 |                 | 67 (19) | 97.13  | 60.04 | 0.00 | 89.08  | 55.99 | 0.00 | 79.75  | 51.52 | 0.00 | 68.84  | 46.55 | 0.00 | 56.19   | 41.13 | 0.00 |
|                 |                 | 62 (17) | 81.09  | 63.28 | 0.00 | 72.60  | 58.83 | 0.00 | 62.86  | 53.96 | 0.00 | 51.93  | 48.71 | 0.00 | 42.81   | 42.81 | 0.00 |
|                 | 1750            | 72 (22) | 128.85   | 63.40 | 0.00 | 120.65 | 59.68 | 0.00 | 111.06 | 55.46 | 0.00 | 99.69  | 50.67 | 0.00 | 86.32   | 45.29 | 0.00 |
|                 |                 | 67 (19) | 109.76   | 68.90 | 0.00 | 101.01 | 64.69 | 0.00 | 90.69  | 59.91 | 0.00 | 78.53  | 54.53 | 0.00 | 64.28   | 48.54 | 0.00 |
|                 |                 | 62 (17) | 92.05  | 73.79 | 0.00 | 82.77  | 69.09 | 0.00 | 72.04  | 63.83 | 0.00 | 60.16  | 58.07 | 0.00 | 51.02   | 51.02 | 0.00 |
| 4821            | 1200            | 72 (22) | 83.40  | 40.60 | 0.00 | 76.70  | 37.20 | 0.00 | 69.30  | 33.60 | 0.00 | 60.90  | 29.80 | 0.01 | 51.70   | 25.80 | 0.02 |
|                 |                 | 67 (19) | 70.10  | 42.30 | 0.02 | 63.20  | 38.60 | 0.03 | 55.60  | 34.80 | 0.03 | 47.20  | 30.80 | 0.04 | 37.80   | 26.60 | 0.04 |
|                 |                 | 62 (17) | 57.90  | 43.50 | 0.04 | 50.90  | 39.70 | 0.04 | 43.20  | 35.70 | 0.04 | 34.90  | 31.70 | 0.04 | 27.70   | 27.70 | 0.08 |
|                 | 1600            | 72 (22) | 100.80   | 48.90 | 0.00 | 92.80  | 45.10 | 0.00 | 83.80  | 40.90 | 0.01 | 73.80  | 36.40 | 0.04 | 62.50   | 31.70 | 0.05 |
|                 |                 | 67 (19) | 84.90  | 51.70 | 0.05 | 76.70  | 47.40 | 0.06 | 67.50  | 42.90 | 0.06 | 57.30  | 38.10 | 0.06 | 45.90   | 33.20 | 0.06 |
|                 |                 | 62 (17) | 70.40  | 53.90 | 0.06 | 62.00  | 49.30 | 0.06 | 52.60  | 44.60 | 0.07 | 42.80  | 39.90 | 0.07 | 35.00   | 35.00 | 0.01 |
|                 | 2000            | 72 (22) | 114.70   | 55.70 | 0.00 | 105.70 | 51.60 | 0.00 | 95.60  | 47.00 | 0.05 | 84.20  | 42.00 | 0.07 | 71.40   | 36.70 | 0.08 |
|                 |                 | 67 (19) | 97.00  | 59.50 | 0.08 | 87.70  | 54.90 | 0.08 | 77.30  | 49.90 | 0.09 | 65.60  | 44.60 | 0.09 | 52.50   | 39.00 | 0.09 |
|                 |                 | 62 (17) | 80.60  | 62.80 | 0.09 | 71.00  | 57.70 | 0.09 | 60.50  | 52.50 | 0.09 | 49.60  | 47.20 | 0.10 | 41.30   | 41.30 | 0.18 |
| 6021<br>6024    | 1600            | 72 (22) | 109.20   | 53.40 | 0.00 | 100.00 | 48.60 | 0.00 | 89.90  | 43.60 | 0.00 | 78.60  | 38.50 | 0.00 | 66.40   | 33.10 | 0.02 |
|                 |                 | 67 (19) | 91.50  | 55.10 | 0.02 | 82.10  | 50.00 | 0.03 | 71.90  | 44.80 | 0.03 | 60.70  | 39.40 | 0.03 | 48.40   | 34.00 | 0.03 |
|                 |                 | 62 (17) | 75.40  | 56.30 | 0.03 | 65.90  | 51.00 | 0.03 | 55.60  | 45.70 | 0.04 | 44.80  | 40.40 | 0.04 | 35.30   | 35.30 | 0.07 |
|                 | 2000            | 72 (22) | 128.00   | 62.52 | 0.00 | 117.20 | 56.90 | 0.00 | 105.20 | 51.20 | 0.00 | 92.00  | 45.20 | 0.02 | 77.50   | 39.10 | 0.04 |
|                 |                 | 67 (19) | 107.40   | 64.90 | 0.04 | 96.40  | 59.10 | 0.04 | 84.30  | 53.00 | 0.05 | 71.10  | 46.80 | 0.05 | 56.60   | 40.50 | 0.05 |
|                 |                 | 62 (17) | 88.60  | 66.90 | 0.05 | 77.50  | 60.80 | 0.05 | 65.30  | 54.60 | 0.05 | 52.70  | 48.50 | 0.06 | 42.40   | 42.40 | 0.11 |
|                 | 2400            | 72 (22) | 144.20   | 70.00 | 0.00 | 132.10 | 64.20 | 0.00 | 118.50 | 57.90 | 0.01 | 103.60 | 51.20 | 0.04 | 87.20   | 44.30 | 0.06 |
|                 |                 | 67 (19) | 121.20   | 73.60 | 0.06 | 108.80 | 67.20 | 0.06 | 95.10  | 60.40 | 0.07 | 80.10  | 53.50 | 0.07 | 63.70   | 46.40 | 0.07 |
|                 |                 | 62 (17) | 100.10   | 76.40 | 0.07 | 87.50  | 69.60 | 0.07 | 73.80  | 62.70 | 0.07 | 59.80  | 56.00 | 0.08 | 48.90   | 48.90 | 0.14 |
| 6121<br>6124    | 1600            | 72 (22) | 133.10   | 65.29 | 0.00 | 124.38 | 61.09 | 0.00 | 114.12 | 56.35 | 0.00 | 102.04 | 51.04 | 0.00 | 87.92   | 45.18 | 0.00 |
|                 |                 | 67 (19) | 112.92   | 69.55 | 0.00 | 103.56 | 64.81 | 0.00 | 92.62  | 59.52 | 0.00 | 79.80  | 53.65 | 0.00 | 64.92   | 47.24 | 0.00 |
|                 |                 | 62 (17) | 94.29  | 73.16 | 0.00 | 84.32  | 67.90 | 0.00 | 72.85  | 62.14 | 0.00 | 59.93  | 55.91 | 0.00 | 48.98   | 48.98 | 0.00 |
|                 | 2000            | 72 (22) | 150.19   | 73.70 | 0.00 | 140.73 | 69.39 | 0.00 | 129.45 | 64.43 | 0.00 | 116.13 | 58.76 | 0.00 | 100.38  | 52.39 | 0.00 |
|                 |                 | 67 (19) | 127.98   | 79.99 | 0.00 | 117.77 | 75.03 | 0.00 | 105.67 | 69.38 | 0.00 | 91.36  | 63.01 | 0.00 | 74.55   | 55.91 | 0.00 |
|                 |                 | 62 (17) | 107.36   | 85.50 | 0.00 | 96.47  | 79.93 | 0.00 | 83.81  | 73.69 | 0.00 | 69.74  | 66.88 | 0.00 | 58.70   | 58.70 | 0.00 |
|                 | 2400            | 72 (22) | 163.45   | 80.69 | 0.00 | 153.55 | 76.31 | 0.00 | 141.65 | 71.22 | 0.00 | 127.40 | 65.35 | 0.00 | 110.42  | 58.64 | 0.00 |
|                 |                 | 67 (19) | 139.86   | 88.99 | 0.00 | 129.06 | 83.92 | 0.00 | 116.15 | 78.06 | 0.00 | 100.72 | 71.35 | 0.00 | 82.51   | 63.78 | 0.00 |
|                 |                 | 62 (17) | 117.85   | 96.47 | 0.00 | 106.33 | 90.72 | 0.00 | 92.96  | 84.20 | 0.00 | 78.33  | 76.91 | 0.00 | 67.38   | 67.38 | 0.00 |

Legend:

CFM – Cubic Ft. per Minute      EWB – Entering Wet Bulb (°F)      LWB – Leaving Wet Bulb (°F)      TC – Gross Cooling Capacity 1000 Btuh  
 SHC – Gross Sensible Capacity 1000 Btuh      BF – Bypass Factor      MBH – 1000 Btuh

See notes on page 7.

**COIL STATIC PRESSURE DROP (in. w.c.) PURON® (R-410A)**

| Unit Size | STANDARD CFM |       |       |       |       |       |       |       |       |       |       |       |       |       |       |       |       |       |       |  |  |
|-----------|--------------|-------|-------|-------|-------|-------|-------|-------|-------|-------|-------|-------|-------|-------|-------|-------|-------|-------|-------|--|--|
|           | 400          | 500   | 600   | 700   | 800   | 900   | 1000  | 1100  | 1200  | 1300  | 1400  | 1500  | 1600  | 1700  | 1800  | 1900  | 2000  | 2100  | 2200  |  |  |
| 1814      | Dry          |       |       |       |       |       |       |       |       |       |       |       |       |       |       |       |       |       |       |  |  |
|           | 0.079        | 0.111 | 0.145 | 0.186 | 0.232 |       |       |       |       |       |       |       |       |       |       |       |       |       |       |  |  |
|           | Wet          |       |       |       |       |       |       |       |       |       |       |       |       |       |       |       |       |       |       |  |  |
|           | 0.083        | 0.116 | 0.151 | 0.196 | 0.243 |       |       |       |       |       |       |       |       |       |       |       |       |       |       |  |  |
| 1917      | Dry          |       |       |       |       |       |       |       |       |       |       |       |       |       |       |       |       |       |       |  |  |
|           | 0.077        | 0.099 | 0.124 | 0.152 | 0.182 |       |       |       |       |       |       |       |       |       |       |       |       |       |       |  |  |
|           | Wet          |       |       |       |       |       |       |       |       |       |       |       |       |       |       |       |       |       |       |  |  |
|           | 0.088        | 0.113 | 0.137 | 0.170 | 0.209 |       |       |       |       |       |       |       |       |       |       |       |       |       |       |  |  |
| 2414      | Dry          |       |       |       |       |       |       |       |       |       |       |       |       |       |       |       |       |       |       |  |  |
|           | 0.065        | 0.091 | 0.120 | 0.154 | 0.194 | 0.237 | 0.284 |       |       |       |       |       |       |       |       |       |       |       |       |  |  |
|           | Wet          |       |       |       |       |       |       |       |       |       |       |       |       |       |       |       |       |       |       |  |  |
|           | 0.066        | 0.094 | 0.124 | 0.161 | 0.203 | 0.250 | 0.301 |       |       |       |       |       |       |       |       |       |       |       |       |  |  |
| 2417      | Dry          |       |       |       |       |       |       |       |       |       |       |       |       |       |       |       |       |       |       |  |  |
|           | 0.056        | 0.076 | 0.097 | 0.123 | 0.151 | 0.182 | 0.215 |       |       |       |       |       |       |       |       |       |       |       |       |  |  |
|           | Wet          |       |       |       |       |       |       |       |       |       |       |       |       |       |       |       |       |       |       |  |  |
|           | 0.060        | 0.082 | 0.105 | 0.132 | 0.163 | 0.195 | 0.231 |       |       |       |       |       |       |       |       |       |       |       |       |  |  |
| 2517      | Dry          |       |       |       |       |       |       |       |       |       |       |       |       |       |       |       |       |       |       |  |  |
|           | 0.069        | 0.090 | 0.111 | 0.136 | 0.165 | 0.193 | 0.227 |       |       |       |       |       |       |       |       |       |       |       |       |  |  |
|           | Wet          |       |       |       |       |       |       |       |       |       |       |       |       |       |       |       |       |       |       |  |  |
|           | 0.071        | 0.090 | 0.113 | 0.136 | 0.164 | 0.196 | 0.229 |       |       |       |       |       |       |       |       |       |       |       |       |  |  |
| 3014      | Dry          |       |       |       |       |       |       |       |       |       |       |       |       |       |       |       |       |       |       |  |  |
|           | 0.054        | 0.077 | 0.102 | 0.133 | 0.167 | 0.206 | 0.248 | 0.296 | 0.347 |       |       |       |       |       |       |       |       |       |       |  |  |
|           | Wet          |       |       |       |       |       |       |       |       |       |       |       |       |       |       |       |       |       |       |  |  |
|           | 0.059        | 0.084 | 0.111 | 0.142 | 0.181 | 0.223 | 0.269 | 0.319 | 0.375 |       |       |       |       |       |       |       |       |       |       |  |  |
| 3017      | Dry          |       |       |       |       |       |       |       |       |       |       |       |       |       |       |       |       |       |       |  |  |
|           | 0.043        | 0.059 | 0.077 | 0.096 | 0.119 | 0.144 | 0.171 | 0.201 | 0.232 |       |       |       |       |       |       |       |       |       |       |  |  |
|           | Wet          |       |       |       |       |       |       |       |       |       |       |       |       |       |       |       |       |       |       |  |  |
|           | 0.046        | 0.063 | 0.083 | 0.105 | 0.130 | 0.157 | 0.186 | 0.219 | 0.252 |       |       |       |       |       |       |       |       |       |       |  |  |
| 3614      | Dry          |       |       |       |       |       |       |       |       |       |       |       |       |       |       |       |       |       |       |  |  |
|           | 0.047        | 0.069 | 0.093 | 0.119 | 0.151 | 0.187 | 0.227 | 0.270 | 0.317 | 0.362 | 0.418 |       |       |       |       |       |       |       |       |  |  |
|           | Wet          |       |       |       |       |       |       |       |       |       |       |       |       |       |       |       |       |       |       |  |  |
|           | 0.053        | 0.076 | 0.101 | 0.129 | 0.162 | 0.200 | 0.241 | 0.286 | 0.335 | 0.388 | 0.447 |       |       |       |       |       |       |       |       |  |  |
| 3617      | Dry          |       |       |       |       |       |       |       |       |       |       |       |       |       |       |       |       |       |       |  |  |
|           | 0.023        | 0.036 | 0.052 | 0.069 | 0.089 | 0.110 | 0.135 | 0.160 | 0.189 | 0.219 | 0.251 |       |       |       |       |       |       |       |       |  |  |
|           | Wet          |       |       |       |       |       |       |       |       |       |       |       |       |       |       |       |       |       |       |  |  |
|           | 0.042        | 0.058 | 0.076 | 0.095 | 0.117 | 0.142 | 0.169 | 0.198 | 0.231 | 0.265 | 0.299 |       |       |       |       |       |       |       |       |  |  |
| 3717      | Dry          |       |       |       |       |       |       |       |       |       |       |       |       |       |       |       |       |       |       |  |  |
|           | 0.077        | 0.099 | 0.124 | 0.152 | 0.182 | 0.216 | 0.253 | 0.294 | 0.338 |       |       |       |       |       |       |       |       |       |       |  |  |
|           | Wet          |       |       |       |       |       |       |       |       |       |       |       |       |       |       |       |       |       |       |  |  |
|           | 0.088        | 0.113 | 0.137 | 0.170 | 0.209 | 0.247 | 0.287 | 0.326 | 0.368 |       |       |       |       |       |       |       |       |       |       |  |  |
| 3721      | Dry          |       |       |       |       |       |       |       |       |       |       |       |       |       |       |       |       |       |       |  |  |
|           |              |       | 0.059 | 0.073 | 0.090 | 0.111 | 0.135 | 0.162 | 0.191 | 0.222 | 0.254 |       |       |       |       |       |       |       |       |  |  |
|           | Wet          |       |       |       |       |       |       |       |       |       |       |       |       |       |       |       |       |       |       |  |  |
|           |              |       | 0.073 | 0.096 | 0.120 | 0.147 | 0.176 | 0.207 | 0.240 | 0.276 | 0.314 |       |       |       |       |       |       |       |       |  |  |
| 4221      | Dry          |       |       |       |       |       |       |       |       |       |       |       |       |       |       |       |       |       |       |  |  |
|           |              |       | 0.044 | 0.056 | 0.068 | 0.082 | 0.099 | 0.119 | 0.138 | 0.161 | 0.183 | 0.205 | 0.233 |       |       |       |       |       |       |  |  |
|           | Wet          |       |       |       |       |       |       |       |       |       |       |       |       |       |       |       |       |       |       |  |  |
|           |              |       | 0.058 | 0.073 | 0.089 | 0.106 | 0.125 | 0.143 | 0.165 | 0.189 | 0.213 | 0.239 | 0.268 |       |       |       |       |       |       |  |  |
| 4321      | Dry          |       |       |       |       |       |       |       |       |       |       |       |       |       |       |       |       |       |       |  |  |
|           |              |       | 0.059 | 0.073 | 0.090 | 0.111 | 0.135 | 0.162 | 0.191 | 0.222 | 0.254 | 0.288 | 0.323 |       |       |       |       |       |       |  |  |
|           | Wet          |       |       |       |       |       |       |       |       |       |       |       |       |       |       |       |       |       |       |  |  |
|           |              |       | 0.073 | 0.096 | 0.120 | 0.147 | 0.176 | 0.207 | 0.240 | 0.276 | 0.314 | 0.354 | 0.396 |       |       |       |       |       |       |  |  |
| 4821      | Dry          |       |       |       |       |       |       |       |       |       |       |       |       |       |       |       |       |       |       |  |  |
|           |              |       | 0.055 | 0.072 | 0.089 | 0.107 | 0.128 | 0.150 | 0.175 | 0.199 | 0.228 | 0.257 | 0.288 | 0.321 | 0.356 |       |       |       |       |  |  |
|           | Wet          |       |       |       |       |       |       |       |       |       |       |       |       |       |       |       |       |       |       |  |  |
|           |              |       | 0.058 | 0.075 | 0.094 | 0.115 | 0.136 | 0.161 | 0.188 | 0.217 | 0.247 | 0.279 | 0.313 | 0.347 | 0.386 |       |       |       |       |  |  |
| 6021      | Dry          |       |       |       |       |       |       |       |       |       |       |       |       |       |       |       |       |       |       |  |  |
|           |              |       |       |       | 0.075 | 0.093 | 0.112 | 0.133 | 0.157 | 0.181 | 0.206 | 0.234 | 0.264 | 0.294 | 0.326 | 0.360 | 0.396 | 0.432 | 0.478 |  |  |
|           | Wet          |       |       |       |       |       |       |       |       |       |       |       |       |       |       |       |       |       |       |  |  |
|           |              |       |       |       | 0.077 | 0.095 | 0.115 | 0.137 | 0.159 | 0.184 | 0.209 | 0.238 | 0.268 | 0.300 | 0.334 | 0.370 | 0.407 | 0.444 | 0.488 |  |  |
| 6024      | Dry          |       |       |       |       |       |       |       |       |       |       |       |       |       |       |       |       |       |       |  |  |
|           |              |       |       |       | 0.073 | 0.083 | 0.095 | 0.107 | 0.120 | 0.136 | 0.152 | 0.169 | 0.184 | 0.203 | 0.217 | 0.238 | 0.260 | 0.283 | 0.307 |  |  |
|           | Wet          |       |       |       |       |       |       |       |       |       |       |       |       |       |       |       |       |       |       |  |  |
|           |              |       |       |       | 0.076 | 0.086 | 0.098 | 0.110 | 0.124 | 0.140 | 0.157 | 0.175 | 0.193 | 0.215 | 0.238 | 0.261 | 0.286 | 0.314 | 0.342 |  |  |
| 6121      | Dry          |       |       |       |       |       |       |       |       |       |       |       |       |       |       |       |       |       |       |  |  |
|           |              |       |       |       |       | 0.111 | 0.133 | 0.153 | 0.163 | 0.204 | 0.234 | 0.262 | 0.293 | 0.326 | 0.366 | 0.392 | 0.437 | 0.480 | 0.520 |  |  |
|           | Wet          |       |       |       |       |       |       |       |       |       |       |       |       |       |       |       |       |       |       |  |  |
|           |              |       |       |       |       | 0.130 | 0.150 | 0.183 | 0.210 | 0.245 | 0.280 | 0.320 | 0.355 | 0.400 | 0.435 | 0.480 | 0.525 | 0.570 | 0.630 |  |  |
| 6124      | Dry          |       |       |       |       |       |       |       |       |       |       |       |       |       |       |       |       |       |       |  |  |
|           |              |       |       |       |       | 0.099 | 0.113 | 0.127 | 0.144 | 0.162 | 0.182 | 0.203 | 0.227 | 0.252 | 0.279 | 0.307 | 0.337 | 0.369 | 0.403 |  |  |
|           | Wet          |       |       |       |       |       |       |       |       |       |       |       |       |       |       |       |       |       |       |  |  |
|           |              |       |       |       |       | 0.118 | 0.140 | 0.163 | 0.187 | 0.213 | 0.239 | 0.266 | 0.295 | 0.325 | 0.355 | 0.387 | 0.420 | 0.454 | 0.489 |  |  |

**COOLING CAPACITIES NOTES:**

1. Contact manufacturer for cooling capacities at conditions other than shown in table.
2. Formulas:

$$\text{Leaving db} = \text{entering db} - \frac{\text{sensible heat cap.}}{1.09 \times \text{CFM}}$$

Leaving wb = wb corresponding to enthalpy of air leaving coil ( $h_{LWB}$ )

$$h_{LWB} = h_{EWB} - \frac{\text{total capacity (Btuh)}}{4.5 \times \text{CFM}}$$

Where  $h_{EWB}$  = enthalpy of air entering coil

3. SHC is based on 80°F db temperature of air entering the evaporator coil.  
Below 80°F db, subtract (Correction Factor x CFM) from SHC.  
Above 80°F db, add (Correction Factor x CFM) to SHC.
4. Direct interpolation is permissible. Do not extrapolate.
5. Fan motor heat has not been deducted.
6. All data points are based on 10°F superheat leaving coil and use of thermostatic expansion valve (TXV) device.
7. All units have sweat suction-tube connection and a liquid-tube connection. For 1-1/8-in. system suction tube, 3/4 x 1-1/8-in. suction tube connection adapter is available as accessory.
8. The CAPMP coils can be used in any properly designed system using Puron Refrigerant (R-410A).
9. Before using maximum cfm shown in table, check coil static pressure drop to ensure system blower can provide necessary static pressure needed for coil and duct systems.
10. Bypass Factor = 0 indicates no psychometric solution. Use bypass factor of next lower EWB for approximation.

| BYPASS FACTOR     | ENTERING AIR DRY BULB TEMPERATURE (°F) |      |      |      |      |                         |
|-------------------|--|------|------|------|------|-------------------------|
|                   | 79                                     | 78   | 77   | 76   | 75   | Under 75                |
|                   | 81                                     | 82   | 83   | 84   | 84   | Above 85                |
| Correction Factor |  |      |      |      |      |                         |
| 0.10              | 0.98                                   | 1.96 | 2.94 | 3.92 | 4.91 | Use formula shown below |
| 0.20              | 0.87                                   | 1.74 | 2.62 | 3.49 | 4.36 |                         |
| 0.30              | 0.76                                   | 1.53 | 2.29 | 3.05 | 3.82 |                         |

Interpolation is permissible.

$$\text{Correction Factor} = 1.09 \times (1 - \text{BF}) \times (\text{db} - 80)$$

