

TOTALINE® EQUIPMENT PADS

CLADLITE EQUIPMENT PADS

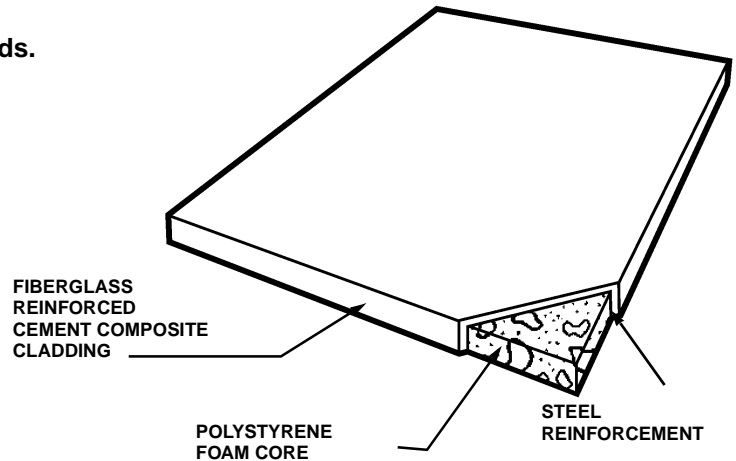
Lightweight, concrete appearance and superior performance at 20% the weight of conventional pads.

TOTALINE's specially formulated cladding (3/8" on top and 1" on the sides) is pound for pound stronger than ordinary concrete - and provides superior resistance to sun, moisture, and freeze-thaw conditions.

The polystyrene foam core absorbs sound and vibrations, and contributes to the extremely light weight. Virtually impervious to water, soil conditions, fungus, and bacteria, the core is firmly bonded to the cement cladding and will last indefinitely with normal use.

Continuous steel reinforcement throughout the cladding makes even our smallest pads suitable for the heaviest units, and gets them to you in the same good shape as when they leave the factory.

TOTALINE pads are code approved for installation in all locations in the U.S. and they're available in all the most common sizes.



P802

2" Cladlite Pads

SIZE (in.)	P/N	WEIGHT (lb)
24 x 24	P152-2424	28
24 x 30	P152-2430	32
24 x 36	P152-2436	43
24 x 42	P152-2442	49
24 x 48	P152-2448	61
24 x 54	P152-2454	71
26 x 36	P152-2636	46
30 x 30	P152-3030	41
30 x 36	P152-3036	51
30 x 40	P152-3040	60
31 x 43	P152-3143	71
32 x 32	P152-3232	46
32 x 37	P152-3237	56
34 x 34	P152-3434	54
36 x 36	P152-3636	65
36 x 40	P152-3640	58
36 x 48	P152-3643	98
41 x 47	P152-4147	97

NOTE: Other sizes are available on special order and quotation basis.

3" Cladlite Pads

SIZE (in.)	P/N	WEIGHT (lb)
24 x 24	P153-2424	36
24 x 30	P153-2430	48
24 x 36	P153-2436	54
24 x 48	P153-2448	60
30 x 30	P153-3030	54
30 x 36	P153-3036	60
30 x 40	P153-3040	80
32 x 32	P153-3232	57
32 x 37	P153-3237	74
33 x 45	P153-3345	99
34 x 34	P153-3434	62
36 x 36	P153-3636	80
36 x 48	P153-3648	112
36 x 60	P153-3660	139
40 x 62	P153-4062	152
41 x 47	P153-4147	117
45 x 50	P153-4550	134
45 x 58	P153-4558	150
50 x 53	P153-5053	99
50 x 56	P153-5056	120
55 x 57	P153-5557	201
60 x 67	P153-6067	241

Hunklite Equipment Pads

A Durable Pad that is Easy to Install

The Hunklite pads offer higher flexibility and resistance to breaking than ordinary concrete because they are 100% steel reinforced. The 3/4" material thickness with ribbed support construction is similar to pre-cast concrete bridge pans. The pads are designed to meet or exceed most local code requirements.

2" Hunklite Pads

SIZE (in.)	P/N	WEIGHT (lb)
24 x 24	P134-2424H	46
30 x 30	P134-3030H	92
30 x 42	P134-3042H	102
36 x 36	P134-3636H	102
36 x 48	P134-3648H	145

3" Hunklite Pads

SIZE (in.)	P/N	WEIGHT (lb)
24 x 24	P135-2424H	62
30 x 30	P135-3030H	92
30 x 42	P135-3042H	131
32 x 32	P135-3232H	109
36 x 36	P135-3636H	140
36 x 42	P135-3642H	141
36 x 48	P135-3648H	176

TOTALINE® EQUIPMENT PADS

E-LITE EQUIPMENT PADS

A Lightweight Pad That is Not Too Light

The rugged design of E-Lite pads provide uniform and generous ribbing for optimum, self-leveling ground support without inserts.

The classic appearance is enhanced by round edges and a concrete gray color. a subtle texture prevents unit slide. Each pad is molded with a size label and a symbol representing content of recycled material.

Each pad is molded with a size label and a symbol representing content of recycled material.

2" E-Lite Pads

SIZE (in.)	P/N	WEIGHT (lb)
24 x 24	P142E-2424	10
24 x 30	P142E-2430	12
24 x 36	P142E-2436	14
30 x 30	P142E-3030	15
30 x 36	P142E-3036	18
30 x 40	P142E-3040	20
32 x 32	P142E-3232	17
32 x 38	P142E-3238	20
32 x 44	P142E-3244	24
36 x 36	P142E-3636	22
36 x 40	P142E-3640	24
36 x 48	P142E-3648	33

3" E-Lite Pads

SIZE (in.)	P/N	WEIGHT (lb)
24 x 24	P143E-2424	14
24 x 30	P143E-2430	19
24 x 36	P143E-2436	22
30 x 30	P143E-3030	23
30 x 36	P143E-3036	27
30 x 40	P143E-3040	32
32 x 32	P143E-3232	23
32 x 38	P143E-3238	29
32 x 44	P143E-3244	32
36 x 36	P143E-3636	32
36 x 48	P143E-3648	45

Ultralite Equipment Pads

The lightest concrete equipment pad ever manufactured. Can be dropped without breaking, yet still retains the quality, permanence and homeowner preference of concrete.

- Concrete pad at the weight of plastic (approx. 2.5 lbs/sq ft).
- Impact and breakage resistant with excellent flexible strength.
- Unlike plastics, unaffected by U.V., temperature extremes and other weather conditions.
- Molded and textured surface prevents unit slide and promotes moisture drain.

2" Ultralite Pads

SIZE (in.)	P/N	WEIGHT (lb)
16 x 36	P132-1636	10
24 x 24	P132-2424	10
24 x 30	P132-2430	13
24 x 36	P132-2436	16
26 x 26	P132-2626	12
26 x 36	P132-2636	16
30 x 30	P132-3030	16
30 x 36	P132-3036	19
30 x 40	P132-3040	21
31 x 43	P132-3143	23
32 x 32	P132-3232	18
32 x 37	P132-3237	21
34 x 34	P132-3434	20
36 x 36	P132-3636	22
36 x 40	P132-3640	25
36 x 48	P132-3648	30
41 x 47	P132-4147	33

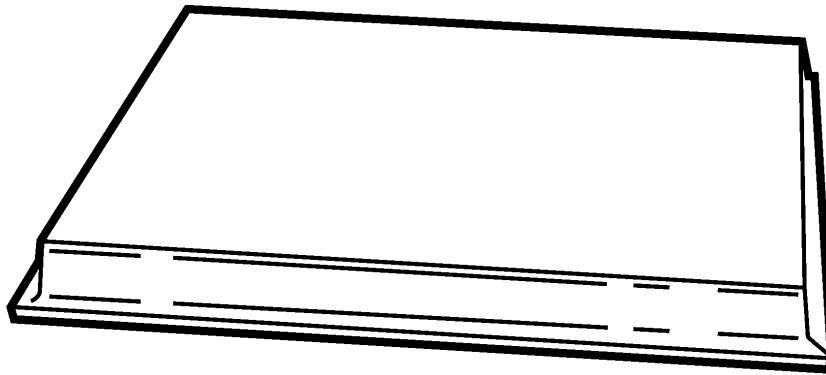
- Engineered EPS core bottom will not allow mold or fungus growth and also dampens vibration and easily conforms to uneven ground conditions.
- Lifetime warranty.

3" Ultralite Pads

SIZE (in.)	P/N	WEIGHT (lb)
24 x 24	P133-2424	11
24 x 30	P133-2430	14
24 x 36	P133-2436	17
24 x 42	P133-2442	20
24 x 48	P133-2448	22
26 x 26	P133-2626	13
28 x 38	P133-2838	20
30 x 30	P133-3030	17
30 x 36	P133-3036	20
30 x 40	P133-3040	23
32 x 32	P133-3232	19
32 x 37	P133-3237	22
33 x 53	P133-3353	52
34 x 34	P133-3434	22
34 x 45	P133-3445	28
36 x 36	P133-3636	23
36 x 48	P133-3648	31
43 x 47	P133-4347	37
45 x 50	P133-4550	66
48 x 48	P133-4848	68
48 x 66	P133-4866	94

TOTALINE® EQUIPMENT PADS

TOTALINE® LIGHTWEIGHT PLASTIC EQUIPMENT PADS



P803

- ONLY 28% OF THE WEIGHT OF CONVENTIONAL PADS
- POUND FOR POUND STRONGER THAN CONCRETE
- CAN BE EASILY STORED OR STAKED
- AVAILABLE IN OVER 20 SIZES
- LESS BREAKAGE
- EASIER HANDLING IN THE WAREHOUSE
- LOWER SHIPPING AND HANDLING COST
- COMPETITIVELY PRICES
- GREY COLOR RESISTS U.V. DETERIORATION
- EXCELLENT FREEZE & THAW PROTECTION

2" PADS

SIZE (IN.)	P/N
24 x 24	P142-2424
24 x 30	P142-2430
24 x 36	P142-2436
24 x 42	P142-2442
24 x 48	P142-2448
24 x 54	P142-2454
24 x 60	P142-2460
32 x 32	P142-3232
32 x 44	P142-3244
38 x 30	P142-3830
38 x 36	P142-3836
38 x 42	P142-3842
38 x 48	P142-3848
38 x 54	P142-3854
38 x 60	P142-3860

3" PADS

SIZE (IN.)	P/N
24 x 24	P143-2424
24 x 30	P143-2430
24 x 36	P143-2436
24 x 42	P143-2442
24 x 48	P143-2448
24 x 60	P143-2460
30 x 30	P143-3030
30 x 50	P143-3050
32 x 32	P143-3232
32 x 38	P143-3238
32 x 44	P143-3244
36 x 36	P143-3636
36 x 50	P143-3650
38 x 38	P143-3848
42 x 50	P143-4250
48 x 50	P143-4850
50 x 55	P143-5055

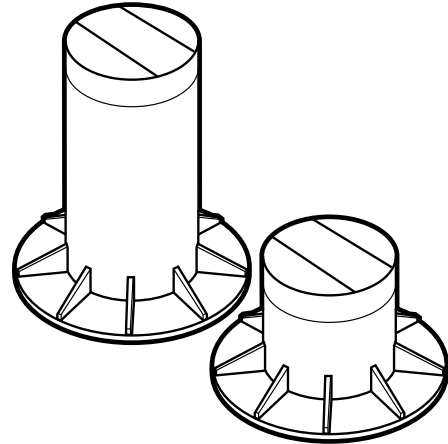
HEAT PUMP COLUMN RISERS

HEAT PUMP COLUMN RISERS

- High impact polypropylene, grey color.
- Allows heat pumps to be raised for proper ventilation.
- Easy one man installation.
- Available in 4", 8", 12", and 16" heights.
- 2" and 4" riser inserts also available to increase riser's height for proper heat pump ventilation.

Column Risers

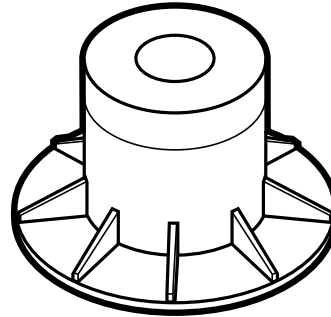
HEIGHT (in.)	TOP DIAMETER (in.)	BASE DIAMETER (in.)	PART NUMBER
4	4.5	8.25	P165-X401
8	4.5	8.25	P165-X801
12	4.5	8.25	P165-X1201
16	4.5	8.25	P165-X1601



P4198

Risers Inserts

HEIGHT (in.)	DIAMETER (in.)	PART NUMBER
2	4.5	P165-X221
2	4.5	P165-X441



P4199