



A CSW Industrials Company

# PRODUCT DATA SHEET

## METACAULK® 835+ Elastomeric, Silicone Firestop Sealant

### Description

Metacaulk 835+ is a one component, fire-rated elastomeric neutral, moisture cure silicone sealant for use in through-penetration firestops and construction joints. Available in caulk grade and self leveling. In the event of a fire, Metacaulk 835+ will prevent the spread of flames, smoke, gas and water through penetration openings. Metacaulk 835+ caulk grade is a flexible, non-slumping sealant with excellent moisture resistance. For use in interior or exterior expansion and control joints and interior or exterior penetrations. Because Metacaulk 835+ is silicone based, it can be used in systems where dynamic movement is expected. Metacaulk 835+ is protected in a wet stage as well as in a dry stage against mold growth with a combination of biocides.



### Applications

Metacaulk 835+ caulk grade is used to seal wall and floor penetrations for electrical, plumbing, pipe and telephone communication systems penetrations. Non-Slump Metacaulk 835+ formula is used in vertical and horizontal applications. Use Metacaulk 835+ to prevent the spread of fire through fire rated gypsum wallboard partitions, concrete block or concrete walls and concrete floors. Self leveling is used for curtain wall and floor joint applications.

### Characteristics | Features

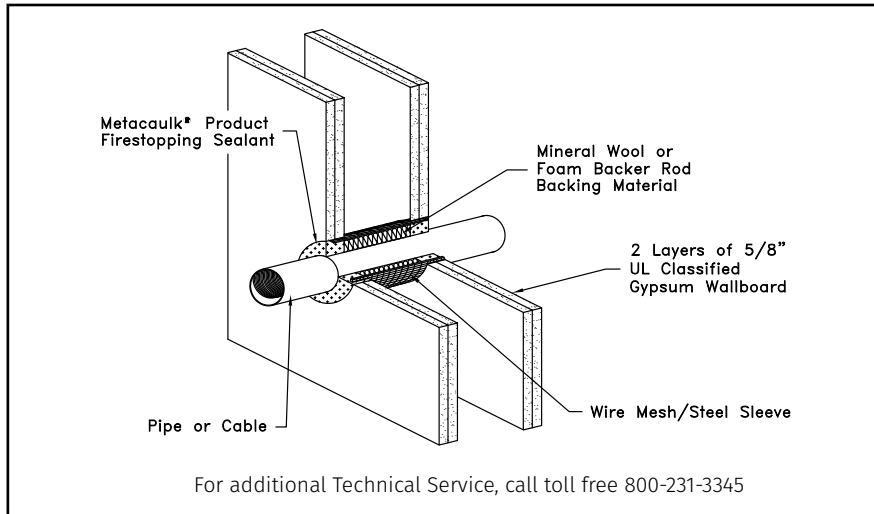
- A single component penetration sealant system - no mixing necessary and no required additives
- Weather/Chemical resistant
- Use in interior or exterior expansion, contraction and control joints
- Use in exterior and interior penetrations
- Neutral, moisture cure
- D O T classification is not regulated
- Non-slump formula- caulk grade
- A special purpose firestop sealant
- Safe and easy to use
- 2 Year shelf life
- STC 55

### Packaging

Code	Size	Qty. per Case	Dimensions (in)	Cubic Feet
66645	10.15 oz cartridge	12	8x6x12	.34
66300	20.2 oz foil pack	12	9x14x7	.51
66301	20.2 oz. foil pack self leveling	12	11x9x17	.51
66019	5 Gallon	1	13 diax14	1.08

## Installation Data

Install Metacaulk 835+ using standard caulking techniques or trowel from pails.



### TYPICAL GYPSUM WALLBOARD INSTALLATION

**Step 1** Cut opening in floor or wall.

**Step 2** Clean penetration opening and surfaces from loose debris, dirt, oil and wax.

**Step 3** Install wire mesh if required. Form wire mesh into cylinder to match hole diameter. Slip wire mesh inside wall along penetrating item and allow mesh to spring back against hole.

**Step 4** Install backing material if required.

**Step 5** Gun the sealant as required to the specified depth. Trowel surface flush with wall.

Consult UL Online Certifications Directory for complete instructions and system listings.

## Testing Data

Metacaulk 835+ is classified by Underwriters Laboratories Inc. as a Fill, Void, or Cavity Material. For specific test criteria see UL Fire Resistance Directory or call RectorSeal.

Metacaulk 835+ was tested at a minimum 0.01 inches (2.5 Pa) water, positive pressure, in accordance with ASTM E814 (UL 1479) and ASTM E1966 (UL 2079) test standards. Tested to the time-temperature requirements of ASTM E119 (UL 263).

Metacaulk 835+ caulk, 5 gallon and cartridge meets ASTM C920, Type S, Grade NS, Class 25, Use NT, M, G, A, O and Can CGSB-19.13-M87, Class MCG-2-40-A-L. Self Leveling meets Grade SL.

Sound Transmission Class (STC) 55 - The test was performed in accordance with ASTM E90, Standard Test Method for Laboratory Measurement of Airborne Sound Transmission Loss of Building Partitions and Elements.



FBC™ System Compatible\* indicates that this product has been tested, and is monitored on an ongoing basis, to assure its chemical compatibility with FlowGuard Gold®, BlazeMaster® and Corzan® pipe and fittings. FBC, FlowGuard Gold®, BlazeMaster® and Corzan® are licensed trademarks of The Lubrizol Corporation.

## Material Properties

Asbestos Fillers	-25 g/L
Volatile Solvents	None
Application	Caulking Gun or Trowel
Application Temperature between	-20°F - 120°F -29°C - 499°C
Color	Gray
Cure Time	21 Days
Working Time	10-405 min. (caulk grade)

### Volume Coverage:

for 10.15 oz. tube	18 cu. in. (300 mL).
for 20.2 oz. foil packs	36 cu. in. (597 ml)
for 5 gallon	1155 cu. in. (18.9 liter)

Specific Gravity	1.33
Elongation at Break (ASTM D412)	600%
Dielectric Strength (ASTM D149)	479 V/mil (19.0 kV/mm)

### ASTM E84, UL 723 Tunnel Test

Flame Spread	3
Smoke Index	22

## Inspection & Repair

RectorSeal recommends firestop system inspection is conducted during installation of the material in accordance with ASTM E2174 and ASTM E2393. In the event post-installation inspection and destructive sampling is necessary, RectorSeal advises repairing the damaged firestop system by replacing any material that was removed or damaged with the same product originally installed, and ensuring the assembly matches the original firestop listing. RectorSeal advises, that due to the chemical nature of firestop products and sealants, material depth should be determined by measuring the points of adhesion at the substrate bond area as sealants may decrease in size during the curing process.

## Storage & Handling

Metacaulk 835+ is not to be stored in areas where the temperatures exceed 90° F (32° C) or drop below 40° F (4° C). Keep products stored under protective cover, in their original containers. Products have a shelf life of 2 years subject to re-inspection thereafter. A stock rotation program is recommended.

## Limitations

Do not use Metacaulk 835+ in computer rooms without first consulting RectorSeal .

## Cautions

**FOR CHEMICAL EMERGENCY, SPILL, LEAK, FIRE, EXPOSURE OR ACCIDENT, CALL CHEMTREC-DAY OR NIGHT 1-800- 424-9300.**

**CONTAINS:** Silicones. **PRECAUTIONS:** Do not take internally. May cause eye, skin, and respiratory tract irritation. Wear gloves and safety glasses. Wash after handling. **FIRST AID:** For any overexposure or if skin irritation develops, get immediate medical attention after first aid is given. **EYES**-Flush for 15 minutes with clean water. **SKIN**-Wash with soap and water. Do not use solvents to remove from skin. **INHALATION**-Remove to fresh air. **INGESTION**-DO NOT INDUCE VOMITING. **SPILLS**-Clean up immediately with scrapers and mineral spirits. **STORAGE AND HANDLING**-Keep container upright and tightly closed. Do not reuse container. **KEEP OUT OF REACH OF CHILDREN.**

For additional information, refer to Safety Data Sheet

## Limited Warranty

RectorSeal, LLC makes the Limited Express Warranty that when the instructions for storage and handling of our products are followed we warrant our products to be free from defects. THIS LIMITED EXPRESS WARRANTY IS EXPRESSLY IN LIEU OF ANY OTHER EXPRESS OR IMPLIED WARRANTIES, INCLUDING ANY IMPLIED WARRANTY OF MERCHANTABILITY OR FITNESS FOR A PARTICULAR PURPOSE, AND OF ANY OTHER OBLIGATION ON THE PART OF RectorSeal, LLC. The sole remedy for breach of the Limited Express Warranty shall be the refund of the purchase price. All other liability is negated and disclaimed, and RectorSeal, LLC shall not be liable for incidental or consequential damages.



Manufactured by **RectorSeal, LLC • 2601 Spenwick Drive, Houston, TX 77055, USA • 800-231-3345 • Fax 800-441-0051 • RectorSeal.com**

A CSW Industrials Company. RectorSeal, the logos and other trademarks are property of RectorSeal, LLC, its affiliates or its licensor's and are protected by copyright, trademark and other intellectual property laws, and may not be used without permission. RectorSeal reserves the right to change specifications without prior notice. ©2018 RectorSeal. All rights reserved. R50101-0919