

FMA4P, FMA4X
APARTMENT FAN COILS
SIZES 18 TO 36
1-1/2 TO 3 NOMINAL TONS



Product Data

APARTMENT FAN COILS

ALL MODELS

- 1-1/2, 2, 2-1/2, and 3 Tons
- Upflow application only
- Accessory field-installed electric heat kits available in 5, 7.5, or 10 kW
- 208/230-1-60 supply voltage
- Cabinet exterior is galvanized sheet metal
- Cabinet air leakage rate below 1.4% when tested to ASHRAE Standard 193
- Insulated for conditioned space (not to be installed in unconditioned spaces)
- All Aluminum coils

FMA4P

- For use with Puron® refrigerant utilizing standard piston

FMA4X

- Puron® refrigerant, TXV standard

PERFORMANCE

- PSC motor on all FMA4P
- ECM motor on all FMA4X
- Motor suspended on rubber grommets for quieter operation

- Fresh air intake knockouts in cabinet

EASY TO INSTALL AND SERVICE

- Units fits between standard stud spacings
- All service access is located in the front
- Primary and secondary drain connections exit from the bottom, access panel in bottom of cabinet
- No return-air ductwork required in specific applications
- Wall hanging brackets included with the unit



A180014



ISO 9001
GM-SM Certified



Use of the AHRI Certified TM Mark indicates a manufacturer's participation in the program. For verification of certification for individual products, go to www.ahridirectory.org.



| Model | Tons | Nominal BTU | CFM (L/s) | | Dimensions H x W x D in. (mm) | Filter Size in. (mm) | Ship Wt. lbs. (kg) |
|-------------|-------|-------------|-----------|------------|---|----------------------|--------------------|
| | | | Min | Max | | | |
| FMA4P1800AL | 1-1/2 | 18,000 | 450 (212) | 675 (319) | 36-1/2 x 20-1/2 x 15 (928 x 521 x 381) | 16 x 20 (406 x 508) | 101 (46) |
| FMA4P2400AL | 2 | 24,000 | 600 (283) | 900 (425) | | | 101 (46) |
| FMA4P3000AL | 2-1/2 | 30,000 | 750 (354) | 1125 (531) | 39-1/2 x 22 x 19 (1004 x 559 x 483) | 20 x 20 (508 x 508) | 123 (56) |
| FMA4P3600AL | 3 | 36,000 | 900 (425) | 1350 (637) | | | 123 (56) |
| FMA4X1800AL | 1-1/2 | 18,000 | 450 (212) | 675 (319) | 36-1/2 x 20-1/2 x 15 (928 x 521 x 381) | 16 x 20 (406 x 508) | 101 (46) |
| FMA4X2400AL | 2 | 24,000 | 600 (283) | 900 (425) | | | 101 (46) |
| FMA4X3000AL | 2-1/2 | 30,000 | 750 (354) | 1125 (531) | 39-1/2 x 22 x 19 (1004 x 559 x 483) | 20 x 20 (508 x 508) | 123 (56) |
| FMA4X3600AL | 3 | 36,000 | 900 (425) | 1350 (637) | | | 123 (56) |

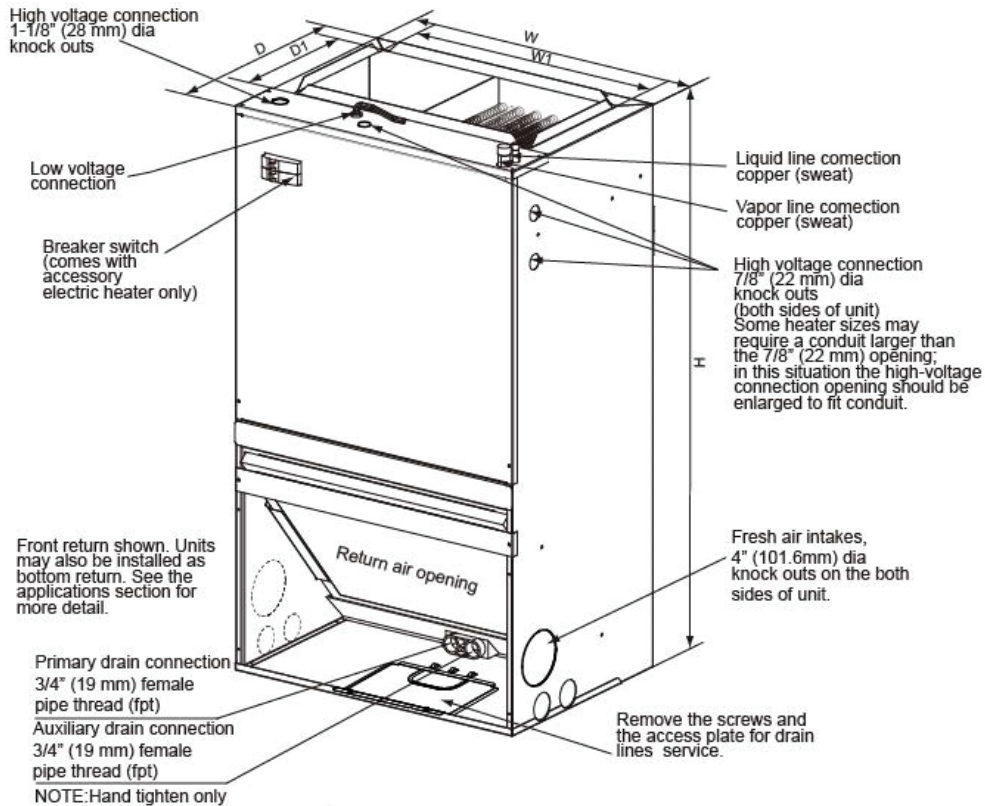
FAN COIL MODEL NUMBER IDENTIFICATION GUIDE

| | | | | | | | | |
|---------------------------------|---|------|---|-------------------------------|---|-----------------------|---|---|
| | F | M | A | 4 | P | 2400 | A | L |
| F = Fan Coil | | TYPE | | INSTALLATION TYPE | | | | |
| M = Multi-Family | | | | | | | | |
| A = Apartment | | | | | | | | |
| 4 = Puron® | | | | REFRIGERANT | | | | |
| P = Piston & PSC Motor | | | | | | | | |
| X = TXV & ECM Motor | | | | METERING DEVICE / BLOWER TYPE | | | | |
| 1800 = 18,000 BTUH = 1-1/2 tons | | | | | | | | |
| 2400 = 24,000 BTUH = 2 tons | | | | | | | | |
| 3000 = 30,000 BTUH = 2-1/2 tons | | | | | | | | |
| 3600 = 36,000 BTUH = 3 tons | | | | | | NOMINAL CAPACITY | | |
| A = Marketing Revision | | | | | | REVISION | | |
| L = Aluminum Coil | | | | | | SALES CODE / FEATURES | | |

ELECTRIC HEATER MODEL NUMBER IDENTIFICATION GUIDE

| | | | | |
|---------------------------|-----|--------------------|----|---|
| | EHK | 2 | 05 | B |
| EHK = Electric Heater Kit | | | | |
| Sales Code | | | | |
| 05 = 5 kW | | | | |
| 08 = 7.5 kW | | | | |
| 10 = 10 kW | | NOMINAL HEAT VALUE | | |
| Engineering Code | | | | |

DIMENSIONS



A170309

| DIMENSIONS | | | | | | |
|----------------------|-------------------|-----------------------------|-----------------------------|-------------------------------|-------------------------------|----------------------------|
| Unit Size | | kbtu | 18 | 24 | 30 | 36 |
| Power supply | | V-Ph-Hz | 208/230V 1Ph 60Hz | 208/230V 1Ph 60Hz | 208/230V 1Ph 60Hz | 208/230V 1Ph 60Hz |
| Indoor unit | Dimension (WxHxD) | mm | 522x928x 381 | 522x928x 381 | 554x1003x482 | 554x1003x482 |
| | | inch | 20-1/2x36-1/2x15 | 20-1/2x36-1/2x15 | 22x39-1/2x19 | 22x39-1/2x19 |
| | Packing (WxHxD) | mm | 580x1060x440 | 580x1060x440 | 615x1140x540 | 615x1140x540 |
| | | inch | 22-4/5x41-3/5x17-1/3 | 22-4/5x41-3/5x17-1/3 | 24-1/5x44-4/5x21-1/4 | 24-1/5x44-4/5x21-1/4 |
| | Net/Gross Weight | Kg | 39/46 (PSC) 36/43 (ECM) | 39/46 (PSC) 36/43 (ECM) | 46/56 (PSC) 44/54 (ECM) | 46/56 (PSC) 44/54 (ECM) |
| lbs | | 86/101 (PSC) 79/95 (ECM) | 86/101 (PSC) 79/95 (ECM) | 101/123 (PSC) 97/119 (ECM) | 101/123 (PSC) 97/119 (ECM) | |
| Duct Connection | Dimension (W1xD1) | mm | 422x242 | 422x242 | 477x242 | 477x242 |
| | | inch | 17-2/5x9-1/2 | 17-2/5x9-1/2 | 18-4/5x9-1/2 | 18-4/5x9-1/2 |
| Drain Pan Connection | Primary/Auxiliary | inch | 3/4 FPT / 3/4 FPT | 3/4 FPT / 3/4 FPT | 3/4 FPT / 3/4 FPT | 3/4 FPT / 3/4 FPT |

| REQUIRED CLEARANCES - ALL MODELS inches (mm) | | | |
|--|------------------|--|---|
| No Heaters | All Sides | | 0 |
| | From Supply Duct | | 0 |
| With Heaters | All Sides | | 0 |
| | From Supply Duct | | 0 |

PHYSICAL DATA

| FMA4P | Unit Size | | | |
|--|-------------------------|-------------------------|-------------------------|-------------------------|
| | 18 | 24 | 30 | 36 |
| Nominal Cooling Capacity (BTUH) | 18,000 | 24,000 | 30,000 | 36,000 |
| COIL | | | | |
| Puron® - Refrigerant metering Device Piston* | .049 | .057 | .065 | .070 |
| Fins Per In. | 17 | 17 | 17 | 17 |
| Face Area Ft ² | 2.149 | 2.149 | 2.955 | 2.955 |
| Coil Configuration | Slope | | | |
| BLOWER & MOTOR | | | | |
| Air Discharge | Upflow | | | |
| Blower Type | Direct Drive | | | |
| CFM (Nominal) | 600 | 800 | 1000 | 1200 |
| Motor Type | PSC | PSC | PSC | PSC |
| Motor HP | 1/6 | 1/4 | 1/3 | 1/2 |
| Rated RPM | 1075 | 1075 | 1075 | 1075 |
| Motor Speeds | 3 | 3 | 3 | 3 |
| FILTER | | | | |
| Field Installed – in (mm) | 16x20x1 (406x508x25) | 16x20x1 (406x508x25) | 20x20x1 (508x508x25) | 20x20x1 (508x508x25) |
| CONNECTIONS (Sweat) | | | | |
| Suction – in. (mm) | 3/4 In. (19 mm) | | | |
| Liquid – in. (mm) | 3/8 In. (9.5 mm) | | | |
| Condensate (FPT) – in. (mm) | 3/4 In. (19 mm) | | | |
| ELECTRICAL DATA | | | | |
| Voltage | 208/230 | 208/230 | 208/230 | 208/230 |
| Hertz | 60 | 60 | 60 | 60 |
| Circuit Amps | 0.8 | 1.0 | 1.28 | 1.8 |
| Minimum Circuit Ampacity | 1 | 1.3 | 1.6 | 2.3 |
| Maximum Circuit Protector | 15 (A) | 15 (A) | 15 (A) | 15 (A) |

* The piston included with the fan coil is unique to this product and **CANNOT** be replaced with the piston shipped with outdoor unit. Refer to the AHRI ratings to check if your combination can use the piston shipped with the unit or requires an accessory TXV.

PERFORMANCE DATA

PSC - AIRFLOW PERFORMANCE (STANDARD CFM)

| MODELS | BLOWER SPEEDS | EXTERNAL STATIC PRESSURE (IN WC.) | | | | | | | | |
|-------------|---------------|-----------------------------------|------|------|------|------|------|------|-----|-----|
| | | 0 | 0.1 | 0.2 | 0.3 | 0.4 | 0.5 | 0.6 | 0.7 | 0.8 |
| FMA4P1800AL | High | 813 | 775 | 731 | 692 | 653 | 609 | 560 | 501 | 424 |
| | Med | 695 | 656 | 620 | 581 | 540 | 498 | 440 | 380 | - |
| | Low | 603 | 562 | 525 | 485 | 443 | 393 | - | - | - |
| FMA4P2400AL | High | 947 | 895 | 847 | 799 | 753 | 704 | 655 | 592 | 530 |
| | Med | 845 | 801 | 759 | 716 | 675 | 626 | 573 | 510 | - |
| | Low | 676 | 640 | 602 | 563 | 523 | 499 | - | - | - |
| FMA4P3000AL | High | 1367 | 1312 | 1252 | 1192 | 1131 | 1063 | 990 | 908 | 821 |
| | Med | 1211 | 1165 | 1114 | 1065 | 1016 | 960 | 899 | 833 | 748 |
| | Low | 992 | 952 | 912 | 873 | 828 | 782 | 728 | 656 | 627 |
| FMA4P3600AL | High | 1397 | 1345 | 1290 | 1263 | 1196 | 1116 | 1051 | 980 | 907 |
| | Med | 1298 | 1252 | 1198 | 1147 | 1094 | 1037 | 976 | 910 | 842 |
| | Low | 1149 | 1105 | 1056 | 1008 | 960 | 909 | 856 | 791 | 726 |

■ – Shaded boxes represent airflow outside the required 300-450 CFM/ton.

NOTES:

1. Airflow data includes electric heat and filter.
2. Airflow data is with no return grill. When using a return grill on 18 & 24 sizes, decrease numbers above by approx. 10 CFM. For 30 & 36 sizes, decrease numbers above by approx. 50 CFM

PHYSICAL DATA

| FMA4X | Unit Size | | | |
|---------------------------------|-------------------------|-------------------------|-------------------------|-------------------------|
| | 18 | 24 | 30 | 36 |
| Nominal Cooling Capacity (BTUH) | 18,000 | 24,000 | 30,000 | 36,000 |
| COIL | | | | |
| Fins Per In. | 17 | 17 | 17 | 17 |
| Face Area Ft ² | 2.149 | 2.149 | 2.955 | 2.955 |
| Coil Configuration | Slope | | | |
| BLOWER & MOTOR | | | | |
| Air Discharge | Upflow | | | |
| Blower Type | Direct Drive | | | |
| CFM (Nominal) | 600 | 800 | 1000 | 1200 |
| Motor Type | ECM | ECM | ECM | ECM |
| Motor HP | 1/3 | 1/3 | 1/2 | 1/2 |
| Rated RPM | 1050 | 1050 | 1050 | 1050 |
| Motor Speeds | 5 | 5 | 5 | 5 |
| FILTER | | | | |
| Field Installed – in (mm) | 16x20x1 (406x508x25) | 16x20x1 (406x508x25) | 20x20x1 (508x508x25) | 20x20x1 (508x508x25) |
| CONNECTIONS (Sweat) | | | | |
| Suction – in. (mm) | 3/4 In. (19 mm) | | | |
| Liquid – in. (mm) | 3/8 In. (9.5 mm) | | | |
| Condensate (FPT) – in. (mm) | 3/4 In. (19 mm) | | | |
| ELECTRICAL DATA | | | | |
| Voltage | 208/230 | 208/230 | 208/230 | 208/230 |
| Hertz | 60 | 60 | 60 | 60 |
| Circuit Amps | 1.9 | 1.9 | 2.7 | 2.7 |
| Minimum Circuit Ampacity | 2.4 | 2.4 | 3.4 | 3.4 |
| Maximum Circuit Protector | 15 | 15 | 15 | 15 |

PERFORMANCE DATA (cont.)

ECM - AIRFLOW PERFORMANCE (STANDARD CFM)

| MODEL SIZE | BLOWER SPEEDS | EXTERNAL STATIC PRESSURE (IN WC.) | | | | | | | | |
|-------------|----------------|-----------------------------------|------|------|------|------|------|------|------|------|
| | | 0 | 0.1 | 0.2 | 0.3 | 0.4 | 0.5 | 0.6 | 0.7 | 0.8 |
| FMA4X1800AL | Tap(5) | 913 | 881 | 848 | 818 | 792 | 763 | 731 | 691 | 650 |
| | Tap(4) | 825 | 787 | 753 | 717 | 682 | 650 | 617 | 580 | 540 |
| | Tap(3) | 737 | 700 | 663 | 630 | 589 | 550 | 511 | 474 | 436 |
| | Tap(2)-Factory | 675 | 632 | 596 | 555 | 521 | 480 | 440 | 399 | 366 |
| | Tap(1) | 590 | 548 | 499 | 455 | 430 | 368 | 338 | 309 | 263 |
| FMA4X2400AL | Tap(5) | 913 | 881 | 848 | 818 | 792 | 763 | 731 | 691 | 650 |
| | Tap(4)-Factory | 825 | 787 | 753 | 717 | 682 | 650 | 617 | 580 | 540 |
| | Tap(3) | 737 | 700 | 663 | 630 | 589 | 550 | 511 | 474 | 436 |
| | Tap(2) | 675 | 632 | 596 | 555 | 521 | 480 | 440 | 399 | 366 |
| | Tap(1) | 590 | 548 | 499 | 455 | 430 | 368 | 338 | 309 | 263 |
| FMA4X3000AL | Tap(5) | 1362 | 1325 | 1266 | 1238 | 1197 | 1159 | 1119 | 1080 | 1040 |
| | Tap(4) | 1282 | 1242 | 1176 | 1151 | 1111 | 1071 | 1028 | 975 | 936 |
| | Tap(3) | 1267 | 1225 | 1143 | 1120 | 1078 | 1036 | 993 | 942 | 897 |
| | Tap(2)-Factory | 1157 | 1111 | 1052 | 1016 | 971 | 929 | 884 | 842 | 802 |
| | Tap(1) | 1077 | 1028 | 965 | 932 | 886 | 850 | 804 | 768 | 732 |
| FMA4X3600AL | Tap(5) | 1362 | 1325 | 1266 | 1238 | 1197 | 1159 | 1119 | 1080 | 1040 |
| | Tap(4)-Factory | 1282 | 1242 | 1176 | 1151 | 1111 | 1071 | 1028 | 975 | 936 |
| | Tap(3) | 1267 | 1225 | 1143 | 1120 | 1078 | 1036 | 993 | 942 | 897 |
| | Tap(2) | 1157 | 1111 | 1052 | 1016 | 971 | 929 | 884 | 842 | 802 |
| | Tap(1) | 1077 | 1028 | 965 | 932 | 886 | 850 | 804 | 768 | 732 |

■ – Shaded boxes represent airflow outside the required 300-450 CFM/ton.

NOTES:

- Airflow based upon dry coil at 230V with no electric heat and factory-approved filter. For FMA4X airflow at 208V is approximately the same as 230V because the multi-tap ECM motor is a constant torque motor. The torque doesn't drop off at the speeds in which the motor operates.
- Airflow is equivalent for front or bottom return configurations.

| Size | CFM | |
|------|-----|------|
| | Min | Max |
| 18 | 450 | 675 |
| 24 | 600 | 900 |
| 30 | 750 | 1125 |
| 36 | 900 | 1350 |

SENSIBLE CAPACITY (SHC) CORRECTION FACTOR

| BYPASS FACTOR | ENTERING AIR DRY - BULB TEMPERATURE (°F) | | | | | | |
|-------------------|--|------|------|------|------|-------------------------|---------|
| | 79 | 78 | 77 | 76 | 75 | Under 75 | |
| | | 81 | 82 | 83 | 84 | 85 | Over 85 |
| | ENTERING AIR DRY - BULB TEMPERATURE (°C) | | | | | | |
| | | 26 | 25 | 25 | 24 | 24 | |
| | | 27 | 28 | 28 | 29 | 29 | Over 85 |
| Correction Factor | | | | | | | |
| 0.10 | .098 | 1.96 | 2.94 | 3.92 | 4.91 | Use formula shown below | |
| 0.20 | 0.87 | 1.74 | 2.62 | 3.49 | 4.36 | | |
| 0.30 | 0.76 | 1.53 | 2.29 | 3.05 | 3.82 | | |

Interpolation is permissible.

$$\text{Correction Factor} = 1.09 \times (1 - \text{BF}) \times (\text{db} - 80)$$

NOTES:

- Contact manufacturer for cooling capacities at conditions other than shown in table.
- Formulas:
 Leaving db = entering db - $\frac{\text{sensible heat cap.}}{1.09 \times \text{CFM}}$
 Leaving wb = wb corresponding to enthalpy of air leaving coil (h_{lwb})
 $h_{lwb} = h_{ewb} - \frac{\text{total capacity (Btuh)}}{4.5 \times \text{CFM}}$
 where h_{ewb} = enthalpy of air entering coil. Direct interpolation is permissible. Do not extrapolate.
- SHC is based on 80°F (27°C) db temperature of air entering coil. Below 80°F (27°C) db, subtract (Correction Factor x CFM) from SHC. Above 80°F (27°C) db, add (Correction Factor x CFM) to SHC.
- Bypass Factor = 0 indicates no psychometric solution. Use bypass factor of next lower EWB for approximation.

PERFORMANCE DATA (cont.)

GROSS COOLING CAPACITIES (MBH)

| INDOOR COIL AIR | | SATURATED TEMPERATURE LEAVING EVAPORATOR (deg F) | | | | | | | | | | | | | | |
|------------------------|-----|--|-------|------|-------|-------|------|-------|-------|------|-------|-------|------|-------|-------|------|
| | | 35 | | | 40 | | | 45 | | | 50 | | | 55 | | |
| CFM | EWB | TC | SHC | BF | TC | SHC | BF | TC | SHC | BF | TC | SHC | BF | TC | SHC | BF |
| FMA4(X,P)1800AL | | | | | | | | | | | | | | | | |
| 525 | 72 | 29.75 | 13.91 | 0.00 | 27.17 | 12.76 | 0.01 | 24.23 | 11.51 | 0.02 | 20.89 | 10.17 | 0.02 | 17.13 | 8.77 | 0.02 |
| | 67 | 24.71 | 14.48 | 0.03 | 22.05 | 13.24 | 0.03 | 19.02 | 11.91 | 0.03 | 15.59 | 10.50 | 0.03 | 11.73 | 9.03 | 0.03 |
| | 62 | 20.11 | 14.95 | 0.03 | 17.35 | 13.63 | 0.03 | 14.34 | 12.28 | 0.03 | 11.68 | 11.68 | 0.06 | 9.91 | 9.91 | 0.20 |
| 600 | 72 | 32.47 | 15.15 | 0.00 | 29.68 | 13.92 | 0.02 | 26.50 | 12.59 | 0.02 | 22.86 | 11.15 | 0.03 | 18.75 | 9.64 | 0.03 |
| | 67 | 27.04 | 15.91 | 0.03 | 24.15 | 14.58 | 0.03 | 20.85 | 13.15 | 0.03 | 17.10 | 11.62 | 0.03 | 12.87 | 10.02 | 0.03 |
| | 62 | 22.04 | 16.54 | 0.03 | 19.03 | 15.12 | 0.03 | 15.77 | 13.66 | 0.03 | 12.99 | 12.99 | 0.08 | 11.02 | 11.02 | 0.22 |
| 675 | 72 | 34.94 | 16.29 | 0.01 | 31.98 | 15.00 | 0.02 | 28.57 | 13.60 | 0.03 | 24.67 | 12.08 | 0.03 | 20.26 | 10.47 | 0.03 |
| | 67 | 29.15 | 17.24 | 0.04 | 26.08 | 15.85 | 0.04 | 22.53 | 14.33 | 0.04 | 18.50 | 12.70 | 0.04 | 13.93 | 10.98 | 0.04 |
| | 62 | 23.81 | 18.05 | 0.04 | 20.61 | 16.55 | 0.04 | 17.10 | 14.99 | 0.04 | 14.24 | 14.24 | 0.10 | 12.08 | 12.08 | 0.23 |
| FMA4(X,P)2400AL | | | | | | | | | | | | | | | | |
| 700 | 72 | 37.53 | 18.55 | 0.01 | 34.36 | 17.10 | 0.03 | 30.70 | 15.51 | 0.03 | 26.52 | 13.79 | 0.04 | 21.79 | 11.96 | 0.04 |
| | 67 | 31.33 | 19.68 | 0.04 | 28.04 | 18.11 | 0.04 | 24.24 | 16.39 | 0.04 | 19.90 | 14.54 | 0.04 | 15.00 | 12.59 | 0.04 |
| | 62 | 25.60 | 20.65 | 0.04 | 22.17 | 18.96 | 0.04 | 18.42 | 17.19 | 0.04 | 15.39 | 15.39 | 0.10 | 13.05 | 13.05 | 0.24 |
| 800 | 72 | 40.55 | 20.05 | 0.03 | 37.16 | 18.53 | 0.03 | 33.24 | 16.86 | 0.04 | 28.73 | 15.04 | 0.04 | 23.67 | 13.10 | 0.04 |
| | 67 | 33.93 | 21.49 | 0.05 | 30.40 | 19.83 | 0.05 | 26.32 | 18.01 | 0.05 | 21.65 | 16.05 | 0.05 | 16.35 | 13.94 | 0.05 |
| | 62 | 27.80 | 22.74 | 0.05 | 24.14 | 20.96 | 0.05 | 20.14 | 19.08 | 0.05 | 17.05 | 17.05 | 0.12 | 14.46 | 14.46 | 0.26 |
| 900 | 72 | 43.24 | 21.41 | 0.04 | 39.65 | 19.84 | 0.04 | 35.50 | 18.10 | 0.05 | 30.72 | 16.19 | 0.05 | 25.36 | 14.17 | 0.05 |
| | 67 | 36.24 | 23.16 | 0.05 | 32.51 | 21.44 | 0.05 | 28.19 | 19.54 | 0.05 | 23.22 | 17.48 | 0.05 | 17.59 | 15.25 | 0.05 |
| | 62 | 29.76 | 24.71 | 0.05 | 25.92 | 22.86 | 0.05 | 21.74 | 20.87 | 0.06 | 18.61 | 18.61 | 0.15 | 15.79 | 15.79 | 0.27 |
| FMA4(X,P)3000AL | | | | | | | | | | | | | | | | |
| 875 | 72 | 47.47 | 21.63 | 0.00 | 43.42 | 19.90 | 0.02 | 38.78 | 18.01 | 0.03 | 33.46 | 15.96 | 0.03 | 27.43 | 13.79 | 0.03 |
| | 67 | 39.55 | 22.86 | 0.03 | 35.35 | 20.99 | 0.03 | 30.52 | 18.95 | 0.04 | 25.01 | 16.76 | 0.04 | 18.78 | 14.44 | 0.04 |
| | 62 | 32.25 | 23.91 | 0.04 | 27.87 | 21.89 | 0.04 | 23.08 | 19.80 | 0.04 | 19.10 | 19.10 | 0.09 | 16.16 | 16.16 | 0.23 |
| 1000 | 72 | 51.44 | 23.44 | 0.02 | 47.10 | 21.62 | 0.03 | 42.11 | 19.63 | 0.03 | 36.37 | 17.46 | 0.04 | 29.88 | 15.15 | 0.04 |
| | 67 | 42.96 | 25.02 | 0.04 | 38.45 | 23.04 | 0.04 | 33.25 | 20.88 | 0.04 | 27.29 | 18.53 | 0.04 | 20.53 | 16.04 | 0.04 |
| | 62 | 35.12 | 26.39 | 0.04 | 30.43 | 24.25 | 0.04 | 25.29 | 22.01 | 0.04 | 21.21 | 21.21 | 0.11 | 17.95 | 17.95 | 0.25 |
| 1125 | 72 | 54.98 | 25.09 | 0.03 | 50.40 | 23.21 | 0.04 | 45.09 | 21.12 | 0.04 | 38.98 | 18.84 | 0.04 | 32.11 | 16.42 | 0.04 |
| | 67 | 46.01 | 27.02 | 0.05 | 41.24 | 24.96 | 0.05 | 35.71 | 22.69 | 0.05 | 29.36 | 20.23 | 0.05 | 22.15 | 17.58 | 0.05 |
| | 62 | 37.70 | 28.72 | 0.05 | 32.76 | 26.51 | 0.05 | 27.36 | 24.14 | 0.05 | 23.22 | 23.22 | 0.13 | 19.66 | 19.66 | 0.27 |
| FMA4(X,P)3600AL | | | | | | | | | | | | | | | | |
| 1050 | 72 | 54.59 | 26.69 | 0.02 | 50.01 | 24.65 | 0.03 | 44.72 | 22.40 | 0.04 | 38.64 | 19.95 | 0.04 | 31.78 | 17.34 | 0.04 |
| | 67 | 45.63 | 28.59 | 0.04 | 40.86 | 26.37 | 0.04 | 35.36 | 23.92 | 0.04 | 29.04 | 21.27 | 0.04 | 21.87 | 18.44 | 0.05 |
| | 62 | 37.33 | 30.25 | 0.05 | 32.38 | 27.85 | 0.04 | 26.97 | 25.31 | 0.05 | 22.73 | 22.73 | 0.12 | 19.24 | 19.24 | 0.26 |
| 1200 | 72 | 58.74 | 28.79 | 0.03 | 53.86 | 26.67 | 0.04 | 48.22 | 24.31 | 0.05 | 41.71 | 21.72 | 0.05 | 34.40 | 18.98 | 0.05 |
| | 67 | 49.21 | 31.17 | 0.05 | 44.13 | 28.84 | 0.05 | 38.25 | 26.27 | 0.05 | 31.48 | 23.46 | 0.05 | 23.80 | 20.44 | 0.05 |
| | 62 | 40.37 | 33.27 | 0.05 | 35.14 | 30.77 | 0.05 | 29.44 | 28.08 | 0.06 | 25.15 | 25.15 | 0.14 | 21.30 | 21.30 | 0.27 |
| 1350 | 72 | 62.40 | 30.69 | 0.04 | 57.27 | 28.51 | 0.05 | 51.32 | 26.07 | 0.05 | 44.43 | 23.37 | 0.06 | 36.70 | 20.51 | 0.06 |
| | 67 | 52.38 | 33.56 | 0.06 | 47.03 | 31.15 | 0.06 | 40.83 | 28.47 | 0.06 | 33.69 | 25.54 | 0.06 | 25.56 | 22.36 | 0.06 |
| | 62 | 43.07 | 36.12 | 0.06 | 37.62 | 33.54 | 0.06 | 31.73 | 30.70 | 0.07 | 27.42 | 27.42 | 0.17 | 23.25 | 23.25 | 0.29 |

PERFORMANCE DATA (cont.)

ESTIMATED SOUND POWER LEVEL (dBA)

| FMA ESTIMATED SOUND PRESSURE LEVEL | | | | | | | | | |
|------------------------------------|------------|---------------------|------------------------------|------|------|------|------|------|------|
| Unit Size | | kbtu | 18 | 24 | 30 | 36 | | | |
| Indoor sound pressure level | | dBA High | 50 | 54 | 54 | 54 | | | |
| UNIT SIZE | CONDITIONS | | OCTAVE BAND CENTER FREQUENCY | | | | | | |
| | CFM | Ext Static Pressure | 63 | 125 | 250 | 500 | 1000 | 2000 | 4000 |
| 18 | 600 | 0.25 | 46 | 52.1 | 48.9 | 51.8 | 52.5 | 51.7 | 49.7 |
| 24 | 800 | 0.25 | 54.1 | 57.1 | 58.6 | 59 | 61.5 | 59.8 | 57 |
| 30 | 1000 | 0.25 | 51.6 | 52.6 | 52.6 | 53.3 | 56.1 | 52.8 | 59.7 |
| 36 | 1200 | 0.25 | 52.6 | 52.3 | 54.6 | 54.3 | 57.2 | 53.8 | 50.4 |

* Estimated sound power levels have been derived using the method described in the 1987 ASHRAE HVAC Systems & Applications Handbook, Chapter 52, p. 52.7.

ELECTRICAL DATA FOR FAN COIL WITH ELECTRIC HEAT COMBINED ELECTRICAL DATA

| Nominal Fan Coil Capacity | Nominal Heat Capacity @ 240V | Minimum Circuit Ampacity (MCA) | | MAX.Fuse or Breaker Heat Kit (HACR) Ampacity | |
|---------------------------|------------------------------|--------------------------------|------|--|-----|
| | | 208 | 240 | 208 | 240 |
| 18, PSC | 5 | 23.6 | 27.1 | 30 | 30 |
| | 7.5 | 34.9 | 40.1 | 45 | 45 |
| | 10 | 46.2 | 53.1 | 60 | 60 |
| 24, PSC | 5 | 23.9 | 27.3 | 30 | 30 |
| | 7.5 | 35.2 | 40.4 | 45 | 45 |
| | 10 | 46.4 | 53.4 | 60 | 60 |
| 30, PSC | 5 | 24.2 | 27.7 | 30 | 30 |
| | 7.5 | 35.5 | 40.7 | 45 | 45 |
| | 10 | 46.8 | 53.7 | 60 | 60 |
| 36, PSC | 5 | 24.9 | 28.3 | 30 | 30 |
| | 7.5 | 36.2 | 41.4 | 45 | 45 |
| | 10 | 47.4 | 54.4 | 60 | 60 |
| 18, ECM | 5 | 25.0 | 28.5 | 30 | 30 |
| | 7.5 | 36.3 | 41.5 | 45 | 45 |
| | 10 | 47.6 | 54.5 | 60 | 60 |
| 24, ECM | 5 | 25.0 | 28.5 | 30 | 30 |
| | 7.5 | 36.3 | 41.5 | 45 | 45 |
| | 10 | 47.6 | 54.5 | 60 | 60 |
| 30, ECM | 5 | 26.0 | 29.5 | 30 | 30 |
| | 7.5 | 37.3 | 42.5 | 45 | 45 |
| | 10 | 48.6 | 55.5 | 60 | 60 |
| 36, ECM | 5 | 26.0 | 29.5 | 30 | 30 |
| | 7.5 | 37.3 | 42.5 | 45 | 45 |
| | 10 | 48.6 | 55.5 | 60 | 60 |

PERFORMANCE DATA (cont.)

ELECTRICAL DATA FOR FMA4P PSC MOTOR UNITS WITH ELECTRIC HEAT INSTALLED

| Heat Kit Model | Used on Size | Nominal Heat Capacity @ 240V KW | Shipping Weight lbs. (kg) | Heater Capacity (MBH) | | Minimum Circuit Ampacity (MCA) | | MAX. Fuse or Breaker Heat-Kit Ampacity (HACR) | | Min Wire Size (AWG) †† | | Min Ground Wire Size | | Max Wire Length (Ft) ‡‡ | |
|----------------|--------------|------------------------------------|------------------------------|-----------------------|------|--------------------------------|------|---|-----|------------------------|-----|----------------------|-----|-------------------------|-----|
| | | | | 208 | 240 | 208 | 240 | 208 | 240 | 208 | 240 | 208 | 240 | 208 | 240 |
| EHK205B | 18 | 5 | 5.1 (2.3) | 12.3 | 16.4 | 23.6 | 27.1 | 30 | 30 | 10 | 10 | 10 | 10 | 73 | 74 |
| EHK208B | | 7.5 | | 22.2 | 25.6 | 34.9 | 40.1 | 50 | 50 | 8 | 8 | 10 | 10 | 76 | 77 |
| EHK210B | | 10 | | 24.6 | 32.8 | 46.2 | 53.1 | 60 | 60 | 6 | 6 | 10 | 10 | 92 | 92 |
| EHK205B | 24 | 5 | 5.1 (2.3) | 12.3 | 16.4 | 23.9 | 27.3 | 30 | 30 | 10 | 10 | 10 | 10 | 73 | 73 |
| EHK208B | | 7.5 | | 22.2 | 25.6 | 35.2 | 40.4 | 50 | 50 | 8 | 8 | 10 | 10 | 76 | 76 |
| EHK210B | | 10 | | 24.6 | 32.8 | 46.4 | 53.4 | 60 | 60 | 6 | 6 | 10 | 10 | 91 | 92 |
| EHK205B | 30 | 5 | 5.1 (2.3) | 12.3 | 16.4 | 24.2 | 27.7 | 30 | 30 | 10 | 10 | 10 | 10 | 72 | 72 |
| EHK208B | | 7.5 | | 22.2 | 25.6 | 35.5 | 40.7 | 50 | 50 | 8 | 8 | 10 | 10 | 75 | 76 |
| EHK210B | | 10 | | 24.6 | 32.8 | 46.8 | 53.7 | 60 | 60 | 6 | 6 | 10 | 10 | 91 | 91 |
| EHK205B | 36 | 5 | 5.1 (2.3) | 12.3 | 16.4 | 24.9 | 28.3 | 30 | 30 | 10 | 10 | 10 | 10 | 70 | 71 |
| EHK208B | | 7.5 | | 22.2 | 25.6 | 36.2 | 41.4 | 50 | 50 | 8 | 8 | 10 | 10 | 74 | 74 |
| EHK210B | | 10 | | 24.6 | 32.8 | 47.4 | 54.4 | 60 | 60 | 6 | 6 | 10 | 10 | 90 | 90 |

* †† Copper wire must be used. If other than uncoated (non-plated), 75°C ambient, copper wire (solid wire for 10 AWG and smaller, stranded wire for larger than 10 AWG) is used, consult applicable tables of the National electric Code (ANSI/NGPA 70).

* ‡‡ Length shown is as measured 1 way along wire path between unit and service panel for a voltage drop not to exceed 2%.

ELECTRICAL DATA FOR FMA4X ECM MOTOR UNITS WITH ELECTRIC HEAT INSTALLED

| Heat Kit Model | Used on Size | Nominal Heat Capacity @ 240V KW | Shipping Weight lbs. (kg) | Heater Capacity (MBH) | | Minimum Circuit Ampacity (MCA) | | MAX. Fuse or Breaker Heat-Kit Ampacity (HACR) | | Min Wire Size (AWG) †† | | Min Ground Wire Size | | Max Wire Length (Ft) ‡‡ | |
|----------------|--------------|------------------------------------|------------------------------|-----------------------|------|--------------------------------|------|---|-----|------------------------|-----|----------------------|-----|-------------------------|-----|
| | | | | 208 | 240 | 208 | 240 | 208 | 240 | 208 | 240 | 208 | 240 | 208 | 240 |
| EHK205B | 18 | 5 | 5.1 (2.3) | 12.3 | 16.4 | 25 | 28.5 | 30 | 30 | 10 | 10 | 10 | 10 | 69 | 70 |
| EHK208B | | 7.5 | | 22.2 | 25.6 | 36.3 | 41.5 | 50 | 50 | 8 | 8 | 10 | 10 | 73 | 74 |
| EHK210B | | 10 | | 24.6 | 32.8 | 47.6 | 54.5 | 60 | 60 | 6 | 6 | 10 | 10 | 89 | 90 |
| EHK205B | 24 | 5 | 5.1 (2.3) | 12.3 | 16.4 | 25 | 28.5 | 30 | 30 | 10 | 10 | 10 | 10 | 69 | 70 |
| EHK208B | | 7.5 | | 22.2 | 25.6 | 36.3 | 41.5 | 50 | 50 | 8 | 8 | 10 | 10 | 73 | 74 |
| EHK210B | | 10 | | 24.6 | 32.8 | 47.6 | 54.5 | 60 | 60 | 6 | 6 | 10 | 10 | 89 | 90 |
| EHK205B | 30 | 5 | 5.1 (2.3) | 12.3 | 16.4 | 26 | 29.5 | 30 | 30 | 10 | 10 | 10 | 10 | 67 | 68 |
| EHK208B | | 7.5 | | 22.2 | 25.6 | 37.3 | 42.5 | 50 | 50 | 8 | 8 | 10 | 10 | 71 | 72 |
| EHK210B | | 10 | | 24.6 | 32.8 | 48.6 | 55.5 | 60 | 60 | 6 | 6 | 10 | 10 | 87 | 88 |
| EHK205B | 36 | 5 | 5.1 (2.3) | 12.3 | 16.4 | 26 | 29.5 | 30 | 30 | 10 | 10 | 10 | 10 | 67 | 68 |
| EHK208B | | 7.5 | | 22.2 | 25.6 | 37.3 | 42.5 | 50 | 50 | 8 | 8 | 10 | 10 | 71 | 72 |
| EHK210B | | 10 | | 24.6 | 32.8 | 48.6 | 55.5 | 60 | 60 | 6 | 6 | 10 | 10 | 87 | 88 |

* †† Copper wire must be used. If other than uncoated (non-plated), 75°C ambient, copper wire (solid wire for 10 AWG and smaller, stranded wire for larger than 10 AWG) is used, consult applicable tables of the National electric Code (ANSI/NGPA 70).

* ‡‡ Length shown is as measured 1 way along wire path between unit and service panel for a voltage drop not to exceed 2%.

OTHER ACCESSORIES

| Kit Number | Description | Used on sizes |
|--------------|---|----------------|
| KFBLG0106LGL | Louvered Wall Panel with Frame (6 pack) | 18, 24 |
| KFBLG0206LGL | Louvered Wall Panel with Frame (6 pack) | 30, 36 |
| KSATX0601HSO | TXV Kit R-22 | 18, 24, 30, 36 |
| KSATX0201PUR | TXV Kit Puron® | 18, 24, 30 |
| KSATX0301PUR | TXV Kit Puron® | 36 |
| KFARA0110LGL | Return Air Opening Grille (10 pack) | 18, 24 |
| KFARA0210LGL | Return Air Opening Grille (10 pack) | 30, 36 |
| KFAET0150ETK | PVC Condensate Trap Kit (50 pack) | ALL |