

# Wired Remote Controller 7 Day Programmable

Model: KSACN0601AAA

## Submittal Data

Job Data: \_\_\_\_\_ Location: \_\_\_\_\_

Buyer: \_\_\_\_\_ Buyer P.O. #: \_\_\_\_\_ Carrier #: \_\_\_\_\_

Unit Number: \_\_\_\_\_ Model Number: \_\_\_\_\_

Performance Data Certified By: \_\_\_\_\_ Date: \_\_\_\_\_



### Features

- LCD Display
- °F/°C Convertible
- Backlight display
- Follow Me default, temperature sensing on the controller
- 4-wire quick connect
- Room temperature display
- Troubleshooting error code display
- Infrared IR receiver built-in
- Clock
- 12 HR format (am/pm)

### Functions

- Weekly Schedule 7 day programmable
- Mode: Auto-Cool-Dry-Heat-Fan
- Operation Mode Locking
  - CH Heat Pump
  - CC Cooling Only
  - HH Heating Only
  - NA No Auto Mode
- Fan Speed: Auto/Low/Med/High speed
- Set temperature range limit
- Airflow direction Horizontal and Vertical (on some models)
- Temperature Setting
- Child Lock

### Parts included

- Wired Remote Controller
- Installation and owner's manual
- Screws M4X20
- Wall Plugs
- Plastic Screw Bars
- Battery
- Connection Cable 19 ft (6m)
- \*Adapter Board (**ONLY** necessary for High Walls 40MAQ/619P\*B/DHMPHA)
- \*Display Board (**ONLY** necessary for High Walls 40MAQ/619P\*B/DHMPHA)

### Accessories, Sold Separately

- Additional extension cable 19 ft (6m) available through Replacement Components. **Part Number: 17401204000769**

### Compatibility

High Walls and Console size 12. Refer to the compatibility charts for specific model numbers.

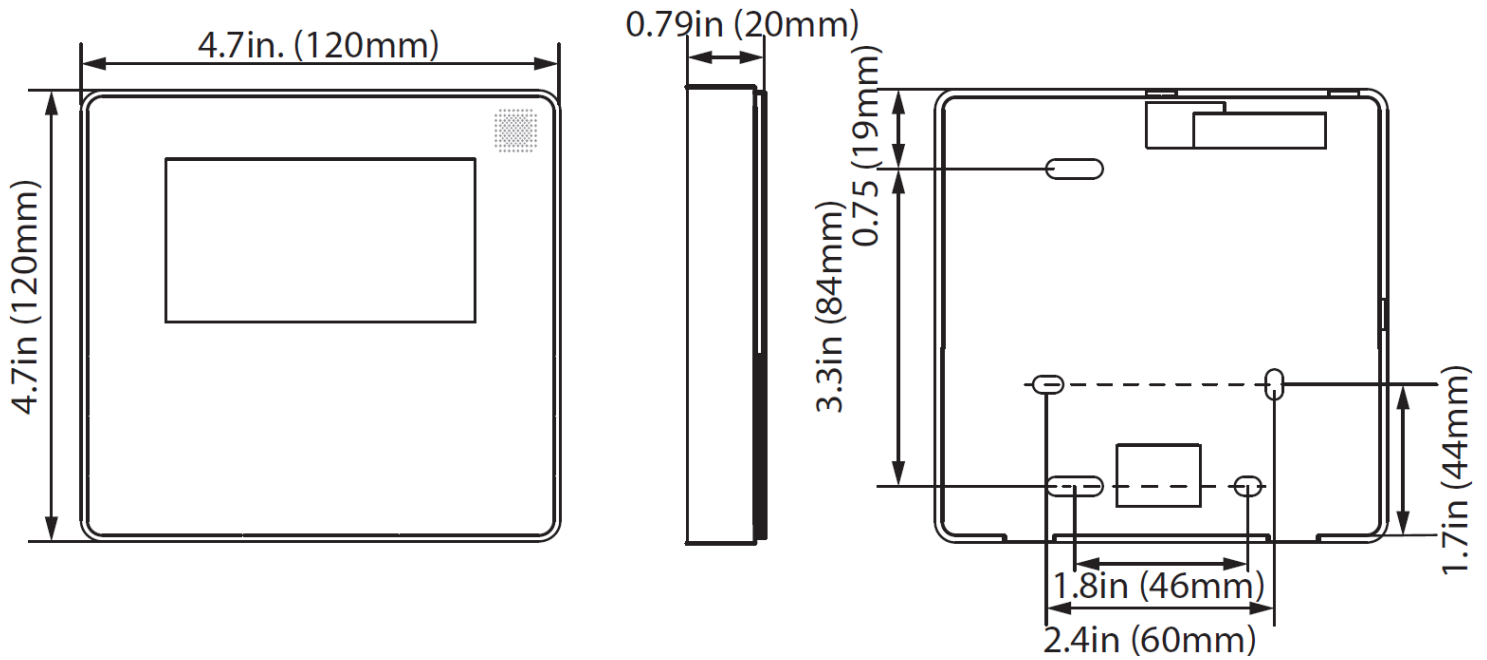
## Specifications

Input Voltage	DC 5V
Ambient Temperature	23 ~ 110°F (-5 - 43°C)
Ambient Humidity	40%RH ~ 90%RH

## Wiring Specification

Wiring Type	Size	Maximum Length
Sheathed vinyl cord or cable	16 – 18AWG (0.75 – 1.25mm <sup>2</sup> )	66ft (20m)

## Construction View



## Wiring

