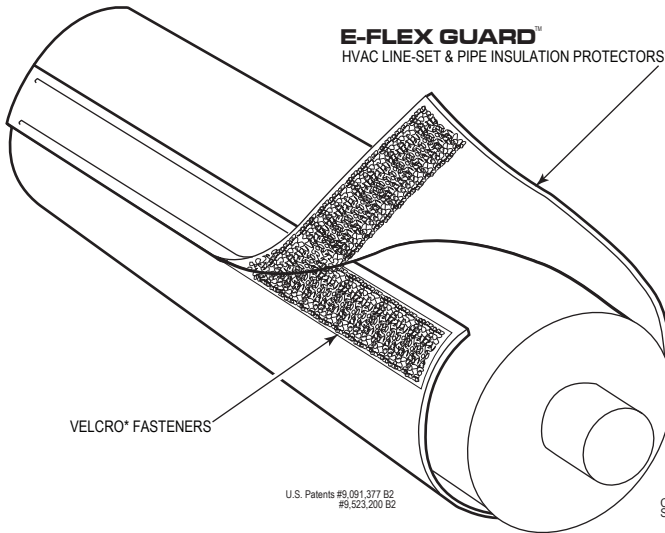




Project _____
 Contractor _____
 Date _____
 Specification Reference _____
 Comments _____



E-FLEX GUARD MODEL NUMBERS

Airex Part Number	Recommended Sizing Chart
72E-B (6 ft)	Fits: 1/2" wall thickness pipe insulation with 5/8", 3/4", 7/8" tube.
72C-B (6 ft)	Fits: 3/4" wall thickness pipe insulation with 5/8", 3/4", 7/8" tube or 1/2" wall thickness pipe insulation with 1-1/8" tube.
72X-B (6 ft)	Fits: 1" wall thickness pipe insulation with 3/4", 7/8" tube or 3/4" wall thickness pipe insulation with 1-1/8" tube.

TITAN OUTLET™ Color Options	Gray - G	White - W	E-FLEX GUARD™ Color Options	Black - B	White - W
When ordering, substitute Gray (G) for White (W)			Substitute Black (B) for White (W)		

Product Description and Specification

AIREX E-FLEX GUARD™ - An insulation protective cover by Airex Manufacturing Inc., shall be provided and installed to be flexible, U/V and weather resistant. The PVC plastic pipe insulation cover shall feature an integrated, outdoor-rated durability, industrial-grade, full-enclosure fastening system that is double secured by molecular bonding, allowing custom, cut-to-length installations. The cut-to-length installations shall comprise of a non-unraveling PVC cover material that does not compromise long-term-effectiveness or require specialized tools and cutting equipment. The engineered fastening system is to allow the cover to be removable and reusable for maintenance without the use of adhesives as an attachment in any way shape or form, including either in the protector's construction, installation, or attachment to pipe insulation, as this will negatively affect insulation permeance performance and promote insulation material degradation which causes added energy usage by equipment. WRAPPING TAPE OR ADHESIVE TAPE SHALL NOT BE PERMITTED AS PER ENERGY CODES. Insulation Protector shall be tested and meet the following testing: ASTM E 96 (Vapor Transmission of Materials), ASTM G 153 (Carbon Arc Light Exposure – Accelerated Weathering), ASTM D 412 (Tensile Strength after UV Exposure and Water Immersion) ASTM 570 (Water Absorption of Plastics), ASTM E 84/UL 723 (Surface Burning Characteristics of Building Materials), ASTM G 21 (Fungal Growth). UV/Protector Pipe Insulation Material shall Meet Class II vapor retarder per ASTM E 96 (vapor/moisture permeability test) "1 perm or less". THE USE OF U/V PAINT OR NON-PERMEABLE MATERIALS OR ADHESIVES ARE NOT PERMITTED FOR THIS APPLICATION. **AIREX E-FLEX GUARD™** combines U/V weather and physical protection with a Class II rated vapor retarder permeability performance material, as required per energy codes.

Approved PVC Material Performance Testing

Material Testing Standards
<ul style="list-style-type: none"> • ASTM G153 – Weatherization and UV Exposure • ASTM E96 – Water/Vapor Permeability • ASTM G21 – Anti-Fungal/Anti-Microbial • ASTM D412 - Tension Deformation Test (UV Exposure & Water Immersion) • ASTM D570 – Water Absorption • ASTM E84/UL 723 - Flame and Smoke Rating 25/450

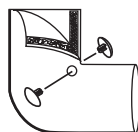


750 Series
75 Foot Rolls

Airex Part Number Recommended Sizing Chart

750E-B (75 ft)	Fits: 1/2" wall thickness pipe insulation with 5/8", 3/4", 7/8" tube.
750C-B (75 ft)	Fits: 3/4" wall thickness pipe insulation with 5/8", 3/4", 7/8" tube or 1/2" wall thickness pipe insulation with 1-1/8" tube.
750X-B (75 ft)	Fits: 1" wall thickness pipe insulation with 3/4", 7/8" tube or 3/4" wall thickness pipe insulation with 1-1/8" tube.

90 Series
90° PVC Insulation Protectors



Airex Part Number Recommended Sizing Chart

90E-B	90° Angle fits E Series
90C-B	90° Angle fits C Series
90X-B	90° Angle fits X Series



U.S. Patents #9,091,377 B2, #9,523,200 B2

