

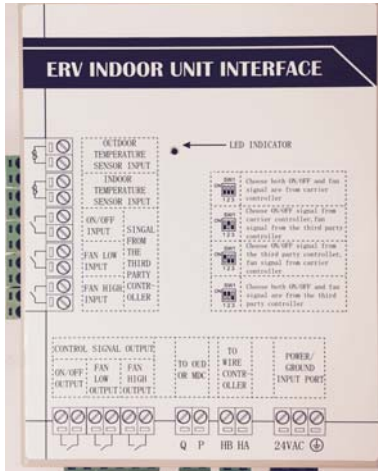
VRF Controls and Accessories

40VM900007 - ERV (DI/DO) Control



Submittal Data

Job Data _____ Location _____
 Buyer _____ Buyer PO # _____ Carrier # _____
 Unit Number _____ Model Number _____
 Performance Data Certified By _____ Date _____

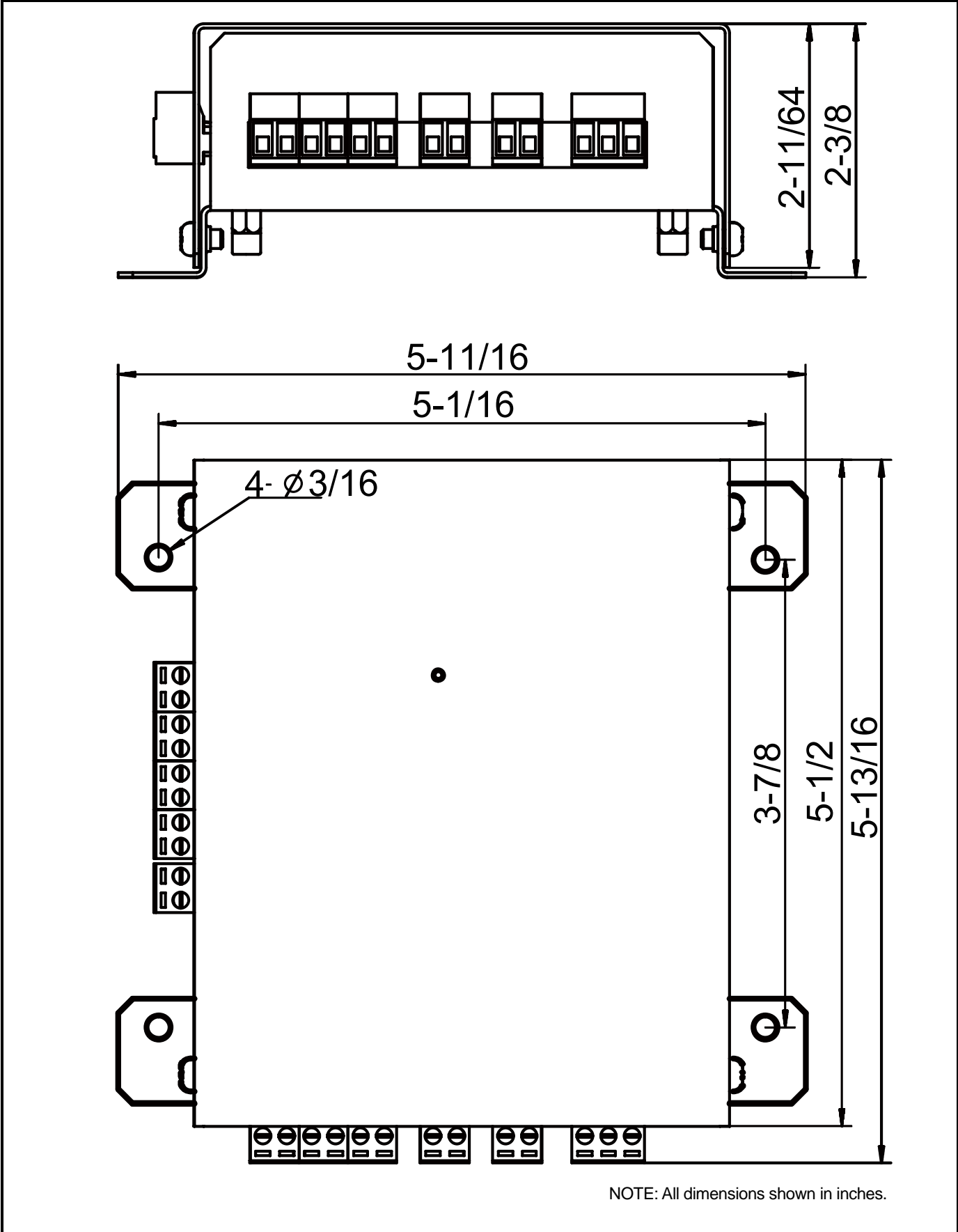


Energy Recovery Ventilation (ERV) Control Interface

- Fan speed control (High/Low)
- ON/OFF
- Schedule setting
- Inputs - IDU and ODU and temperature sensor

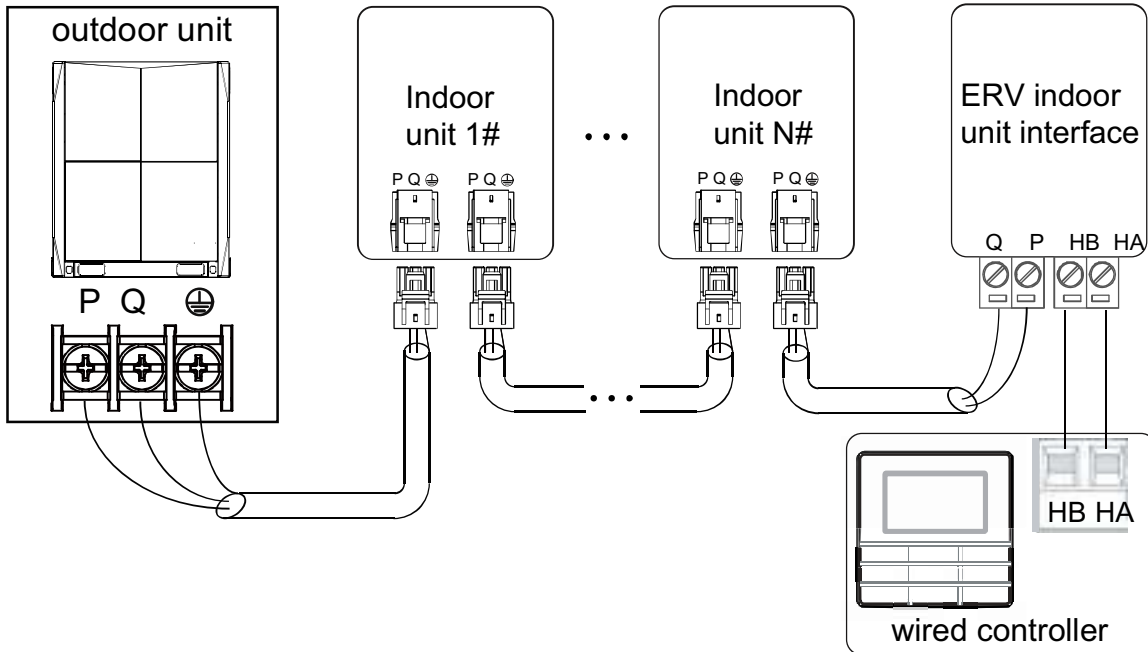
Part Name	Energy Recovery Ventilation (ERV) Control Interface	
Part Number		40VM900007
Power Supply	V/Ph/Hz	24V AC
Operating Temperature Range	°F	32 to 104
Operating Humidity Range		10 to 90% (Non-condensing)
Dimensions	H (in)	2-3/8
	W (in)	5-11/16
	D (in)	5-13/16
Net Weight	lbs	2.0

DIMENSIONAL DRAWING
ENERGY RECOVERY VENTILATION (ERV) CONTROL INTERFACE –
40VM900007



WIRING DIAGRAM ENERGY RECOVERY VENTILATION (ERV) CONTROL INTERFACE – 40VM90007

Communication Wiring for Heat Pump System



Communication Wiring for Heat Recovery System

