

VRF Controls and Accessories

40VM900052 - BACnet Interface



Submittal Data

Job Name _____ Location _____
 Tag _____



40VM900052 - BACnet Interface Features

The BACnet Interface integrates VRF system(s) to BACnet IP. Four XY communication bus lines are provided. Each line can support up to 64 indoor units and 8 refrigerant systems. Web interface is provided for control and monitoring by Internet browser.

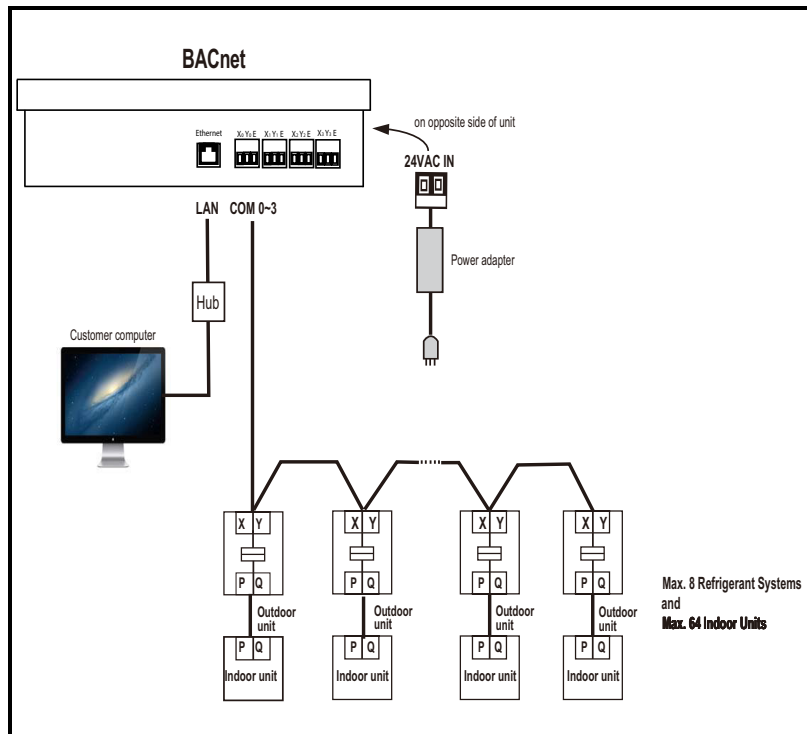
CONTROL

- ON/OFF
- Operation Mode
- Set Temperature
- Fan Speed
- Swing
- Remote Control Lock

MONITOR

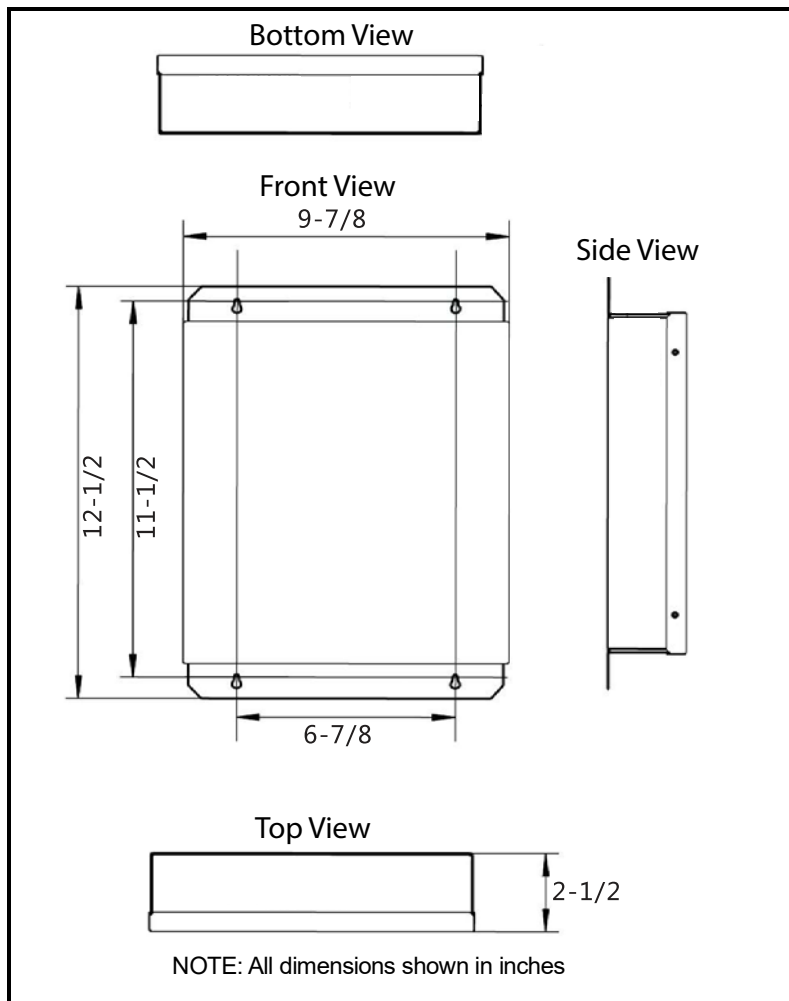
- ON/OFF
- Operation Mode
- Fan Speed
- Swing
- Set Temperature
- Room Temperature
- Permit/Prohibit Local Operation
- Error Code
- Error Status
- Outdoor Temperature

WIRING DIAGRAM 40VM900052 BACnet Interface



DIMENSIONAL DRAWING

40VM900052 BACnet Interface



Part Name	BACnet Interface
Model Number	40VM900052
Power Supply	24VAC (Field Supplied)
Power Consumption	20W
Operating Temperature	32°F to 104°F (0°C to 40°C) 10% to 80% RH (No Condensation)
Dimensions	9-7/8"(W) x 2-1/2"(H) x 12-1/2"(D)
Weight	5.6 lbs
Maximum Refrigerant Systems / IDUs Per Line	8/64