

High Wall type

MMK-AP0073H2UL

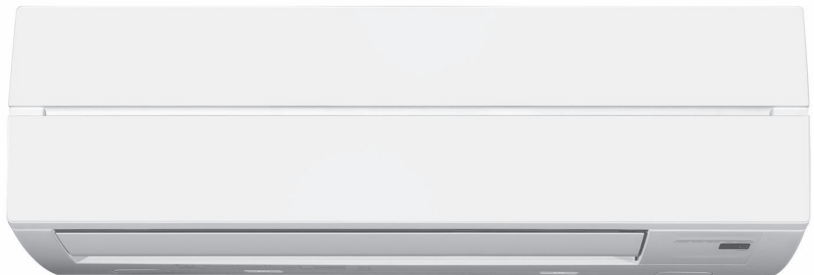
MMK-AP0093H2UL

MMK-AP0123H2UL

MMK-AP0153H2UL

MMK-AP0183H2UL

MMK-AP0243H2UL



Contents

1. Specifications
2. Dimensions
3. Center of gravity
4. Piping diagram
5. Wiring diagram
6. Electrical current characteristics
7. Sensible capacity table
8. Fan characteristics
9. Sound data
10. Accessories

1. Specifications



High Wall type

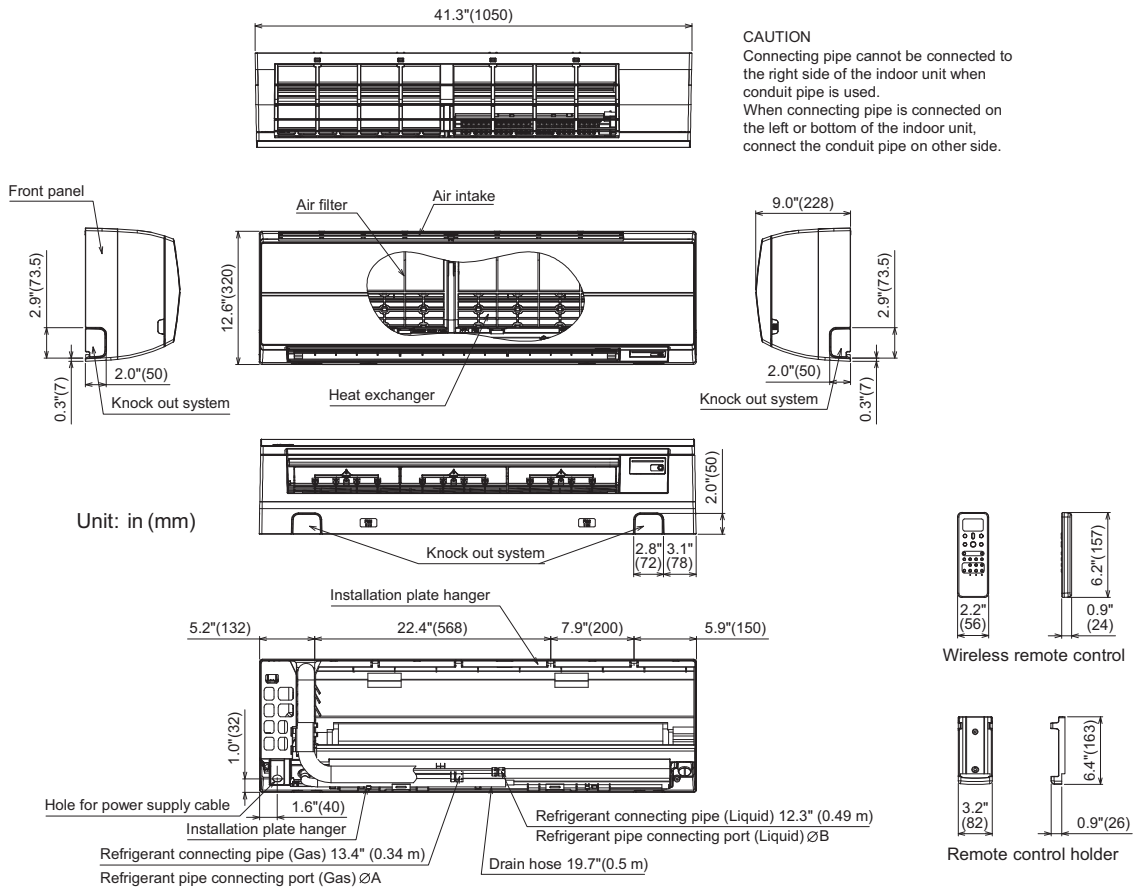
Model name		MMK-	AP0073H2UL	AP0093H2UL	AP0123H2UL	AP0153H2UL	AP0183H2UL	AP0243H2UL	
Cooling Capacity	kBtu/h		7.5	9.5	12	15.4	18	24	
Heating Capacity	kBtu/h		8.5	10.5	13.5	17	20	27	
Electrical characteristics	Power supply	230 V(208/230 V) 1phase 60 Hz							
	Power consumption	kW	0.018	0.021	0.021	0.043	0.043	0.05	
Appearance	Air intake grille and side panel		Moon white (Munsell 2.5GY9.0/0.5)						
	Discharge-grille		Moon white (Munsell 2.5GY9.0/0.5)						
	Bottom surface		Moon white (Munsell 2.5GY9.0/0.5)						
Dimension	Unit	Height	In	12.6	12.6	12.6	12.6	12.6	12.6
		Width	In	41.3	41.3	41.3	41.3	41.3	41.3
		Depth	In	9.0	9.0	9.0	9.0	9.0	9.0
	Packing	Height	In	15.7	15.7	15.7	15.7	15.7	15.7
		Width	In	43.9	43.9	43.9	43.9	43.9	43.9
		Depth	In	11.9	11.9	11.9	11.9	11.9	11.9
Total weight	Unit		lbs	33	33	33	33	33	33
	Packed unit		lbs	42	42	42	42	42	42
Heat exchanger			Finned tube						
Fan unit	Fan		Cross-flow fan						
	Standard air flow (High/Mid/Low)		cfm	340/270/230	350/280/230	350/280/230	490/390/320	490/390/320	600/440/340
	Motor		W	30	30	30	30	30	30
Air filter			Standard filter attached						
Connecting pipe	Gas side		In	3/8"	3/8"	3/8"	1/2"	1/2"	5/8"
	Liquid side		In	1/4"	1/4"	1/4"	1/4"	1/4"	3/8"
	Drain port (Nominal dia.)		In	VP16(Polyvinyl chloride tube: External Dia.0.87 Internal Dia.0.63)					
Sound pressure level (High/Mid/Low)		(*1) dB(A)	36/32.5/30	39/34/30	39/34/30	43/38/34.5	43/38/34.5	47.5/40.5/35	

Note

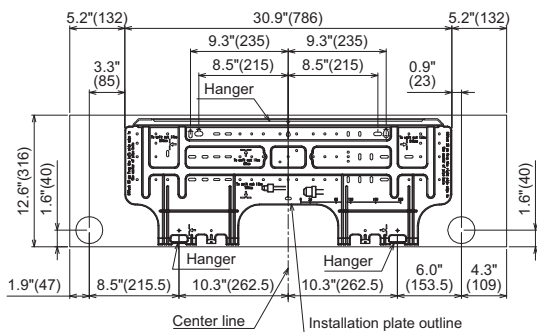
(*1) The actual values in an external operating environment are generally higher than the indicated values due to the contribution from ambient noise.

2. Dimensions

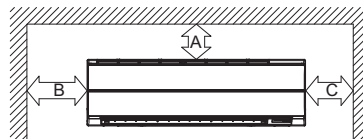
MMK-AP0073H2UL, AP0093H2UL, AP0123H2UL, AP0153H2UL, AP0183H2UL, AP0243H2UL



CAUTION
Connecting pipe cannot be connected to the right side of the indoor unit when conduit pipe is used.
When connecting pipe is connected on the left or bottom of the indoor unit, connect the conduit pipe on other side.



Space required for installation and servicing



Distance	Comments
A 2.0"(50) or more	
B 33.5"(850) or more	For exchange of cross flow fan
C 6.7"(170) or more	

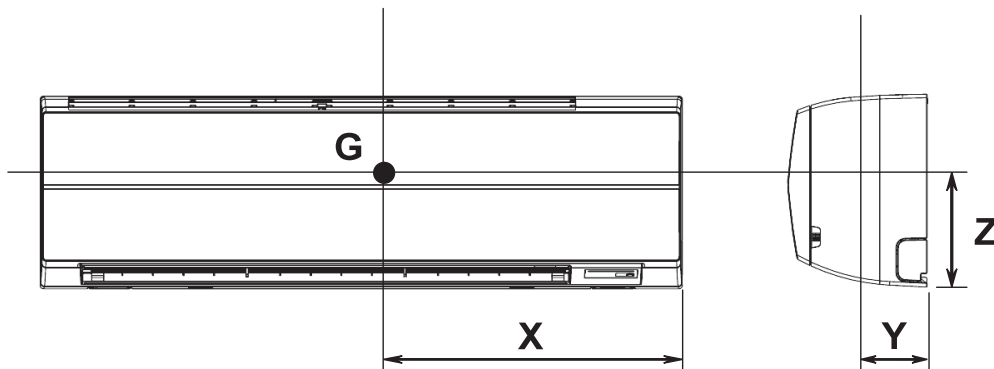
Installation plate

Unit:in (mm)

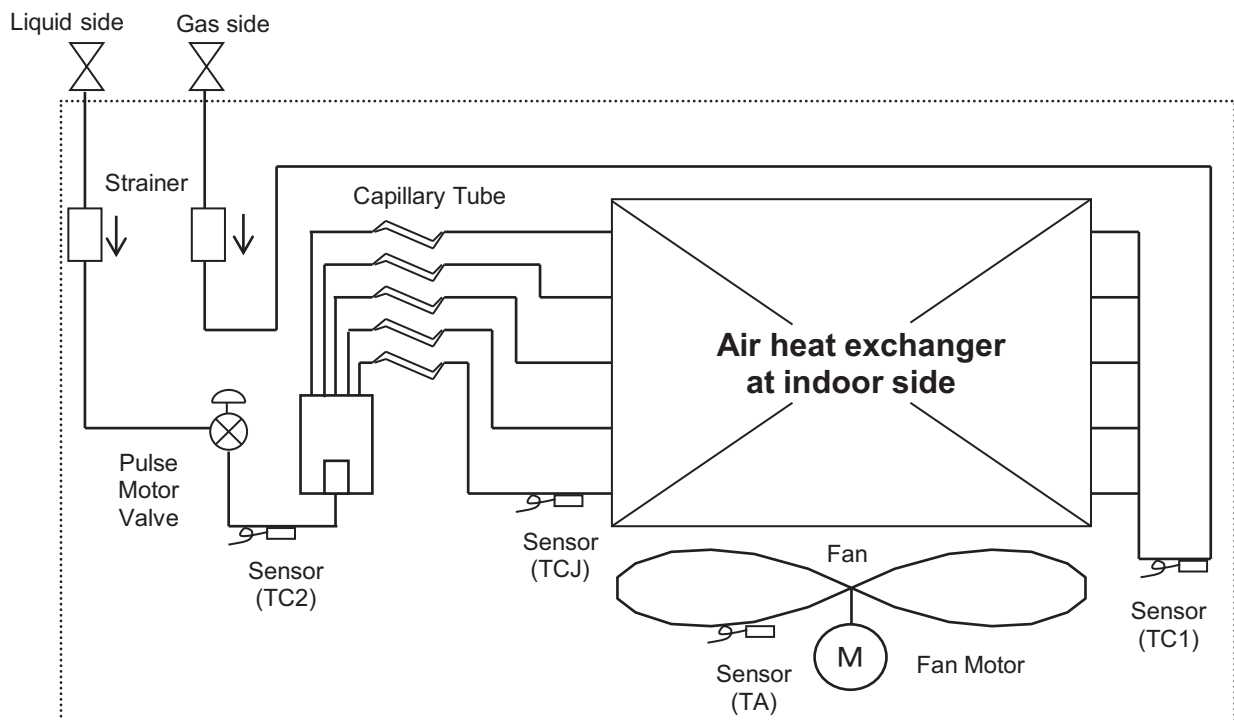
Model	MMK-	A	B
AP007, 009, 012 Type		3/8" (9.5)	1/4" (6.4)
AP015, 018 Type		1/2" (12.7)	1/4" (6.4)
AP024 Type		5/8" (15.9)	3/8" (9.5)

3. Center of gravity

Model name	X (In)	Y (In)	Z (In)	Total weight (lbs)
MMK-AP0073H2UL	17.5	4.15	6.7	33
MMK-AP0093H2UL				
MMK-AP0123H2UL				
MMK-AP0153H2UL				
MMK-AP0183H2UL				
MMK-AP0243H2UL				



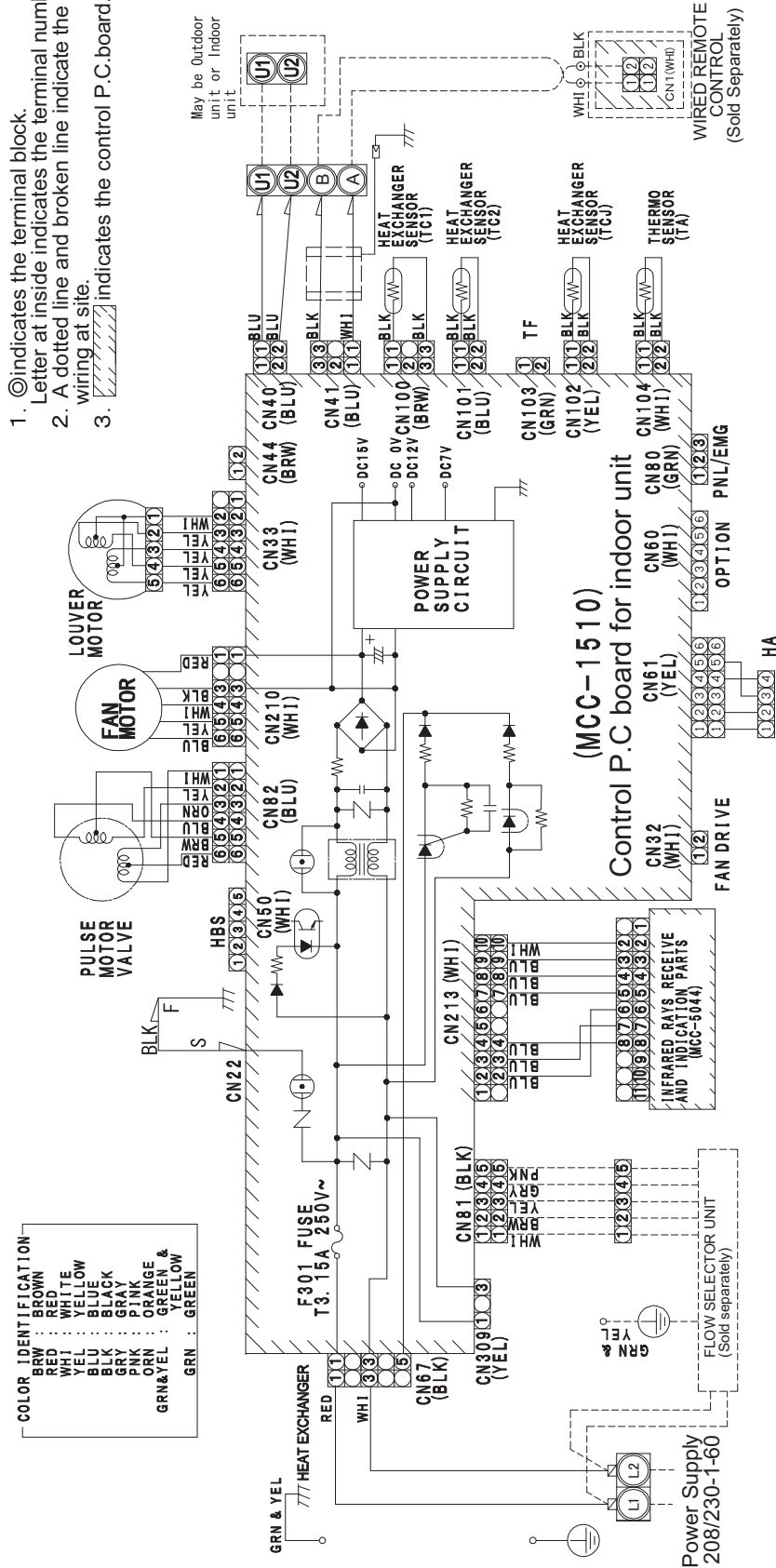
4. Piping diagram



5. Wiring diagram

MMK-AP0073H2UL, AP0093H2UL, AP0123H2UL, AP0153H2UL, AP0183H2UL, AP0243H2UL

1. indicates the terminal block.
2. Letter at inside indicates the terminal number.
3. A dotted line and broken line indicate the wiring at site.
4. indicates the control P.C.board.



6. Electrical current characteristics

Type	Model	Nominal Voltage (V-Ph-Hz)	Voltage Range (V)		Power consumption kW	FLA A	MCA A	MOCP A
			Min	Max				
High Wall type	MMK-AP0073H2UL	208/230-1-60	187	253	0.018	0.2	0.3	15
	MMK-AP0093H2UL	208/230-1-60	187	253	0.021	0.2	0.3	15
	MMK-AP0123H2UL	208/230-1-60	187	253	0.021	0.2	0.3	15
	MMK-AP0153H2UL	208/230-1-60	187	253	0.043	0.4	0.5	15
	MMK-AP0183H2UL	208/230-1-60	187	253	0.043	0.4	0.5	15
	MMK-AP0243H2UL	208/230-1-60	187	253	0.05	0.4	0.5	15

MCA: Minimum Circuit Amps

FLA: Full Load Amps

MOCP: Maximum Overcurrent Protection (Amps)

7. Sensible capacity table

High Wall type (MMK-AP__3H2UL)

TC: Total capacity [Btu/h] SHC: Sensible capacity [Btu/h]

unit size	outdoor air temp. °FDB	indoor air temp.													
		59 °FWB		61 °FWB		64 °FWB		67 °FWB		68 °FWB		72 °FWB		75 °FWB	
		71 °FDB		73 °FDB		77 °FDB		80 °FDB		82 °FDB		86 °FDB		90 °FDB	
	TC	SHC	TC	SHC	TC	SHC	TC	SHC	TC	SHC	TC	SHC	TC	SHC	
007	50	6380	5260	6680	5400	7100	5620	7500	5800	7630	5820	8110	5740	8450	5530
	54	6380	5260	6680	5400	7100	5620	7500	5800	7630	5820	8110	5740	8450	5530
	57	6380	5260	6680	5400	7100	5620	7500	5800	7630	5820	8110	5740	8450	5530
	61	6380	5260	6680	5400	7100	5620	7500	5800	7630	5820	8110	5740	8450	5530
	64	6380	5260	6680	5400	7100	5620	7500	5800	7630	5820	8110	5740	8450	5530
	68	6380	5260	6680	5400	7100	5620	7500	5800	7630	5820	8110	5740	8450	5530
	70	6380	5260	6680	5400	7100	5620	7500	5800	7630	5820	8110	5740	8450	5530
	73	6380	5260	6680	5400	7100	5620	7500	5800	7630	5820	8110	5740	8450	5530
	77	6380	5260	6680	5400	7100	5620	7500	5800	7630	5820	8110	5740	8450	5530
	81	6380	5260	6680	5400	7100	5620	7500	5800	7630	5820	8110	5740	8450	5530
	84	6380	5260	6680	5400	7100	5620	7500	5800	7630	5820	8110	5740	8450	5530
	88	6380	5260	6680	5400	7100	5620	7500	5800	7630	5820	8110	5740	8450	5530
	91	6380	5260	6680	5400	7100	5620	7500	5800	7630	5820	8110	5740	8450	5530
95	6380	5260	6680	5400	7100	5620	7500	5800	7630	5820	8110	5740	8450	5530	
99	6190	5110	6490	5240	6890	5460	7280	5630	7410	5650	7870	5570	8200	5370	
102	6050	4990	6330	5120	6730	5330	7110	5500	7230	5520	7690	5440	8010	5240	
009	50	8090	6160	8460	6320	9000	6590	9500	6790	9660	6810	10270	6720	10700	6470
	54	8090	6160	8460	6320	9000	6590	9500	6790	9660	6810	10270	6720	10700	6470
	57	8090	6160	8460	6320	9000	6590	9500	6790	9660	6810	10270	6720	10700	6470
	61	8090	6160	8460	6320	9000	6590	9500	6790	9660	6810	10270	6720	10700	6470
	64	8090	6160	8460	6320	9000	6590	9500	6790	9660	6810	10270	6720	10700	6470
	68	8090	6160	8460	6320	9000	6590	9500	6790	9660	6810	10270	6720	10700	6470
	70	8090	6160	8460	6320	9000	6590	9500	6790	9660	6810	10270	6720	10700	6470
	73	8090	6160	8460	6320	9000	6590	9500	6790	9660	6810	10270	6720	10700	6470
	77	8090	6160	8460	6320	9000	6590	9500	6790	9660	6810	10270	6720	10700	6470
	81	8090	6160	8460	6320	9000	6590	9500	6790	9660	6810	10270	6720	10700	6470
	84	8090	6160	8460	6320	9000	6590	9500	6790	9660	6810	10270	6720	10700	6470
	88	8090	6160	8460	6320	9000	6590	9500	6790	9660	6810	10270	6720	10700	6470
	91	8090	6160	8460	6320	9000	6590	9500	6790	9660	6810	10270	6720	10700	6470
95	8090	6160	8460	6320	9000	6590	9500	6790	9660	6810	10270	6720	10700	6470	
99	7860	5980	8210	6140	8740	6400	9220	6590	9380	6610	9970	6530	10390	6280	
102	7670	5840	8020	5990	8530	6250	9010	6440	9160	6460	9740	6370	10140	6130	
012	50	10210	7550	10690	7760	11360	8070	12000	8330	12210	8360	12980	8250	13510	7940
	54	10210	7550	10690	7760	11360	8070	12000	8330	12210	8360	12980	8250	13510	7940
	57	10210	7550	10690	7760	11360	8070	12000	8330	12210	8360	12980	8250	13510	7940
	61	10210	7550	10690	7760	11360	8070	12000	8330	12210	8360	12980	8250	13510	7940
	64	10210	7550	10690	7760	11360	8070	12000	8330	12210	8360	12980	8250	13510	7940
	68	10210	7550	10690	7760	11360	8070	12000	8330	12210	8360	12980	8250	13510	7940
	70	10210	7550	10690	7760	11360	8070	12000	8330	12210	8360	12980	8250	13510	7940
	73	10210	7550	10690	7760	11360	8070	12000	8330	12210	8360	12980	8250	13510	7940
	77	10210	7550	10690	7760	11360	8070	12000	8330	12210	8360	12980	8250	13510	7940
	81	10210	7550	10690	7760	11360	8070	12000	8330	12210	8360	12980	8250	13510	7940
	84	10210	7550	10690	7760	11360	8070	12000	8330	12210	8360	12980	8250	13510	7940
	88	10210	7550	10690	7760	11360	8070	12000	8330	12210	8360	12980	8250	13510	7940
	91	10210	7550	10690	7760	11360	8070	12000	8330	12210	8360	12980	8250	13510	7940
95	10210	7550	10690	7760	11360	8070	12000	8330	12210	8360	12980	8250	13510	7940	
99	9910	7330	10380	7530	11030	7840	11650	8090	11860	8120	12600	8010	13120	7710	
102	9680	7160	10130	7360	10770	7650	11380	7900	11580	7930	12310	7820	12810	7530	

High Wall type (MMK-AP__3H2UL)

TC: Total capacity [Btu/h] SHC: Sensible capacity [Btu/h]

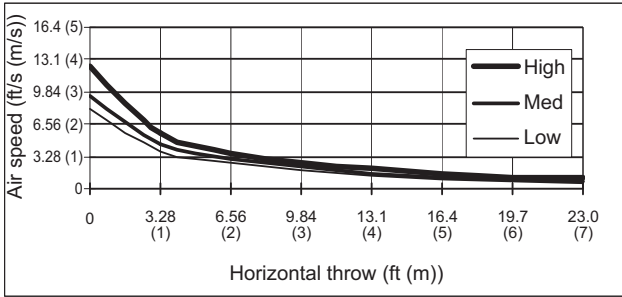
unit size	outdoor air temp. °FDB	indoor air temp.													
		59 °FWB		61 °FWB		64 °FWB		67 °FWB		68 °FWB		72 °FWB		75 °FWB	
		71 °FDB		73 °FDB		77 °FDB		80 °FDB		82 °FDB		86 °FDB		90 °FDB	
		TC	SHC	TC	SHC	TC	SHC	TC	SHC	TC	SHC	TC	SHC	TC	SHC
015	50	13110	9000	13710	9240	14580	9620	15400	9920	15660	9950	16660	9820	17340	9450
	54	13110	9000	13710	9240	14580	9620	15400	9920	15660	9950	16660	9820	17340	9450
	57	13110	9000	13710	9240	14580	9620	15400	9920	15660	9950	16660	9820	17340	9450
	61	13110	9000	13710	9240	14580	9620	15400	9920	15660	9950	16660	9820	17340	9450
	64	13110	9000	13710	9240	14580	9620	15400	9920	15660	9950	16660	9820	17340	9450
	68	13110	9000	13710	9240	14580	9620	15400	9920	15660	9950	16660	9820	17340	9450
	70	13110	9000	13710	9240	14580	9620	15400	9920	15660	9950	16660	9820	17340	9450
	73	13110	9000	13710	9240	14580	9620	15400	9920	15660	9950	16660	9820	17340	9450
	77	13110	9000	13710	9240	14580	9620	15400	9920	15660	9950	16660	9820	17340	9450
	81	13110	9000	13710	9240	14580	9620	15400	9920	15660	9950	16660	9820	17340	9450
	84	13110	9000	13710	9240	14580	9620	15400	9920	15660	9950	16660	9820	17340	9450
	88	13110	9000	13710	9240	14580	9620	15400	9920	15660	9950	16660	9820	17340	9450
	91	13110	9000	13710	9240	14580	9620	15400	9920	15660	9950	16660	9820	17340	9450
95	13110	9000	13710	9240	14580	9620	15400	9920	15660	9950	16660	9820	17340	9450	
99	12730	8740	13310	8970	14160	9340	14950	9630	15210	9660	16180	9540	16840	9180	
102	12430	8530	13000	8760	13820	9120	14600	9400	14850	9430	15790	9310	16440	8960	
018	50	15320	10490	16030	10780	17040	11210	18000	11570	18310	11600	19470	11460	20270	11030
	54	15320	10490	16030	10780	17040	11210	18000	11570	18310	11600	19470	11460	20270	11030
	57	15320	10490	16030	10780	17040	11210	18000	11570	18310	11600	19470	11460	20270	11030
	61	15320	10490	16030	10780	17040	11210	18000	11570	18310	11600	19470	11460	20270	11030
	64	15320	10490	16030	10780	17040	11210	18000	11570	18310	11600	19470	11460	20270	11030
	68	15320	10490	16030	10780	17040	11210	18000	11570	18310	11600	19470	11460	20270	11030
	70	15320	10490	16030	10780	17040	11210	18000	11570	18310	11600	19470	11460	20270	11030
	73	15320	10490	16030	10780	17040	11210	18000	11570	18310	11600	19470	11460	20270	11030
	77	15320	10490	16030	10780	17040	11210	18000	11570	18310	11600	19470	11460	20270	11030
	81	15320	10490	16030	10780	17040	11210	18000	11570	18310	11600	19470	11460	20270	11030
	84	15320	10490	16030	10780	17040	11210	18000	11570	18310	11600	19470	11460	20270	11030
	88	15320	10490	16030	10780	17040	11210	18000	11570	18310	11600	19470	11460	20270	11030
	91	15320	10490	16030	10780	17040	11210	18000	11570	18310	11600	19470	11460	20270	11030
95	15320	10490	16030	10780	17040	11210	18000	11570	18310	11600	19470	11460	20270	11030	
99	14880	10190	15570	10470	16550	10880	17480	11230	17780	11260	18910	11130	19680	10710	
102	14520	9940	15200	10220	16150	10630	17060	10970	17360	11000	18460	10860	19220	10460	
024	50	20430	14410	21370	14800	22730	15410	24000	15890	24410	15930	25960	15730	27020	15140
	54	20430	14410	21370	14800	22730	15410	24000	15890	24410	15930	25960	15730	27020	15140
	57	20430	14410	21370	14800	22730	15410	24000	15890	24410	15930	25960	15730	27020	15140
	61	20430	14410	21370	14800	22730	15410	24000	15890	24410	15930	25960	15730	27020	15140
	64	20430	14410	21370	14800	22730	15410	24000	15890	24410	15930	25960	15730	27020	15140
	68	20430	14410	21370	14800	22730	15410	24000	15890	24410	15930	25960	15730	27020	15140
	70	20430	14410	21370	14800	22730	15410	24000	15890	24410	15930	25960	15730	27020	15140
	73	20430	14410	21370	14800	22730	15410	24000	15890	24410	15930	25960	15730	27020	15140
	77	20430	14410	21370	14800	22730	15410	24000	15890	24410	15930	25960	15730	27020	15140
	81	20430	14410	21370	14800	22730	15410	24000	15890	24410	15930	25960	15730	27020	15140
	84	20430	14410	21370	14800	22730	15410	24000	15890	24410	15930	25960	15730	27020	15140
	88	20430	14410	21370	14800	22730	15410	24000	15890	24410	15930	25960	15730	27020	15140
	91	20430	14410	21370	14800	22730	15410	24000	15890	24410	15930	25960	15730	27020	15140
95	20430	14410	21370	14800	22730	15410	24000	15890	24410	15930	25960	15730	27020	15140	
99	19840	13990	20750	14370	22070	14960	23300	15430	23700	15470	25210	15270	26240	14700	
102	19370	13660	20260	14030	21550	14610	22750	15060	23140	15100	24610	14910	25610	14350	

8. Fan characteristics

Discharge Air Speed and Air Throw

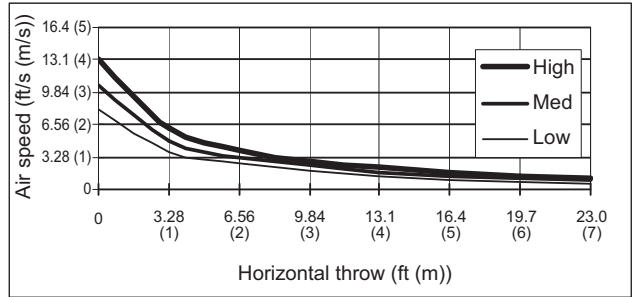
Model: MMK-AP0073H2UL

Horizontal discharge initial speed High wind : 12.5 ft/s (3.8 m/s)
 Med wind : 9.51 ft/s (2.9 m/s)
 Low wind : 8.20 ft/s (2.5 m/s)



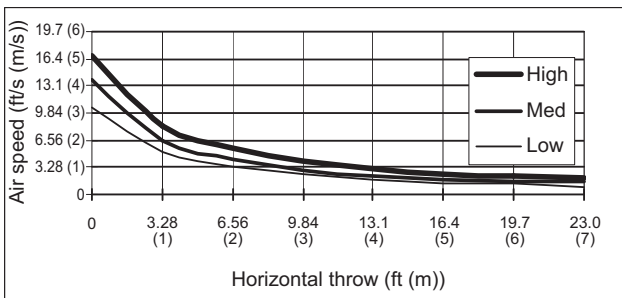
Model: MMK-AP0093H2UL/AP0123H2UL

Horizontal discharge initial speed High wind : 13.1 ft/s (4.0 m/s)
 Med wind : 10.5 ft/s (3.2 m/s)
 Low wind : 8.20 ft/s (2.5 m/s)



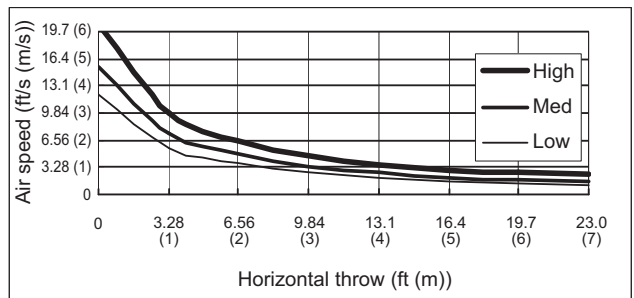
Model: MMK-AP0153H2UL/AP0183H2UL

Horizontal discharge initial speed High wind : 16.7 ft/s (5.1 m/s)
 Med wind : 13.8 ft/s (4.2 m/s)
 Low wind : 10.5 ft/s (3.2 m/s)

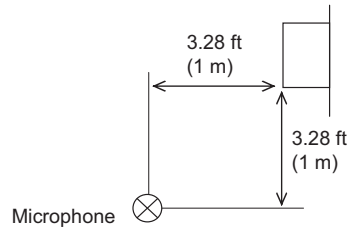


Model: MMK-AP0243H2UL

Horizontal discharge initial speed High wind : 20.3 ft/s (6.2 m/s)
 Med wind : 15.4 ft/s (4.7 m/s)
 Low wind : 12.1 ft/s (3.7 m/s)

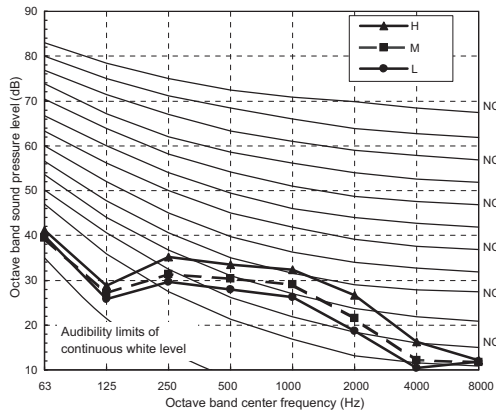


9. Sound data



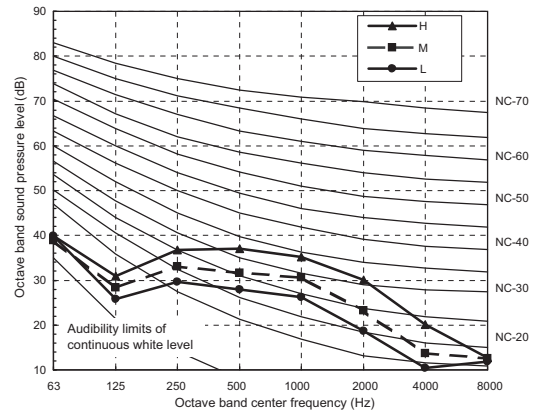
MMK-AP0073H2UL

Sound pressure level (dB (A))	H - M - L
	36-32.5-30



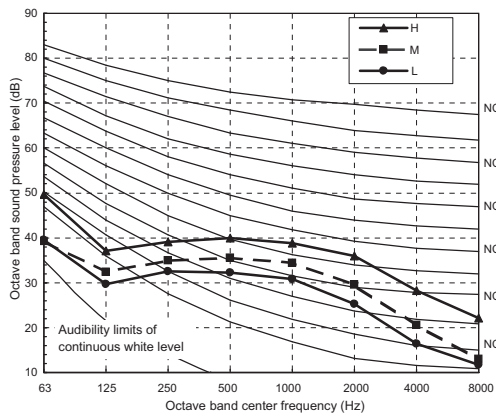
MMK-AP0093H2UL/
AP0123H2UL

Sound pressure level (dB (A))	H - M - L
	39-34-30



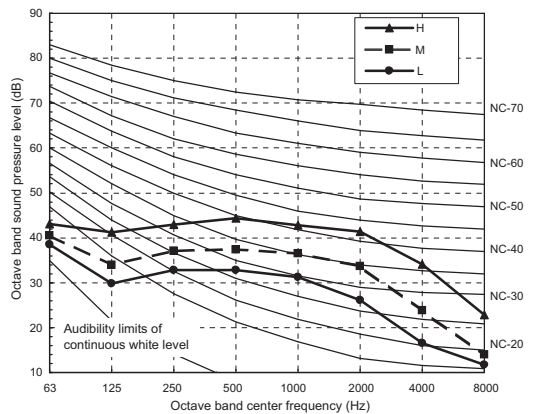
MMK-AP0153H2UL/
AP0183H2UL

Sound pressure level (dB (A))	H - M - L
	43-38-34.5



MMK-AP0243H2UL



Sound pressure level (dB (A))	H - M - L
	47.5-40.5-35



10. Accessories

Remote control

Packed with the indoor unit

Name	Model name	Appearance	Application	Function
Wireless remote control	WH-L15SE			<ul style="list-style-type: none"> • Start / Stop • Changing mode • Temperature setting • Air flow changing (5 steps) • Louver setting • Clock • Timer function <ul style="list-style-type: none"> - ON/OFF timer (10 min. step) - Everyday timer - Sleep timer - COMFORT SLEEP timer • High power mode • QUIET mode • One-touch pre-set memory • A/B temperature display switching

High Wall type Engineering Data Book

Model name:

MMK-AP__3H2UL

March, 2016 First Edition

TOSHIBA CARRIER CORPORATION