

VRF Controls and Accessories

40VM900010 - DLS VRF Interface



Submittal Data

Job Name _____ Location _____
 Tag _____

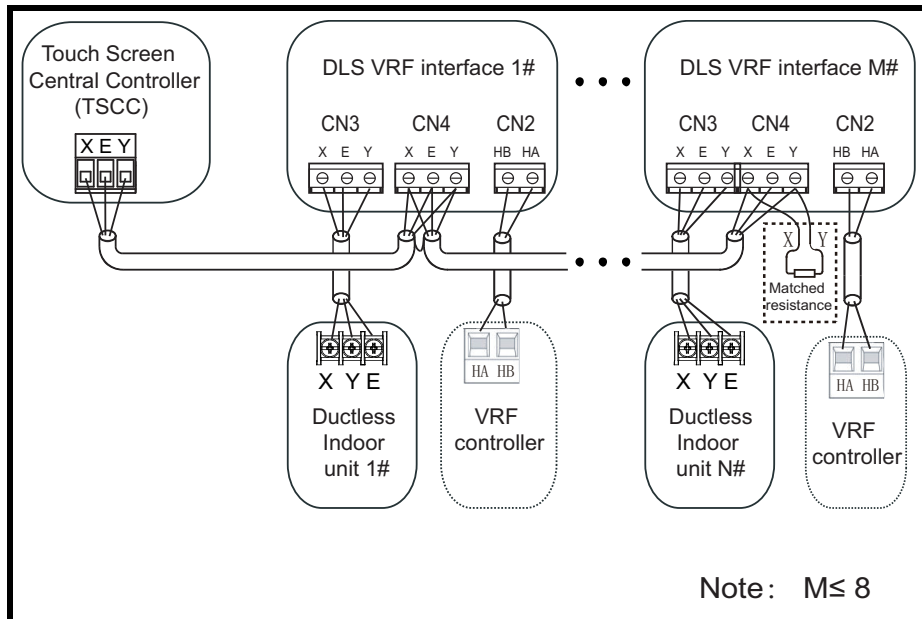


DLS VRF Interface

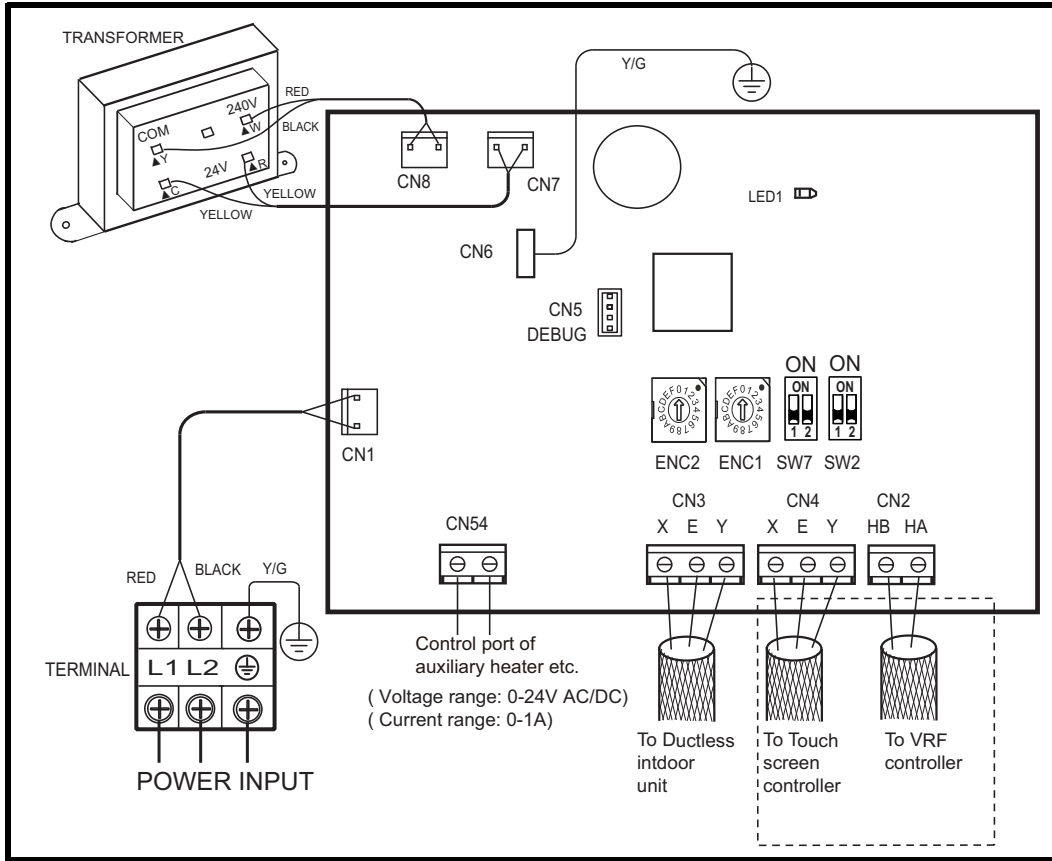
- Connect ductless indoor units into VRF touch screen central controller.
- Ductless indoor unit can be controlled using VRF or DLS wired controller.
- Mode of operation
- Set fan Speed
- Set temperature

| | | |
|--------------|-------------------|----------|
| Part Name | DLS VRF Interface | |
| Part Number | 40VM900010 | |
| Power Supply | V/Ph/Hz | 230-1-60 |
| Dimensions | H (in) | 8-3/4 |
| | W (in) | 10-1/2 |
| | D (in) | 3-7/16 |
| Net Weight | lbs | 8.4 |

COMMUNICATION WIRING DIAGRAM DLS VRF INTERFACE – 40VM900010



WIRING DIAGRAM DLS VRF INTERFACE – 40VM900010



NOTES:

1. Address set through the ENC1 and SW7 must be consistent with the address of connected indoor unit.
2. Set temperature unit through SW2_1 must be consistent with central controller, wired controller, and indoor units.

DIMENSIONAL DRAWING DLS VRF INTERFACE – 40VM900010

