

# VRF Controls and Accessories

## 40VM900010 - DLS VRF Interface



### Submittal Data

Job Name \_\_\_\_\_ Location \_\_\_\_\_  
 Tag \_\_\_\_\_

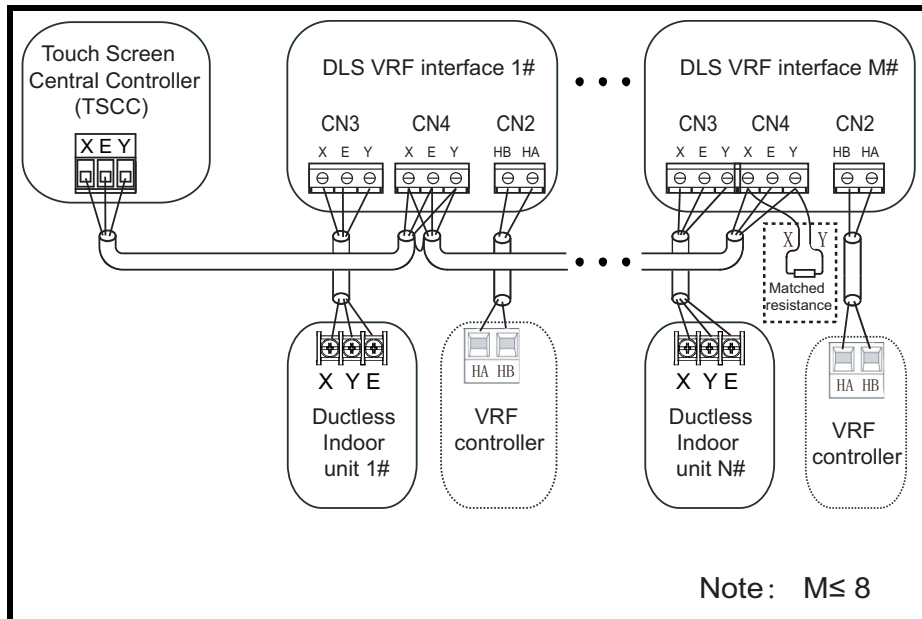


#### DLS VRF Interface

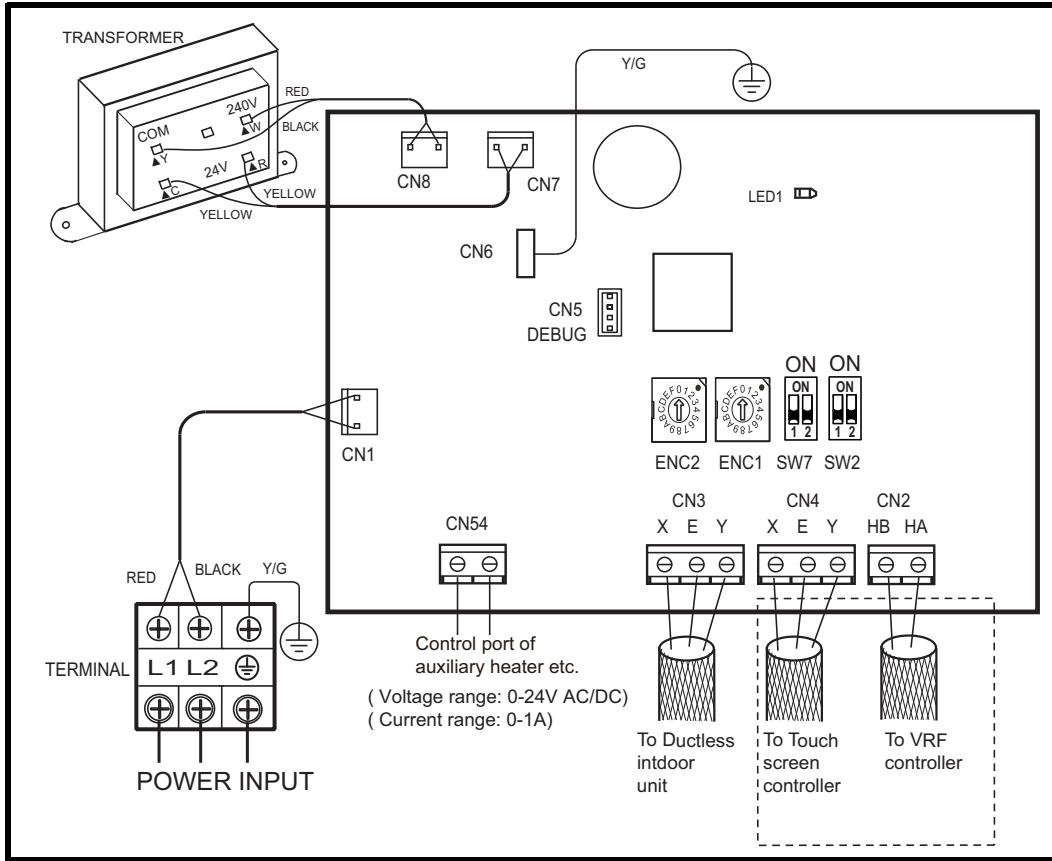
- Connect ductless indoor units into VRF touch screen central controller.
- Ductless indoor unit can be controlled using VRF or DLS wired controller.
- Mode of operation
- Set fan Speed
- Set temperature

Part Name	DLS VRF Interface	
Part Number	40VM900010	
Power Supply	V/Ph/Hz	230-1-60
Dimensions	H (in)	8-3/4
	W (in)	10-1/2
	D (in)	3-7/16
Net Weight	lbs	8.4

### COMMUNICATION WIRING DIAGRAM DLS VRF INTERFACE – 40VM900010



# WIRING DIAGRAM DLS VRF INTERFACE – 40VM900010



**NOTES:**

1. Address set through the ENC1 and SW7 must be consistent with the address of connected indoor unit.
2. Set temperature unit through SW2\_1 must be consistent with central controller, wired controller, and indoor units.

# DIMENSIONAL DRAWING DLS VRF INTERFACE – 40VM900010

