

# SMMSi / SHRMi VRF Controls and Accessories BMS-LSV6UL - BACnet Server

**TOSHIBA**  
*Carrier*

## Submittal Data

Job Data \_\_\_\_\_ Location \_\_\_\_\_  
 Buyer \_\_\_\_\_ Buyer PO # \_\_\_\_\_ Carrier # \_\_\_\_\_  
 Unit Number \_\_\_\_\_ Model Number \_\_\_\_\_  
 Performance Data Certified By \_\_\_\_\_ Date \_\_\_\_\_



### SMMSi / SHRMi VRF BACnet Server Features

The BACnet server operates in conjunction with the BACnet system. Following functions are provided by using object signals:

#### CONTROLLER

- ON/OFF
- Operation Mode
- Temperature Setting
- Fan Speed
- Louver
- Permit/Prohibit Local Remote Controller

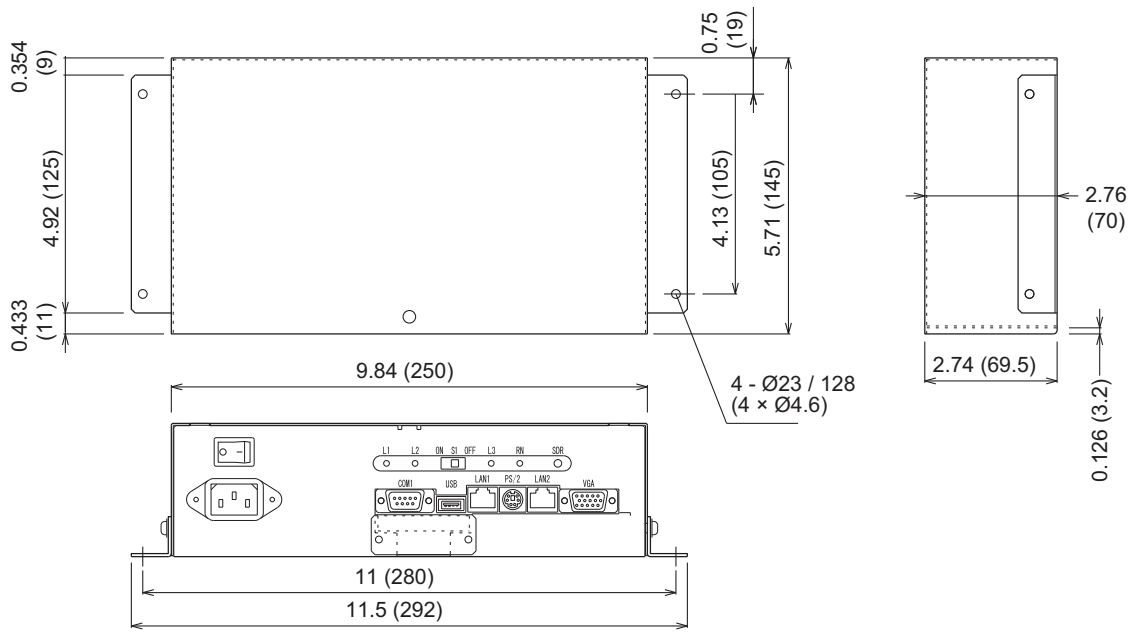
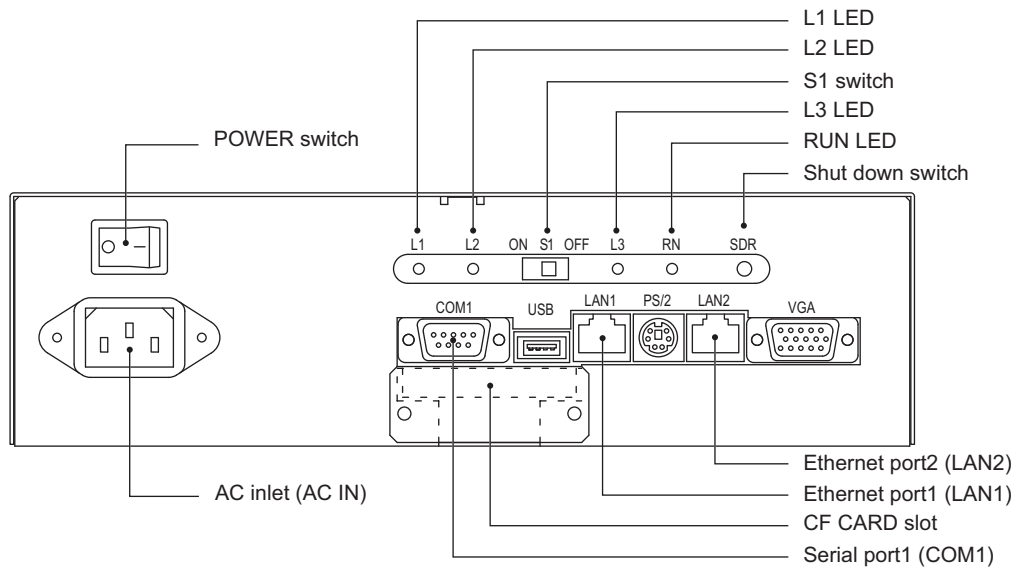
#### MONITORING

- ON/OFF
- Operation Mode
- Temperature Setting
- Fan Speed
- Louver
- Room Temperature
- Permit/Prohibit Local Remote Controller
- Error Code
- Error Status

PART NAME	BACnet SERVER
Model Number	BMS-LSV6UL
Power Supply	120 VAC, 60 Hz
Current	0.2 A
Operating Temperature/Humidity	32 to 104 F (0 to 40 C), 10 to 90% RH (no condensation)
Storage Temperature	-4 to 140 F (-20 to 60 C)
Dimension	9.84 (W) x 2.76 (H) x 5.71 (D) in. (250 (W) x 70 (H) x 145 (D) mm) 11.5 (292) (W) including the fixing metal plate
Weight, lb (kg)	3.31 (1.5)
COM Port	RS-485 (9-pin, D-SUB)
LAN	10BASE-T / 100BASE-TX

Manufacturer reserves the right to discontinue, or change at any time, specifications or designs without notice and without incurring obligations.

# DETAILS AND DIMENSIONAL DRAWING BACnet SERVER BMS-LSV6UL



NOTE: Dimensions are in inches (mm).