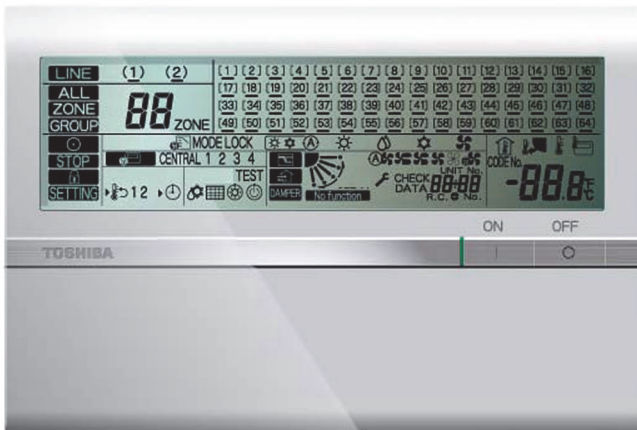


SMMSi / SHRMi VRF Controls and Accessories BMS-SM1280HTLUL - Smart Manager

TOSHIBA
Carrier

Submittal Data

Job Data _____ Location _____
 Buyer _____ Buyer PO # _____ Carrier # _____
 Unit Number _____ Model Number _____
 Performance Data Certified By _____ Date _____



MAX 128 INDOOR UNITS PER SMART MANAGER
(2 TCC links with 64 units each)

SMMSi / SHRMi VRF Smart Manager Features

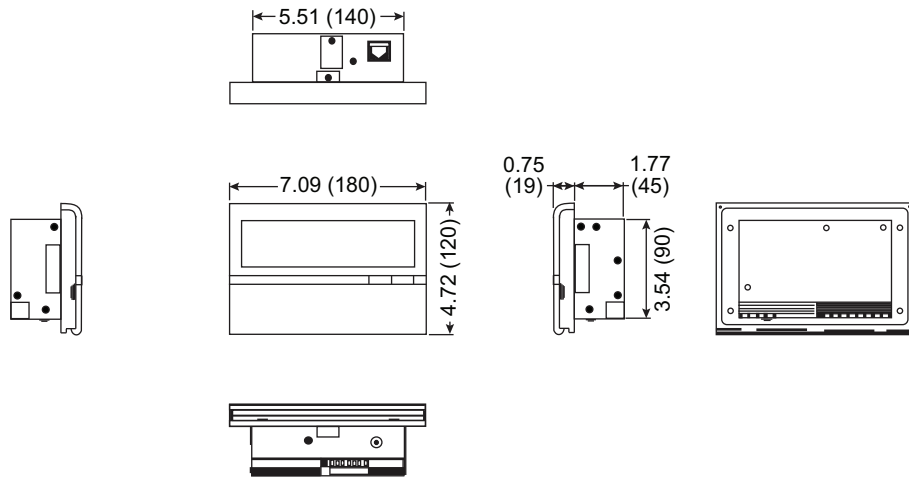
- Displays all units on one screen
- Shows basic indoor unit setting on main screen
- Advance operation and master schedule functions are available
- Up to 4 concurrent web browser users can be connected simultaneously
- Up to 32 users accounts can be programmed with different levels of access (at least one must be administrator level)
- Energy monitoring and report creation functions are available
- Advance operation and master schedules can be set on a calendar
- Additional digital I/O device available
- Thin profile controller and separate power supply unit enables easy installation
- Up to 10 scheduled events / day, 32 separate schedule patterns / year

| PART NAME | | SMART MANAGER | POWER UNIT |
|----------------------------------|----------------------------------|---|---|
| Model Number | | BMS-SM1280HTLUL | |
| Power Supply | | Use bundled power unit | 120 VAC, 60 Hz |
| Power Consumption | | | 6 W (SM1280) / 4 W (CM1281) |
| Connectable unit number | Indoor Unit | Up to 128 units Line 1: Up to 64 units Line 2: Up to 64 units | — |
| | Energy monitoring interface | Up to 4 units | — |
| | Digital input / output interface | Up to 4 units | — |
| Operating temperature / humidity | | 32 to 104 F (0 to 40 C), 10 to 90% RH (no condensation) | |
| Dimension | | 4.72 (H) x 7.09 (W) x 2.52 (D) in. (120 (H) x 180 (W) x 64 (D) mm) | 4.49 (H) x 6.97 (W) x 1.97 (D) in. (114 (H) x 177 (W) x 50 (D) mm) |
| Weight lb (kg) | | 1.77 (0.8) | 1.99 (0.9) |

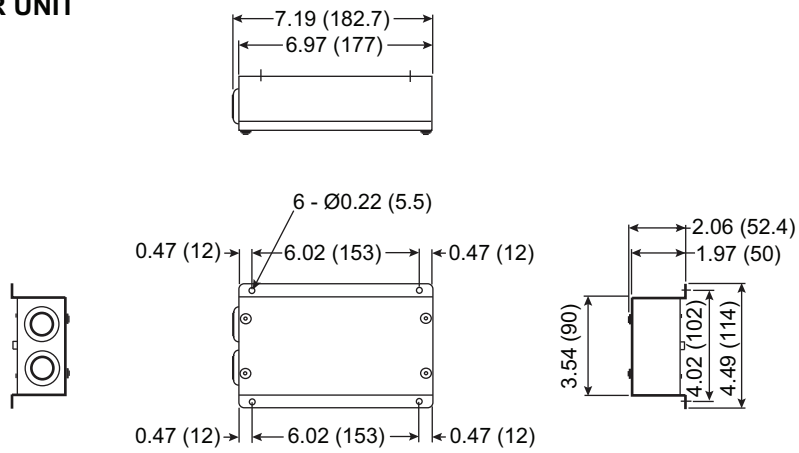
Manufacturer reserves the right to discontinue, or change at any time, specifications or designs without notice and without incurring obligations.

DIMENSIONAL DRAWING SMART MANAGER BMS-SM1280HTLUL

CENTRAL CONTROLLER



POWER UNIT



NOTE: Dimensions are in inches (mm).