

Wired Remote Controller 7 Day Programmable

Model: KSACN0701AAA

Submittal Data

Job Data: _____ Location: _____

Buyer: _____ Buyer P.O. #: _____ Carrier #: _____

Unit Number: _____ Model Number: _____

Performance Data Certified By: _____ Date: _____



Features

- LCD Display
- °F/°C Convertible
- Backlight display
- Follow Me default, temperature sensing on the controller
- 4-wire quick connect
- Room temperature display
- Troubleshooting error code display
- Infrared IR receiver built-in
- Clock
- 12 HR format (am/pm)

Functions

- Weekly Schedule 7 day programmable
- Mode: Auto-Cool-Dry-Heat-Fan
- Operation Mode Locking
 - CH Heat Pump
 - CC Cooling Only
 - HH Heating Only
 - NA No Auto Mode
- Fan Speed: Auto/Low/Med/High speed
- Set temperature range limit
- Airflow direction Horizontal and Vertical (on some models)
- Temperature Setting
- Child Lock

Parts included

- Wired Remote Controller
- Installation and owner's manual
- Screws M4X20
- Wall Plugs
- Plastic Screw Bars
- Battery
- Connection Cable 19 ft (6m)

Accessories, Sold Separately

- Additional extension cable 19 ft (6m) available through Replacement Components. **Part Number: 17401204000769**

Compatibility

Cassette, Ducted, Console & Air Handler. Refer to the compatibility charts for specific model numbers.

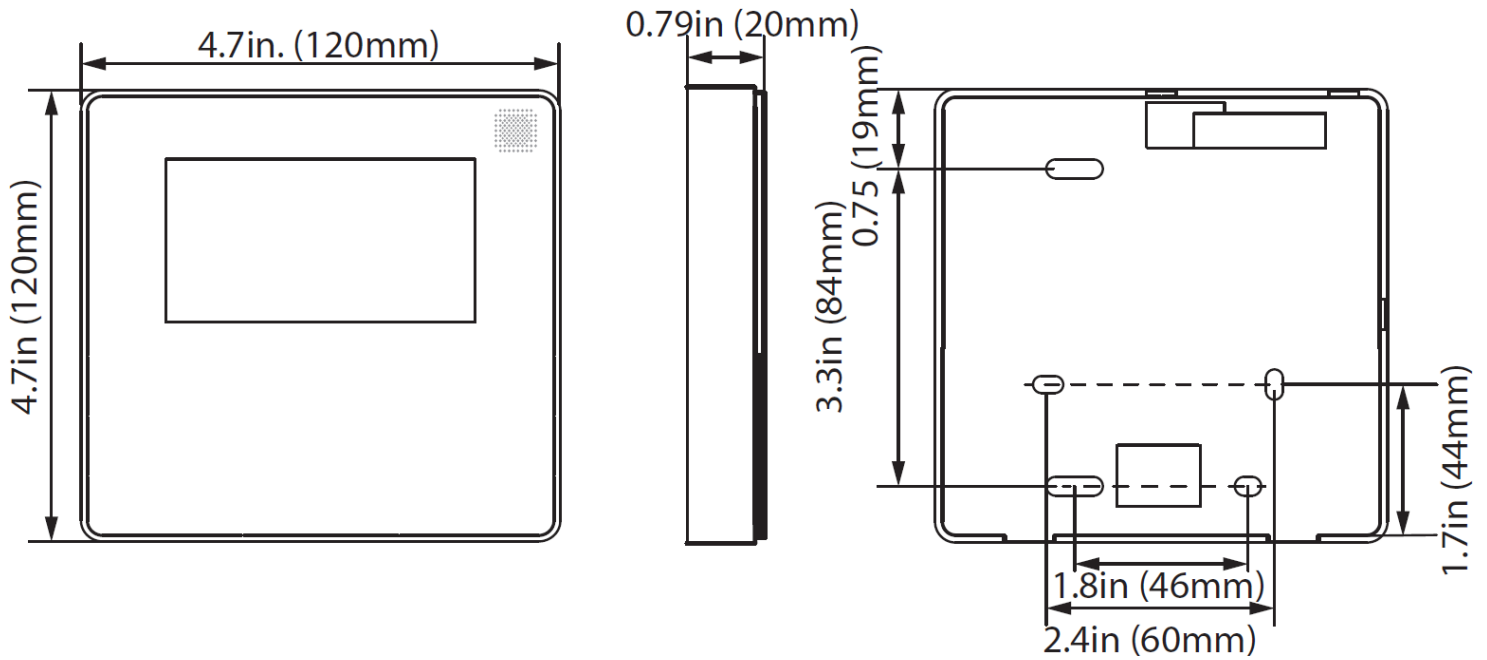
Specifications

Input Voltage	DC 12V
Ambient Temperature	23 ~ 110°F (-5 - 43°C)
Ambient Humidity	40%RH ~ 90%RH

Wiring Specification

Wiring Type	Size	Maximum Length
Sheathed vinyl cord or cable	16 – 18AWG (0.75 – 1.25mm ²)	164ft (50m)

Construction View



Wiring

