



i-Vu® Building Automation System VVT Bypass II

Part Number: OPN-VVTBP-02



The i-Vu® Building Automation System provides everything you need to access, manage, and control your building, including the powerful i-Vu user interface, plug-and-play BACnet controllers, and state-of-the-art Carrier equipment.

The VVT Bypass II controller is used to regulate the supply duct static pressure for a variety of pressure-dependent VVT applications and allows constant volume HVAC equipment to provide zone level temperature control. This advanced controller features a separable, brushless actuator and an integral pressure sensor for reliability and longevity. It also features native BACnet communications and plug-and-play connectivity to the Carrier i-Vu Building Automation System.

Application Features

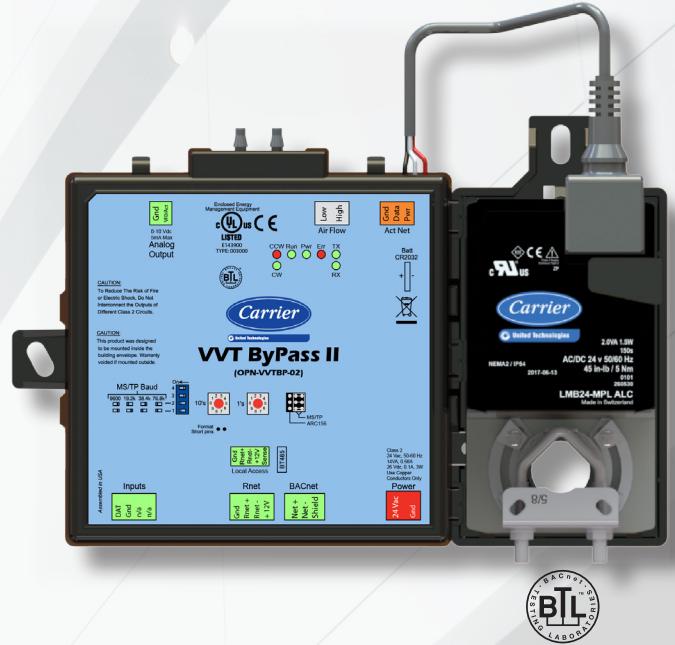
- Sophisticated factory-engineered and tested control programs provide reliability and energy efficiency
- Temperature protection minimizes the occurrence of air source heating and/or cooling lockouts based on unacceptable discharge temperatures
- VFD support via 0-10VDC analog output to provide drive speed modulation
- Can drive multiple damper actuators
- Provides automatic pressure sensor calibration

System Benefits

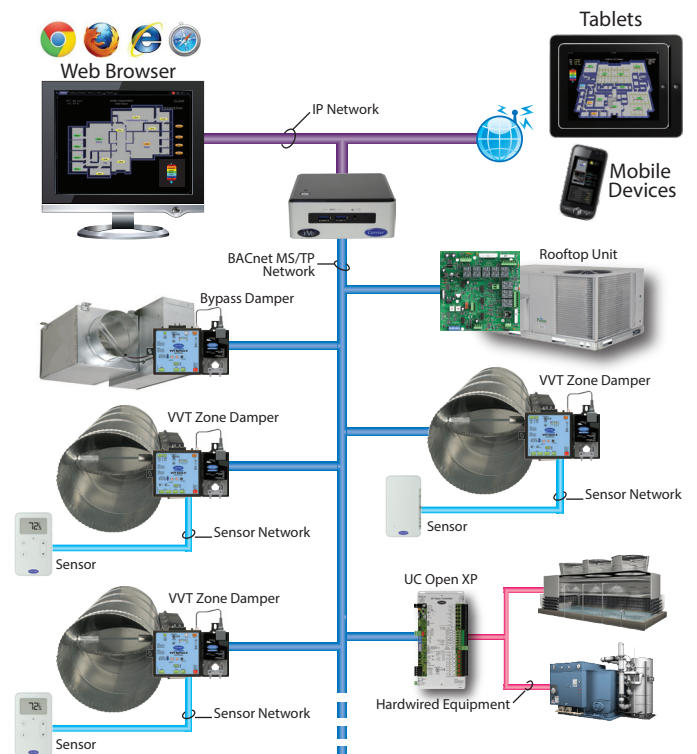
- Integrated Carrier airside linkage algorithm for plug-and-play integration with the Carrier VVT System
- Fully plug-and-play with the Carrier i-Vu Building Automation System

Hardware Features

- Separable brushless actuator and integral pressure sensor
- Designed for vertical or horizontal mounting
- Capable of system or stand-alone operation
- Native BACnet MS/TP or ARCNET communications



The Carrier i-Vu Building Automation System





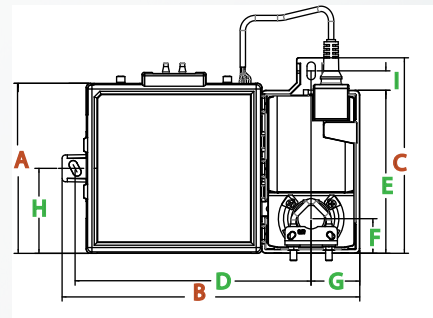
i-Vu® Building Automation System

VVT Bypass II

Part Number: OPN-VVTBP-02

BACnet Support	Advanced Application Controller (B-AAC), as defined in BACnet 135-2012 Annex L Protocol rev. 9
Communication Ports	BACnet port: EIA-485 port for BACnet MS/TP communications (9600 bps, 19.2 kbps, 38.4 kbps, & 76.8 kbps) or ARCNET 156 kbps; Local Access port: For system start-up and troubleshooting (115.2 kbps); Rnet port: Not used ACTnet Port: For connecting the actuator cable
Separable Actuator	Brushless DC motor, torque 45 inch-pounds (5Nm), runtime 205 seconds for 90 degree travel during control
Integral Pressure Sensor	Precision low flow AWM series 0–2 in. H ₂ O, sensitive down to ±0.001 in. H ₂ O. Barbed tapered airflow connections accept 3/16 in. (4.75 mm) I.D. tubing. Allows for readings across the 0–2 in. H ₂ O range, accurate to ±5% of full flow at 2 in. H ₂ O
Inputs	1 analog input: DAT (10k thermistor). AI has 10 bit A/D resolution.
Outputs	1 analog output: VFD/Actuator. AO is 0 to 10VDC (5mA maximum) with 8 bit D/A resolution using filtered PWM.
Protection	Incoming power and network connections are protected by non-replaceable internal solidstate polyswitches that reset themselves when the condition that causes a fault returns to normal. The power, network, input, and output connections are also protected against voltage transient and surge events lasting no more than 10 msec.
Battery	10-year Lithium CR2032 battery provides a minimum of 10,000 hours of trend data retention during power outages
Status Indicators	LED status indicators for BACnet MS/TP communication, run status, error, power, and all digital outputs
Controller Addressing	Rotary DIP switches set BACnet MS/TP or ARCNET MAC address of controller
Listed by	UL-916 (PAZX), cUL-916 (PAZX7), FCC Part 15-Subpart B-Class A, CE EN50082-1997, UL94-5VA plenum rated enclosure
Environmental Operating Range	Operating: 32 to 130°F (0 to 54°C) 10 to 90% RH, non-condensing Storage: -24 to 140°F (-30 to 60°C) 0 to 90% RH, non-condensing
Power Requirements	24VAC ± 10%, 50-60Hz, 14 VA power consumption 26VDC (25V min, 30V max), Single Class 2 source only, 100 VA or less

Dimensions	Overall	Mounting
	A: 5.10" (12.95 cm) B: 8.93" (22.68 cm) C: 5.87" (14.90 cm)	D: 7.00" (17.78 cm) E: 4.89" (12.42 cm) F: 1.04" (2.64 cm) G: 1.46" (3.71 cm) H: 2.55" (6.48 cm) I: 0.58" (1.47 cm)
	Depth: 2.5" (6.4 cm) Weight: 1.8 lbs (0.82 kg) Minimum Shaft Diameter: 3/8" (.95 cm) Maximum Shaft Diameter: 1/2" (1.27 cm) Minimum Shaft Length: 1-3/4" (4.45 cm)	



CONTROLS EXPERT
Tested. Certified. Factory Authorized.

For more information, contact
your local Carrier Controls Expert.
Controls Expert Locator:
www.carrier.com/controls-experts

© Carrier Corporation Cat. No. 11-808-449-01 Rev. 11/18
Manufacturer reserves the right to discontinue, or change at any time, specifications or designs, without notice and without incurring obligations. Trademarks are properties of their respective companies and are hereby acknowledged.