



i-Vu® Building Automation System i-Vu 8.0 Pro



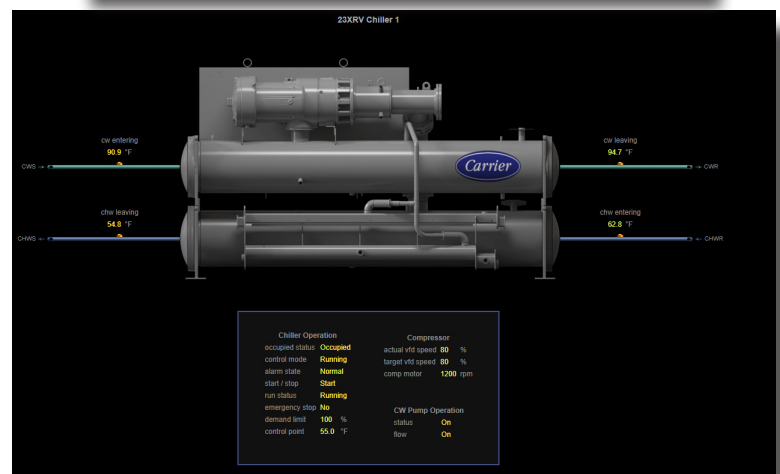
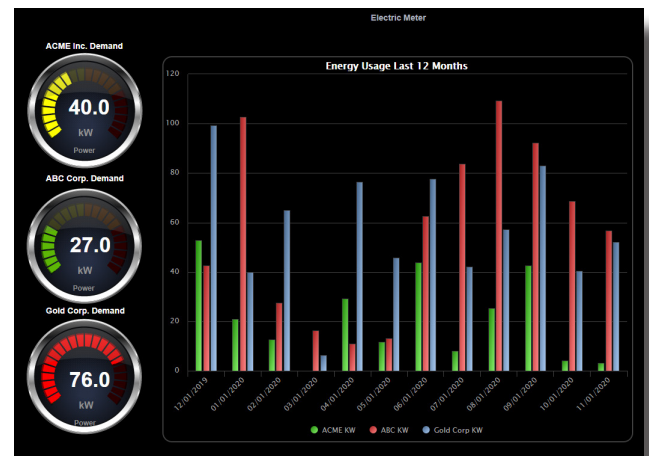
Manage your facility 24/7, 365 days a year with the powerful i-Vu web user interface that allows you to:

- Manage the HVAC equipment in your building from anywhere in the world using a standard web browser
- View and control the equipment in your building with a variety of PCs, tablets, and mobile devices
- Graphically configure and view schedules, setpoints, trends, alarms, and reports
- Integrate, monitor, and control other building systems such as lighting and meters using standard protocols



Features

- Powerful, comprehensive building management with intuitive point-and-click graphical access
- Dynamic, scalable vector floor plan graphics dynamically resize to monitor resolution and convey a quick understanding of building conditions
- Customizable graphics, schedules, trends, reports, and alarms
- Powerful reporting engine supports pre-built and customizable reports
- Plug and play connectivity with both factory and field-installed i-Vu®/CCN controllers
- Built-in ACxelerate™ VAV Auto-Commissioning tool
- Haystack-compatible semantic tagging automatically assigns standard reference names to equipment data
- BACnet/SC ready to support secure BAS infrastructures once BACnet/SC hardware is also available (future)
- Ready to support IPv6 once IPv6 Router is also available (future)
- Unlimited simultaneous users
- Easily integrates to third-party building systems and software using BACnet, Modbus® and LonWorks® protocols
- Multiple versions available to fit any size building or campus



i-Vu® Building Automation System

i-Vu 8.0 Pro



Client Requirements

Mobile Devices Smart phones Android™, iOS
Tablets: Android, iOS, Surface™

Browsers	A computer with this operating system	Supports these web browsers
	Windows	Google™ Chrome™ v84.0 or later Microsoft® Edge v84 or later Mozilla® Firefox® v79.0 or later
	Mac OS (Apple Mac only)	Safari® v11 or later Google Chrome v84.0 or later Mozilla Firefox v79.0 or later
	Linux	Google Chrome v84.0 or later Mozilla Firefox v79.0 or later

Server Requirements (Server sold separately)

Specs	Quad core processor, 4G RAM, 100Mbps or higher LAN communications Supports PCs running Windows and Apple (Mac) PCs running Mac OS X		
OS	The following operating systems in 64-bit versions: Windows 10 Professional and Enterprise Windows 8 Professional and Enterprise Windows Server 2019 Windows Server 2016 Windows Server 2012 R2		
Database	The i-Vu Pro® v8.0 system supports the following and database engines are sold separately: Apache Derby (default database engine-included with purchase) SQL Server® Express 2019, 2017, 2016 SQL Server 2019, 2017, 2016 Oracle 12c MySQL 5.7.2 and 8.0 PostgreSQL 9.4 through 12		
Security	Supports TLS (Transport Layer Security) v1.3 with 256 bit encryption between client and i-Vu server Bacnet Secure Connect (BACnet/SC) secure, encrypted datalink layer		
Supports	Unlimited simultaneous users Communication to field controllers via BACnet (TCP/IP)		
Languages	International English, Brazilian Portuguese, Dutch, Finnish, French, French Canadian, German, Italian, Japanese, Korean, Norwegian, Russian, Simplified Chinese, Swedish, Thai, Traditional Chinese, Vietnamese		
BACnet	Advanced Operator Workstation (B-AWS) supporting BACnet Revision 19		
Part Numbers	CIV-OPNPR5	i-Vu 8.0 Pro-5	5 Controllers Maximum
	CIV-OPNPR32	i-Vu 8.0 Pro-32	32 Controllers Maximum
	CIV-OPNPR	i-Vu 8.0 Pro-750	750 Controllers Maximum
	CIV-OPNPRUL	i-Vu 8.0 Pro Unlimited	Unlimited Controllers

