

# Installation Instructions

## Horizontal/High Static Drain Kit


KFAHC0101AAA  
KFAHC0125AAA

**NOTE:** Read the entire instruction manual before starting the installation.

### SAFETY CONSIDERATIONS

Improper installation, adjustment, alteration, service, maintenance, or use can cause explosion, fire, electrical shock or other conditions which may cause personal injury or property damage. Consult a qualified installer, service agency, or your distributor or branch for information or assistance. The qualified installer or agency must use factory-authorized kits or accessories when modifying this product. Refer to the individual Installation Instructions packaged with the kits or accessories.

Follow all safety codes. Wear safety glasses and work gloves. Use quenching cloth for brazing operations. Have a fire extinguisher available. Read these instructions thoroughly and follow all warnings or cautions attached to unit. Consult local building codes and National Electrical Code (NEC) for special installation requirements.

Recognize safety information. This is the safety-alert symbol . When you see this symbol on the unit or in instructions or manuals, be alert to the potential for personal injury.

Understand the signal words DANGER, WARNING, CAUTION, and NOTE. The words DANGER, WARNING, and CAUTION are used with the safety-alert symbol. DANGER identifies the most serious hazards which **will** result in severe personal injury or death. WARNING signifies hazards which **could** result in personal injury or death. CAUTION is used to identify unsafe practices which **would** result in minor personal injury, or product and property damage. NOTE is used to highlight suggestions which **will** result in enhanced installation, reliability, or operation.

---

#### **WARNING: ELECTRICAL SHOCK HAZARD**

Failure to follow this warning could result in personal injury or possible equipment damage.

Before beginning any installations or modifications, be sure the main electrical disconnect switch is in the OFF position. Tag the disconnect switch with a suitable warning label.

---

### INTRODUCTION

This instruction covers the installation of this drain kit on models FA, FB, FC, FH, FK, FX, FV, and PF1M fan coils. This kit is required to help retain performance when the fan coil is in the horizontal position and high static and or sweat conditions are present.

### DESCRIPTION AND USAGE

This drain kit is used in conjunction with horizontal conversion (left/right) airflow on the air seal of A-Fan Coils. In the case of converting to a horizontal right airflow, a gasket kit (kit # KFAHD0101SLP) is required. The KFAHC0125AAA kit contains 25 KFAHC0101AAA kits in a carton package.

---

#### **CAUTION: UNIT OPERATION HAZARD**

Failure to follow this caution may result in equipment damage or improper operation.

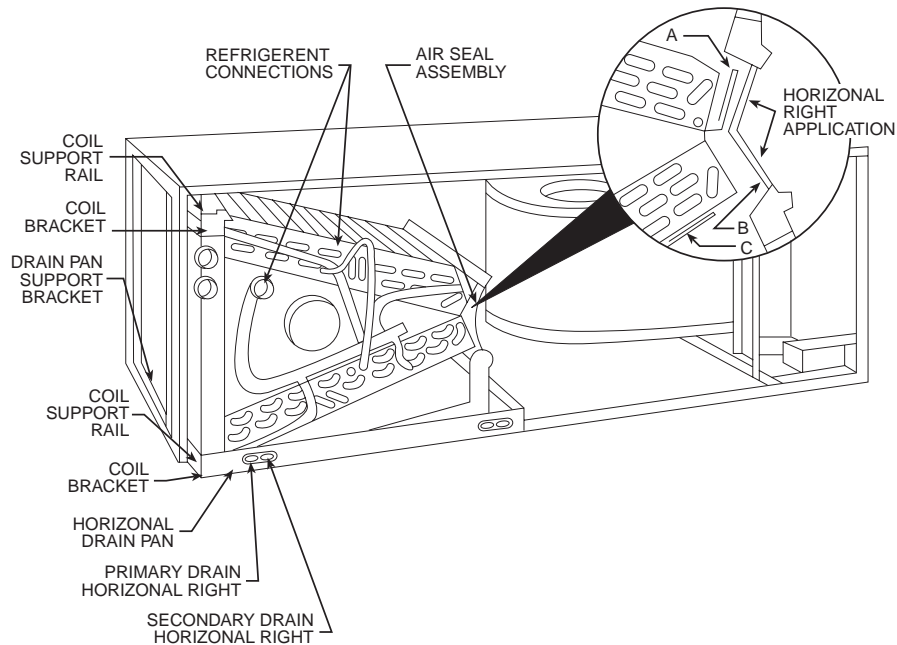
For optimum condensate drainage performance in horizontal installations, unit should be leveled along its length and width.

---

### INSTALLATION

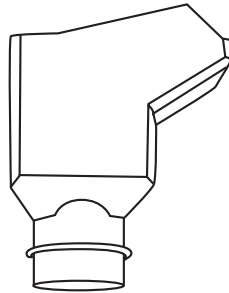
1. Remove Coil from housing. Consult indoor unit literature for assistance.
  - a. Remove blower and coil access panels (See Fig. 1)
  - b. Remove metal clip securing panel to condensate pan. Remove fitting panel.
  - c. Remove 2 snap-in clips securing A-coil unit.
  - d. Slide coil and pan assembly out of unit.
2. Remove air seal by removing 4 screws (See Fig. 1).
3. Remove condensate trough on rear of coil and discard.
4. Remove unused drain fitting on the air seal by removing screw (See Fig. 2).

**NOTE:** DO NOT discard screw. It will be used in Step 13.



**Fig. 1 — A-Coil in Horizontal Left Application (factory ready)**

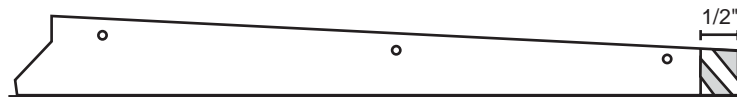
A05033



**Fig. 2 — Unused Drain Fitting**

A05034

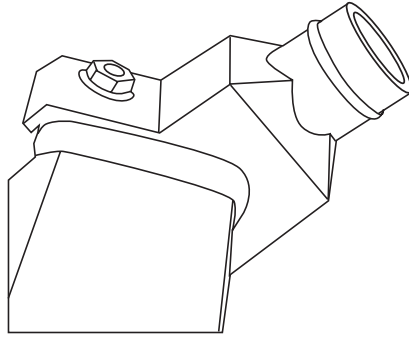
5. Remove rubber cap on the lower end of the air seal.
6. Notch air seal by trimming 0.5" off the rear lip of the air seal to give proper drainage (See Fig. 3).



**Fig. 3 — Trim Section Shown on Air Seal**

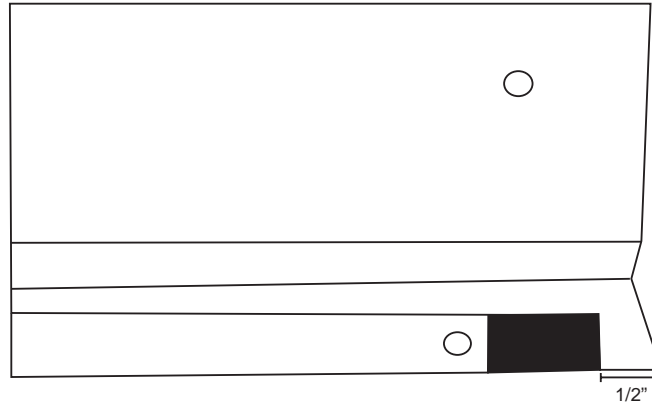
A05035

7. Dry fit drain fitting on rear of air seal so that it is snug against side and bottom of the air seal. It is important that the drain fitting forms a seal with the gasket supplied (See Fig. 4). Mark the hole so that it will be tight with the gasket that will be applied in Step 9. The hole will be located just below the sheet metal bend.
8. Drill pilot hole with 1/8" size drill bit.
9. Apply gasket supplied in drain kit so that it will form a seal between the drain fitting and air seal (See Fig. 5).



**Fig. 4 — Fitting is Tight With the Gasket**

A05036



**Fig. 5 — Gasket Shown on Air Seal**

A05037

10. Reattach the drain fitting with the 5/16" hex head screw that was removed in Step 7.
11. Reattach air seal to coil.
12. Slide coil assembly back into casing. Be sure coil bracket on each corner of vertical pan engages support rails.
13. Reinstall 2 snap-in clips to correctly position and secure coil assembly in the unit. Be sure clip with large offsets is used on the correct side of the unit to secure the horizontal drain pan.
14. Install the threaded plugs supplied in kit in the unused drain holes.
15. Reinstall access and fitting panel, aligning holes with tubing connections. Be sure to reinstall metal clip between fitting panel and vertical condensate pan.
16. Make sure liquid and vapor tube grommets are in place to prevent air leaks and cabinet sweating.
17. Reattach condensate drain and liquid and vapor lines. Make sure all traps are primed.
18. Put the system into a vacuum.
19. Check for leaks.
20. If there are no leaks, release refrigerant into system and turn power on.

