

Specification

Compression Type	Scroll Compressor	Refrigerant	R410A
Speed	Fixed	Power Source	208-230V / 60Hz
Application1	Air conditioning - Unitary	Application2	
Application3		Application4	
Application5			

Performance

Capacity[BTU/HR]	28,800	Input [Watts]	2743
EER[BTU/W.HR]	10.50	Noise [dB]	71
Vibration [um]	30	RPM	

Mechanical

Displacement [cm3 / rev]	27.67	Weight [kg]	23.5 kg
Compressor Cooling			

Electrical

Starting Capacitor [MFD/VAC]		Running Current	
Protection Type	Internal OLP	Max Continuous Current [A]	21.2
Lock Rotor Ampere [A]	79	Running Capacitor [MFD/VAC]	45/370
Rated Revolution		Max Continuous Ampere	
Max Operation Current		OLP	
Capacitor		Motor Type	
Starting Torque			

Test Condition	ARI		
Evaporating Temperature[°C]		Condensing Temperature[°C]	
Subcooled Temperature[°C]		Superheated Temperature[°C]	
Ambient Temperature[°C]			°

Standard	UL		
----------	----	--	--

Performance

RATING CONDITIONS 20 °F Superheat 15 °F Sub Cooling 95 °F Ambient Air Over 60Hz Operation	RATED PERFORMANCE SCROLL COMPRESSOR APG029KA R410A	
--	---	--

CAPACITY (BTU/HR)

Condensing Temperature		Evaporating Temperature °F (°C)									
		-10	-5	0	10	20	30	40	45	50	55
°F	(°C)	(-23)	(-20.5)	(-17.7)	(-12.2)	(-6.7)	(-1.1)	(4.4)	(7.2)	(10.0)	(12.8)
80	(26.7)	12,253	13,800	15,500	19,400	24,200	29,800	36,300	39,800	43,600	47,600
90	(32.2)	11,300	12,800	14,400	18,300	22,900	28,300	34,600	38,000	41,700	45,600
100	(37.8)	10,200	11,600	13,200	16,900	21,300	26,600	32,600	35,900	39,500	43,300
110	(43.3)			11,900	15,400	19,700	24,700	30,500	33,700	37,088	40,700
115	(48.9)				14,700	18,800	23,700	29,300	32,500	35,800	39,400
130	(54.4)					16,300	20,700	26,000	28,900	32,000	35,300
140	(60.0)						18,900	23,800	26,500	29,500	32,600
150	(65.6)							21,800	24,300	27,100	30,000

EER (BTU/WATT-HR)

Condensing Temperature		Evaporating Temperature °F (°C)									
		-10	-5	0	10	20	30	40	45	50	55
°F	(°C)	(-23)	(-20.5)	(-17.7)	(-12.2)	(-6.7)	(-1.1)	(4.4)	(7.2)	(10.0)	(12.8)
80	(26.7)	8.0	9.0	10.2	12.8	16.2	20.7	26.3	29.7	33.8	38.7
90	(32.2)	6.6	7.4	8.4	10.7	13.6	17.0	21.4	24.1	27.1	30.4
100	(37.8)	5.2	5.9	6.8	8.8	11.1	14.0	17.5	19.6	21.9	24.5
110	(43.3)			5.3	7.0	9.0	11.4	14.4	16.0	17.9	20.0
115	(48.9)				6.2	8.1	10.3	12.9	14.4	16.1	18.0
130	(54.4)					5.7	7.3	9.4	10.5	11.8	13.2
140	(60.0)						5.8	7.5	8.5	9.5	10.7
150	(65.6)							6.0	6.8	7.7	8.6

POWER (WATTS)

Condensing Temperature		Evaporating Temperature °F (°C)									
		-10	-5	0	10	20	30	40	45	50	55
°F	(°C)	(-23)	(-20.5)	(-17.7)	(-12.2)	(-6.7)	(-1.1)	(4.4)	(7.2)	(10.0)	(12.8)
80	(26.7)	1,530	1,530	1,520	1,510	1,490	1,440	1,380	1,340	1,290	1,230
90	(32.2)	1,720	1,720	1,720	1,710	1,690	1,660	1,620	1,580	1,540	1,500
100	(37.8)	1,960	1,950	1,950	1,930	1,920	1,900	1,860	1,830	1,800	1,770
110	(43.3)			2,230	2,210	2,180	2,160	2,120	2,100	2,074	2,040
115	(48.9)				2,360	2,330	2,300	2,270	2,250	2,220	2,190
130	(54.4)					2,870	2,820	2,770	2,740	2,710	2,670
140	(60.0)						3,240	3,170	3,130	3,090	3,050
150	(65.6)							3,640	3,590	3,540	3,490

CURRENT (AMPS) @ 230 VOLTS

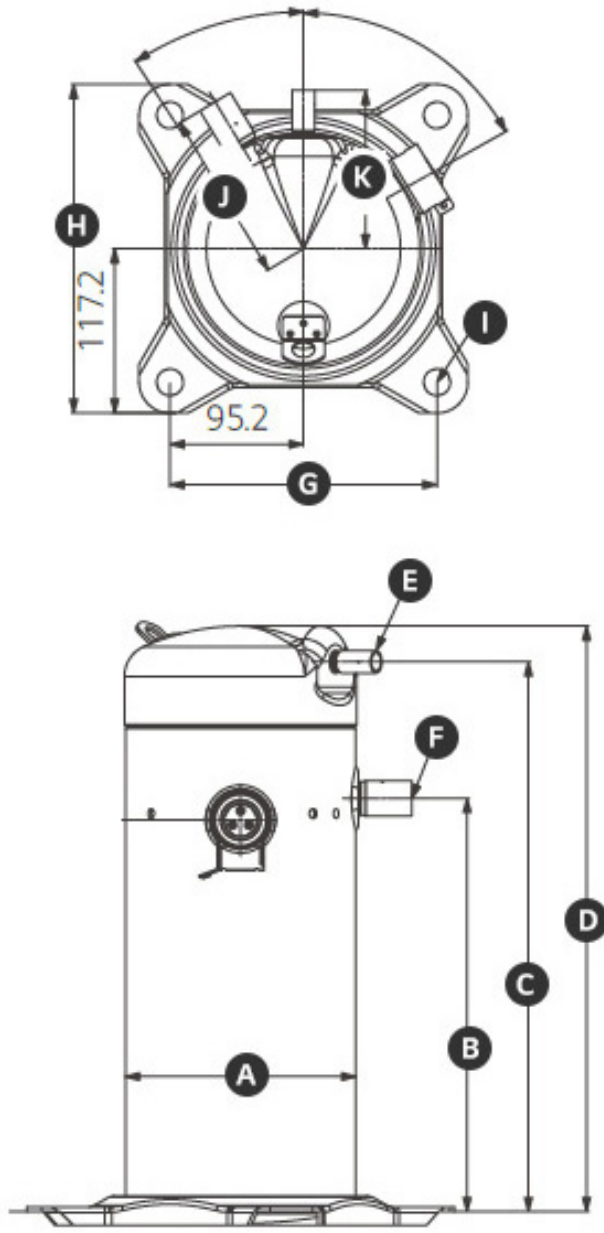
Condensing Temperature		Evaporating Temperature °F (°C)									
		-10	-5	0	10	20	30	40	45	50	55
°F	(°C)	(-23)	(-20.5)	(-17.7)	(-12.2)	(-6.7)	(-1.1)	(4.4)	(7.2)	(10.0)	(12.8)
80	(26.7)	7.1	7.1	7.1	6.8	6.4	6.1	5.9	5.9	6.0	6.3
90	(32.2)	7.9	8.0	7.9	7.7	7.3	7.0	6.8	6.8	6.9	7.1
100	(37.8)	9.0	9.0	9.0	8.8	8.5	8.1	7.9	7.9	7.9	8.1
110	(43.3)			10.4	10.1	9.8	9.4	9.1	9.1	9.1	9.2
115	(48.9)				10.9	10.5	10.1	9.8	9.7	9.7	9.8
130	(54.4)					13.0	12.5	12.1	11.9	11.8	11.8
140	(60.0)						14.3	13.7	13.5	13.4	13.3
150	(65.6)							15.6	15.3	15.0	14.9

MASS FLOW (LBS/HR)

Condensing Temperature		Evaporating Temperature °F (°C)									
		-10	-5	0	10	20	30	40	45	50	55
°F	(°C)	(-23)	(-20.5)	(-17.7)	(-12.2)	(-6.7)	(-1.1)	(4.4)	(7.2)	(10.0)	(12.8)
80	(26.7)	147.0	160.0	180.0	230.0	280.0	340.0	410.0	450.0	490.0	530.0
90	(32.2)	140.0	160.0	180.0	220.0	280.0	340.0	410.0	450.0	490.0	530.0
100	(37.8)	140.0	150.0	170.0	220.0	270.0	330.0	400.0	440.0	490.0	530.0
110	(43.3)			160.0	210.0	260.0	330.0	400.0	440.0	480.0	520.0
115	(48.9)				200.0	260.0	320.0	390.0	430.0	480.0	520.0
130	(54.4)					250.0	310.0	380.0	420.0	470.0	510.0
140	(60.0)						300.0	380.0	420.0	460.0	500.0
150	(65.6)							370.0	410.0	450.0	500.0

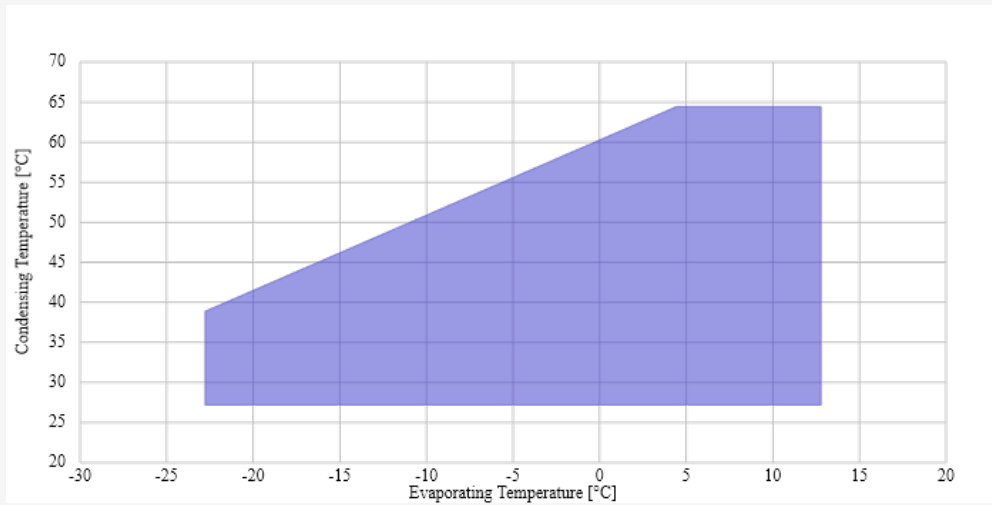
Nominal Performance Values (±5%) based on minimum 72 hours run-in. Subject to change without notice.

Drawing



A(∅)	144.2
B(mm)	263
C(mm)	362
D(mm)	385
E(I.D ∅)	12.7-12.9
F(I.D ∅)	19.1-19.3
G(mm)	190.5
H(mm)	234.5
I(∅)	19

Operation Envelop



R410A